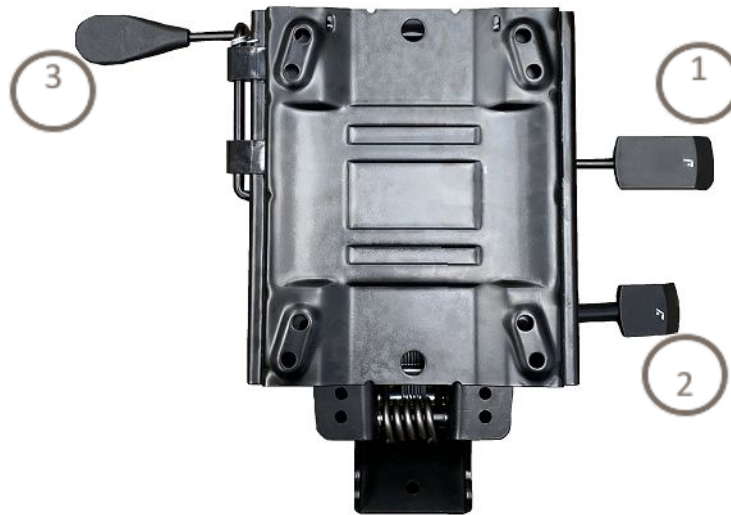


PSA5 mechanism with seat slider operating instructions



Top view (as seated)

- ① **Seat height adjustment:**
Lift tab up to adjust seat height
- ② **Back tilt adjustment:**
Lift tab to unlock tilt, release tab to lock tilt
- ③ **Seat slider adjustment:**
Lift tab up to allow adjustment, release tab to lock position