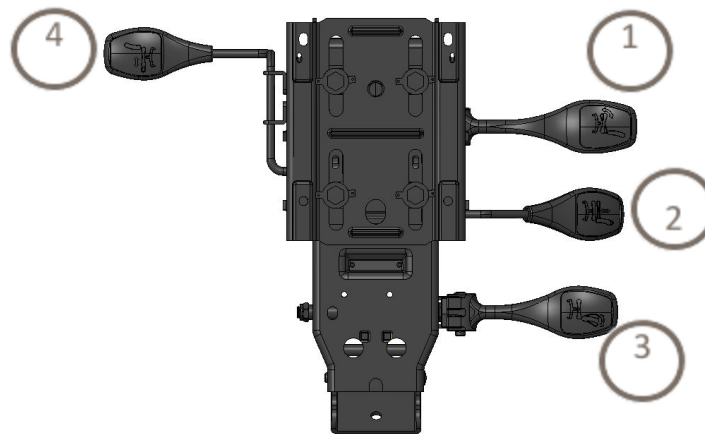
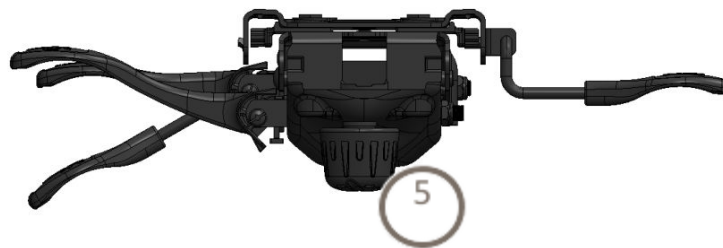


## MSA2 mechanism operating instructions



Top view (as seated)



Front view (as facing chair)

- ① **Seat angle adjustment:**  
Lift lever up to allow movement of seat angle, push lever down to lock in place
- ② **Seat height adjustment:**  
Lift lever up to allow adjustment
- ③ **Back angle adjustment:**  
Lift lever up to allow movement of back angle, push lever down to lock in place
- ④ **Seat slider adjustment:**  
Lift lever up to allow the seat to slide forward and backwards, release lever to lock
- ⑤ **Back tension adjustment:**  
Turn knob clockwise to increase tension, turn counterclockwise to lessen tension