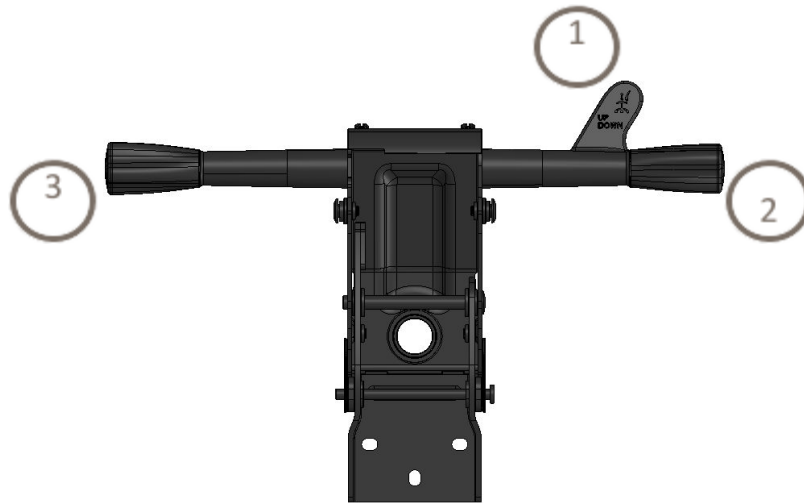


## STT8 mechanism operating instructions



Top view (as seated)

- ① **Seat height adjustment:**  
Lift tab up to adjust seat height
- ② **Back tension adjustment:**  
Turn knob clockwise to increase tension, turn counterclockwise to lessen tension
- ③ **Back tilt adjustment:**  
Turn knob clockwise to unlock tilt, turn counterclockwise to lock tilt