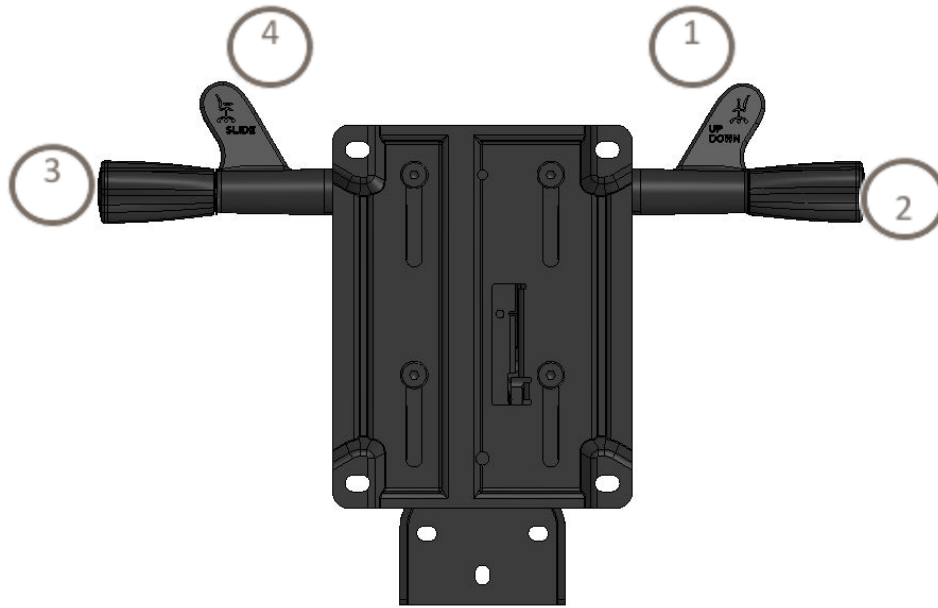


STT8 mechanism with SS3 seat slider operating instructions



Top view (as seated)

- ① **Seat height adjustment:**
Lift tab up to adjust seat height
- ② **Back tension adjustment:**
Turn knob clockwise to increase tension, turn counterclockwise to lessen tension
- ③ **Back tilt adjustment:**
Turn knob clockwise to unlock tilt, turn counterclockwise to lock tilt
- ④ **Seat slider adjustment:**
Lift tab up to allow adjustment, release tab to lock position