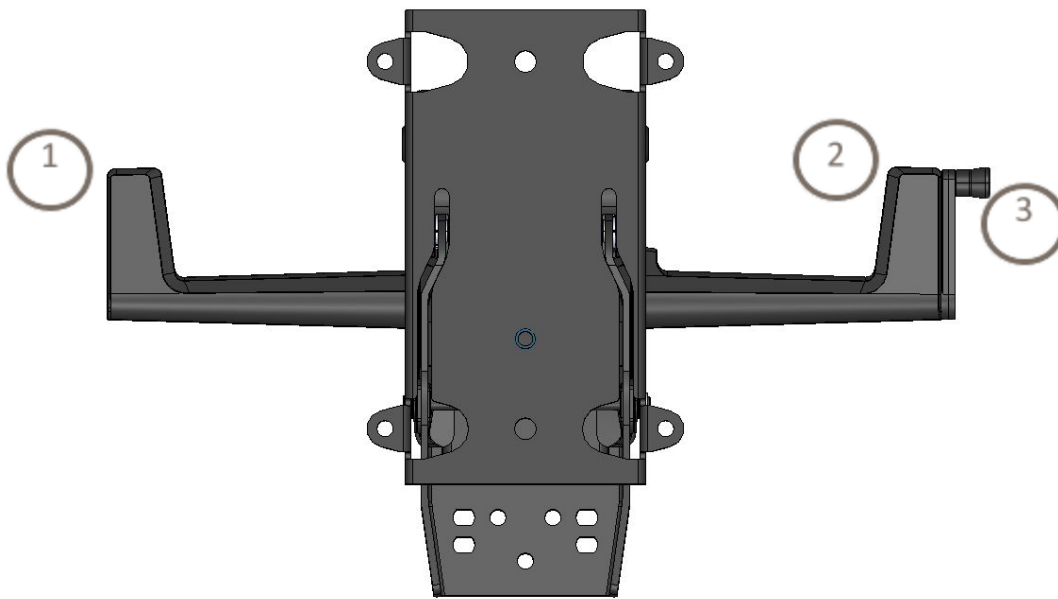


## 68016/68017 mechanism operating instructions



Top view (as seated)

- ① **Back tilt adjustment:**  
Lift tab up to release tilt, push tab down to lock tilt
- ② **Seat height adjustment:**  
Lift tab up to adjust seat height
- ③ **Back tension adjustment:**  
Pull knob straight out then turn clockwise to tighten, turn counterclockwise to loosen, then push knob back in when complete