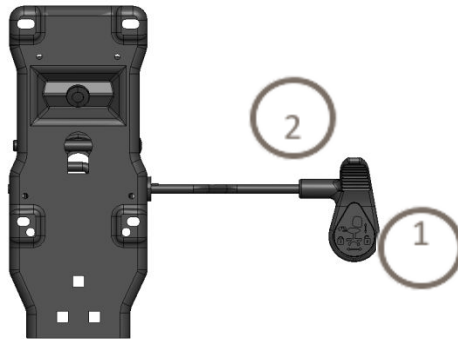
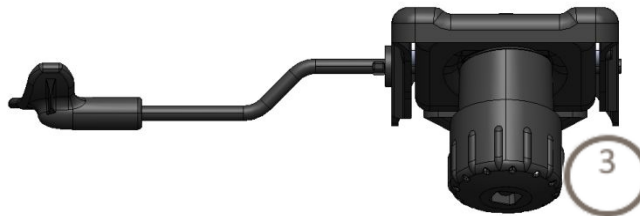


SWT2 mechanism operating instructions



Top view (as seated)



Front view (as facing chair)

- ① **Seat height adjustment:**
Lift tab up to adjust seat height
- ② **Back tilt adjustment:**
Pull rod out to allow tilt, push rod back in to lock tilt
- ③ **Back tension adjustment:**
Turn knob clockwise to increase tension, turn counterclockwise to lessen tension