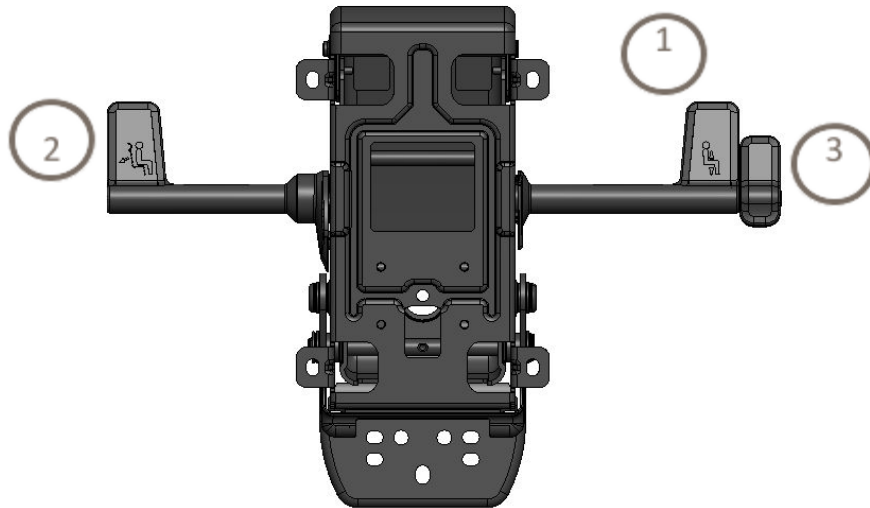


BDB3 mechanism operating instructions



Top view (as seated)

- ① **Seat height adjustment:**
Lift tab up to adjust seat height
- ② **Back tilt adjustment:**
Push the paddle down to the first position, this will allow the back to lean freely
Lifting the paddle up to the second position allows the back to go to the maximum angle
Lifting the paddle up to the highest position will lock the back upright
- ③ **Back tension adjustment:**
Turn clockwise to increase tension, turn counterclockwise to lessen tension