

Electric Height Adjustable Tables

ASSEMBLY INSTRUCTIONS

OFS BRANDS

Electric Height Adjustable Tables

ASSEMBLY INSTRUCTIONS

REQUIRED TOOLS



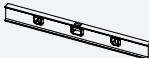
Cordless Screwdriver



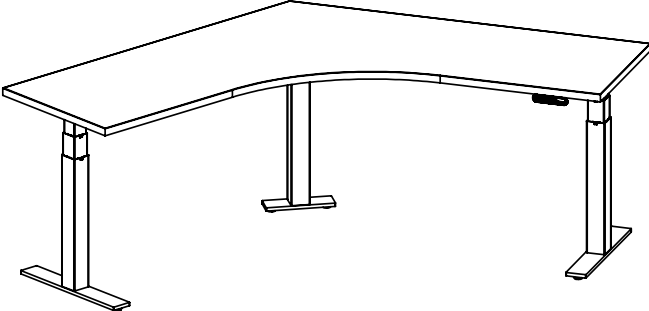
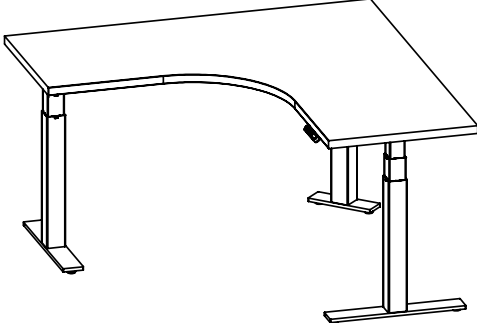
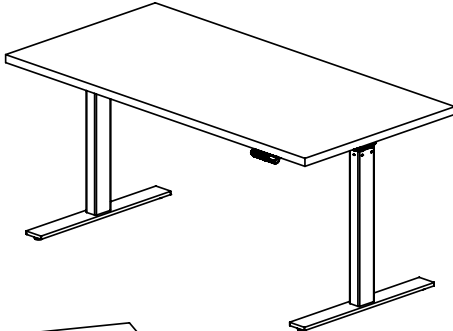
5mm Allen Wrench



1/2" Wrench



Level



Electric Height Adjustable Tables

ASSEMBLY INSTRUCTIONS

IMPORTANT SAFETY INSTRUCTIONS

When using an electrical furnishing, basic precautions should always be followed, including the following:

This furnishing is made for commercial use only.

Read all instructions before using this furnishing:

DANGER - To reduce the risk of electrical shock:

1. Always unplug this furnishing from the electrical outlet before cleaning.

WARNING - To reduce the risk of burns, fire, electric shock, or injury to persons:

1. Unplug from outlet before putting on or taking off parts.
2. Close supervision is necessary when this furnishing is used by, or near children, invalids, or disabled persons.
3. Use the furnishing only for its intended use as described in these instructions. Do not use attachments not recommended by the manufacturer.
4. Never operate this furnishing if it has a damaged cord or plug, if it is not working properly, if it has been dropped or damaged, or dropped in water. Return the furnishing to a service center for examination and repair.
5. Keep the cord away from heated surfaces.
6. Do not use outdoors.
7. Use only SJT 18 AWG cord.
8. Risk of injury. Maximum load 75 pounds.

To reduce the risk of electric shock, this furnishing has a polarized plug (one blade is wider than the other). This plug will fit in a polarized outlet only one way. If the plug does not fit fully in the outlet, reverse the plug. If it still does not fit, contact a qualified electrician to install the proper outlet. Do not change the plug in any way.

Note - servicing is only to be performed by an authorized representative.

SERVICING OF DOUBLE-INSULATED PRODUCTS

In a double-insulated product, two systems of insulation are provided instead of grounding. No grounding means is provided on a double-insulated product, nor is a means for grounding to be added to the product. Servicing a double-insulated product requires extreme care and knowledge of the system, and is to be done only by qualified service personnel. Replacement parts for a double-insulated product must be identical to the parts they replace. A double-insulated product is marked with the words "DOUBLE INSULATION" OR "DOUBLE INSULATED". The symbol (square within a square) is also able to be marked on the product.

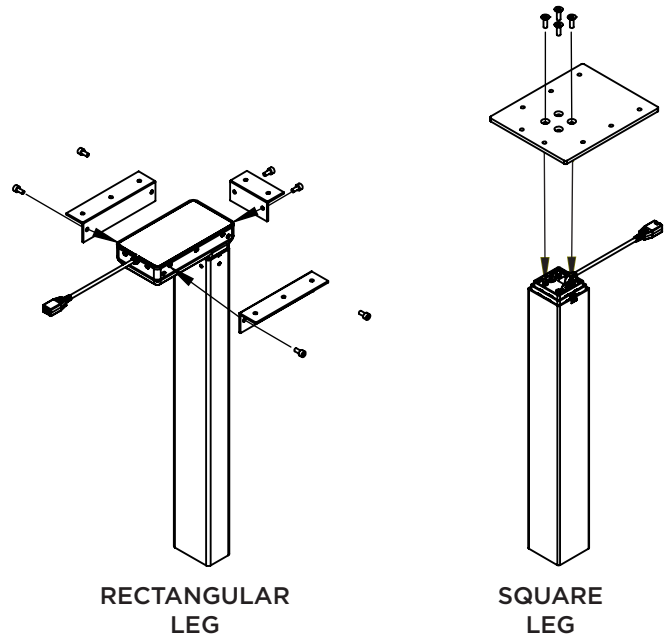
SAVE THESE INSTRUCTIONS

Electric Height Adjustable Tables

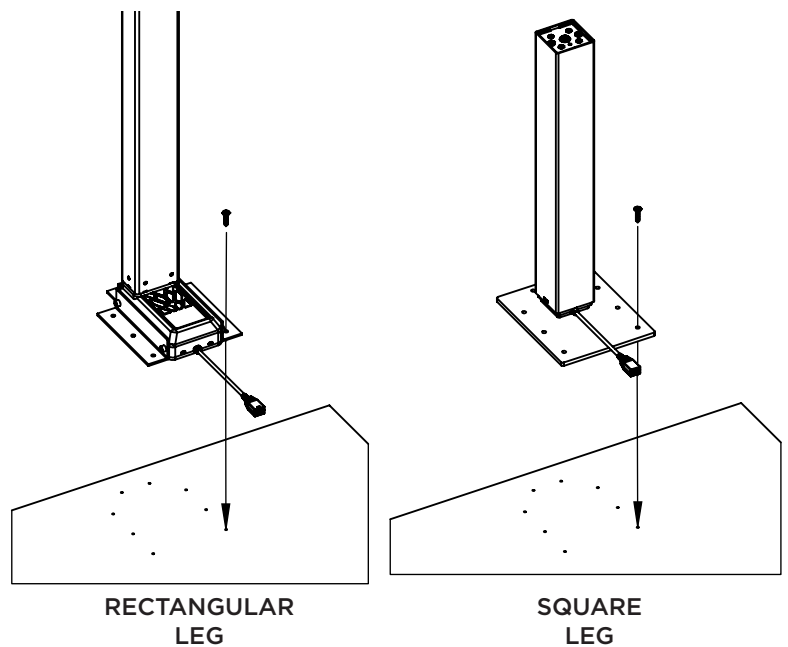
ASSEMBLY INSTRUCTIONS

Rectangular or Square Columns

1. Attach mounting hardware to top of columns.
2. Use (6) M6 x 12MM socket head cap screws, per column, to attach L-brackets to the motor housing on the rectangular column using a 5mm allen wrench.
3. Use (4) M6 x 16MM flat head cap screws, per column, to attach mounting plate to top of column using a 5mm allen wrench.

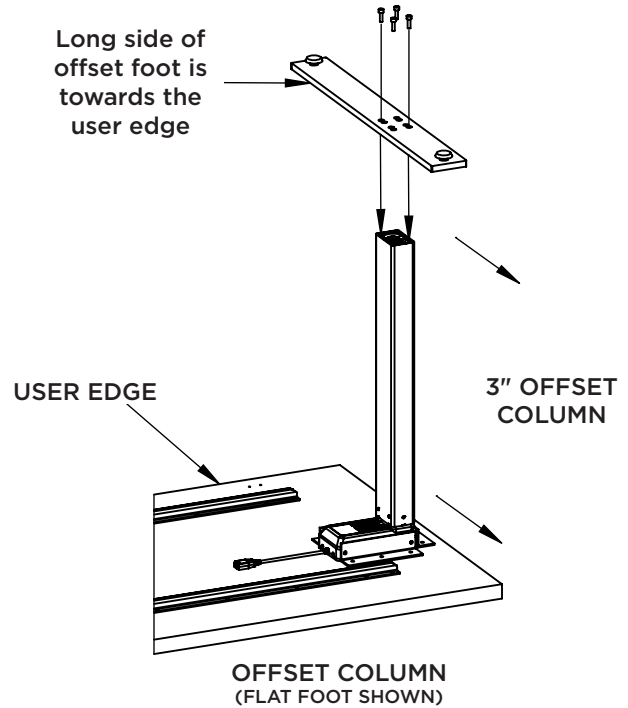
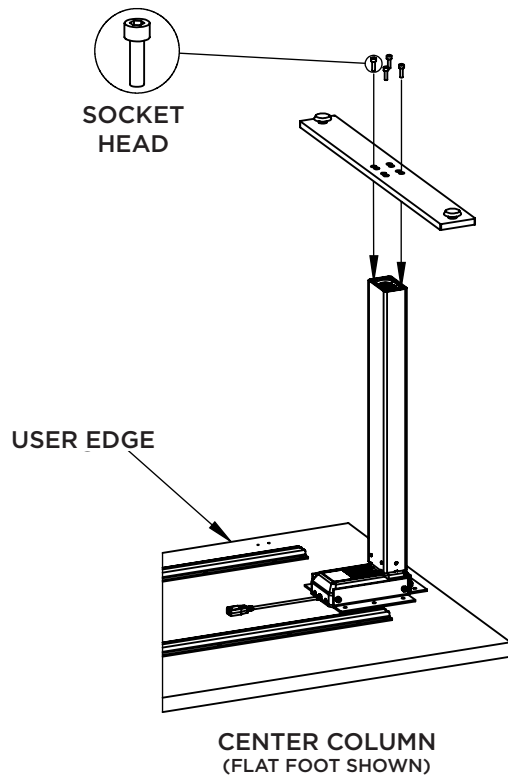


4. Place worksurface bottom side up on a non-marring surface.
5. Align holes on mounting plate with pre-drilled holes on bottom side of worksurface.
6. Using a phillips head on the cordless screwdriver, fasten mounting hardware to worksurface using (8) #12 X 1" truss head screws per column.



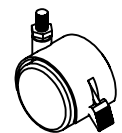
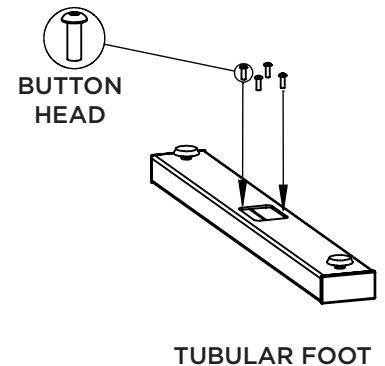
Electric Height Adjustable Tables

ASSEMBLY INSTRUCTIONS



Rectangular or Square Columns

1. Align bolt holes in feet with threaded holes in the bottom of columns. Feet are bored so they work with rectangular columns or square columns.
2. Attach flat feet to columns using (4) M6 x 20MM socket head cap screws per column using a 5mm allen wrench.
3. Attach tubular feet to columns using (4) M6 x 16MM button head cap screws per column using a 5mm allen wrench.
4. If using optional casters, remove levelers from feet and screw in casters. Use a 1/2" wrench to tighten casters.



OPTIONAL CASTER

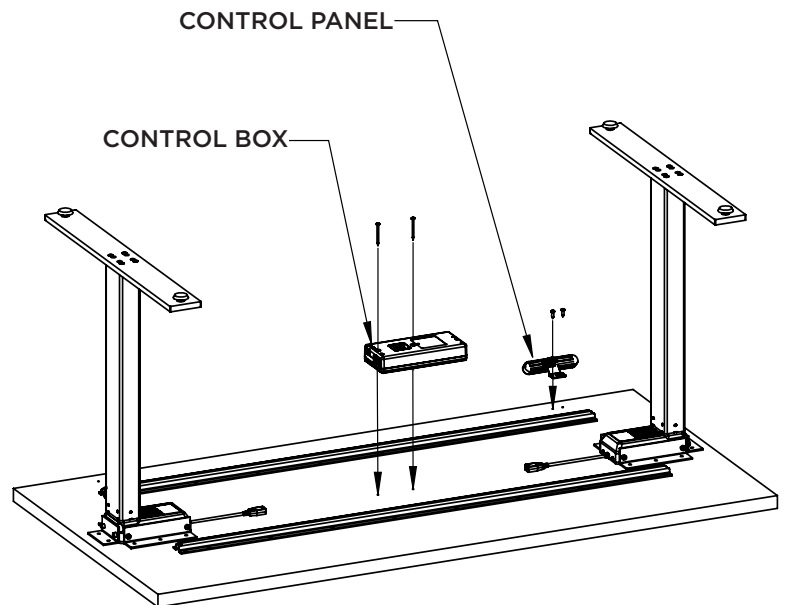
FOR CORNER UNIT AND 120° TABLES, TURN TO PAGE 8.

Electric Height Adjustable Tables

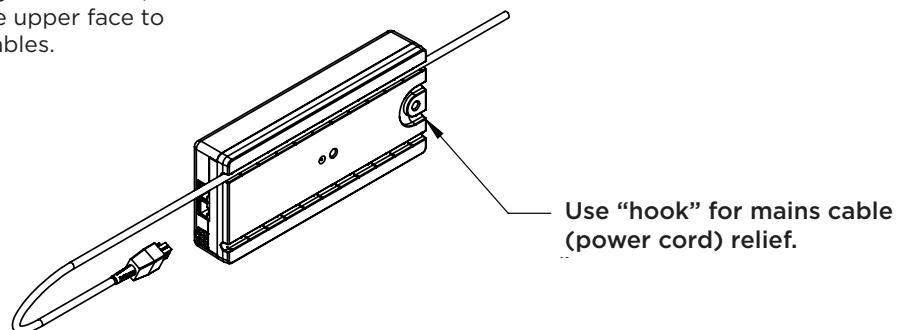
ASSEMBLY INSTRUCTIONS

Rectangular or Square Columns RECTANGULAR TOPS

1. Align two thru holes in control box with pre-drilled holes on bottom side of worksurface.
2. Use (2) #8 x 2" pane head screws to secure to worksurface.
3. To attach control panel, determine if control panel is to be on the left or right side of the worksurface.
4. Align control panel mount plate with pre-drilled holes.
5. Use (2) X8 x 5/8" pan head screws to secure to worksurface.



NOTE: When attaching control box, use the grooves on the upper face to help manage motor cables.

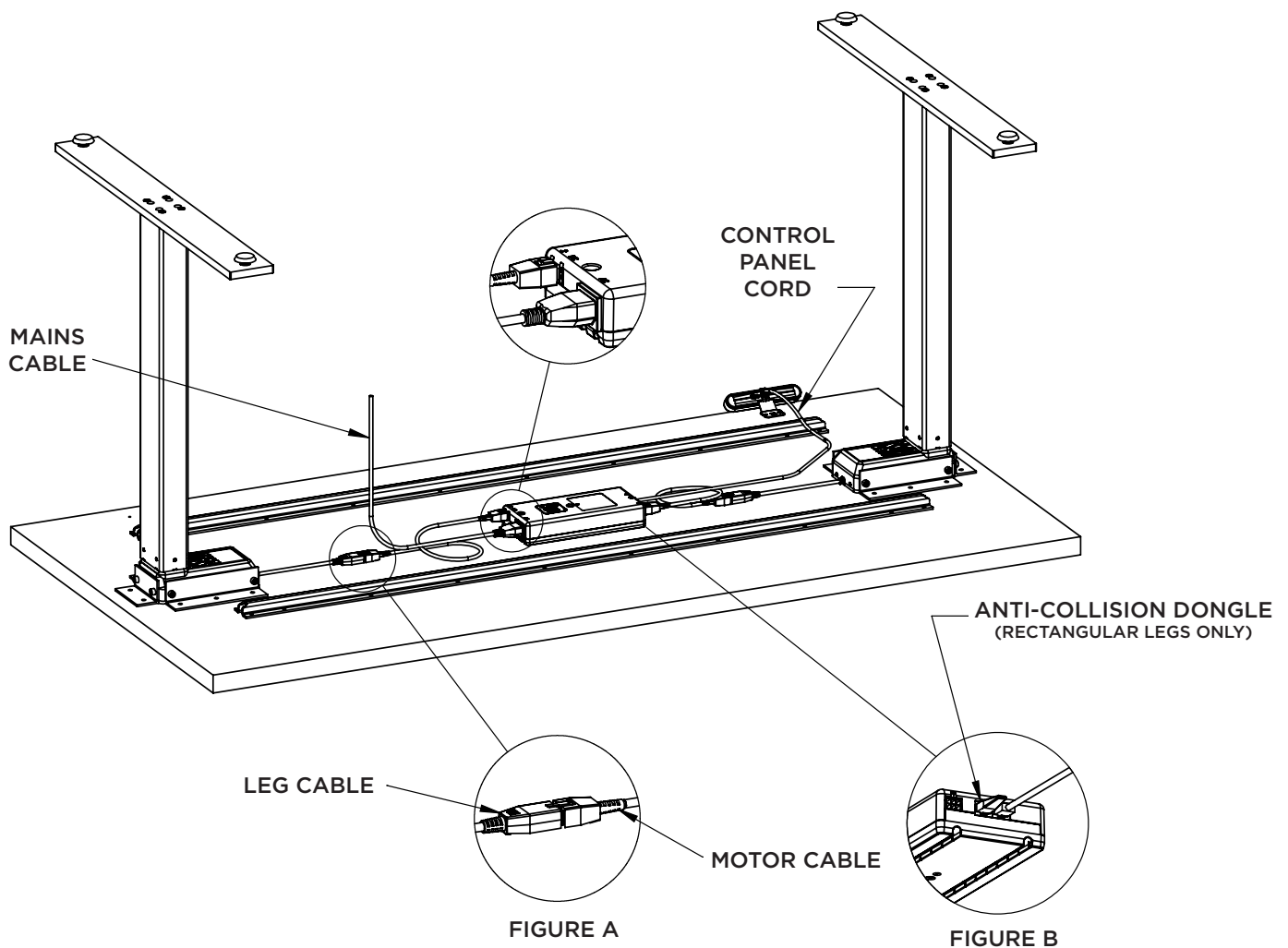


Electric Height Adjustable Tables

ASSEMBLY INSTRUCTIONS

Rectangular or Square Columns RECTANGULAR TABLES

1. Snap together motor cable ends and leg cables. (Figure A)
2. Plug the other end of the motor cable to the control box.
3. Plug control panel cord into control box.
4. Install anti-collision dongle next to control panel cord. (Figure B) (Rectangular legs only)
5. Last, plug in mains cable to control box.
6. Secure cables using provided cord clips and velcro strips.

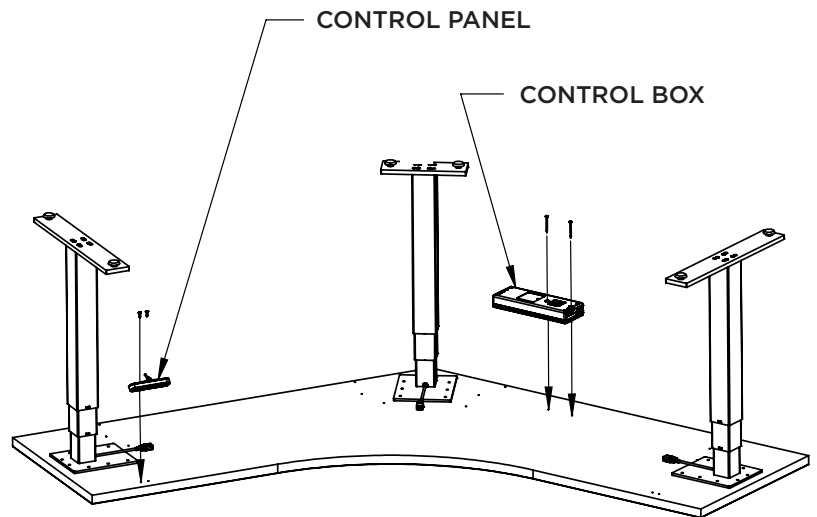


Electric Height Adjustable Tables

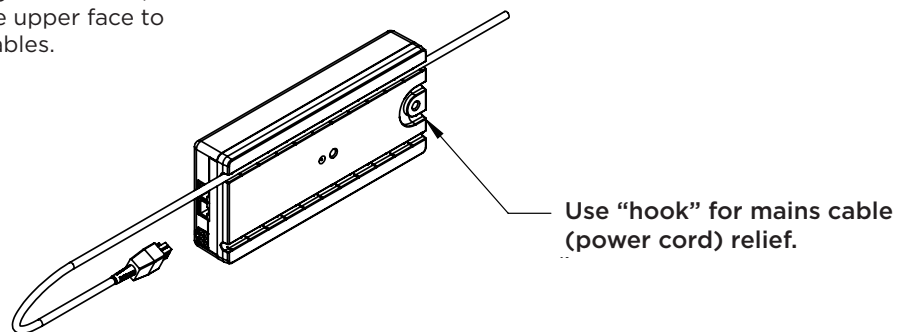
ASSEMBLY INSTRUCTIONS

Rectangular or Square Columns CORNER UNIT + 120° TOPS

1. Align two thru holes in control box with pre-drilled holes on bottom side of worksurface.
2. Use (2) #8 x 2" pan head screws to secure to worksurface.
3. To attach control panel, determine if control panel is to be on the left or right side of the worksurface.
4. Align control panel mount plate with pre-drilled holes.
5. Use (2) X8 x 5/8" pan head screws to secure to worksurface.



NOTE: When attaching control box, use the grooves on the upper face to help manage motor cables.

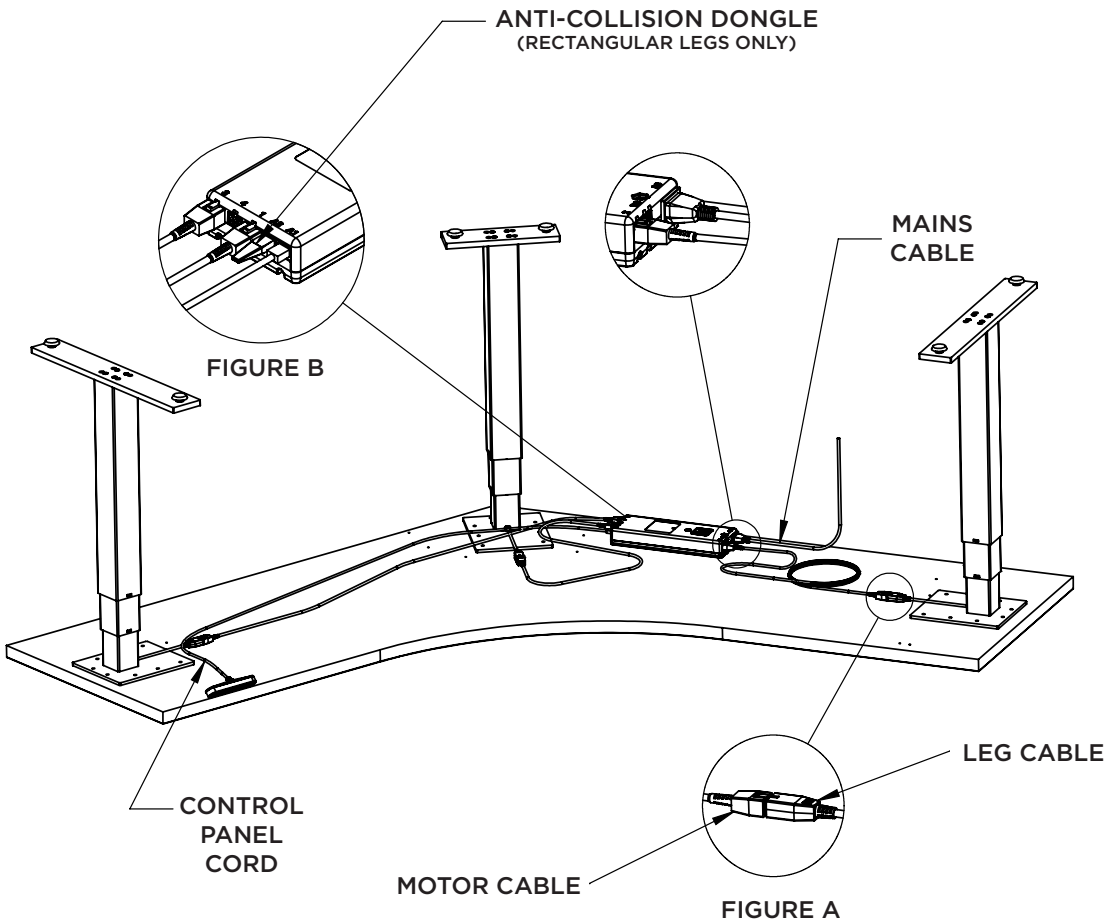


Electric Height Adjustable Tables

ASSEMBLY INSTRUCTIONS

Rectangular or Square Columns CORNER UNIT + 120° TOPS

1. Snap together motor cable ends and leg cables. (Figure A)
2. Plug the other end of the motor cable to the control box.
3. Plug control panel cord into control box.
4. Install anti-collision dongle next to control panel cord. (Figure B) (Rectangular legs only)
5. Last, plug in mains cable to control box.
6. Secure cables using provided cord clips and velcro strips.

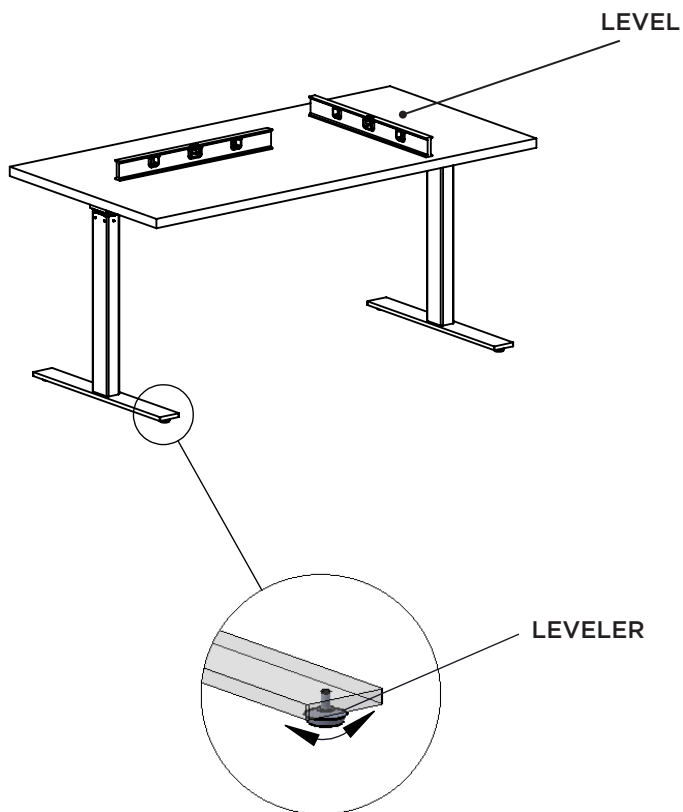


Electric Height Adjustable Tables

ASSEMBLY INSTRUCTIONS

Rectangular or Square Columns

1. Table must be completely leveled before use.
2. Adjust levelers by turning them in or out.
3. Table must be level from side to side and front to back.



Electric Height Adjustable Tables

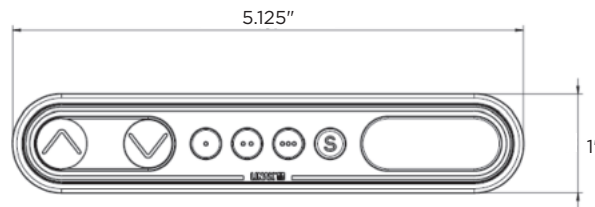
OPERATING INSTRUCTIONS

BASIC HEIGHT ADJUSTABLE FUNCTIONS:

- ∧ = Parallel up
- ∨ = Parallel down

- S = Store memory

- = Memory 1
- = Memory 2
- = Memory 3



RAISING AND LOWERING YOUR DESK

Just activate either the up or down button for parallel drive and the system will drive until the button is released again or the system reaches end position.

CAUTION: The use of optional modesty panels mounted to this product could cause an entrapment hazard. The operator of this furnishing must be aware of this potential hazard and take measures to ensure their own safety, along with the safety of any individual in the vicinity of this product or its optional modesty panel, during operation. These safety measures may include barriers to discourage entry into the potential hazard area.

HOW TO INITIALIZE YOUR DESK

The desk cannot drive up if it has not been initialized
If display: error code E01

How to initialize:

1. Press down key and drive to the lowest position.
Hold the key until the desk stops completely.
2. Reactivate the down key and hold the key until the desk stops completely.
Now the desk can drive up.

HOW TO STORE A MEMORY POSITION

Favorite positions e.g. for sitting and/or standing can be stored. Follow the procedure shown in the text below.

How to store:

1. Drive to the height you wish to store
2. Press "S" and then the Memory button

The position has now been stored. To recall your memory position, press the memory button until you reach the stored position.

ANTI-COLLISION (PIEZO)

For optimized safety against squeezing and blocking on a desk, LINAK has developed the DESKLIFT columns with an integrated sensor, called PIEZO. This feature is built-in to the DL17 Lifting Column, but is an add-on feature to the DL5 system. The PIEZO minimizes the risk of damages on a desk caused by squeezing or blocking of obstacles in up and down direction. Examples could be driving down into an office chair or into a container or up into a windowsill. To a certain extent, the system also increases the personal safety, but it does not comply with legislation describing personal safety.

Electric Height Adjustable Tables

OPERATING INSTRUCTIONS

TROUBLESHOOTING:

A. THE DESK DOES NOT DRIVE AT ALL

Check: Is the mains connected to the control box?

Try/Solution: Try to connect a lamp or similar to the mains supply to check that the supply voltage is OK.

Check: Are all plugs mounted correctly in the control box and to the leg?

Try/Solution: Check all connections.

Check: Are there any visible damages on cables, controls, the control box or legs?

Try/Solution: Damaged parts must be exchanged. Please contact OFS Brands, 1-800-521-5381 with attention to Lori Mundy x7262 or Ellen Tubbs x7153.

B. THE DESK CAN ONLY DRIVE DOWNWARDS

See section on "HOW TO INITIALIZE YOUR DESK".

C. THE HEIGHT IN THE DISPLAY IS NOT CORRECT

Correct the height in the display to the actual height of the desk by following the procedure shown in the text below.

How to set the height of your desk (DPF1C):

1. Measure the actual height of your desk - from floor to the upper edge of the tabletop
2. Press the up and down keys at the same time
3. A figure appears in the display
4. Use the up or down key to change the figure to the actual height

D. THE DESK WILL NOT DRIVE THE FULL STROKE UPWARDS. IT ALWAYS STOPS IN THE SAME POSITION.

The system has set a new end-stop upwards. To erase this position, the desk must be initialized again. See section on "HOW TO INITIALIZE YOUR DESK".

E. THE DISPLAY SHOWS E01 ERROR CODE INSTEAD OF THE HEIGHT

There is a malfunction in the desk. Error code E01 means that the desk must be initialized. See section on "HOW TO INITIALIZE YOUR DESK".

OTHER POSSIBLE SOLUTIONS FOR DIAGNOSTIC CODES:

- First, always initialize the desk to try and remedy the issue.
- Unplug mains cable for 15 seconds, then initialize the desk.
- Check Motor cable connections and Integrity.
- Remove any obstructions.
- Remove all loads from worksurface.

Electric Height Adjustable Tables

OPERATING INSTRUCTIONS

INTENDED USE:

This product allows the user adjustable worksurface heights in order to avoid sedentary behavior.

PRODUCT SPECIFICATIONS:

Range of adjustment with 1/8" thick worksurface:

Rectangle with flat glide: 28" - 47.625"

Rectangle with flat caster: 30" - 49.625"

Rectangle with tubular glide: 28.875" - 48.5"

Rectangle with tubular caster: 30.875" - 50.5"

Square with flat glide: 22.75" - 48.75"

Square with flat caster: 24.75" - 50.75"

Square with tubular glide: 23.75" - 49.75"

Square with tubular caster: 25.75" - 51.75"

Glide Adjustment: 1/4"

Distributed Weight Capacity: 75 lbs.

Volts: 120v AC

Frequency & Phase: 60 Hz, Single Phase

Watts: 300W

Duty Cycle: 10%

Electric Height Adjustable Tables

ASSEMBLY INSTRUCTIONS

OFS BRANDS

1204 East Sixth Street
Huntingburg, IN 47542
T 800-521-5381
ofsbrands.com