

Applause Purl power installation guide





Important safety instructions

When using an electrical furnishing, basic precautions should always be followed, including the following:

This furnishing is made for commercial use only.

Read all instructions before using this furnishing:

DANGER

To reduce the risk of electrical shock:

1. Always unplug this furnishing from the electrical outlet before cleaning.

WARNING

To reduce the risk of burns, fire, electric shock, or injury to persons:

1. Unplug from outlet before putting on or taking off parts.
2. Close supervision is necessary when this furnishing is used by, or near children, invalids, or disabled persons.
3. Use the furnishing only for its intended use as described in these instructions.
Do not use attachments not recommended by the manufacturer.
4. Never operate this furnishing if it has a damaged cord or plug, if it is not working properly, if it has been dropped or damaged, or dropped in water. Return the furnishing to a service center for examination and repair.
5. Keep the cord away from heated surfaces.
6. Do not use outdoors.
7. Use only SJT 18 AWG cord.
8. Risk of injury. Maximum load 75 pounds.

To reduce the risk of electric shock, this furnishing has a polarized plug (one blade is wider than the other). This plug will fit in a polarized outlet only one way. If the plug does not fit fully in the outlet, reverse the plug. If it still does not fit, contact a qualified electrician to install the proper outlet. Do not change the plug in any way.

Note – servicing is only to be performed by an authorized representative.

Servicing of double-insulated products

In a double-insulated product, two systems of insulation are provided instead of grounding. No grounding means is provided on a double-insulated product, nor is a means for grounding to be added to the product. Servicing a double-insulated product requires extreme care and knowledge of the system, and is to be done only by qualified service personnel. Replacement parts for a double-insulated product must be identical to the parts they replace. A double-insulated product is marked with the words “DOUBLE INSULATION” OR “DOUBLE INSULATED”. The symbol (square within a square) is also able to be marked on the product.

Save these instructions

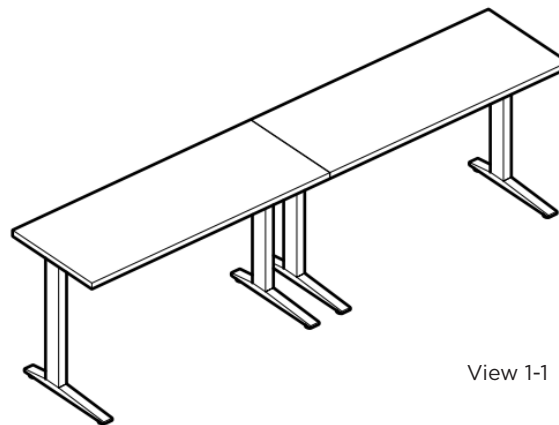
1. Furniture Power Distribution Units are not for permanent installation as part of the building structure and not for mounting in a permanently installed furnishing such as a fixed countertop.
2. Maximum Overall System Length = 31ft. Length measured from the face of the NEMA plug to the outside surface of the last unit
3. The system includes one primary FPDU, that must be mounted. Do not place any component directly on the floor.
4. Ensure power supply and system components are properly mounted and protected from pedestrian traffic and do not present a tripping hazard.

Table assembly

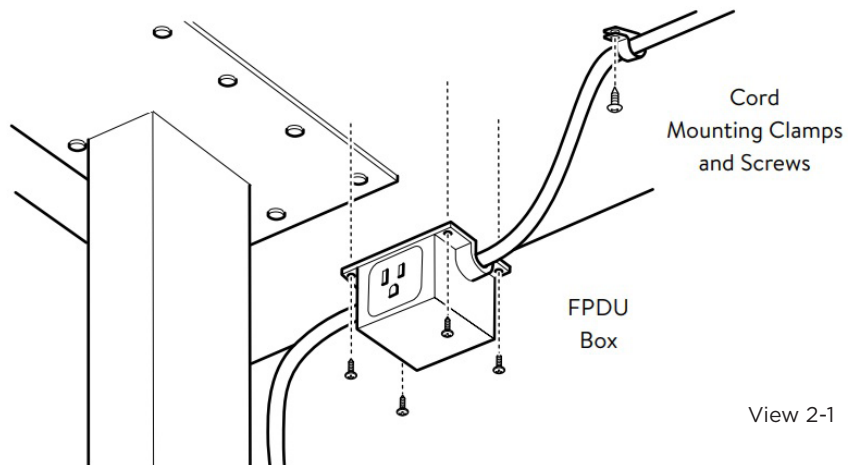
Tools required:

- Cordless driver or impact driver and screwdriver

1. Arrange tables in desired location as shown in view 1-1.
2. Install housing end of Primary FPDU to bottom side of worksurface with (4) screws provided as shown in view 2-1.



View 1-1



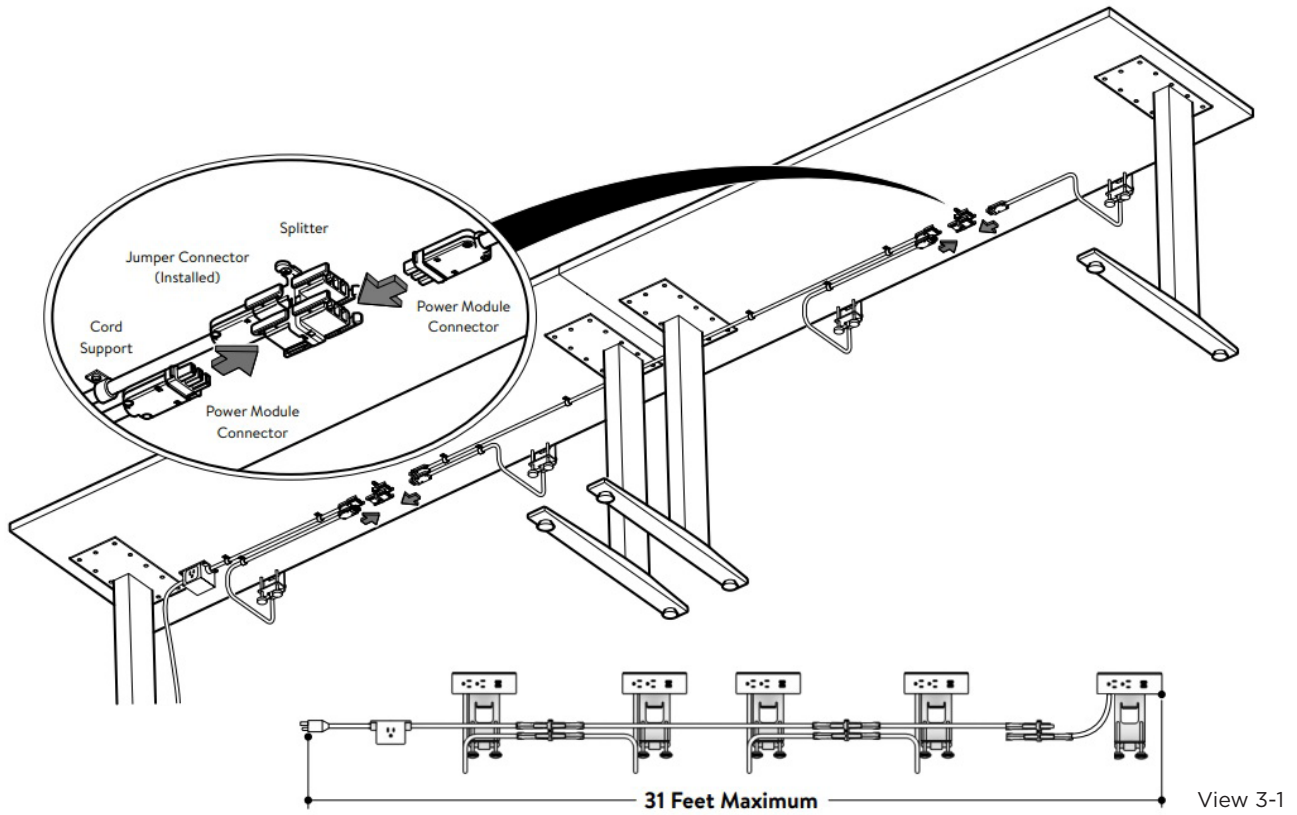
View 2-1

3. Install power modules where desired.
4. Install Purl system splitters and cord supports to the underside of the worksurface.

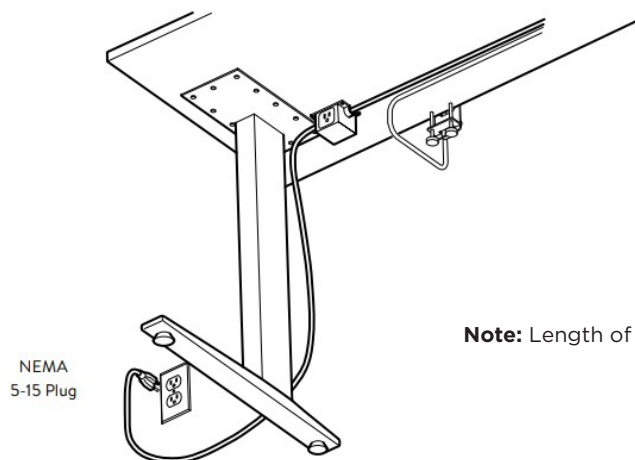
Note: Connectors are keyed and plug in one way only. See the next page.

Tools required:

- Cordless driver or impact driver



Note: Max system length is measured from the face of the NEMA plug to the outside surface of the last unit as pictured in view 3-1.



Note: Length of power infeed: Min 1-1/2 ft & Max 25 ft

Insert NEMA 5-15 plug into a properly wired and grounded standard wall outlet.