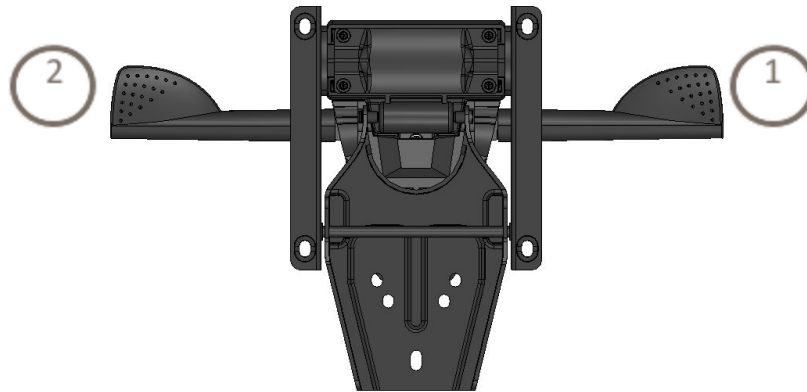
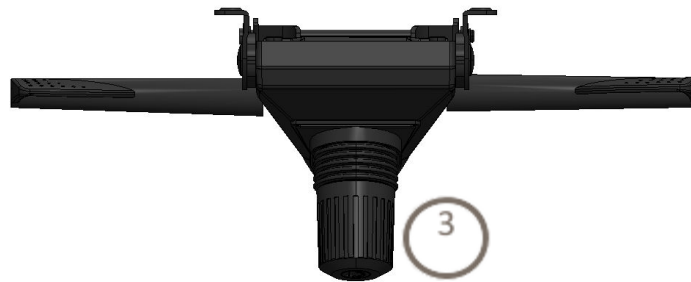


Arise mechanism operating instructions



Top view (as seated)



Front view (as facing chair)

- ① **Seat height adjustment:**
Lift tab up to adjust seat height
- ② **Back tilt adjustment:**
Lift tab up to allow tilt, push tab down to lock tilt
- ③ **Back tension adjustment:**
Turn clockwise to increase tension, turn counterclockwise to lessen tension