
Mile Marker.G2

INSTALL GUIDE



TABLE OF CONTENTS

Tools [2](#)

Upper cabinets [3-6](#)

Base cabinets [7-10](#)

ADA sink cabinet [11](#)

Worksurfaces, backsplashes, sidesplashes & toe kick rail [12-13](#)

Storage cabinets & Lockers [14-15](#)

Wall panels [16](#)

Filler panels, soffit panels & sloped top panels [17-18](#)

Equipment rails [19](#)

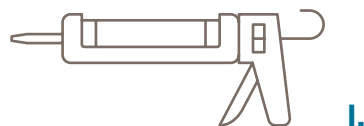
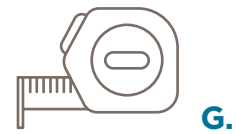
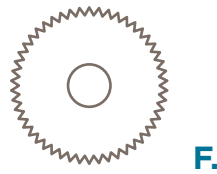
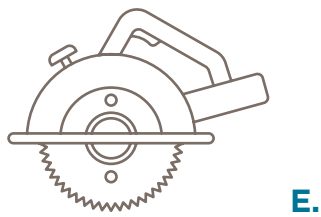
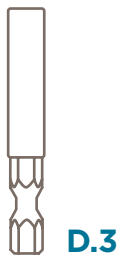
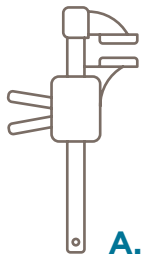
Additional resources [20](#)

IMPORTANT NOTICE: Installers are responsible for selecting and supplying appropriate fasteners and must verify the adequacy of the mounting hardware. Improper installation may cause damage or serious injury. Carolina cannot be held liable for damage or injury caused by incorrect mounting, assembly, or use. These instructions are only a suggested installation method and the installers are responsible for following all local codes and regulations, and ADA guidelines.

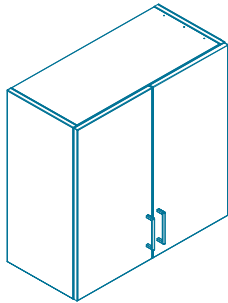
TOOLS

Mile Marker.G2 installation will require the tools listed below:

- A. Clamp** *optional* for filler panels
- B. Drill** for fastening & creating holes
- C. ½" Drill bit** for drilling holes with drill
- D. Driver bits** for fastening with drill:
 - 1. Phillips head
 - 2. Square head
 - 3. Driver bit extender
- E. Saw** for cutting oversized filler panels & worksurfaces
- F. High tooth count sawblade** for saw, to achieve a smooth, high-quality cut
- G. Tape measure**
- H. Level**
- I. Caulk gun** for silicone caulking on side splashes & back splashes (**silicone not included**)



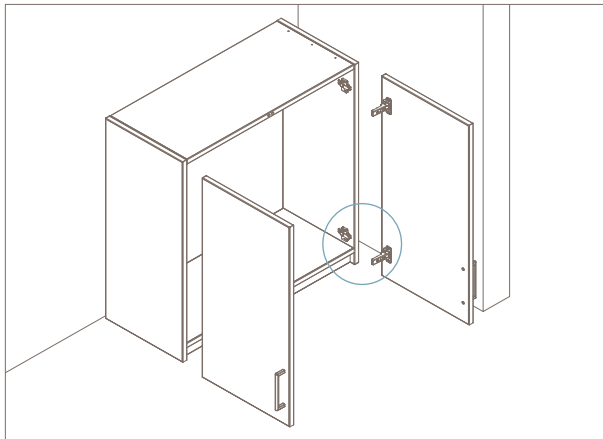
UPPER CABINETS



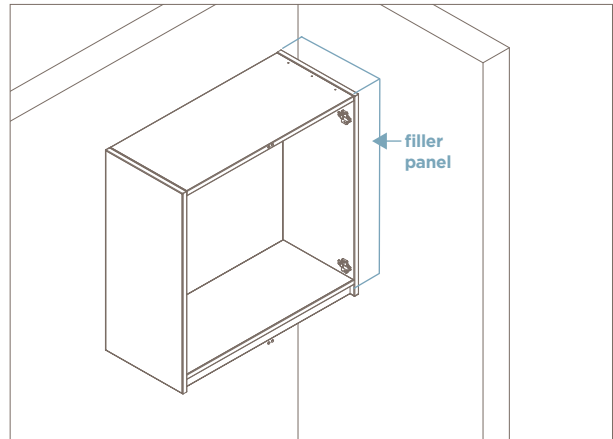
Upper cabinets can be installed using a hangman bracket or screwed to the wall.

Installers should verify which installation method is preferred.

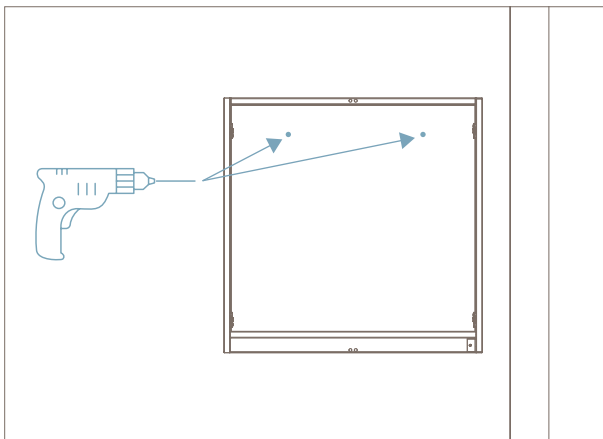
Screw-in installation:



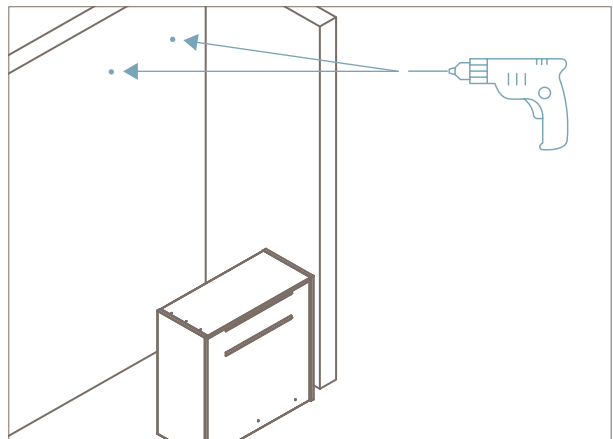
1. Remove doors. For **door removal** instruction, view resource video [here](#).



2. Locate and mark wall studs. (Skip if using toggle bolts) Hold the cabinet to the wall at the desired location and obtain the installation measurements needed. Allow at least 1½" w for the filler panel.



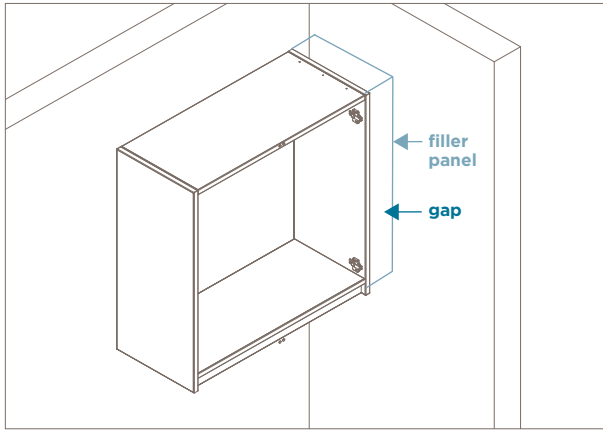
3. Drill pilot holes in the back panel with a ½" drill bit. Return the cabinet to the wall at the correct location and mark holes on the wall.



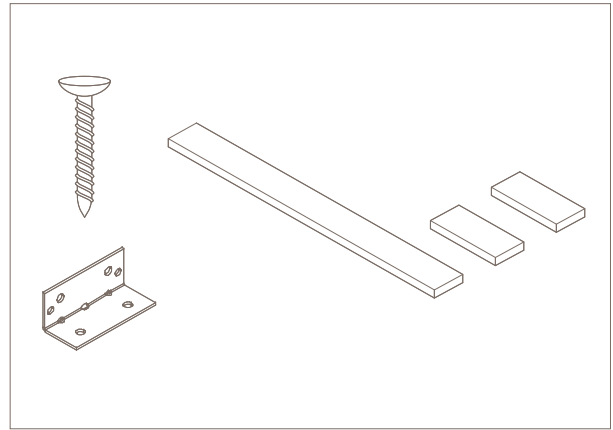
4. Using marked holes, drill pilot holes in the wall. Install metal channels in pilot holes. Return cabinet to correct location on the wall and anchor with toggle bolts.

UPPER CABINETS

Screw-in installation (cont.):

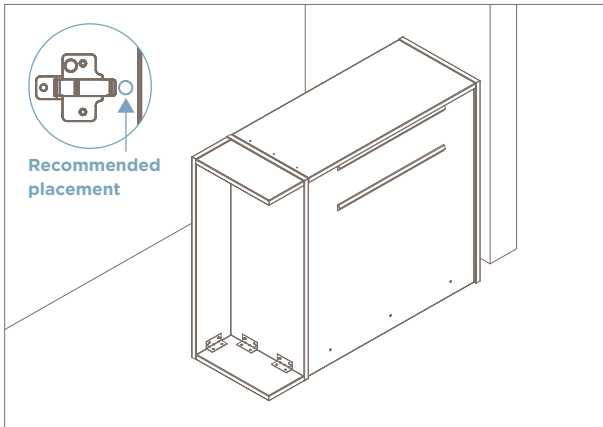


5. For installation of the filler panel, measure the gap between the cabinet and wall. Remove the cabinet from the wall after taking measurements.

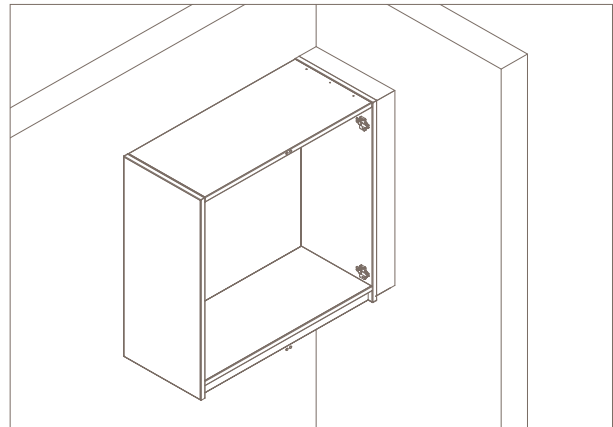


6. Cut and assemble the filler panel using measurements from step 5.

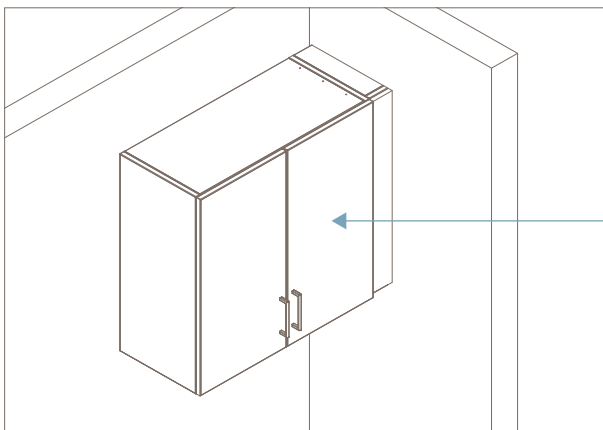
Note: For filler panel assembly, refer to page 17.



7. Attach the filler panel using 1¼" screws.
Optional: Use clamp to secure the filler while attaching.



8. Place the cabinet back in position and anchor to wall. Install remaining cabinets by repeating steps 1-4.



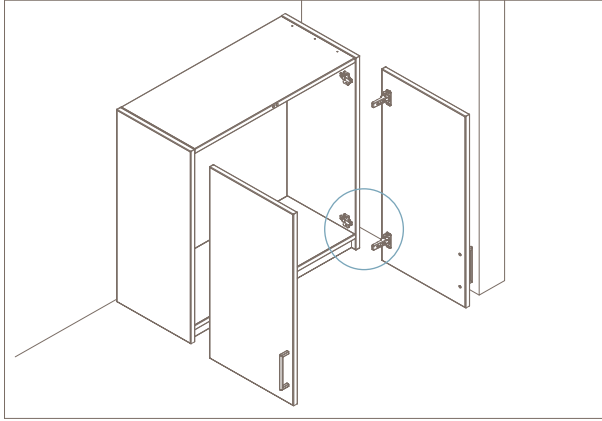
FINALIZING INSTALLATION:

Secure cabinets to one another. Reattach doors. Align and adjust as needed for proper fit and function.

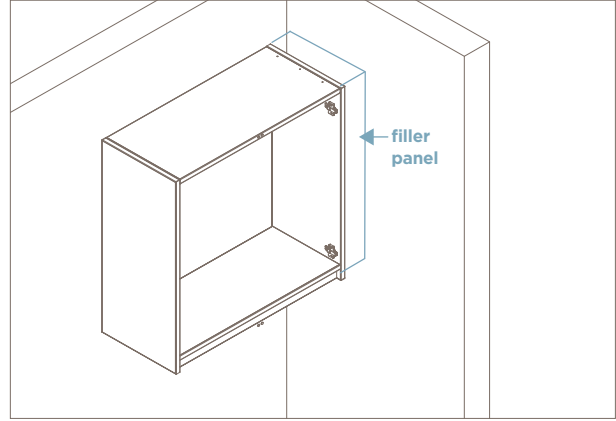
For instruction on door adjustment, view resource video [here](#).

UPPER CABINETS

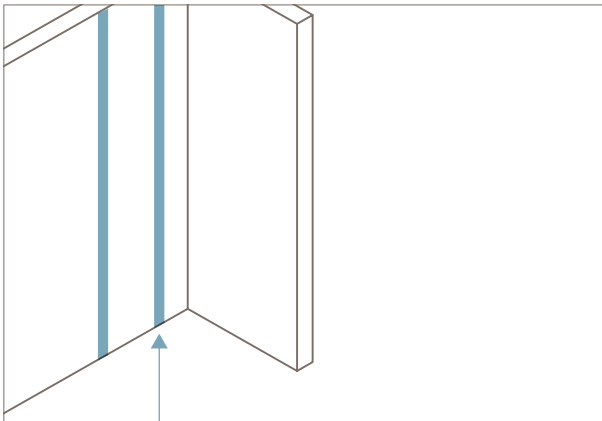
Hangman bracket installation:



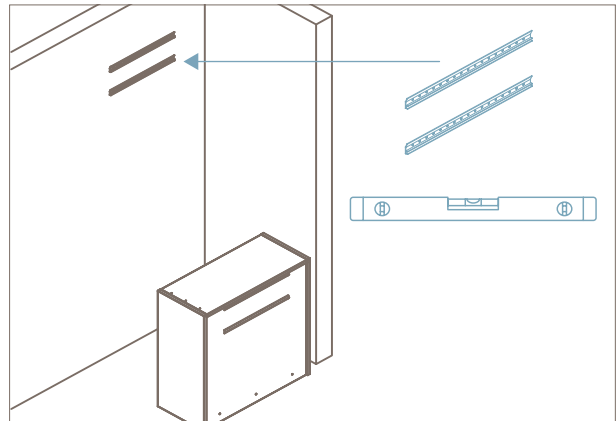
1. Remove doors. For **door removal** instruction, view resource video [here](#).



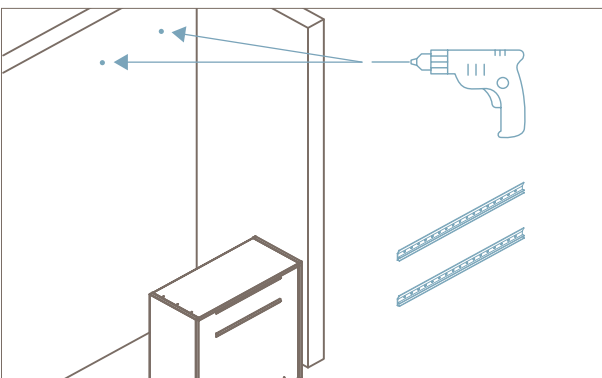
2. Hold the cabinet to the wall at the desired location and obtain the installation measurements needed. Allow at least 1½" w for the filler panel.



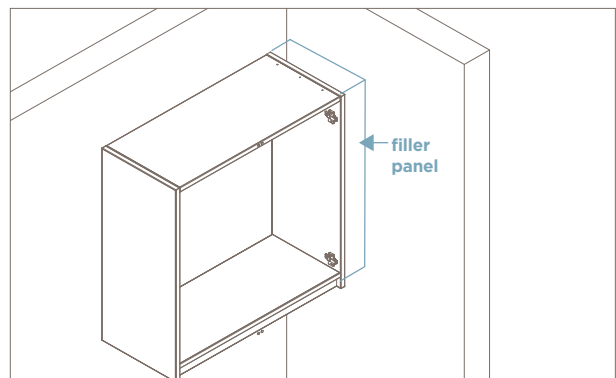
3. Locate and mark wall studs. (Skip if using toggle bolts)



4. Use the brackets and level to mark the bracket end holes.



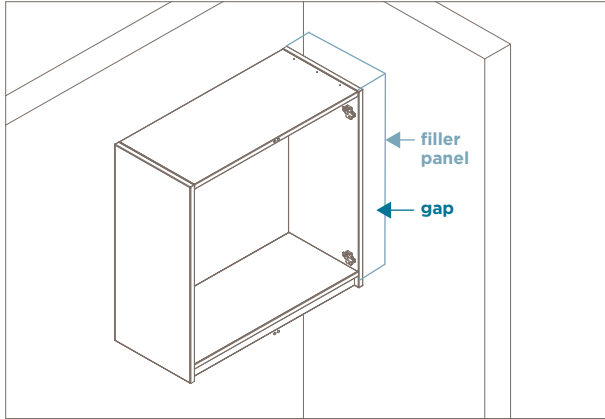
5. Using marked holes, drill pilot holes in the wall. Install metal channels in pilot holes. Align the brackets and anchor with toggle bolts.



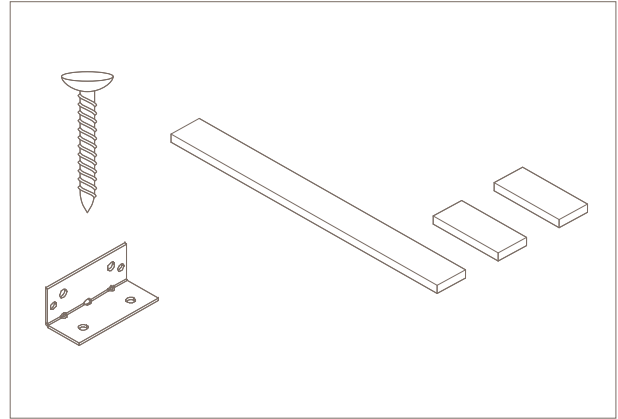
6. Hang cabinet on the bracket ensuring it interlocks securely and sits flush. Allow at least 1½" w for the filler panel.

UPPER CABINETS

Hangman bracket installation (cont.):

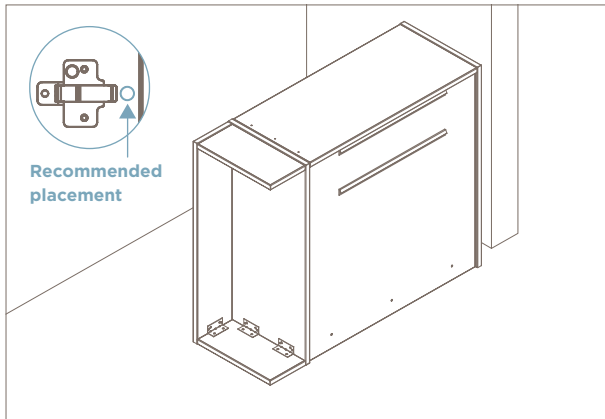


7. For installation of the filler panel, measure the gap between the cabinet and wall. Remove the cabinet from the wall after taking measurements.

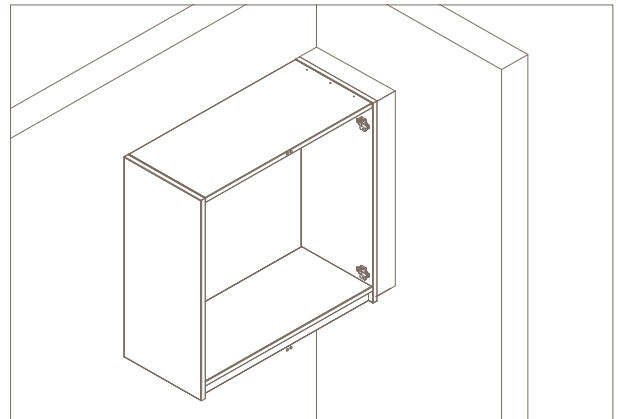


9. Cut and assemble the filler panel using measurements from step 7.

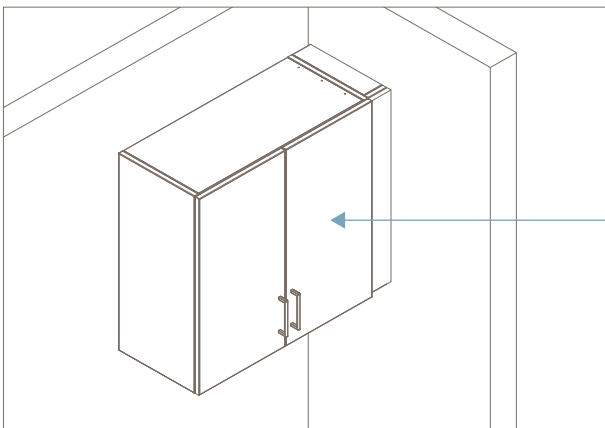
Note: For filler panel assembly, refer to page 17.



10. Attach the filler panel using 1 $\frac{3}{4}$ " screws.
Optional: Use clamp to secure the filler while attaching.



8. Place the cabinet back in position and anchor to wall. Install remaining cabinets by repeating steps 1-6.

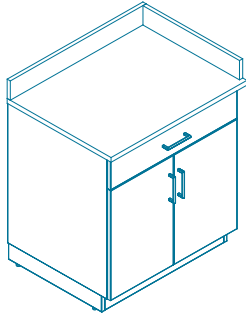


FINALIZING INSTALLATION:

Secure cabinets to one another. Reattach doors. Align and adjust as needed for proper fit and function.

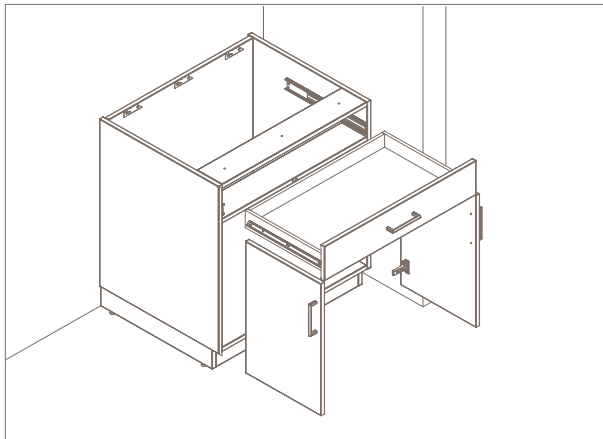
For instruction on door adjustment, view resource video [here](#).

BASE CABINETS

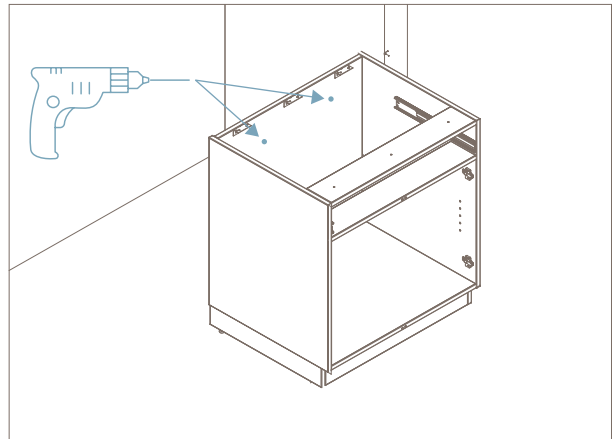


Base cabinets can be installed using a hangman bracket or screwed to the wall.

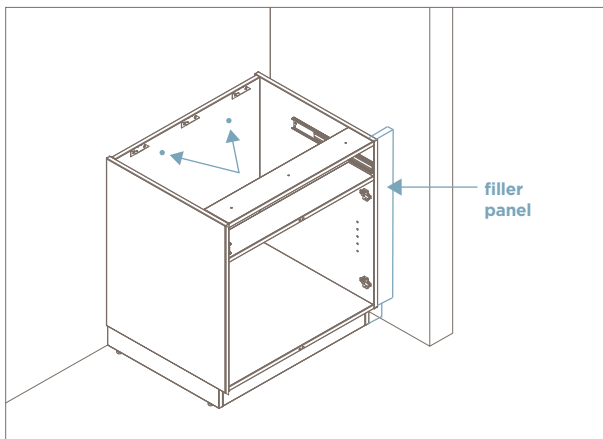
Floor mounted | Screw-in installation:



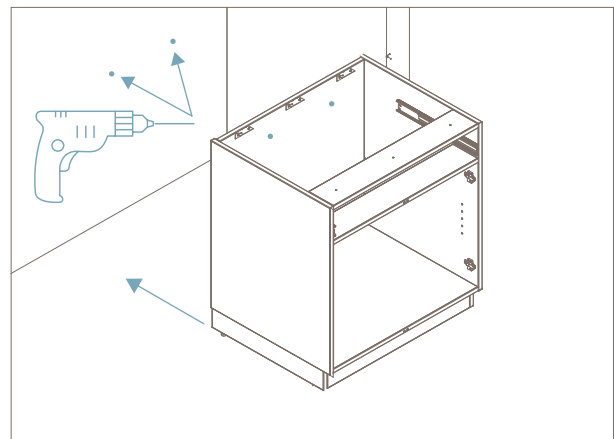
1. Remove doors and drawers. For **door removal** instruction, view resource video [here](#). For **drawer removal** instruction, view resource video [here](#).



2. Place cabinet in the desired location and adjust the floor glides as needed. Drill pilot holes in the back panel with a 1/2" drill bit.



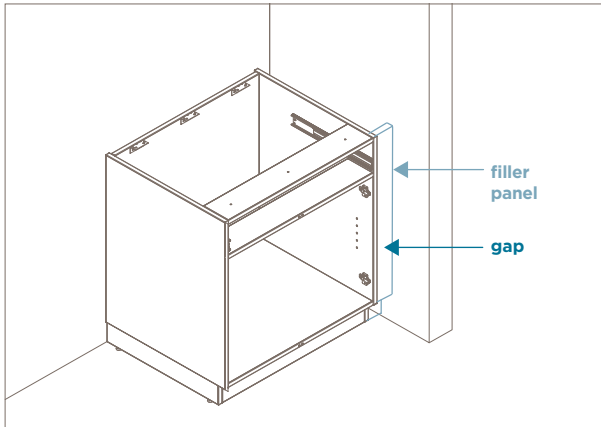
3. Push the cabinet while on the floor glides to the wall at the desired location, and mark holes on wall. Allow at least 1 1/2" w for the filler panel.



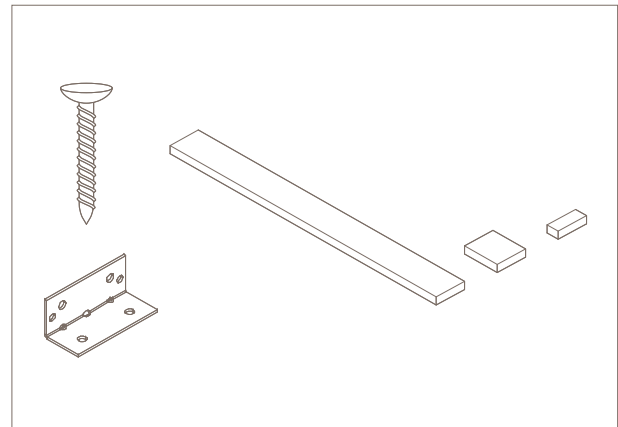
4. Using marked holes, drill pilot holes in the wall. Install metal channels in pilot holes. Return cabinet to correct location on the wall and anchor with toggle bolts.

BASE CABINETS

Floor mounted | Screw-in installation (cont.):

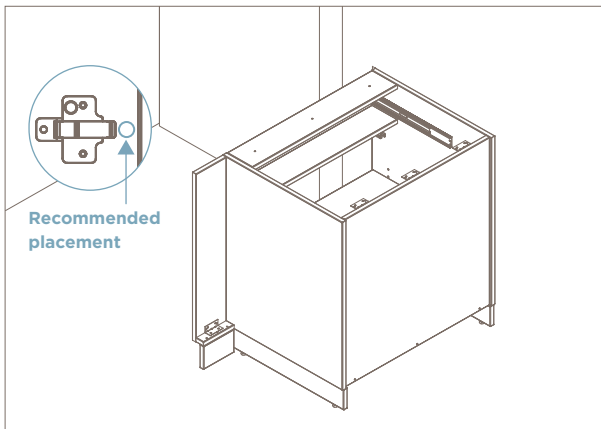


5. For installation of the filler panel, measure the gap between the cabinet and wall. Remove the cabinet from the wall after taking measurements.



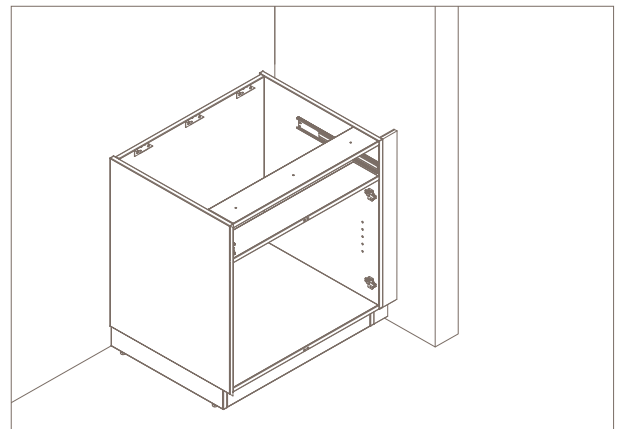
6. Cut and assemble the filler panel using measurements from step 5.

Note: For filler panel assembly, refer to page 17.

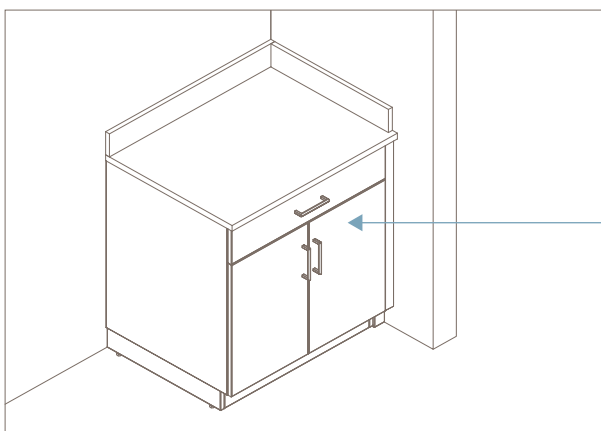


7. Attach the filler panel using 1¼" screws.

Optional: Use clamp to secure the filler while attaching.



8. Place the cabinet back in position and anchor to wall. Install remaining cabinets by repeating steps 1-4.



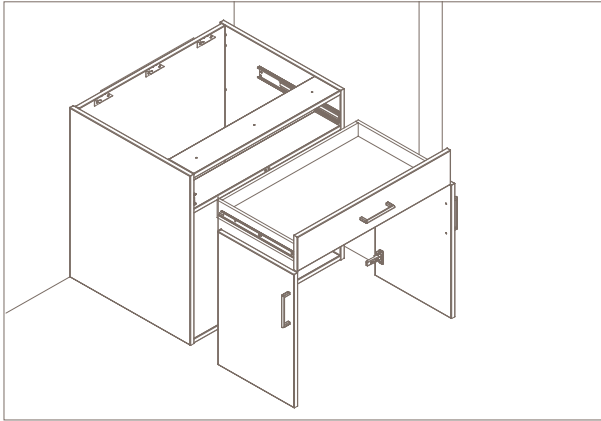
FINALIZING INSTALLATION:

Secure cabinets to one another. Reattach doors after installing worksurfaces, backsplashes, and sidesplashes. Align and adjust as needed for proper fit and function.

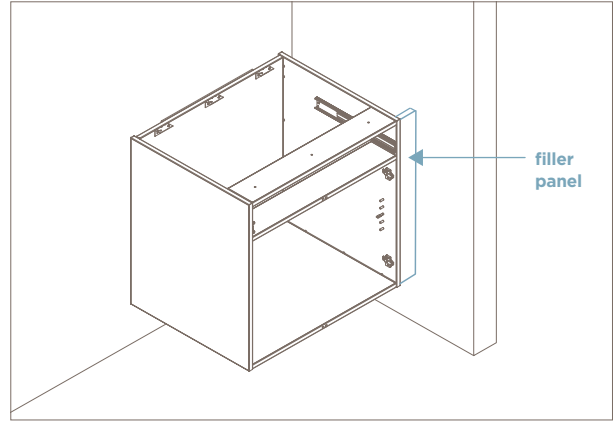
For instruction on door adjustment, view resource video [here](#).

BASE CABINETS

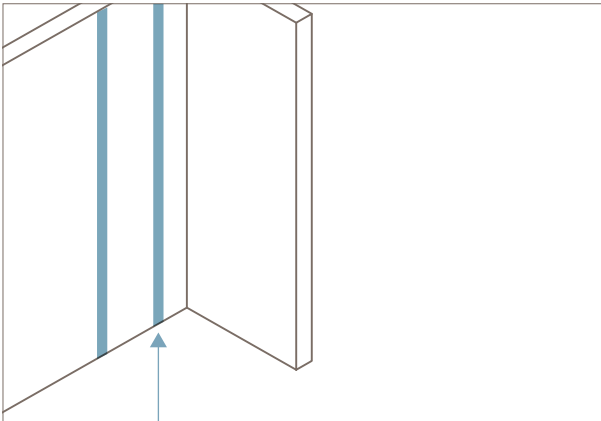
Wall hanging | Hangman bracket installation:



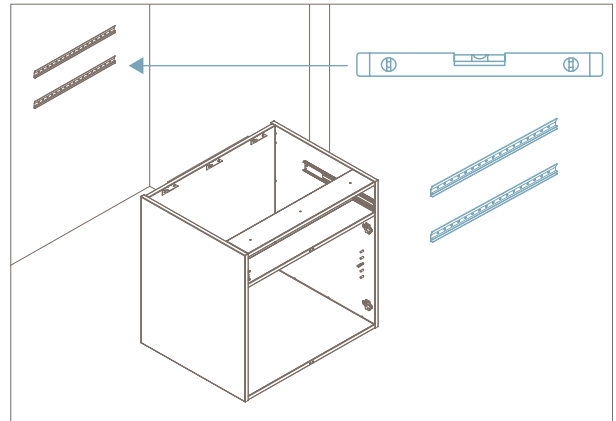
1. Remove doors and drawers. For **door removal** instruction, view resource video [here](#). For **drawer removal** instruction, view resource video [here](#).



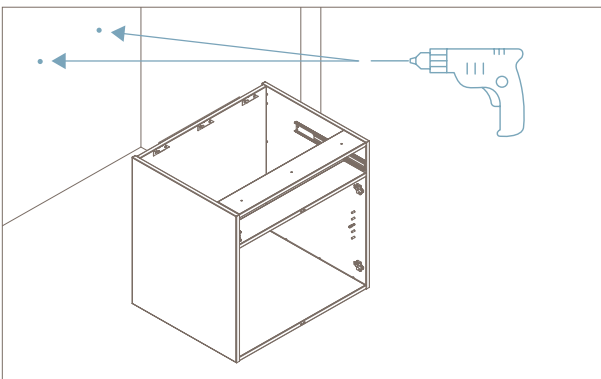
2. Measure the location at which the cabinet will hang. Allow at least 1 1/2" w for the filler panel.



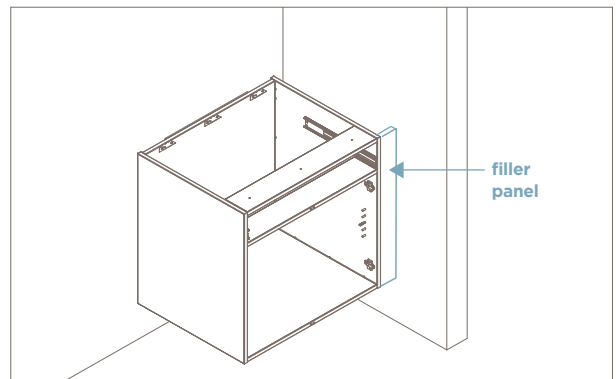
3. Locate and mark wall studs. (Skip if using toggle bolts)



4. Use the brackets and level to mark the bracket end holes.



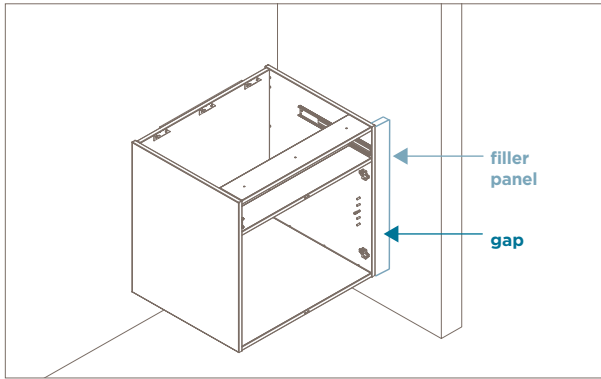
5. Using marked holes, drill pilot holes in the wall. Install metal channels in pilot holes. Align the brackets and anchor with toggle bolts.



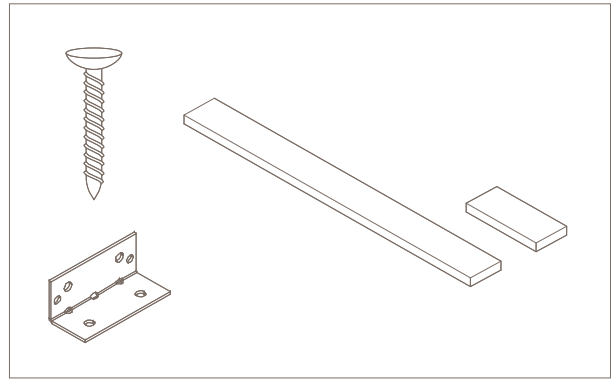
6. Hang cabinet on the bracket ensuring it interlocks securely and sits flush. Allow at least 1/2" w for the filler panel.

BASE CABINETS

Wall hanging | Hangman bracket installation (cont.):

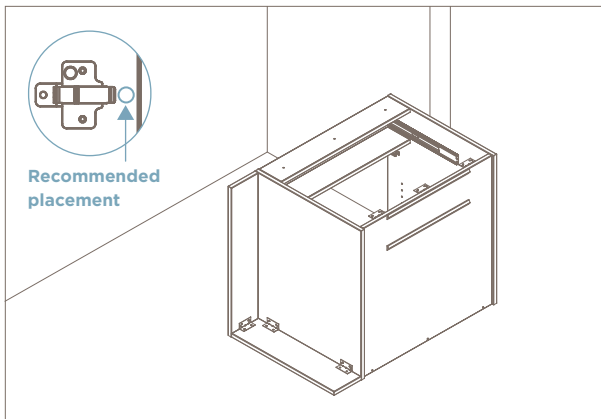


5. For installation of the filler panel, measure the gap between the cabinet and wall. Remove the cabinet from the wall after taking measurements.



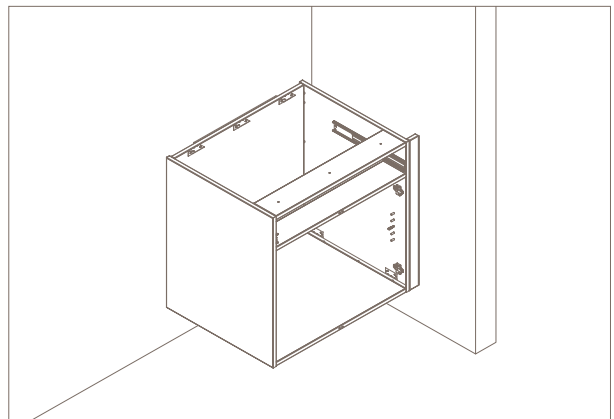
6. Cut and assemble the filler panel using measurements from step 5.

Note: For filler panel assembly, refer to page 17.

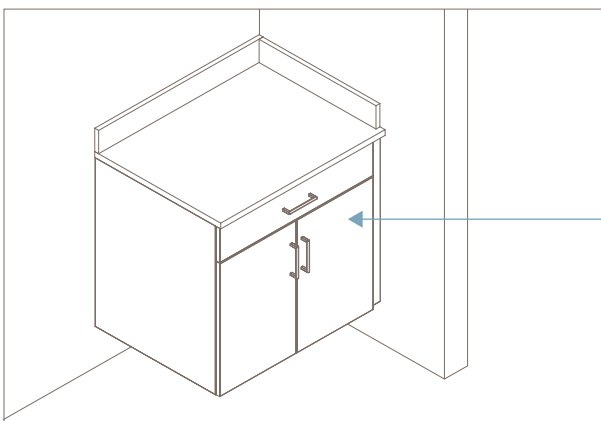


7. Attach the filler panel using 1¼" screws.

Optional: Use clamp to secure the filler while attaching.



8. Hang the cabinet back in position and install remaining cabinets by repeating steps 1-6.



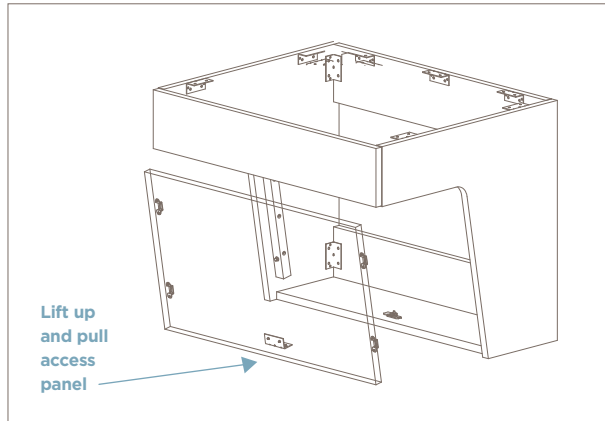
FINALIZING INSTALLATION:

Secure cabinets to one another. Reattach doors after installing worksurfaces, backsplashes, and sidesplashes. Align and adjust as needed for proper fit and function.

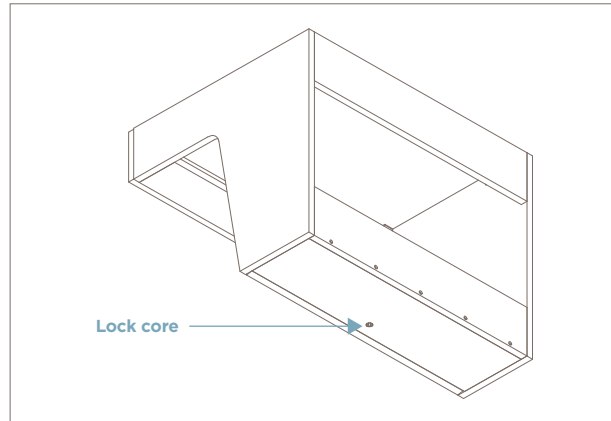
For instruction on door adjustment, view resource video [here](#).

ADA SINK CABINET

Plumbing access:

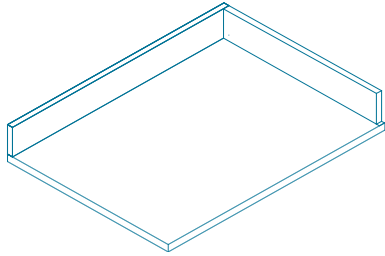


1. To access the plumbing, lift up and remove the front access panel.



2. For safety and to restrict unauthorized access, the ADA sink cabinet is equipped with a factory-installed lock core and key.

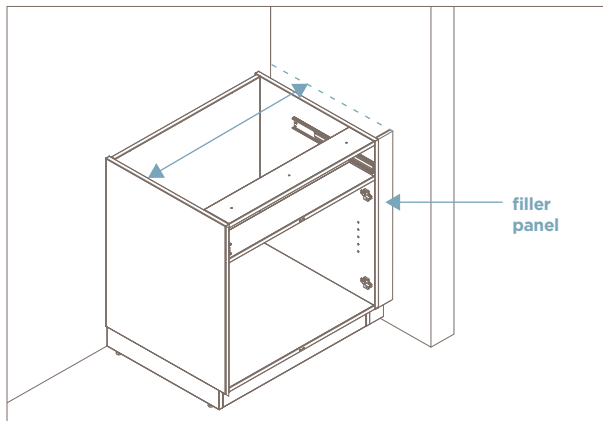
WORKSURFACES | SIDESPLASHES | BACKSPLASHES | TOE KICK RAIL



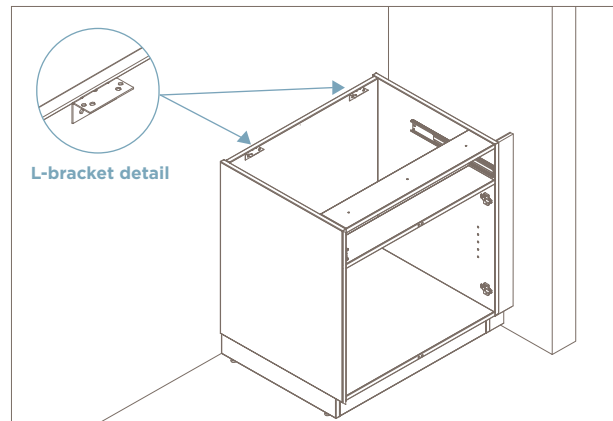
Worksurfaces can be attached to cabinetry or with a work surface support bracket.

Sidesplashes/backsplashes/toe kick rail should be installed with silicone. **(silicone not included)**

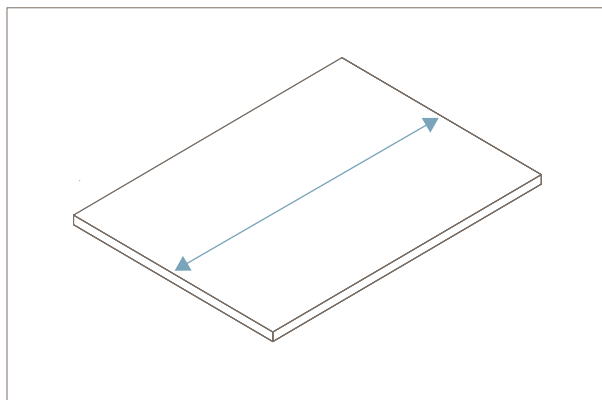
installation:



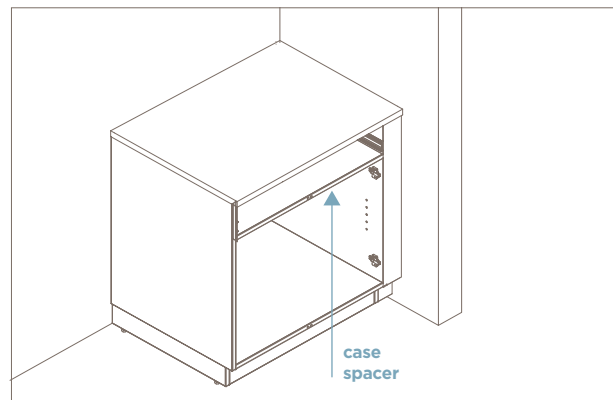
1. Measure the base cabinet width, including the filler panel.



2. Attach (2) L-brackets to the back panel of base cabinet using the $\frac{5}{8}$ " screws provided.

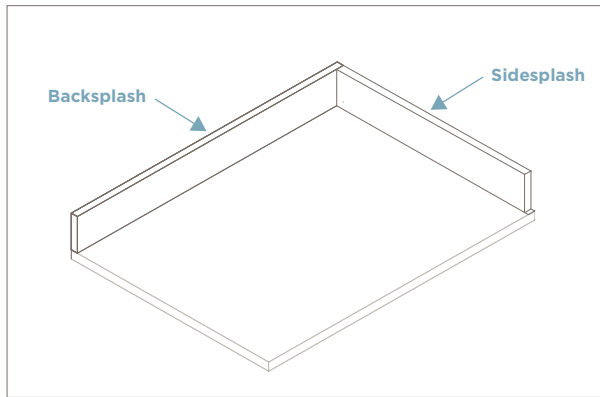


3. Cut the work surface to the measured dimensions. Worksurfaces should be cut upside down, through the substrate.

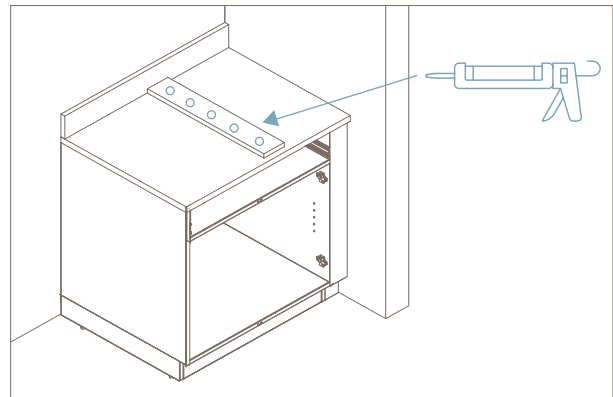


4. Place the work surface on the cabinet. Secure the work surface to the base cabinet with the L-brackets ($\frac{5}{8}$ " screws) and the case spacer ($1 \frac{1}{4}$ " flat head screws).

WORKSURFACES | SIDESPLASHES | BACKSPLASHES | TOE KICK RAIL

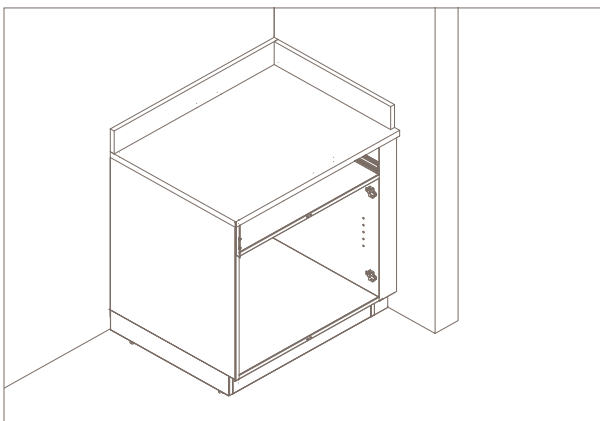


5. Measure the HPL backsplash/sidesplash dimensions. Cut the HPL backsplash/sidesplash to size.

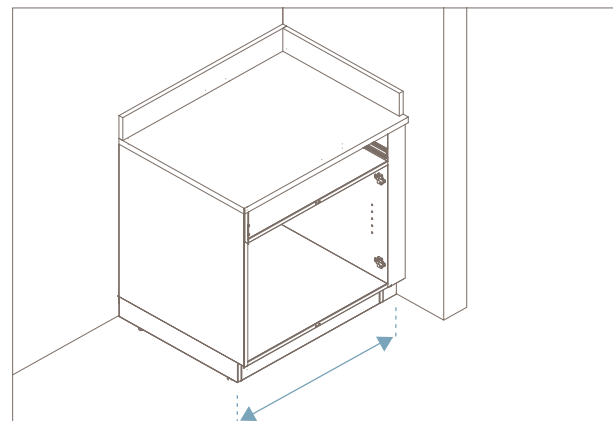


6. Add silicone to the back of the backsplash/sidesplash by using circular beads, which will create a vacuum and tighter seal against the wall.

Note: Sidesplash should set back $\frac{3}{8}$ " if against a wall or align with chassis of adjacent cabinet. **(silicone not included)**

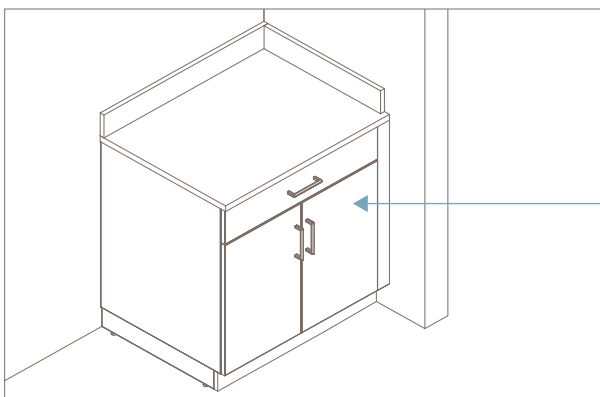


6. Attach the backsplash/sidesplash by pressing it firmly to the wall.



7. Measure the toe kick rail dimensions, including fillers. Dry fit before attaching. Adhere using silicone **(not included)**.

Note: Cabinets should have either toe kick rail, or vinyl cove molding to complete installation. Toe kick rail is designed to span multiple cabinets.

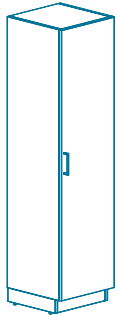


FINALIZING INSTALLATION:

Secure cabinets to one another. Reattach doors after installing worksurfaces, backsplashes, sidesplashes, and toe kick rail. Align and adjust as needed for proper fit and function.

For instruction on door adjustment, view resource video [here](#).

STORAGE CABINETS | LOCKERS

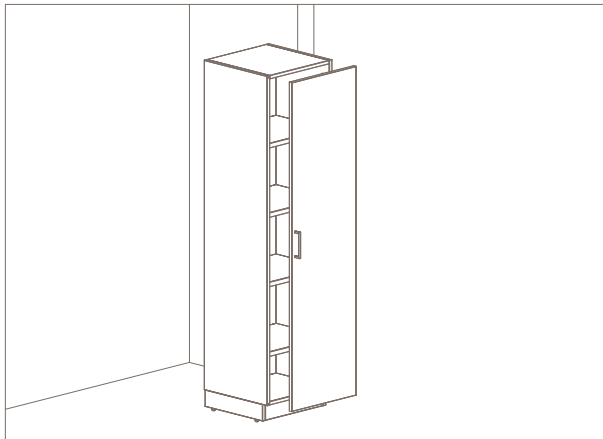


Storage cabinets can be installed using a hangman bracket or screwed to the wall. Installers should verify which installation method is preferred.

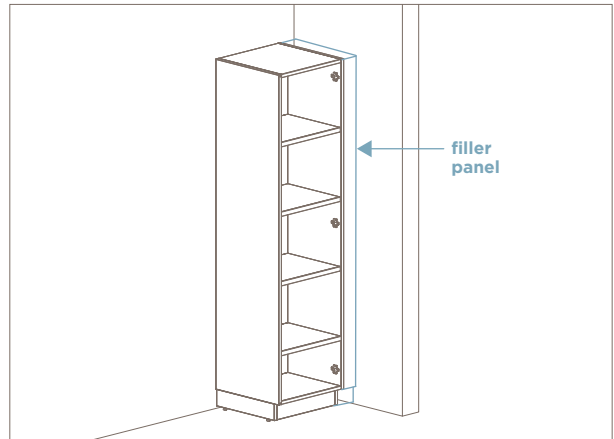
Lockers are screwed to the wall.

Note: For wall hanging storage cabinet installation, please refer to page 9 and follow similar installation steps.

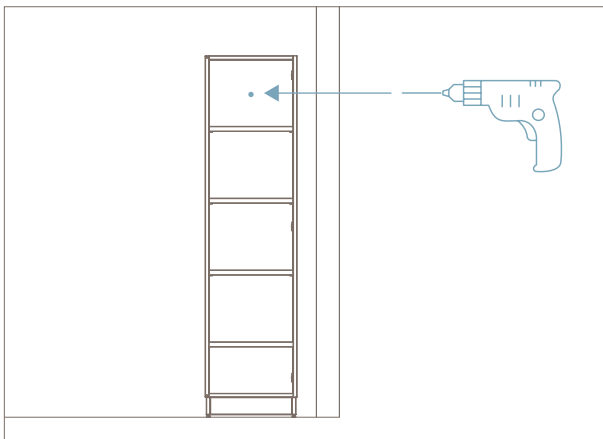
Floor mounted | Screw-in installation



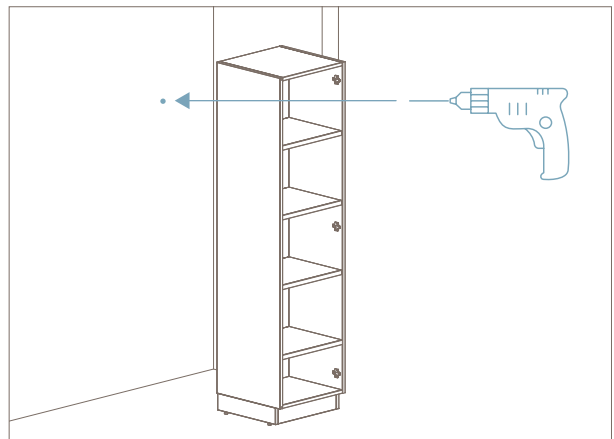
1. Remove doors. For **door removal** instruction, view resource video [here](#).



2. Place the cabinet or locker in the desired location and adjust the floor glides as needed. Allow at least 1½" w for the filler panel.



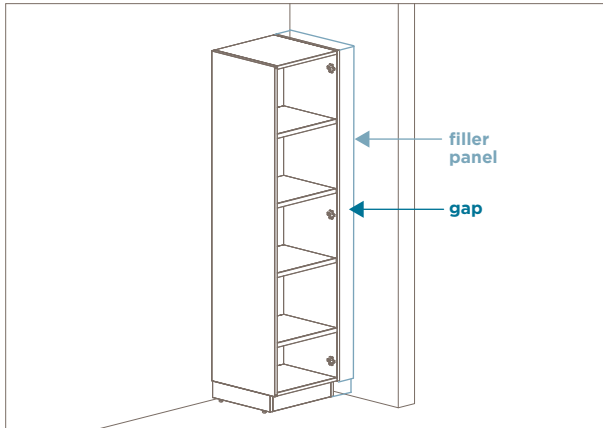
3. Drill pilot holes in the back panel with a ½" drill bit. Return the cabinet/locker to the wall at the correct location and mark holes on the wall.



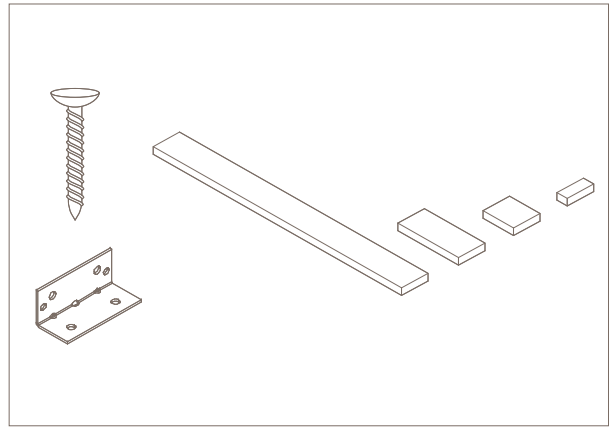
4. Using marked holes, drill pilot holes in the wall. Install metal channels in pilot holes. Return cabinet/locker to same location on the wall and anchor with toggle bolts.

STORAGE CABINETS | LOCKERS

Floor mounted | Screw-in installation (cont.):

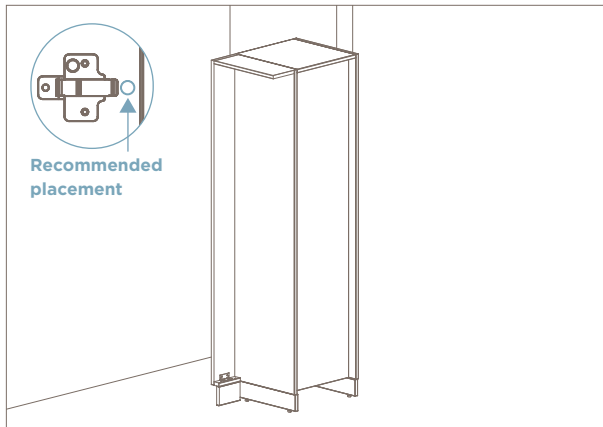


5. For installation of the filler panel, measure the gap between the cabinet/locker and wall. Remove the cabinet/locker from the wall after taking measurements.



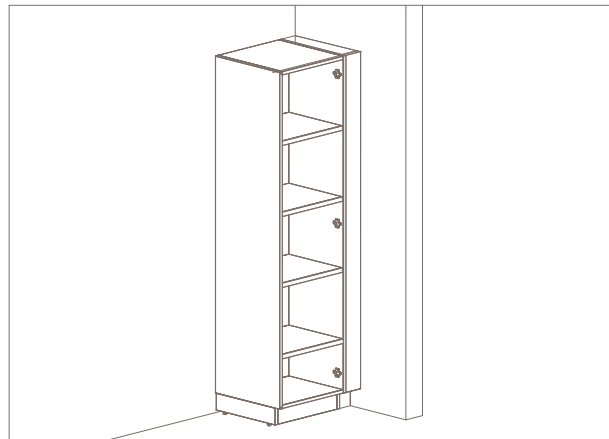
6. Cut and assemble the filler panel using measurements from step 5.

Note: For filler panel assembly, refer to page 17.

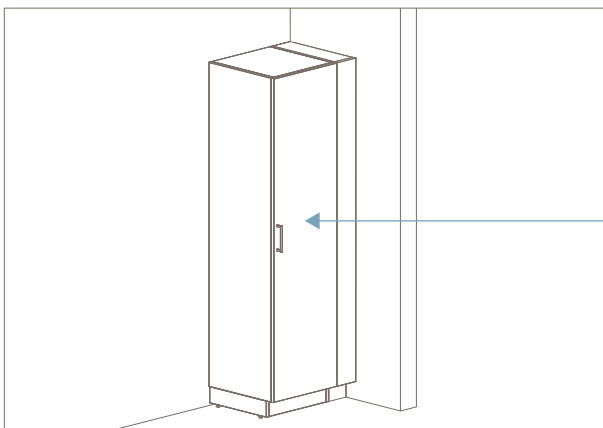


7. Attach the filler panel using 1¼" screws.

Optional: Use clamp to secure the filler while attaching.



8. Place the cabinet back in position and anchor to wall. Install remaining cabinets by repeating steps 1-4.

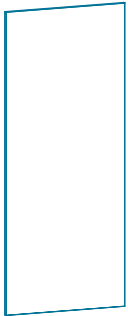


FINALIZING INSTALLATION:

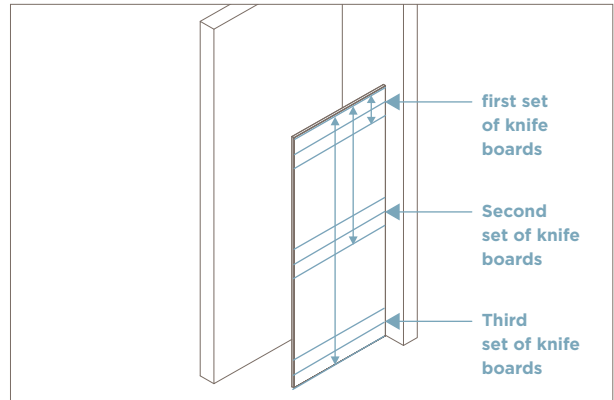
Secure cabinets/lockers to one another. Reattach doors after installing worksurfaces, backsplashes, and sidesplashes. Align and adjust as needed for proper fit and function.

For instruction on door adjustment, view resource video [here](#).

WALL PANELS

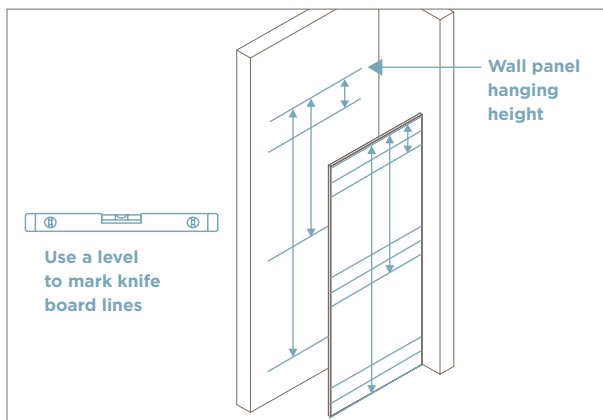


Wall panels should be installed using the included knife boards, which are screwed to the wall.

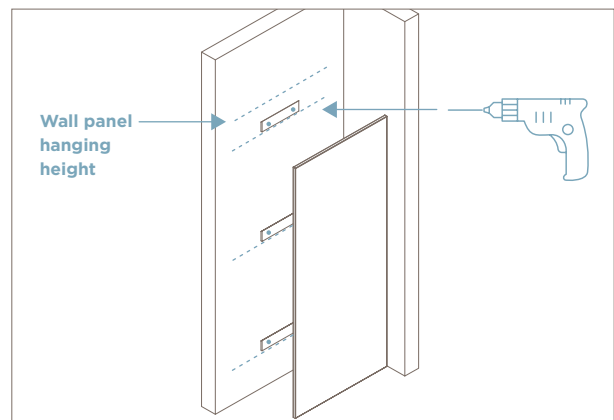


Wall hanging | Knife board installation:

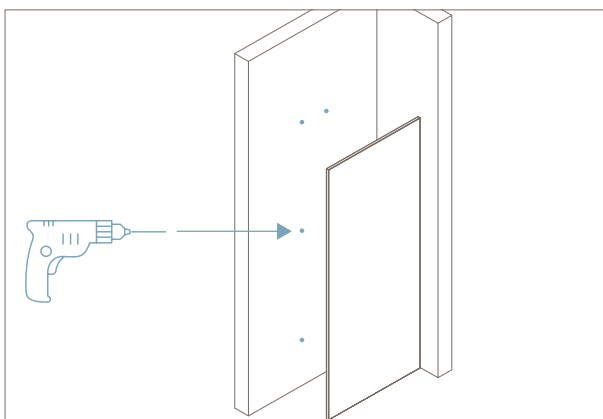
1. Leave knife boards taped to back of panel to obtain measurements. Measure from the top of the panel to the bottom of the **first set** of knife boards. Repeat to obtain the measurements to the bottom of the **second** and **third sets** of knife boards.



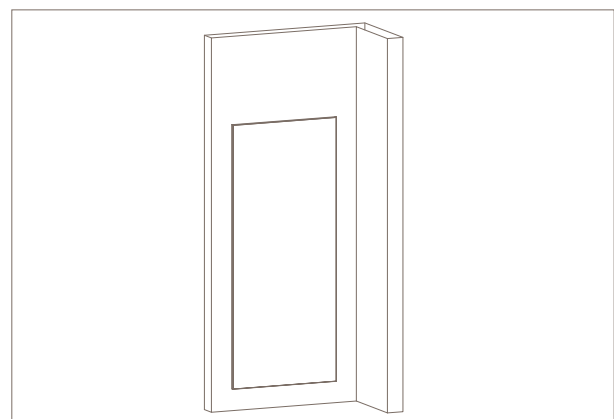
2. Mark height that the panel will hang on the wall. From the mark, measure down the distance (from step 1) for the **first set** of knife boards and mark. Repeat for the **second** and **third sets** of knife boards.



3. Align the bottom of the **first** knife board panel with the corresponding mark from step 2. Drill pilot holes in the knife board with a 1/2" drill bit. Repeat for the **second** and **third sets** of knife boards.



4. Using the marked holes, drill pilot holes in wall. Install metal channels in pilot holes. Return knife boards to same location on the wall and anchor with toggle bolts.



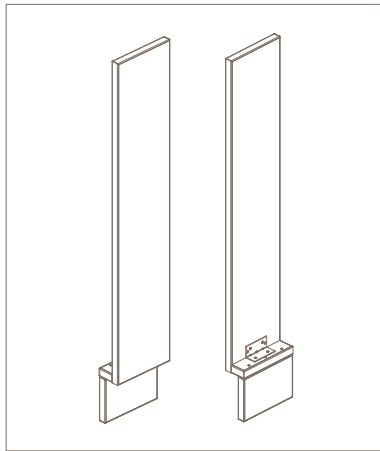
5. Finalize installation by returning the panel to correct position on the wall, making sure the knife boards align for hanging.

FILLER PANELS | SOFFIT PANELS | SLOPED TOP PANELS

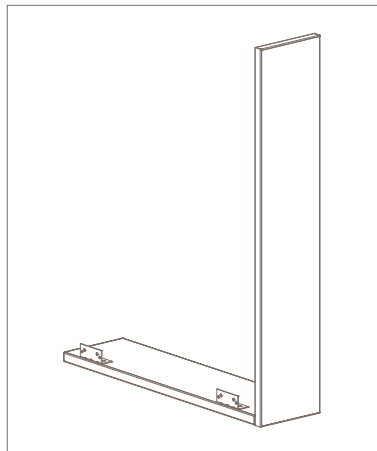
Filler panels:

Fillers are 6" w, assembled on site, and field cut to fit.

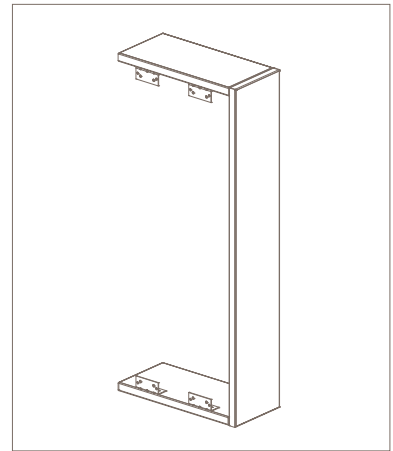
When installing cabinets/lockers wall-to-wall, it is recommended that one filler is secured in place prior to installing the remaining cabinets/lockers.



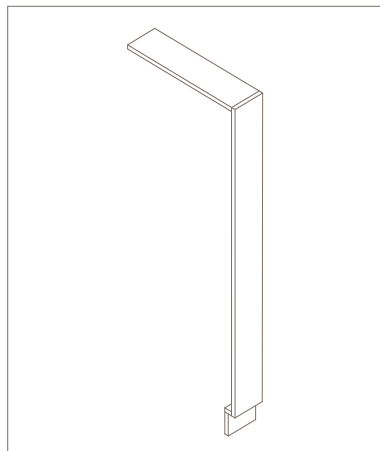
Floor mounted base cabinets



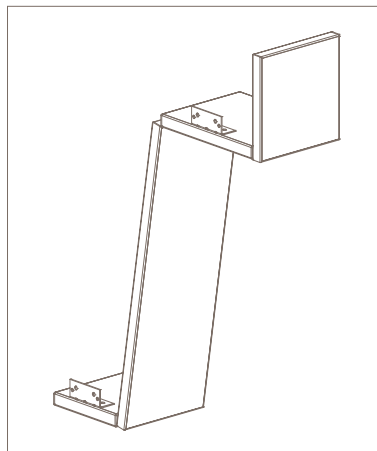
Wall hanging base cabinets



Upper cabinets and wall hanging storage



Floor mounted storage cabinets and lockers



ADA filler

1. Measure and cut filler panels prior to assembly. Assemble the filler pieces as shown, using L-brackets and 5/8" flat head screws (L-bracket cannot be used if filler is less than 1 1/8" w). Secure filler to cabinet using 1 1/4" screws.

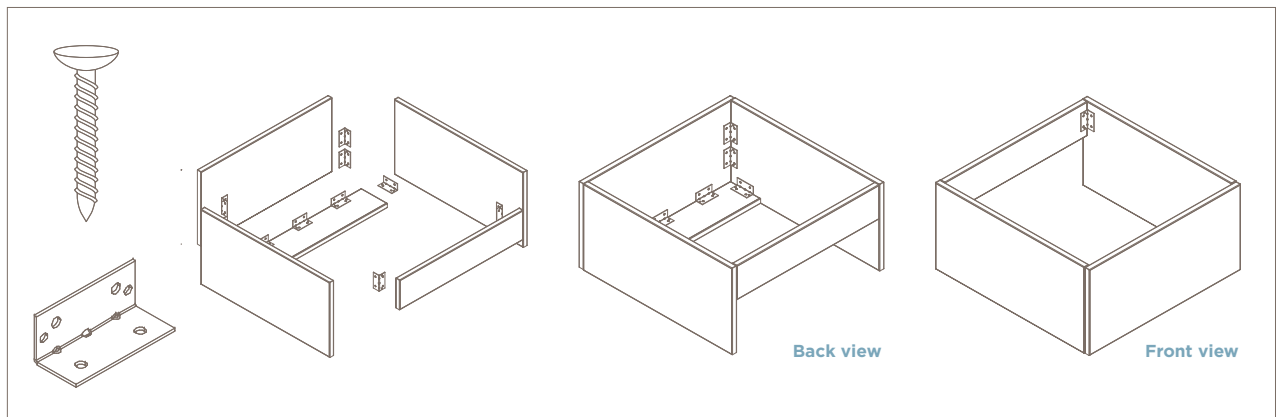
Note: ADA sink cabinet filler - Due to the cabinet angle, attach the filler while the cabinet is positioned on its side.

FILLER PANELS | SOFFIT PANELS | SLOPED TOP PANELS

Soffit panels:

Soffit panels are oversized and designed to be field cut to fit. Hardware pack includes $\frac{5}{8}$ " and $1\frac{1}{4}$ " screws.

Installers should confirm if panel should align with the chassis or door.



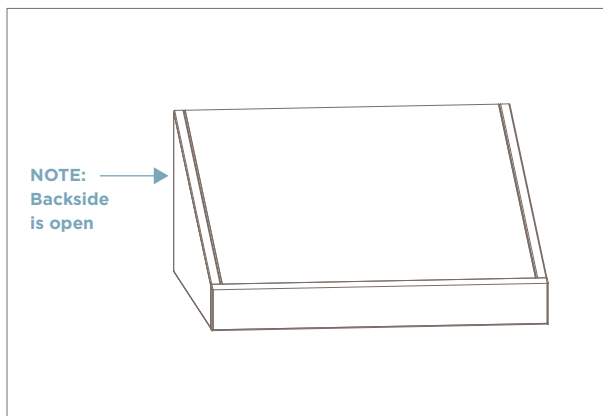
1. Measure the gap between the cabinet and ceiling. Next, measure the gap between the cabinet and wall, including the filler panels.

2. Cut and assemble the soffit panel as shown above, using the measurements from step 1. Secure the panel to the wall and adjacent cabinet.

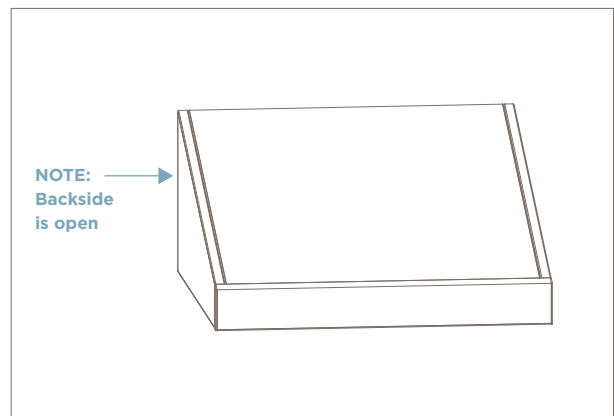
Sloped top panels:

Panel ships fully assembled and is open at the back. Hardware pack includes $1\frac{1}{4}$ " screws.

Panel can be secured to a cabinet or locker using two methods: **Top down** or **bottom up**.

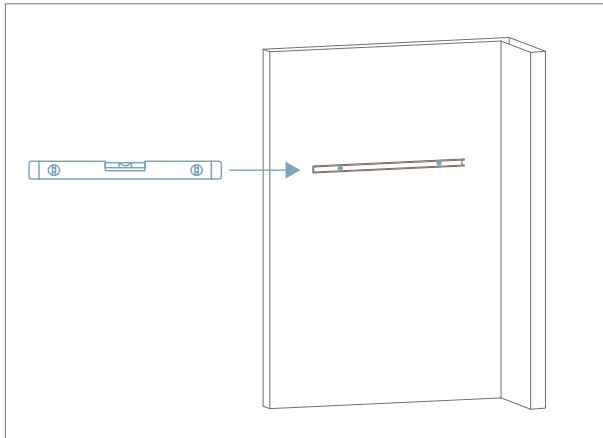


Top down: Secure the panel to the cabinet by adding screws through open back.

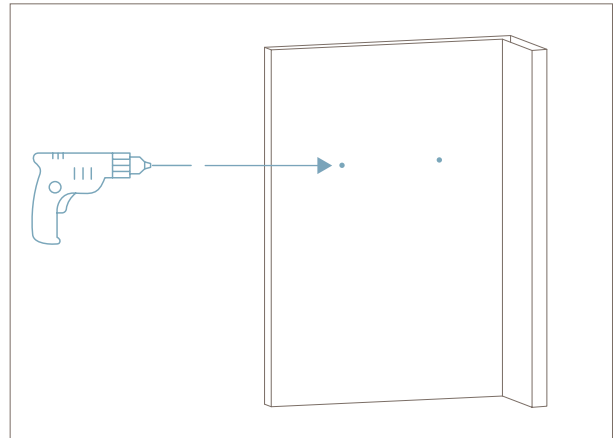


Bottom up: Secure the panel to the cabinet by adding screws through the inside of the cabinet. Apply cam covers if needed.

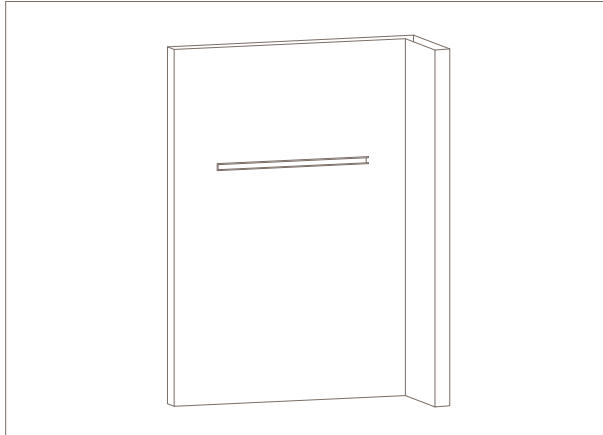
EQUIPMENT RAILS



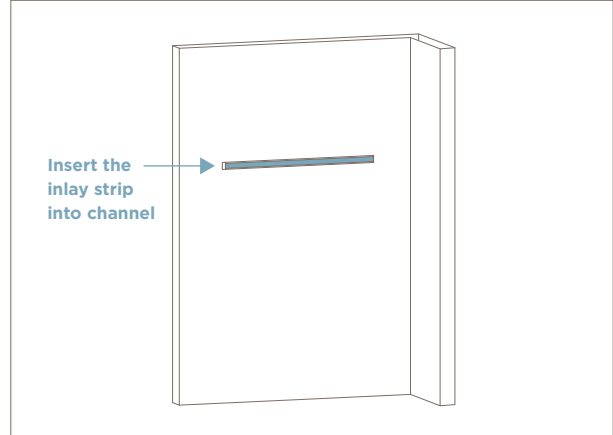
1. Using the equipment rail as a guide, mark the desired location on the wall using a level, being sure to also mark the screw holes.



2. Using the screw hole marks from step 1, drill pilot holes in the wall with a 1/2" drill bit. Install metal channels in the pilot holes.



3. Return equipment rail to same location on the wall and anchor with toggle bolts.



4. Finalize installation by inserting the provided inlay strip into the channel of equipment rail, and secure end caps on both sides.

Additional resources:

DOOR REMOVAL INSTRUCTIONS



- View Mile Marker.G2's [door removal](#) video.

DOOR ADJUSTMENT INSTRUCTIONS



- View Mile Marker.G2's [door adjustment](#) video.

DRAWER REMOVAL INSTRUCTIONS



- View Mile Marker.G2's [drawer removal](#) video.

HINGE RESTRICTOR CLIP INSTRUCTIONS



- View Mile Marker.G2's [hinge restrictor clip installation](#) video.