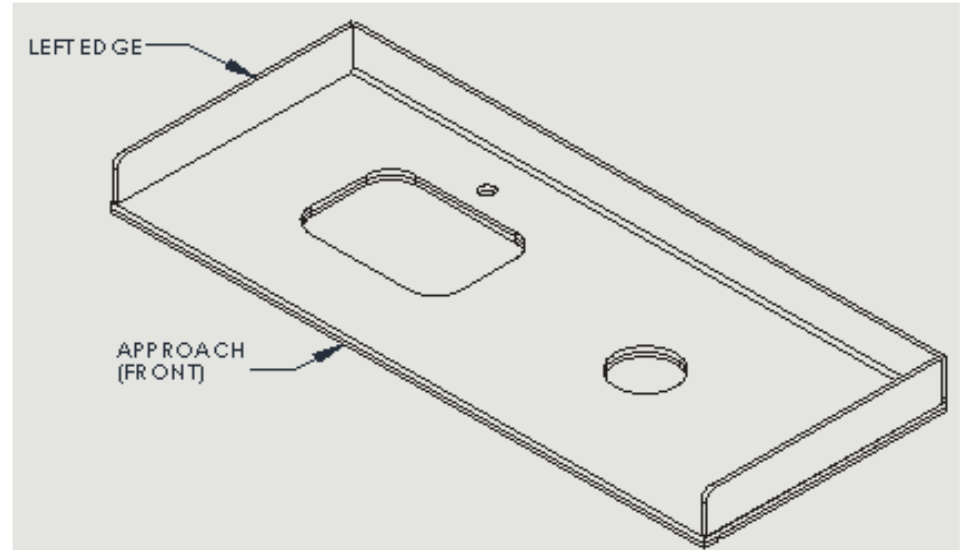


Created By: _____

Created Date: _____

Order # _____

Line # _____



(A) Sink Location: _____

(B) Waste Ring Location: _____

NOTE: Waste ring is centered front to back in the top unless otherwise specified.

