



**carolina**  
an OFS company

## July 2021 Update

---

Effective July 5, 2021, OFS and Carolina will implement a price increase as outlined below. See online pricing tools for most up to date pricing.

### **4.5% increase on the OFS portfolio with exceptions below**

- 2% increase on Agile, Applause, Genus, Impulse, Intermix, Kasura, Pulse, Range, Rein, Staks

### **4.5% increase on the Carolina portfolio with exceptions below**

- 2% increase on Knack, Logique, Mile Marker, Rein+, Reservoir, Theatre, X & O tables

# Carolina Mile Marker Price List

---

February 1, 2021





**OUR COMMITMENT TO OUR CUSTOMER**

OFS and Carolina products are manufactured with careful attention to detail and with an on-going commitment to achieve a level of quality that is free of defects in materials and workmanship, given normal use and proper care. In an effort to stand by this philosophy, OFS and Carolina, hereby warrants, to the original purchaser of the product and from the original date of purchase.

OFS products warrant to 12 years on single-shift applications with exceptions noted below.

Carolina products warrant to 12 years on multi-shift applications with exceptions noted below.

OFS and Carolina will repair or replace, at our discretion without charge to the original purchaser, any product or part thereof which fails as the result of such a defect during the warranty period. In the event any product has to be returned to the factory for verification of a complaint, it must be pre-authorized by the factory and shipped prepaid along with written information containing the name of the original purchaser, original invoice number, and a copy of the original purchase order. If the product is returned to an authorized dealer for repairs, OFS and Carolina will provide the materials to repair the product free of charge, including transportation cost.

**EXCEPTIONS TO THE 12 YEAR WARRANTY:**

Category	Years Under Warranty					
	1	2	3	5	10	Lifetime
<b>ANCILLARY AND WORK SPACE</b>						
All drawer glide suspensions						X
All locking mechanisms						X
Base height adjustable mechanism				X		
Casters, Glides, Control Mechanisms and Pneumatic Cylinders						X
Foam, Mesh Material		X		X		
<b>WORK CHAIRS</b>	<b>1</b>	<b>2</b>	<b>3</b>	<b>5</b>	<b>10</b>	<b>Lifetime</b>
Foam, Mesh Material		X				
Work Chairs with heavy duty upgrades					X	
<b>CAROLINA</b>	<b>1</b>	<b>2</b>	<b>3</b>	<b>5</b>	<b>10</b>	<b>Lifetime</b>
Foam, Mesh Material		X				
Recliner components, sleeper chair mechanisms and accessories				X		
Recliner mechanisms					X	
Three Position Recliner & wall saver mechanisms				X		
<b>OTHER</b>	<b>1</b>	<b>2</b>	<b>3</b>	<b>5</b>	<b>10</b>	<b>Lifetime</b>
Electrical components/Power Supplies	X					
Remote control projection screen		X				
Task Lights			X			

Warranty does not cover:

- Natural variations in color, grain, or texture of wood, leather and other textiles over which OFS and Carolina has no control.
- Normal aging and wear of textiles, filling materials and finishes are exempted from this warranty.
- Textile color matching, textile puddling, fastness of colors or wearing qualities of any material.
- Slight differences in textile color due to supplier dye lot differences on large orders or on repeat orders placed at later dates from the original order.
- Labor and service not covered under warranty.
- Customer's Own Material (COM/COV/COL) is not covered by the textiles warranty. Any warranty claims for these upholstery materials will fall to the original vendor of the textile. With a broad spectrum of harsh cleaning agents used by facilities, it is recommended that the owner test each textile selection with their specific cleaning methods before ordering.
- OFS or Carolina products or components attached in some manner to any other manufacturer's products or components (i.e. OFS conference tops to another manufacturer's base).
- Damage caused by a transportation company.
- Damage created by loading file drawers with anything other than hanging files.
- Freight or other shipping charges on returned product or parts, labor and service.



**TEXTILES**

OFS and Carolina will evaluate the textile to determine its possible use on our furniture, but this does not warrant or guarantee the performance of the textile. OFS and Carolina warrants the workmanship (cutting, sewing, upholstery fit) of textiles to perform under normal aging and wear when cared for according to cleaning and maintenance guidelines provided by the textile supplier/manufacturer. With a broad spectrum of harsh cleaning agents used by facilities, it is recommended that the owner test each textile selection with their specific cleaning methods before ordering. If any textiles exhibit deterioration, delamination or other failure not associated with the application to OFS or Carolina products or due to cleaning methods, OFS and Carolina will not be responsible for costs associated with recovering or replacement. Textiles on products with a heavy duty upgrade must exceed 100,000 double rubs for the textile workmanship portion of the warranty to apply.

**PRODUCT DESIGN & DISCONTINUED PRODUCTS**

OFS and Carolina reserves the right to make alterations in design and construction or discontinue products without prior notice. If items are discontinued, OFS and Carolina reserves the right to repair or replace defective components with equivalent components, if available.

**LIMITATION OF LIABILITY**

Except as otherwise provided, OFS and Carolina make no other warranties, expressed or implied, including but not limited to the warranties of merchantability and fitness for a particular purpose.

Under no circumstances, including but not limited to breach of contract, breach of warranty or negligence, shall OFS and Carolina be liable for lost profits, loss of goodwill, stored data, general, special, consequential or exemplary damages, even if OFS and Carolina had notice of these damages or they were foreseeable. OFS and Carolina shall not be liable for consequential or incidental damages arising from any product defect. OFS and Carolina shall not be responsible for verifying Dealer's or customer's description of needs, data, or the fitness for a particular purpose of goods. OFS and Carolina liability in all cases shall be limited to repair or replacement of the defective parts, or the purchase price of the product. Damages resulting from user modifications, attachments to a product, misuse, abuse, alteration, negligent use, accidents, improper or lack of maintenance and damage in transportation are not covered under this warranty.

This warranty is applicable only to those products actually manufactured by OFS and Carolina. On product furnished by OFS and Carolina, but with components or equipment manufactured by others, including, but not limited to, foam, mechanisms, casters and textiles, the written warranty, if any, of the manufacturer is assigned to the purchaser.

**POSSESSION OF THE PRICE LIST DOES NOT CONSTITUTE AN OFFER TO SELL. WE RESERVE THE RIGHT TO MODIFY PRODUCTS, PRICES OR DISCONTINUE ITEMS WITHOUT PRIOR NOTIFICATION.**

**ORDERING INFORMATION**

All orders should be placed with:

**OFS**  
P.O. Box 100  
Huntingburg, IN 47542  
800-521-5381 Fax 812-683-7256  
order\_entry@ofs.com

**Carolina**  
P.O. Box 4398  
Archdale, NC 27263  
800-763-0212 Fax 336-431-9400  
oenc@ofs.com

**ORDER MUST INCLUDE**

- Company name, address, telephone and fax number
- Contact person
- Authorized signature
- Purchase order number
- Sold to address & ship to address
- Order date
- Requested ship date
- Complete style number
- Fabric/Vinyl/Leather grade, vendor, pattern and color
- Correct Net Dealer pricing
- Any special instructions
- CDA (if applicable)

**NOTE: A customer drawing or sketch of the planned configuration in modular applications will facilitate order processing.**

**PRICES**

All prices herein are list prices including delivery to one destination, effective with the date printed on the cover, and supersede all other published price lists. US List Prices are domestic prices only for shipment within the Continental United States. Prices are subject to change without notice, unless quoted in writing. Possession of the price list does not constitute authority to sell or offer for sale OFS and Carolina products.

**ACKNOWLEDGMENTS**

Orders are acknowledged upon receipt of credit approval. Your acknowledgment is a detailed description of items, prices, shipping information and shipping date. Please read your acknowledgment closely and notify OFS and Carolina immediately of any discrepancies. OFS and Carolina are not responsible for errors on orders placed by phone without written confirmation.



**AVAILABILITY**

OFS and Carolina are committed to the fastest possible shipment of all products. All other items are available within our normal manufacturing schedule. For information on stock availability, call our customer service hotline 800.521.5381 for OFS and 800.763.0212 for Carolina.

**Note:** Planned shipping dates may be delayed due to fires, strikes, natural disasters or other causes beyond our control.

**QUANTITY ORDERS**

Contact your OFS or Carolina Customer Service Representative to verify inventory and production schedules to ensure requested shipment date prior to placing large quantity orders.

**DELIVERY AND FREIGHT CHARGES**

All shipments are F.O.B. point of shipment, freight prepaid and allowed, excluding fuel surcharges. Shipments outside of the Continental United States are freight prepaid and allowed to port of exit. OFS and Carolina reserve the right to select the most appropriate carrier and routing on all shipments; however, we will try to accommodate requests for your preferred carrier. OFS and Carolina reserve the right to implement a fuel surcharge. Any charges arising from failure to receive a shipment, rerouting while in transit or carrier storage charges are not included in prices shown. Orders requiring special services are subject to an additional charge.

**These services include:**

- Reconsignment from original destination to new destination. . . . . **\$35 plus \$3.00 per mile net**
- Refused/Returned Freight
  - Freight refused at destination and returned to OFS or Carolina . . . . . **Double Freight**
  - Freight refused at time of delivery; returned to OFS or Carolina to deliver at a later date . . . . . **Triple Freight**
- Detention Fees (after 2 hours of waiting) . . . . . **\$85 net per hour**
- Weekend delivery available Friday after 3:00 p.m. through Sunday night or Holiday . . . . . **\$600 net per truck**
- Customer Pickup
  - Customer Request for 3rd party to pick up freight at OFS or Carolina terminal . . . . . **\$125 net**
- Change of Tags/Address/Phone #'s on Shipments . . . . . **\$35 net**

**SPECIAL ORDERS**

The OFS and Carolina lines of office furniture are among the most complete in the industry. However, should a particular need arise requiring size modification or customization, contact your Customer Service Representative for a price quotation. Because of the uniqueness of the product, special orders are not subject to cancellation.

**CANCELLATION AND ORDER CHANGES**

All orders accepted by OFS and Carolina are considered firm and binding and are not subject to cancellation.

**WAREHOUSE STORAGE CHARGES**

If a shipment is held beyond fourteen (14) calendar days after the order is ready for shipment at your request, a .067% per day (2% per month) storage charge will be assessed. The effective date will be fourteen (14) calendar days after the order is ready for shipment, as long as this date is after the acknowledged ship date. Further, the prices applied to the order will be those prices in effect at time of shipment.

**EXTENDED PRODUCTION AND SHIP DATES**

Orders placed with OFS and Carolina with extended lead times as requested by you will be subject to price in effect at time of shipment.

**DAMAGED MERCHANDISE AND FREIGHT CLAIMS**

1. Inspect all cartons for damage and carton quantity. All shipments are delivered to the transportation company in good condition; OFS' and Carolina's liability ceases at this time. Do not refuse merchandise damaged in transit. Instead, enter a claim with the transportation company
2. Record damages and/or shortages on the bill of lading and freight bill. Do not accept the shipment until all shortages are noted on both the bill of lading and the freight bill. Sign only for the items you receive. If you give the delivering carrier a clear receipt for a shipment, the carrier is relieved of further responsibility.
3. If concealed damage is found: Notify the delivering carrier at once and request an inspection. For shipments via Styline Logistics, notify your OFS or Carolina Customer Service Representative. This must be done within twenty (20) calendar days of delivery. Without this inspection the transportation company will not entertain a claim for loss or damage. If the carrier will not perform the inspection, you should prepare an affidavit that you contacted the carrier, noting the time and date, and that the carrier failed to comply with your request. All shipping cartons and inner packing must be retained for carrier inspection. Do not move the damaged merchandise from the receiving location. It must also be retained for the inspection.



### **RETURN OF MERCHANDISE**

OFS or Carolina will not accept returned merchandise without a signed Return Authorization (RA) issued by our Customer Service Department. All returned merchandise must be properly packaged and cartoned to prevent further damage. Carton must be clearly marked with identifying RA number so that proper credit can be issued. We will consider issuing RAs for the following reasons:

- Manufacturing defect (must be inspected by a OFS or Carolina Sales Representative)
- OFS or Carolina order processing error
- Shipping error
- Duplicate shipments
- Mismarked cartons

All merchandise must be returned within thirty (30) days of the date of the RA to receive credit. Freight damage, signs of usage, missing parts, etc. will be adjusted on the amount of credit to be issued.

### **REPAIR CHARGES**

Reimbursement from OFS or Carolina for repairs must have prior approval.

### **CUSTOM FINISH COLOR**

Custom finish matching is available for special requirements. OFS and Carolina must be provided with a suitable 8" x 10" or larger finish sample. However, custom finishes can be developed to meet specific needs. There will be a \$300 net upcharge per order for new custom finishes (waived on projects of \$100,000 net price or more). Custom finish upcharge for repeat or additional orders will be \$150 per order, even when the upcharge was waived on the original project. Custom finish matches are valid for 12 months from sample date. After this time period, custom finishes must be rematched and reapproved for use.

### **FINISH DISCLAIMER**

Some desktop accessories with plastic feet can penetrate or burn the finish. This is not a defect in the finish. Wood is a natural product and minor variations in wood color, grain and texture may be visible even though the pieces are finished at the same time. Also, light finishes when exposed to ultraviolet rays may darken and change color. These are not defects in finish, and merchandise cannot be replaced because of these natural variations.

### **BIFMA AND ANSI TESTING**

OFS and Carolina are members of the Business and Institutional Furniture Manufacturer's Association. Tests developed by BIFMA and approved by the American National Standards Institute (ANSI) determine the strength and durability of casegoods and seating in its everyday use. Although this testing does not serve as a warranty or guarantee, OFS and Carolina products within this price list generally meet or exceed applicable BIFMA and ANSI standards.

### **MODIFICATION PRICING**

Modifications must be clearly designated on customer's purchase order by placing the letters MOD and modification # in front of the model number and noting the modification needed.

**Example:** MOD#2-4-9622MCT-LC2-EW-G1-G1 with top cut down to 94" wide

Contact your Customer Service Representative for upcharge on drawer configuration changes for traditional casegoods series.

### **GLIDES**

OFS and Carolina utilizes different types of glides in our seating and occasional tables construction, ie; non-marring, non-skid glides, adjustable glides, plastic glides, etc. The type of glide used in a product depends on the products design and typical application. Due to varying flooring materials and our inability to test on all flooring types, **OFS and Carolina assumes no responsibility for floors damaged by glides. For questions regarding glides, or to request specific glides contact Customer Service.**

### **FABRIC PUDDLING**

The content of certain fabrics makes these fabrics susceptible to puddling and wrinkling over which OFS and Carolina have no control. Slight changes in weather and humidity can affect these fabrics. OFS and Carolina will not assume responsibility when this happens.

### **FABRIC COLOR MATCHING**

OFS and Carolina do not guarantee and will not assume responsibility for the fastness of colors or wearing qualities of any material. Because of industry dye lot variations, colors may not match exactly. Any adjustments made will depend upon the fabric manufacturers willingness to stand behind their product.

### **CUT YARDAGE FABRICS**

Cut yardage from any OFS and Carolina Textile partner may be purchased through OFS and Carolina. Contact Customer Service for cut yardage pricing.



**DIRECTIONAL FABRICS**

Directional fabrics such as plaids, stripes and certain patterns may not meet your expectations due to certain sewing patterns, tufting and contoured shapes of certain styles and models. When required we will upholster to customer specifications but such orders are not subject to return. If you have a question or concern about one of these fabrics, please contact your Customer Service Representative and submit a fabric sample for approval prior to placing an order.

**FABRIC APPLICATION**

OFS and Carolina will match all fabrics that require matching such as plaids, stripes, or prints. Unless otherwise noted on the customer’s purchase order, OFS and Carolina will apply textiles to upholstered items in the manner which we deem to be most appealing. OFS and Carolina take no responsibility for the direction in which textiles are applied unless the desired direction is notes on the customer purchase order. OFS and Carolina reserve the right to reject textiles we deem unsuitable for application on our products.

**GUARANTEE**

Although every effort is made to select covering materials for wearability as well as appeal, we CANNOT guarantee covers for wearability or colorfastness. We can extend only that guarantee which the supplier extends to us.

**FIRE RETARDANT PRODUCTS**

California Technical Bulletin 117-2013: All OFS and Carolina upholstered seating products and the resilient filling materials used in the upholstered seating products meet or exceed the requirements of the State of California, Department of Consumer Affairs, Technical Bulletin 117-2013. Compliance with these requirements is indicated by the label attached to the seat bottom.

Flame Retardant Chemicals: All standard OFS and Carolina upholstered seating products are offered with components, as identified in TB117-2013, that are free of flame retardant chemicals. All OFS and Carolina upholstered seating products will indicate Flame Retardant chemical composition in accordance to the labeling requirements of California Senate Bill 1019.

California Technical Bulletin 133: Cal TB 133 is a flammability test for seating products used in public spaces. The testing procedure for Cal TB 133 requires the burning of an entire product since the test is a composite test and not a component test. OFS and Carolina have pretested and certified many different chair styles and upholsteries. If Cal TB 133 certification is required, a burn test may need to be completed with a specific model and upholstery combination. Contact Customer Service for Cal TB 133 approval, pricing and lead times.

OFS and Carolina can not be held liable if purchase order does not indicate a requirement for Cal TB 133 compliance.

**TEXTILES**

OFS and Carolina offer an extensive program of graded-in textiles including fabrics, leathers, vinyls, polyurethanes and Cryptons® from the industry’s finest sources. While our binders may not include cards from every supplier, we do maintain programs with the following:

NOTE: For a list of current OFS and Carolina grades visit the textiles section of the OFS and Carolina websites at: ofs.com and carolina.ofs.com

**FABRIC PARTNERS**

- **ARC-COM**  
www.arc-com.com
- **ARCHITEX**  
www.architex-ljh.com
- **CAMIRA**  
www.camirafabrics.com
- **CARNEGIE**  
www.carnegiefabrics.com
- **HELVETIA LEATHER**  
www.helvetialeather.com
- **DESIGNTEX**  
www.designtex.com
- **GREEN HIDES**  
www.greenhides.com

- **MAHARAM**  
www.maharam.com
- **MAYER FABRICS**  
www.mayerfabrics.com
- **MOMENTUM**  
www.themomgroup.com
- **SPRADLING INTERNATIONAL, INC.**  
www.spradlingvinyl.com
- **STINSON**  
www.cfstinson.com
- **ULTRAFABRICS**  
www.ultrafabricsllc.com



**KEYLESS CABINET LOCKING SYSTEM**

Keyless cabinet locking system uses radio frequency technology. One transmitter pad can operate single or multiple receiver latches. The locking system operates with separate and programmable user and supervisor codes. Optional modes are available for manual locking, self locking or single use locking of drawers and doors. Please contact your Customer Service Representative for applicability and for a price quotation.

**RE-KEYING IN THE FIELD**

Lock cores and keys can be purchased separately. The purchase order must specify color, type, starting key # and number of sets (available in nickel, brass or black). Key numbers above number 150 are not stocked and may require a 3-week lead time. Orders ship standard FedEx ground. Please note: A Core Change must be ordered for lock cores that will be re-keyed in the field.

**ITEM**

- LOCK - Set - (1, 2, 3, 4 or 5) ..... **\$22 list**
- Core Change ..... **\$33 list**
- Master Key ..... **\$33 list**

**ALL ITEMS ARE NON-RETURNABLE.**



**FIELD INSTALLED CORES & KEYS**

**Field Installed Cores & Keys**

Select the "LOCK" option when ordering product with a lock. The product will initially ship with a plastic plug, which will be removed in the field and the lock core installed.

Cores & Keys will ship in a separate package. Multiple cores and keys may be shipped together in one package.

You do not need a Core Change to install the original lock core. Once installed, a Core Change is required for removal. A Core Change may be ordered for \$32 list.

**USING LOCK OPTION**

When using "LOCK" option your cores and keys must be ordered separately by ordering LOCK-SET(s) (see below for ordering instructions) to satisfy the number of locking mechanisms required for product on your PO.

Five lock core models are available to pick from to be field installed. They are:

**LOCK-SET- 1**

This includes 1 core & 1 key



**LOCK-SET- 2**

This includes 2 cores & 2 keys



**LOCK-SET- 3**

This includes 3 cores & 3 keys



**LOCK-SET- 4**

This includes 4 cores & 4 keys



**LOCK-SET- 5**

This includes 5 cores & 5 keys



The options available on these models are:

OPTION 1: Color (Black, Nickel or Brass)

OPTION 2: Type (Alike, Random or Consecutive)

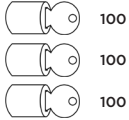
OPTION 3: Starting Key # (This applies to the Alike and Consecutive types only)

OPTION 4: Number of Sets

**KEYING TYPES**

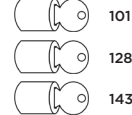
Three keying options are available to pick from to be field installed. (Keyed Alike, Keyed Random & Keyed Consecutive)

**Keyed Alike** all cores and keys on that line will match the starting key number selected.

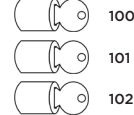


**Keyed Random** all cores and keys on that line will be randomly selected. You do not have to pick a key number with this option.

*Note: you could end up with two of the same number when ordering large quantities.*



**Keyed Consecutive** all keys included in the quantity will be numbered in consecutive order starting with the starting key number you select. This will make sure no two numbers are the same. You must pick a starting key number.



Standard Key # numbers range between 100-200 when using the Nickel color and 100-150 when using Black or Brass. Additional numbers 151-999 are available when using Black or Nickel Cores. There is no additional charge for key numbers 151-999 but they could potentially add additional lead time.

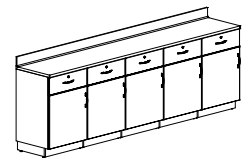
**EXAMPLES**

**Example of using Keyed Alike**

If you have one office that requires multiple cores & keys which all need to be the same lock number you could order

Model	Color	Type	Starting #	Number of Sets
LOCK-SET-5	Black	Alike	100	1

In this scenarios you would receive (5) cores and keys with the key number of 100.

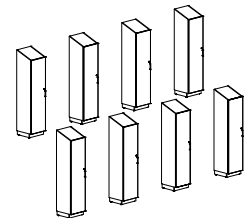


**Example of using Keyed Random**

If you had 8 rooms that required one unique core & key per user you could order

Model	Color	Type	Starting #	Number of Sets
LOCK-SET-1	Black	Random	n/a	8

In this scenario you would receive (8) cores and keys consisting of 8 different numbers chosen randomly.

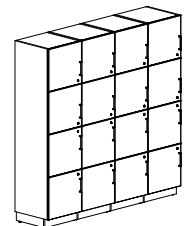


**Example of using Keyed Consecutive**

If you had multiple units and multiple locks per unit that required (1) cores & key per unit opening you could order

Model	Color	Type	Starting #	Number of Sets
LOCK-SET-1	Black	Consecutive	100	16

In this scenario you would receive (16) cores and keys consisting of key numbers that would start from 100. You would have (1) 100, (1) 101, (1) 102 and (1) 115.





**COM/ (CUSTOMER'S OWN MATERIAL) & GRADED-IN TEXTILE POLICY**

OFS and Carolina will evaluate the fabric to determine if it is possible to use this type of fabric on our furniture, but this does not warrant or determine the performance of the fabric. Any warranty claims for these upholstery materials will fall to the original vendor of the fabric, not OFS or Carolina. With a broad spectrum of harsh cleaning agents used by facilities, OFS and Carolina recommend that the owner test each fabric selection with their specific cleaning methods before ordering

**COM/COL ORDERING INSTRUCTIONS**

All COM and COL materials must be submitted to OFS and Carolina for preliminary approval prior to shipment of fabric or leather. Approval signifies only that such materials can be applied to the products for which they are intended. Such approval does not constitute any responsibility nor any warranty on the part of OFS or Carolina as to the appearance, behavior or durability of the COM or COL.

1. Send 4" x 4" swatch for approval to: **Carolina, Attn: Customer Service, 1264 Jackson Lake Rd., High Point, NC, 27263**
2. Send a swatch along with the order to: **Carolina, Attn: Customer Service, 1264 Jackson Lake Rd., High Point, NC, 27263**  
This sample is used to verify that the correct fabric is received. It is not used for application approval.
3. Specify the COM or COL supplier's company name, pattern, color and number.
4. The COM or COL supplier must include the dealer name and purchase order number on all packing lists.
5. Include application instructions for striped, plaid, patterned or unusually designed fabrics (i.e. direction of stripes) and which face to use on reversible fabrics.
6. Ship COM or COL material prepaid to: **Carolina, 533 Archdale Blvd., Archdale, NC, 27263**

COM and COL orders will be scheduled for production only upon receipt of production yardage. In the absence of a representative sample sent with the purchase order or application instructions, OFS and Carolina will apply the fabric in what it determines to be the best manner and cannot be held responsible after upholstering. **Excess COM/COL materials will be discarded at the discretion of OFS and Carolina unless otherwise instructed by the customer at the time the order is placed.**

**COM YARDAGE REQUIREMENTS (RAILROADED FABRICS)**

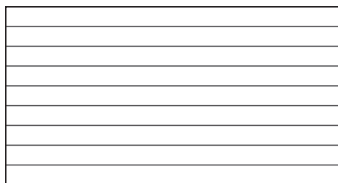
Yardage requirements listed in our price list are based on 54" wide. We can take no responsibility for tailoring, wearability or application of COM covers. OFS and Carolina will not be held responsible for receipt of defective fabrics, as we apply all COM as first quality goods. At no additional charge, OFS and Carolina will pre-approve any COM at the customer's request. The additional yardages are based on 54" wide goods. Please contact Customer Service if goods are less than 54" wide. **Though every effort has been made to estimate excess yardage required for stripes and matches, OFS and Carolina takes NO responsibility where additional materials must be ordered..**

Repeat ranges are calculated by using the higher repeat i.e. If the repeat is 13V x 15H you would use 15H to calculate the extra yardage needed.

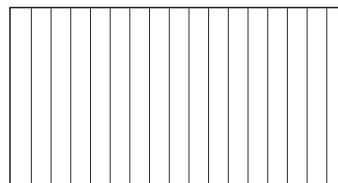
Repeat	Railroad (RR)	Direct	2-Way-Repeat in 2 Directions
1/4"-5"	Add 10%	Add 15%	Add 15%
6"-9"	Add 15%	Add 18%	Add 20%
10"-13"	Add 30%	Add 35%	Add 40%
14"-19"	Add 45%	Add 55%	Add 60%

**Repeats larger than 19", fabrics less than 54" wide or fabrics requiring matching (stripes, plaids, prints, large patterns) will require additional yardage based on the fabric used and the item ordered. COM must be a single cut piece. Multiple pieces will require more yardage.** A swatch showing one full repeat must be sent for yardage requirement instructions for these special circumstances. Please contact your customer service representative for assistance.

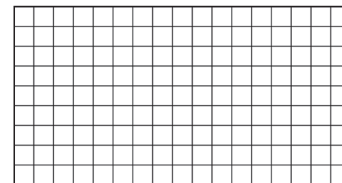
**Railroad**



**Direct**



**2-Way**



**COM APPLICATION**

All COM fabrics are cut according to the fabric pattern at the discretion of OFS and Carolina unless otherwise directed by the customer.





**COM FIRE RETARDANT PRODUCTS**

OFS and Carolina assume no responsibility for the fire retardancy of any COM/COL. Customers are solely responsible for making sure that their COM/COL complies with all applicable codes and regulations.

**COL (CUSTOMER'S OWN LEATHER)**

COL requirements are based on an average hide size of 50-55 square feet. Please consult the sales office for requirements on sizes different from this. All square footage requirements are based on usable footage. The shape of the hide and the usable footage may make it necessary for us to request more leather after your COL is received. Please note that leather is a natural product and variation in texture is a pleasing quality belonging exclusively to high grade, full top grain leathers. Due to the variation in thickness of leather, OFS and Carolina recommends sending a 4" x 4" swatch for approval. OFS and Carolina approval signifies only that such materials can be applied to the products for which they are intended. Such approval does not constitute any responsibility nor any warranty on the part of OFS and Carolina as to the appearance, behavior or durability of the COL. **Note: Calf hide requirements will vary based on the chair model selected. Please contact the sales office for pattern adaptability confirmation and square footage requirements prior to placing an order.**



## **HPL, TFL & 3DL**

### **High Pressure Laminate (HPL)**

HPL is produced by saturating multiple layers of kraft paper with phenolic resin. A layer of printed décor paper is placed on top of the kraft paper before pressing and is then fused together under heat and pressure. HPL is laminated to a panel and then attached to a substrate. Due to its durability, HPL is a common choice for horizontal surfaces. It also performs well in horizontal and vertical applications for high traffic settings such as office furniture, healthcare, casework, commercial, healthcare and educational facilities.

### **Thermally Fused Laminate (TFL)**

TFL is made by fusing a resin-impregnated sheet of décor paper directly to a substrate, the resulting panel is ready for finishing. Heat and pressure activate the resin in the saturated TFL sheet creating a cross-linked bond with the substrate, which effectively seals it. Due to the performance, design flexibility and cost advantages, TFL offers an excellent option for designers and specifiers. TFL is a durable choice for office furniture, healthcare, casework, commercial, healthcare and educational facilities.

### **3D Laminate Thermally Fused Laminate to a Continuous Edge Profile (3DL)**

Known as rigid thermoformable foil (RTF), three-dimensional laminate (3DL) is a thermoplastic film overlay. It provides end users the freedom to design components with contoured surface profiles and seamless edges without requiring edge treatments. 3DLs are primarily made of polyvinyl chloride (PP) and polyester (PET) films. They can be seamlessly membrane pressed or vacuum formed around contoured components, including edges. 3D laminates are resistant to chipping, cracking or breaking. In addition, their application seals the core panel substrate from bacteria and moisture, which make them a popular choice in healthcare settings.



- TFL - MATCHING PP EDGE**  
THERMALLY-FUSED LAMINATE (TFL) AND PP OPTIONS FOR CHASSIS/DOOR & DRAWER
- WOOD GRAINS**
- CHERRY**
- SIENNA [LC2]
  - MOCHA [MC2]
  - MOLASSES [QE2]
- WALNUT**
- BURNISHED [BU2]
  - TOFFEE [EN2]
  - ROOT [NW2]
  - KODIAK [KD2]
  - COGNAC [VM2]
  - DESERT [DS2]
- MAPLE**
- BLONDE [BE2]
  - HONEY [MH2]
  - OCHRE [LM2]
- OAK**
- LINEN [CO2]
  - PECAN [PC2]
  - STEEL [ST2]
  - QUARRY [QR2]
- TEXTURED LAMINATES (10% UPCHARGE)**
- NATURAL CHAMPAGNE [NG2]
  - NATURAL STEAMWASH [NH2]
- SOLID COLORS**
- BLACK [BL2]
  - FROSTY WHITE [FW2]
  - GREY [GR2]
  - PURE WHITE [RW2]
  - SLATE GREY [SG2]

- HPL**  
HIGH PRESSURE LAMINATE (HPL) FOR WORK SURFACES & TOPS
- WOOD GRAINS**
- CHERRY**
- SIENNA [CHP]
  - MOCHA [CMP]
  - MOLASSES [QEP]
- WALNUT**
- BURNISHED [BUP]
  - TOFFEE [MEP]
  - ROOT [NWP]
  - KODIAK [KDP]
  - COGNAC [MGP]
  - DESERT [DSP]
- MAPLE**
- BLONDE [BEP]
  - HONEY [HNP]
  - OCHRE [TMP]
- OAK**
- LINEN [COP]
  - PECAN [PCP]
  - STEEL [STP]
  - QUARRY [QRP]
- TEXTURED LAMINATES (10% UPCHARGE)**
- NATURAL CHAMPAGNE [NGP]
  - NATURAL STEAMWASH [NHG]
- SOLID COLORS**
- BLACK [BLP]
  - FROSTY WHITE [FWP]
  - GREY [GRP]
  - PURE WHITE [RWP]
  - SLATE GREY [SGP]

- 3D LAMINATES**  
THERMOFORM 3D LAMINATE (3DL) FOR TOPS
- WOOD GRAINS**
- CHERRY**
- SIENNA [LC3]
  - MOCHA [MC3]
  - MOLASSES [QE3]
- WALNUT**
- BURNISHED [BU3]
  - TOFFEE [EN3]
  - ROOT [NW3]
  - KODIAK [KD3]
  - COGNAC [VM3]
  - DESERT [DS3]
- MAPLE**
- BLONDE [BE3]
  - HONEY [MH3]
  - OCHRE [LM3]
- OAK**
- LINEN [CO3]
  - PECAN [PC3]
  - STEEL [ST3]
  - QUARRY [No Matching 3DL Available]
- TEXTURED LAMINATES (10% UPCHARGE)**
- NATURAL CHAMPAGNE [NG3]
  - NATURAL STEAMWASH [NH3]
- SOLID COLORS**
- BLACK [BL3]
  - FROSTY WHITE [FW3]
  - GREY [GR3]
  - PURE WHITE [RW3]
  - SLATE GREY [No Matching 3DL Available]

**NOTE:** For other laminates including Wilsonart, Nevamar and Pionite laminates, contact your Customer Service Representative for pricing and availability.



Wilsonart -60 and -38 matte texture standard grade High Pressure Laminates (HPL) are available at standard list prices. Lead times may be extended depending on supplier's availability. Other laminates can be ordered at an upcharge with extended lead times.

Please contact your CSR for a price quotation and availability.

10734-60	Limber Maple	4841-60	Desert Zephyr	7850-60	Beigewood	4838-60	Antique Roca
10745-60	Fonthill Pear	4842-60	Canyon Zephyr	7909-60	Fusion Maple	4860-38	Silver Alchemy
10776-60	Kensington Maple	4843-60	Misted Zephyr	7911-60	Manitoba Maple	4861-38	Gold Alchemy
1500-60	Grey	4844-60	Loden Zephyr	7921-38	Tuscan Walnut	4889-60	Milano Baltic
1503-60	Putty	4845-60	Twilight Zephyr	7925-38	Monticello Maple	4890-60	Milano Blaze
1530-60	Beige	4846-60	Morro Zephyr	7928-38	Castle Oak	4891-60	Milano Rosso
1531-60	Light Beige	4848-38	Mission Sage	7929-38	Huntington Maple	4892-60	Polished Mosaic
1570-60	White	4853-38	Mission Stone	7937-38	River Cherry	4899-38	Frosted Glass
1572-60	Antique White	4854-38	Mission Glaze	7938-38	New Age Oak	4900-38	Sea Glass
1573-60	Frosty White	4856-60	Cloud Zephyr	7946-38	Brazilwood	4901-38	Bottle Glass
1595-60	Black	4857-60	Shadow Zephyr	7953-38	Harvest Maple	7039-38	Windsor Mahogany
1763-60	Brune Slate	4859-60	Spiced Zephyr	7954-38	Natural Rift	7039-60	Windsor Mahogany
1787-60	Oxide	4869-60	Western White	7955-38	Chardonnay	7040-60	Figured Mahogany
2932-60	Almond Leather	4871-60	Western Suede	D14-60	Port	7054-38	Wild Cherry
4142-60	Grey Glace	4872-60	Western Storm	D25-60	Atlantis	7110-60	Montana Walnut
4143-60	Neutral Glace	4873-60	Western Bronze	D30-60	Natural Almond	7122-38	Empire Mahogany
4166-60	Pampas	4874-60	Western Hills	D307-60	Hollyberry	7122-60	Empire Mahogany
4168-60	Grey Pampas	4876-38	Sheer Mesh	D315-60	Platinum	7209-60	Nepal Teak
4170-60	Beige Pampas	4877-38	Grey Mesh	D321-60	Brittany Blue	7885-60	English Oak
4207-60	Fresco	4878-38	Pewter Mesh	D327-60	Pepperdust	7919-38	Amber Cherry
4608-60	Caldera Beige	4879-38	Steel Mesh	D331-60	Sand	7919-60	Amber Cherry
4621-60	White Nebula	4880-38	Carbon Mesh	D354-60	Designer White	7921-60	Tuscan Walnut
4622-60	Grey Nebula	4882-38	Oiled Soapstone	D379-60	Indigo	7922-38	Brighton Walnut
4623-60	Graphite Nebula	4883-38	Sable Soapstone	D381-60	Fashion Grey	7922-60	Brighton Walnut
4630-60	Cloud Nebula	4884-38	Flame Soapstone	D403-60	White Sand	7923-60	Versailles Anigre
4633-60	Natural Nebula	4885-38	Green Soapstone	D417-60	Lapis Blue	7924-38	Biltmore Cherry
4651-60	Navy Legacy	4886-38	Pearl Soapstone	D431-60	Alabaster	7924-60	Biltmore Cherry
4654-60	Olive Legacy	4887-38	Tan Soapstone	D456-60	Café Crème	7925-60	Monticello Maple
4656-60	Bronze Legacy	4888-38	Rustic Slate	D478-60	Amazon	7928-60	Castle Oak
4663-60	Tawny Legacy	4893-60	Tumbled Mosaic	D495-60	Coffee Bean	7929-60	Huntington Maple
4667-60	Green Tigris	4902-38	Mercury Glass	D50-60	Khaki Brown	7933-60	Cafelle
4669-60	Natural Tigris	4903-38	Antique Glass	D79-60	Hunter Green	7935-60	Shaker Cherry
4673-60	Saffron Tigris	4904-38	Desert Springs	D90-60	North Sea	7936-60	Williamsburg Cherry
4674-60	Evening Tigris	4905-38	Spicewood Springs	D91-60	Slate Grey	7937-60	River Cherry
4744-60	Karratha Brush	4906-38	Willow Springs	D92-60	Dove Grey	7938-60	New Age Oak
4745-60	Maroochy Brush	4907-38	Deep Springs	D96-60	Shadow	7939-38	Blond Echo
4746-60	Woolamai Brush	4908-60	White Tea	D97-60	Haze	7941-38	Tan Echo
4757-60	Mystique Moonlight	4909-60	Ginseng Tea			7942-38	Cocobala
4759-60	Mystique Marine	4910-60	Chai Tea			7943-38	Colombian Walnut
4760-60	Mystique Night	4911-38	Soft Gold Mesh			7944-38	Madagascar
4761-60	Mystique Mount	4912-38	Gilded Mesh			7945-38	Xanadu
4762-60	Mystique Dawn	4913-60	Eggplant			7947-38	Rio
4779-60	Pewter Brush	4914-60	Pomegranate			7948-38	Mambo
4783-60	White Tigris	4915-60	Tangerine			7949-38	Asian Night
4793-60	Windswept	4916-60	Sweet Corn	1572-38	Antique White	7951-38	Asian Sun
4794-60	Windswept Bronze	4917-60	Kiwi	1573-38	Frosty White	7952-38	Asian Sand
4795-60	Windswept Pewter	4918-60	Sprout	1755-60	Canyon Black	7956-38	Honduran Mahogany
4796-60	Burnished Chestnut	4919-60	Blue Agave	4550-60	Granite	7957-38	Zanzibar
4798-60	Burnished Ember	4924-38	White Carrara	4551-60	Blackstar Granite	7958-38	Kenya Mahogany
4810-60	Titanium EV	4927-38	Crema Marfil	4552-60	Ebony Star	7959-38	Hampton Walnut
4811-60	Silicon EV	4928-38	Venetian Ivory	4595-60	Bahia Granite	7960-38	Studio Teak
4813-60	Nickel EV	4929-38	Bordeaux Juparana	4724-60	Milano Amber	7961-38	Yarrow
4814-60	Tungsten EV	4930-38	Venetian Ale	4725-60	Milano Brown	7962-38	Aloe
4820-60	Carbon EV	4931-38	White Juparana	4726-60	Milano Quartz	D12-60	Regimental Red
4823-60	Antique Brush	4932-38	Golden Juparana	4728-60	Milano Mahogany	D26-60	Persian Blue
4835-38	Tumbled Roca	7054-60	Wild Cherry	4781-60	Sunstone	D315-38	Platinum
4836-38	Villa Roca	7061-60	Natural Pear	4835-60	Tumbled Roca		
4837-38	Terra Roca	7806-60	Bannister Oak	4836-60	Villa Roca		
4838-38	Antique Roca	7816-60	Solar Oak	4837-60	Terra Roca		

**THE FOLLOWING WILSONART  
STANDARD PATTERN HPL'S  
ARE AVAILABLE AT STANDARD  
LIST PRICES WITH EXTENDED  
LEAD TIMES.**



**CORIAN®**

**Tier 1**

Abalon  
Bisque  
Bone  
Cameo White  
Glacier White  
Linen  
Maui  
Sahara  
Sandstone  
Silver Gray  
Vanilla

**Tier 2**

Antarctica  
Aurora  
Blue Pebble  
Canyon  
Cocoa Brown  
Designer White  
Modern White  
Savannah  
Stratus  
Summit White

**Tier 3**

Elegant Gray  
Everest  
Pearl Gray  
Platinum  
Seagrass  
Silt  
Sparkling White

**Tier 5**

Arctic Ice  
Canvas  
Concrete  
Cottage Lane  
Deep Black Quartz  
Deep Caviar  
Deep Night Sky  
Dove

**Tier 5 continued**

Fossil  
Granola  
Hot  
Laguna  
Pine  
Raffia  
Rice Paper  
Royal Red  
Seafoam  
Serene Sage  
Suede  
Venaro White  
Verdant  
Whisper  
White Jasmine

**Tier 6**

Arrowroot  
Ash Concrete  
Beech Nuwood  
Carbon Concrete

Clam Shell  
Cool Gray  
Cosmos Prima  
Deep Anthracite  
Deep Bedrock  
Deep Cloud  
Deep Espresso  
Deep Mink  
Deep Nocturne  
Deep Sable  
Deep Space  
Dee Storm  
Deep Titanium

Doeskin  
Earth  
Glacier ICE  
Golden Onyx  
Gray Onyx  
Hazelnut  
Jade Onyx  
Keystone  
Lava Rock  
Limestone Prima  
Mahogany Nuwood  
Matterhorn  
Natural Gray  
Neutral Concrete  
Rain Cloud  
Riverbed  
Rosemary

**Tier 6 continued**

Saffran  
Sandalwood  
Speia Linear  
Silver Birch  
Silver Linear  
Silverite  
Sorrel  
Tumbleweed  
Weathered Concrete  
Whipped Cream  
Willow  
Witch Hazel

**Tier 7**

Ash Aggregate  
Basalt Terrazzo  
Burled Beach  
Carbon Aggregate  
Cirrus White  
Cocoa Prima  
Domino Terrazzo  
Dune Prima  
Ecru  
Elderberry  
Evening Prima  
Graylite  
Juniper  
Milky Way  
Mineral  
Neutral Aggregate  
Nimbus Prima  
Pebble Terrazzo

Sagebrush  
Sand Storm  
Smoke Drift Prima  
Sonora  
Weathered Aggregate  
White Onyx  
Windswept Prima

**LIVINGSTONE®**

**Tier 1**

Flax  
Sand Castle  
Desert  
Santa Fe  
Bechamel  
Icy White  
Brisk  
Frappe  
Snow White  
Starry Night  
Dune  
Key West  
Oyster  
Sable  
Monsoon  
Snowfall  
Fleece  
Carbonite  
Graphite  
Chocolate Chip  
Clay

Wild Pearl  
Medea  
Pebble Beach  
Sedona  
Mesa  
Arroyo  
North Ridge  
Blue Lagoon  
Tundra  
Heatland  
Earth  
Cantera  
Parchment  
Ice Cap  
Nutmeg  
Sailcloth  
Milk Way

**Tier 2**

Polaris  
Brushed Clay  
Ariston  
Volcanic Ash  
Chesnut  
Montana  
Opus  
Ambroxia  
Crystal Ice  
Meridian  
Kona  
Appalachain

Dogwood  
Morocco  
Terra  
**Tier 3**  
Tuscany  
Dakota  
Coral Quartz  
Yukon  
Rolling Sage  
Sand Dollar  
Thunder Cloud  
Shoreline  
Rain Dnace  
Eclipse  
Rock Salt  
Apollo  
Sea Pearl  
Castle Rock  
Avalanch  
Terra Nova  
Caldeonia  
Sage Brush  
Dapple  
Mountain Rose  
Moon Rock  
Seat Coast  
Fossil Creek  
Canyon Creek

**FORMICA®**

**Tier 1**

Almondine  
Artic  
Frost  
Silk  
Sail White  
Silverado  
Black Matrix  
Wheat Matrix  
Copper Matrix  
Bleached Concrete  
Natural Concrete  
White Spex  
Biscuit Spex  
Moss Spex  
Cotta Spex  
Chamois Spex  
Mocha Spex

**Tier 2**

Night Mist  
Ginger Root Mist  
Spanish Paprika Mist  
Pesto Mist  
Desert Mist  
Sierra Mist  
Glacier Ore  
Basilica  
Ebony Mosaic  
Chicory Mosaic  
Pecan Mosaic  
Botanical Mosaic  
Coastal Mosaic

**Tier 2 continued**

River Rock Mosaic  
Luna Sand  
Coffee Silica  
**Tier 3**  
All That Jazz  
Black Lava  
Sea Glass  
Saltillo Stone  
Carrara Stone  
Federal Cornerstone  
Gothic Cornerstone  
Chesapeake Shell  
Shell Stone  
Blanco Terrazzo  
Tawny Agate  
Crema Terrazzo  
E Surf  
E Natural  
E Cafe  
E Earthen  
E Seed  
E Fog  
Pure Ice  
Smoke Ice  
Citron Ice  
Deep Blue Ice  
Creme Graniti  
Mokka Graniti  
Marron Graniti

Gold Nugget  
Bianco Mineral  
Portofino Mineral  
Cramelo Mineral  
Pearl Mica  
Nickel Mica  
Vintage Gr Mica  
Amber Mica  
Mineral Mica  
**Tier 4**  
Copper Artifacts  
Treasure Artifacts  
Burnished Artifacts  
Spa Artifacts



**HI-MACS®**

**Tier 1**

Almond  
Almond Pearl  
Alpine White  
Arctic White  
Annato Granite  
Cream  
Ghost White  
Ivory White  
Moonscape Quartz  
Nordic White  
Steel Gray  
Tusk  
Wallowa  
Winter White

**Tier 2**

Allspice Quartz  
Armadillo  
Black Pearl  
Desert Sand  
Graphite Granite  
Gray Sand  
Harvest  
Lunar Sand  
Merino  
Midnight Pearl  
Mocha Granite  
Moondust  
Pebble Pearl  
Platinum Granite  
Sea Oat Quartz  
Strom Granite  
Tapioca Pearl  
Trail Gray  
Vanilla Sugar  
Venetian Sand  
White Granite

**Tier 3**

Alabaster  
Arctic Granite  
Bamboo Leaf  
Banana  
Basilica  
Bellany  
Black  
Black Granite  
Breeze  
Chic Concrete  
Cobblestone  
Coffee Brown  
Colosseum  
Concrete Gray  
Coswal  
Crystal Beaigne  
Diamond Dust  
Egg White  
Fiery Red  
Frostine  
Geyser  
Glacial Glitz  
Gray (Bright Gray)

**HI-MACS®**

**Tier 3 continued**

Gray Granite  
Harmony  
Haze  
Honeysuckle  
Kamet  
Lemongrass  
Luster  
Macchiato  
Maple Meadow  
Marta Gray  
Maui Quartz  
Messa Granite  
Mist  
Moon Haze  
Oatmeal  
Opal  
Pantheon  
Pause  
Populus  
Portland  
Relieve  
Rest  
Ripe Cotton  
Simplicity  
Sonoran Granite  
Steel Concrete  
Toffee Brown  
Tundra Quartz  
Umber Granite  
Urban Concrete

**Tier 4**

Andromeda  
Arcas  
Birch Bark NR  
Carina  
Casera  
Cloud  
Cosmos  
Edessa  
Ferrara  
Genova  
Horse Chesnut NR  
Ice Queen  
Kala Chana  
Kao  
Lago  
Lentil  
Lucca  
Marron  
Merapi  
Milky Way  
Monza  
Naples  
Noble Cane  
Parma  
Pavao  
Pisa  
Pluto  
Saturn  
Shadow Queen

Shasta  
Strato Cloud  
Strato Sand  
Strato Wind  
Sugar Maple NR  
Tambora  
Temi  
Vathi  
Venus  
Volcanic Ice

**WILSONART®**

**Tier 1**

Antique White  
Designer White  
Frosty White

**Tier 2**

Arctic Melange  
Avalanche Melange  
Baja Melange  
Beige Tempest  
Black Onyx Mirage  
Blanco Riverstone  
Bluff Riverstone  
Brooklyn Concrete  
Burnt Amber Mirage  
Caramel Melange  
Cashmere Mirage  
Chai Cream Mirage  
Chicory Cream Melange  
Chilled Earth  
Coconut Oil  
French Blue Melange  
Frosty White Mirage  
Hidden Space  
Hotstone  
Indigo Melange  
Khaki Brown Tempest  
Light Beige Mirage  
Luminous White  
Marzipan Mirage  
Midnight Melange  
Milk Glass Spectra  
Northern Melange  
Oatmeal  
Pearl Mirage  
Quarry Melange  
Raven Mirage  
Sandy Riverstone  
San Gabriel Riverstone  
Soothing Grey  
Steel Grey Tempest  
Titanium Grey  
Yukon Riverstone  
Zen Grey

**Tier 5**

Angel Falls  
Arctic Dune  
Asteroid  
Bluestone  
Champagne Ice  
Chipped Chocolate

Clouded  
Desert Ice  
Dusk Ice  
Europa  
Flint Rock  
Gamet Glitz  
Gold Glitz  
Grey Beola  
Grey Lace  
Jovian  
Kimberlite  
Maple Harvest  
Moon Geyser  
Morning ICE  
Mystique  
Night Stars  
Orion's Belt  
Paris Fog  
Pebble  
Saharan Night  
Sea Stone  
Silver Smoke  
Sonata Chocolate  
Triton  
Tumbled Stone  
White Stone  
Whitewater



### **WOOD CARE**

Careful craftsmanship combined with our Euroluxe finish makes your new OFS wood furniture incredibly durable, and with proper care your furniture will provide beauty and convenience for years.

All OFS products undergo rigid color-match procedures to ensure the best in color consistency.

- Dust frequently using a soft, damp, clean cloth, wiping with the grain.
- Remove liquid spills immediately, using a blotting rather than wiping motion.
- To clean, use a glass cleaner formulated with ammonia. Apply a small amount to a soft dry cloth and wipe in the direction of the grain. Dry with a soft cloth. Do not use furniture polish containing oil or silicone.
- Avoid prolonged exposure to direct sunlight, high humidity, extreme heat or cold and moisture.

### **LAMINATE CARE**

- Avoid prolonged exposure to direct sunlight, high humidity, extreme heat or cold and moisture.
- Dust frequently with a soft, damp, clean cloth or mild detergent solution. Avoid using chemical or abrasive cleaning compounds.
- To avoid build up of cleaning agents, rinse the laminate surface with warm water and wipe with a clean damp cloth.

### **SEATING CARE**

- Dust exposed wood parts frequently using a soft, damp, clean cloth, wiping with the grain.
- To clean wood, use a glass cleaner formulated with ammonia. Apply a small amount to a soft dry cloth and wipe in the direction of the grain. Dry with a soft cloth. Do not use furniture polish containing oil or silicone.
- To clean leather and vinyl upholstery, use a warm, damp cloth to restore a bright finish. For stubborn stains, use a moisturizing soap. Remove lather with a damp cloth, but do not rinse. Buff with a dry cloth.
- For fabric upholstery, use a damp cloth to wipe up spills. For tougher stains, contact your local OFS dealer for cleaning instructions.
- Avoid prolonged exposure to direct sunlight, high humidity, extreme heat or cold and moisture.
- The components of your OFS chair, such as controls, casters and understructure, require “common sense” care and cleaning as necessary.
- Activate chair mechanisms periodically to ensure proper function of moving parts.

### **CORIAN SOLID SURFACE CARE**

- Washing with soap and water is usually sufficient to remove surface dirt or stains.
- Ammonia based liquid cleaner (not window cleaner) may also be used. Always rinse surface thoroughly and wipe dry.
- Drying is an important step, preventing a build-up of soap film or cleaning residue, which can create the appearance of light scratches over time.
- Stubborn soap film or cleaning residue build-up in Corian® is easily removed with abrasive cleanser and a white Scotch-Brite® pad or a sponge.
- For darker colors, a polish may be used to enhance the shine. For areas where there may be food contact, always use a polish formulated for food contact areas, such as Countertop Magic®. Where food contact is not a possibility, a simple furniture polish may be used. Always follow the manufacturer’s instructions for using the polish and for safety concerns.



---

**PLEASE REFERENCE OUR QUICKSHIP PRICEBOOK FOR A COMPLETE LISTING OF AVAILABLE PRODUCT OFFERED ON OUR QUICKSHIP PROGRAM.**







All OFS and Carolina products have achieved **SCS Indoor Advantage Gold Certification** from SCS Global Services. Indoor Advantage Gold certification is SCS Global Services' highest level of indoor air quality performance for furniture. The certification assures that furniture products support a healthy indoor environment by meeting strict chemical emission limits for volatile organic compounds (VOCs). To be certified, products must be tested by independent labs for compliance with the ANSI/BIFMA X7.1, and either ANSI/BIFMA e.3 or CDPH/EHLB Standard Method V1-1 for VOC emissions of concerns.



**level**® is the multi-attribute, sustainability standard and third-party certification program for the furniture industry. It has been created to deliver the most open and transparent means of evaluating and communicating the environmental and social impacts of furniture products in the built environment. Taking into account a company's social actions, energy usage, material selection and human and ecosystem health impacts, level addresses how a product is sustainable from multiple perspectives. With level, customers can make informed choices about commercial furniture that exceed single attribute ecocertifications. The level brand identifies that a product has been vetted by an independent third party certifier and its numeric marking 1, 2, or 3 indicates what threshold of certification it has achieved. Manufacturers—big and small—now have a methodology to present the environmental characteristics in a clear, easily understood manner with a vernacular that gives end users the ability to make an “apples to apples” comparison.



SCS Global Services [**SCS**] has been providing global leadership in third-party quality, environmental and sustainability verification, certification, auditing, testing, and standards development for three decades. Its programs span a cross-section of industries, recognizing achievements in green building, product manufacturing, food and agriculture, forestry, power generation retail, and more. SCS is accredited to provide services under a wide range of nationally and internationally recognized certification programs. Consistent with its mission, SCS is a chartered benefit corporation and Certified B Corp™, reflecting its commitment to socially and environmentally responsible business practices.



The FSC® standards [**Forest Stewardship Council**®] represent the world's strongest system for guiding forest management toward sustainable outcomes. [us.fsc.org](http://us.fsc.org) FSC certified products are manufactured with material that comes from managed forests that are traceable from the time the logs are cut to the time the final project is installed and are recorded by way of a COC or chain of custody claim on all invoices. The demand for certified forest products has grown significantly in recent years. OFS and Carolina goal to act as a responsible steward of the environment encouraged us to pursue our FSC Chain of Custody [COC] certification which would provide our customers (Dealer, A&D Community and End-users) the added reassurance they've done their part to be earth friendly in their product purchase and enable them to substantiate the LEED [**Leadership in Energy and Environmental Design**] Materials & Resources Credits for certified wood, in which the intent is to encourage environmentally responsible forest management. FSC certification is optional on many, but not all, OFS and Carolina's product lines. Please contact OFS and Carolina's Customer Service for information in regards to which of our product lines are available as FSC certified, and what the necessary procedures are for ordering FSC certified products from OFS and Carolina.



OFS and Carolina's company-owned transportation company, Styline Logistics, is **SmartWay**-certified. SmartWay is one of U.S Environmental Protection Agency's [**EPA**] clean air programs that uses voluntary, rather than regulatory methods, to achieve air quality benefits. SmartWay's focus is in the transportation sector, and encompasses products and services associated with fuel-consuming engines.



The "**Premium Indiana Forest Products**" brand tells everyone that there is an abundant, sustainable supply of the finest Indiana hardwoods to meet consumer demand. It also tells them that Indiana's forests are well-managed, legally-harvested and environmentally responsible. The logo is reflective of the wood itself. Indiana hardwoods display a depth that defies imagination.



**Seating with 2 Different Fabrics**

Two Same Grade Fabrics = \$81 chair, \$108 loveseat, \$135 sofa

Two Different Grade Fabrics = Higher of the Two

Three Different Grade Fabrics = Highest of the Three

**NOTE:** Contrasting welt only available in a single fabric. Two-toned welt is not available.

(two-tone diagram required from customer at time of ordering - contact customer service)

**Same Grade  
Fabrics -  
\$83 chair  
\$110 loveseat  
\$138 sofa**

mod#	modification detail	list price
<b>MOD#1</b>	OFS and Carolina Hardware Pulls	<b>\$27 Each</b>
<b>MOD#3</b>	Move or Add Grommets (customer to specify location)	<b>\$75 Each</b>
<b>MOD#11</b>	Seating with 2 Different Fabrics Two Same Grade Fabrics = \$81 chair, \$108 loveseat, \$135 sofa Two Different Grade Fabrics = Higher of the Two Three Different Grade Fabrics = Highest of the Three <b>NOTE:</b> Contrasting welt only available in a single fabric. Two-toned welt is not available. (two-tone diagram required from customer at time of ordering - contact customer service)	<b>Same Grade Fabrics - \$83 chair \$110 loveseat \$138 sofa</b>
<b>MOD#13</b>	Venting Slots (customer to specify location)	<b>\$80</b>
<b>MOD#25</b>	Fabric Treatment Applications A number of protective fabric finishes (e.g. Nanotex, Durablock) are available through various fabric vendors. For these special finish treatments the following upcharges will apply. These upcharges will show as a separate line item on order acknowledgments. Any special fabric treatments should be clearly indicated on the purchase order.  <b>NOTE:</b> For yardage over 35 yards contact Customer Service for pricing.	<b>One Application up to 35 yds -  \$239 per fabric  Two Applications up to 35 yds -  \$346 per fabric</b>

**Liability Clause:**

This pricing structure represents the more commonly requested product modifications. Although these modifications can be applied to the vast majority of products listed in our price books, some modifications cannot be applied to products with non-standard design features. Please contact your Customer Service Representative if you require assistance.

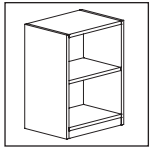
**How to Order:**

Example

<u>Qty</u>	<u>MOD#</u>	<u>Model Number</u>	<u>Modification Detail</u>	<u>Options</u>	<u>Price</u>
1	MOD#3	MM-1214TWBL	Add grommet	FWP-FW2-X9-X9-X9	\$212 + \$75 = \$287

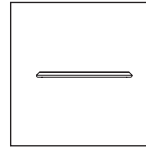
**BASE CABINET DESIGN FEATURES**

Carolina is committed to a better way to experience healthcare. Mile Marker™ offers many built-in standard features and multiple optional upgrades that enhance the beauty and performance of the facility. These extras offer a better experience for the patient and family, and contribute to less stress for staff.



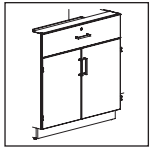
**CHASSIS**

are TFL (Thermally Fused Laminate) with 1 MM edge banding.



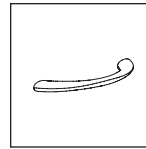
**AWE PULL**

is available in Luster Grey, Bone White, Chalk, Onyx and Satin Nickel.



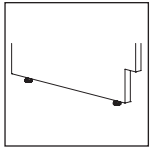
**DOORS AND DRAWERS**

are TFL (Thermally Fused Laminate) with 3 MM PP edges.



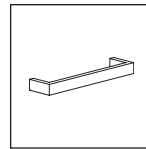
**CREST PULL**

is available in Luster Grey, Bone White, Chalk, Onyx and Satin Nickel.



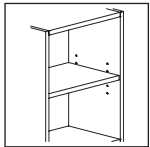
**ADJUSTABLE LEVELERS**

are included on all base cabinets for leveling on uneven floors.



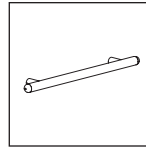
**ERA PULL**

is available in Luster Grey, Bone White, Chalk, Onyx and Satin Nickel.



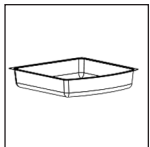
**ADJUSTABLE AND FIXED SHELVES**

available for added flexibility.



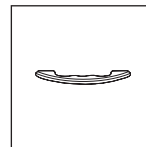
**FORTE PULL**

is available in Luster Grey, Bone White, Chalk, Onyx and Satin Nickel.



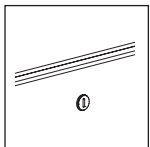
**DRAWER LINERS**

protect drawer interiors and provide easy cleanability of the drawer interior.



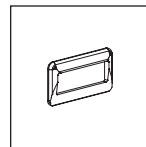
**GRIP PULL**

is available in Luster Grey, Bone White, Chalk, Onyx and Satin Nickel.



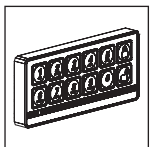
**STANDARD LOCK**

is available in Silver and Black.



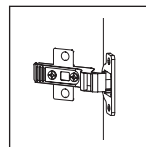
**RECESSED PULL**

is available in Satin Nickel only.

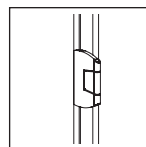


**OPTIONAL KEYLESS LOCK**

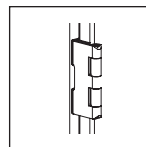
with combination keypad.



**EURO SOFT CLOSE HINGE**



**EURO KNUCKLE HINGE**



**5 KNUCKLE HINGE**

**CHASSIS FINISH**

**EXTERIOR/INTERIOR**

<b>VM2</b> - Cognac	<b>NW2</b> - Root	<b>QR2</b> - Quarry
<b>MC2</b> - Mocha	<b>EN2</b> - Toffee	<b>ST2</b> - Steel
<b>QE2</b> - Molasses	<b>BE2</b> - Blonde	<b>BL2</b> - Black
<b>LC2</b> - Sienna	<b>MH2</b> - Honey	<b>FW2</b> - Frosty White
<b>BU2</b> - Burnished	<b>LM2</b> - Ochre	<b>GR2</b> - Grey
<b>DS2</b> - Desert	<b>CO2</b> - Linen	<b>RW2</b> - Pure White
<b>KD2</b> - Kodiak	<b>PC2</b> - Pecan	<b>SG2</b> - Slate Grey

**10% UPCHARGE**

<b>NH2</b> Natural Champagne	<b>NG2</b> Natural Walnut
---------------------------------	------------------------------

**DOOR/DRAWER**

**FINISH/EDGE FINISH**

<b>VM2</b> - Cognac	<b>NW2</b> - Root	<b>QR2</b> - Quarry
<b>MC2</b> - Mocha	<b>EN2</b> - Toffee	<b>ST2</b> - Steel
<b>QE2</b> - Molasses	<b>BE2</b> - Blonde	<b>BL2</b> - Black
<b>LC2</b> - Sienna	<b>MH2</b> - Honey	<b>FW2</b> - Frosty White
<b>BU2</b> - Burnished	<b>LM2</b> - Ochre	<b>GR2</b> - Grey
<b>DS2</b> - Desert	<b>CO2</b> - Linen	<b>RW2</b> - Pure White
<b>KD2</b> - Kodiak	<b>PC2</b> - Pecan	<b>SG2</b> - Slate Grey

**10% UPCHARGE**

<b>NH2</b> Natural Champagne	<b>NG2</b> Natural Walnut
---------------------------------	------------------------------

**FRONT EDGE FINISH**

**FINISH/EDGE FINISH**

<b>VM2</b> - Cognac	<b>NW2</b> - Root	<b>QR2</b> - Quarry
<b>MC2</b> - Mocha	<b>EN2</b> - Toffee	<b>ST2</b> - Steel
<b>QE2</b> - Molasses	<b>BE2</b> - Blonde	<b>BL2</b> - Black
<b>LC2</b> - Sienna	<b>MH2</b> - Honey	<b>FW2</b> - Frosty White
<b>BU2</b> - Burnished	<b>LM2</b> - Ochre	<b>GR2</b> - Grey
<b>DS2</b> - Desert	<b>CO2</b> - Linen	<b>RW2</b> - Pure White
<b>KD2</b> - Kodiak	<b>PC2</b> - Pecan	<b>SG2</b> - Slate Grey

**10% UPCHARGE**

<b>NH2</b> Natural Champagne	<b>NG2</b> Natural Walnut
---------------------------------	------------------------------

**WASTE RING**

**WGRI** - Waste Ring (24" tall or taller models only) \$98

**SHELF**

**X9** - None, standard  
**B3N** - Fixed (upcharge \$86)  
**R8** - Adjustable (upcharge \$86)

**HINGE**

**LOCATION**

**B3K** - Left  
**B3L** - Right

**OPTIONS (See page 19 for details)**

**B3G** - Euro Soft Close Hinge, standard  
**B3J** - 5 Knuckle Hinge  
**B3H** - Euro Knuckle Hinge (upcharge varies by product)

**PULL/PULL FINISH (see page 19 for details)**

**AS** - No Pull  
**B3D, SNCK** - Recessed - Satin Nickel only  
**Awe** - Luster Grey, Bone White, Chalk, Onyx and Satin Nickel  
**Crest** - Luster Grey, Bone White, Chalk, Onyx and Satin Nickel  
**Era** - Luster Grey, Bone White, Chalk, Onyx and Satin Nickel  
**Forte** - Luster Grey, Bone White, Chalk, Onyx and Satin Nickel  
**Grip** - Luster Grey, Bone White, Chalk, Onyx and Satin Nickel

**LOCKS (see page 19 for details)**

**NL** - No Lock, standard  
**LCK** - Key Specific (upcharge varies by product)  
**B3E** - Keyless Electronic (upcharge varies by product)

**NOTE:** Lock finish will match the Pull Finish selection.

Luster Grey, Bone White, Chalk, and Satin Nickel

**LCK** - Silver  
**H5S** - Silver  
**H5T** - Silver  
**KML1** - White  
**KML2** - White  
**PHL1** - Silver

Onyx  
**LCK** - Black  
**H5S** - Black  
**H5T** - Black  
**KML1** - Black  
**KML2** - Black  
**PHL1** - Black

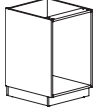
**REMOVABLE DRAWER LINERS**

**Q3** - None, standard  
**Q4** - One Liner (upcharge \$80)  
**Q5** - Two Liners (upcharge \$160)  
**Q6** - Three Liners (upcharge \$240)  
**B3F** - Four Liners (upcharge \$320)

**BASE CABINETS SINGLE**

- 4" recessed toe kick
- Adjustable levelers
- May be installed alone or with multiple base cabinets
- Work Surfaces (sold separately) are attached to top of cabinet
- In order to complete installation, either cove molding or toe kick rail must be adhered. Order cove molding separately, preferably from a local supplier early in the project. See pages 44 and 45 for toe kick rail offerings.
- All Mile Marker cabinetry is required to be anchored to a wall or floor. Installation hardware is not included with cabinets.

**BASE CABINET OPEN**



**17.5" DEEP MODELS**

model	w	d	h	wt	cu ft	List
MM-121833BC	12	17.5	33	45	5.5	\$ 495
MM-151833BC	15	17.5	33	48	6.7	\$ 512
MM-181833BC	18	17.5	33	50	7.9	\$ 529
MM-211833BC	21	17.5	33	55	9.1	\$ 559
MM-241833BC	24	17.5	33	60	10.3	\$ 584
MM-271833BC	27	17.5	33	65	11.5	\$ 600
MM-301833BC	30	17.5	33	70	12.6	\$ 616
MM-331833BC	33	17.5	33	73	13.8	\$ 632
MM-361833BC	36	17.5	33	75	15.0	\$ 646
MM-121836BC	12	17.5	36	50	6.0	\$ 509
MM-151836BC	15	17.5	36	53	7.3	\$ 521
MM-181836BC	18	17.5	36	55	8.6	\$ 536
MM-211836BC	21	17.5	36	60	9.9	\$ 559
MM-241836BC	24	17.5	36	65	11.1	\$ 584
MM-271836BC	27	17.5	36	70	12.4	\$ 635
MM-301836BC	30	17.5	36	80	13.7	\$ 686
MM-331836BC	33	17.5	36	83	15.0	\$ 705
MM-361836BC	36	17.5	36	85	16.3	\$ 725

**OPTIONS**

Exterior Chassis Finish	Shelf
TFL Woodgrain Laminate <i>Quartered</i> QE2 DS2 PC2 EN2 CO2 ST2 NW2 <i>Flat Cut</i> LC2 KD2 MH2 MC2 VM2 LM2 BU2 BE2 QR2 <i>Textured Laminate</i> <i>(10% upcharge)</i> NG2 NH2 TFL Solid Color Laminate BL2 GR2 SG2 FW2 RW2	X9 None Standard B3N Fixed \$86 R8 Adjustable \$86

**HOW TO ORDER**

SPECIFY: Exterior chassis finish | shelf. See page 11 for a complete offering of finishes.

**MODEL NUMBER**

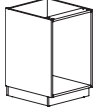
MM-121833BC

Exterior Chassis Finish	Shelf
NW2	R8

**BASE CABINETS SINGLE (CONT.)**

- 4" recessed toe kick
- Adjustable levelers
- May be installed alone or with multiple base cabinets
- Work Surfaces (sold separately) are attached to top of cabinet
- In order to complete installation, either cove molding or toe kick rail must be adhered. Order cove molding separately, preferably from a local supplier early in the project. See pages 44 and 45 for toe kick rail offerings.
- All Mile Marker cabinetry is required to be anchored to a wall or floor. Installation hardware is not included with cabinets.

**BASE CABINET OPEN**



**23.5" DEEP MODELS**

model	w	d	h	wt	cu ft	List
MM-122433BC	12	23.5	33	55	7.2	\$ 551
MM-152433BC	15	23.5	33	58	8.8	\$ 560
MM-182433BC	18	23.5	33	60	10.3	\$ 569
MM-212433BC	21	23.5	33	65	11.9	\$ 598
MM-242433BC	24	23.5	33	70	13.4	\$ 621
MM-272433BC	27	23.5	33	73	15.0	\$ 634
MM-302433BC	30	23.5	33	75	16.5	\$ 645
MM-332433BC	33	23.5	33	78	18.1	\$ 663
MM-362433BC	36	23.5	33	80	19.6	\$ 679
MM-122436BC	12	23.5	36	60	7.9	\$ 563
MM-152436BC	15	23.5	36	63	9.5	\$ 573
MM-182436BC	18	23.5	36	65	11.2	\$ 581
MM-212436BC	21	23.5	36	70	12.9	\$ 622
MM-242436BC	24	23.5	36	75	14.6	\$ 634
MM-272436BC	27	23.5	36	80	16.3	\$ 677
MM-302436BC	30	23.5	36	85	17.9	\$ 722
MM-332436BC	33	23.5	36	88	19.6	\$ 752
MM-362436BC	36	23.5	36	90	21.3	\$ 781

**OPTIONS**

Exterior Chassis Finish	Shelf
TFL Woodgrain Laminate <i>Quartered</i> QE2 DS2 PC2 EN2 CO2 ST2 NW2 <i>Flat Cut</i> LC2 KD2 MH2 MC2 VM2 LM2 BU2 BE2 QR2 <i>Textured Laminate</i> <i>(10% upcharge)</i> NG2 NH2 TFL Solid Color Laminate BL2 GR2 SG2 FW2 RW2	X9 None <b>Standard</b> B3N Fixed <b>\$86</b> R8 Adjustable <b>\$86</b>

**HOW TO ORDER**

SPECIFY: Exterior chassis finish | shelf. See page 11 for a complete offering of finishes.

**MODEL NUMBER**

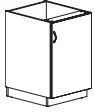
MM-122433BC

Exterior Chassis Finish	Shelf
NW2	R8

**BASE CABINETS SINGLE**

- 1 door
- 4" recessed toe kick
- Adjustable levelers
- May be installed alone or with multiple base cabinets
- Work Surfaces (sold separately) are attached to top of cabinet
- In order to complete installation, either cove molding or toe kick rail must be adhered. Order cove molding separately, preferably from a local supplier early in the project. See pages 44 and 45 for toe kick rail offerings.
- All Mile Marker cabinetry is required to be anchored to a wall or floor. Installation hardware is not included with cabinets.

**BASE CABINET WITH DOOR**



**18.25" DEEP MODELS**

model	w	d	h	wt	cu ft	List
MM-121833BCD	12	18.25	33	50	5.7	\$ 659
MM-151833BCD	15	18.25	33	53	7.0	\$ 681
MM-181833BCD	18	18.25	33	55	8.2	\$ 704
MM-211833BCD	21	18.25	33	60	9.4	\$ 744
MM-241833BCD	24	18.25	33	65	10.7	\$ 766
MM-121836BCD	12	18.25	36	55	6.2	\$ 729
MM-151836BCD	15	18.25	36	58	7.6	\$ 754
MM-181836BCD	18	18.25	36	60	8.9	\$ 779
MM-211836BCD	21	18.25	36	65	10.2	\$ 817
MM-241836BCD	24	18.25	36	70	11.6	\$ 839

**24.25" DEEP MODELS**

model	w	d	h	wt	cu ft	List
MM-122433BCD	12	24.25	33	60	7.4	\$ 720
MM-152433BCD	15	24.25	33	63	9.0	\$ 741
MM-182433BCD	18	24.25	33	65	10.6	\$ 763
MM-212433BCD	21	24.25	33	70	12.2	\$ 802
MM-242433BCD	24	24.25	33	75	13.8	\$ 827
MM-122436BCD	12	24.25	36	65	8.1	\$ 788
MM-152436BCD	15	24.25	36	68	9.8	\$ 814
MM-182436BCD	18	24.25	36	70	11.5	\$ 839
MM-212436BCD	21	24.25	36	75	13.3	\$ 882
MM-242436BCD	24	24.25	36	80	15.0	\$ 909

**OPTIONS**

Exterior Chassis Finish	Door Finish	Door Edge Finish	Hinge Location	Hinge	Waste Ring	Shelf	Lock	Pull	Pull/Waste Ring Finish
TFL Woodgrain Laminate <i>Quartered</i> QE2 DS2 PC2 EN2 CO2 ST2 NW2 <i>Flat Cut</i> LC2 KD2 MH2 MC2 VM2 LM2 BU2 BE2 QR2 <i>Textured Laminate (10% upcharge)</i> NG2 NH2  TFL Solid Color Laminate BL2 GR2 SG2 FW2 RW2	TFL Woodgrain Laminate <i>Quartered</i> QE2 DS2 PC2 EN2 CO2 ST2 NW2 <i>Flat Cut</i> LC2 KD2 MH2 MC2 VM2 LM2 BU2 BE2 QR2 <i>Textured Laminate (10% upcharge)</i> NG2 NH2  TFL Solid Color Laminate BL2 GR2 SG2 FW2 RW2	TFL Woodgrain Laminate <i>Quartered</i> QE2 DS2 PC2 EN2 CO2 ST2 NW2 <i>Flat Cut</i> LC2 KD2 MH2 MC2 VM2 LM2 BU2 BE2 QR2 <i>Textured Laminate (10% upcharge)</i> NG2 NH2  TFL Solid Color Laminate BL2 GR2 SG2 FW2 RW2	B3K Left B3L Right	B3G Euro Soft Close Standard  B3J 5 Knuckle  B3H Euro Knuckle \$44 	X9 None WGRI Waste Ring \$98  NOTE: Waste ring is not available in Satin Nickel (SNCK).	X9 None Standard B3N Fixed \$86 R8 Adjustable \$86	NL No Lock - Standard LCK1 Requires 1 Lock Core \$77  B3E Keyless \$338   NOTE: LCK Locks ordered separately on page 5.	AS No Pull  Awe  Crest  Era  Forte  Grip   B3D, SNCK Recessed (Satin Nickel Only) 	BWT Bone White CHLK Chalk MSL Luster Grey BKO Onyx SNCK Satin Nickel  NOTE: Waste ring is not available in Satin Nickel (SNCK). If SNCK is selected for Pull, Waste Ring will default to Luster Grey (MSL).

**HOW TO ORDER**

SPECIFY: Exterior chassis finish | door finish | door edge finish | hinge location | hinge | waste ring | shelf | lock | pull | pull/waste ring finish. See page 11 for a complete offering of finishes.

**MODEL NUMBER**

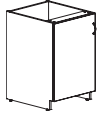
MM-121833BCD

Exterior Chassis Finish	Door Finish	Door Edge Finish	Hinge Location	Hinge	Waste Ring	Shelf	Lock	Pull	Pull/Waste Ring Finish
NW2	NW2	NW2	B3K	B3G	X9	R8	LCK1	Awe	MSL

**BASE CABINETS SINGLE**

- 1 door
- 4" recessed toe kick
- Adjustable levelers
- May be installed alone or with multiple base cabinets
- Work Surfaces (sold separately) are attached to top of cabinet
- All Mile Marker cabinetry is required to be anchored to a wall or floor. Installation hardware is not included with cabinets.

**BASE CABINET WITH DOOR OPEN BOTTOM FOR LINEN/TRASH CART**



**18.25" DEEP MODELS**

model	w	d	h	wt	cu ft	List
MM-121833BCDO	12	18.25	33	50	5.7	\$ 635
MM-151833BCDO	15	18.25	33	53	7.0	\$ 656
MM-181833BCDO	18	18.25	33	55	8.2	\$ 679
MM-211833BCDO	21	18.25	33	60	9.4	\$ 719
MM-241833BCDO	24	18.25	33	65	10.7	\$ 740
MM-121836BCDO	12	18.25	36	55	6.2	\$ 704
MM-151836BCDO	15	18.25	36	58	7.6	\$ 729
MM-181836BCDO	18	18.25	36	60	8.9	\$ 754
MM-211836BCDO	21	18.25	36	65	10.2	\$ 794
MM-241836BCDO	24	18.25	36	70	11.6	\$ 816

**24.25" DEEP MODELS**

model	w	d	h	wt	cu ft	List
MM-122433BCDO	12	24.25	33	60	7.4	\$ 707
MM-152433BCDO	15	24.25	33	63	9.0	\$ 724
MM-182433BCDO	18	24.25	33	65	10.6	\$ 739
MM-212433BCDO	21	24.25	33	70	12.2	\$ 779
MM-242433BCDO	24	24.25	33	75	13.8	\$ 801
MM-122436BCDO	12	24.25	36	65	8.1	\$ 763
MM-152436BCDO	15	24.25	36	68	9.8	\$ 790
MM-182436BCDO	18	24.25	36	70	11.5	\$ 816
MM-212436BCDO	21	24.25	36	75	13.3	\$ 857
MM-242436BCDO	24	24.25	36	80	15.0	\$ 883

**OPTIONS**

Exterior Chassis Finish	Door Finish	Door Edge Finish	Hinge Location	Hinge	Waste Ring	Shelf	Lock	Pull	Pull/Waste Ring Finish
TFL Woodgrain Laminate <i>Quartered</i> QE2 DS2 PC2 EN2 CO2 ST2 NW2 <i>Flat Cut</i> LC2 KD2 MH2 MC2 VM2 LM2 BU2 BE2 QR2 <i>Textured Laminate (10% upcharge)</i> NG2 NH2  TFL Solid Color Laminate BL2 GR2 SG2 FW2 RW2	TFL Woodgrain Laminate <i>Quartered</i> QE2 DS2 PC2 EN2 CO2 ST2 NW2 <i>Flat Cut</i> LC2 KD2 MH2 MC2 VM2 LM2 BU2 BE2 QR2 <i>Textured Laminate (10% upcharge)</i> NG2 NH2  TFL Solid Color Laminate BL2 GR2 SG2 FW2 RW2	TFL Woodgrain Laminate <i>Quartered</i> QE2 DS2 PC2 EN2 CO2 ST2 NW2 <i>Flat Cut</i> LC2 KD2 MH2 MC2 VM2 LM2 BU2 BE2 QR2 <i>Textured Laminate (10% upcharge)</i> NG2 NH2  TFL Solid Color Laminate BL2 GR2 SG2 FW2 RW2	B3K Left B3L Right	B3G Euro Soft Close Standard  B3J 5 Knuckle  B3H Euro Knuckle \$44 	X9 None Waste Ring \$98  NOTE: Waste ring is not available in Satin Nickel (SNCK).	X9 None Standard \$86 R8 Adjustable \$86	NL No Lock - Standard LCK1 Requires 1 Lock Core \$77  B3E Keyless \$338   NOTE: LCK Locks ordered separately on page 5.	AS No Pull  Awe  Crest  Era  Forte  Grip  B3D, SNCK Recessed (Satin Nickel Only) 	BWT Bone White CHLK Chalk MSL Luster Grey BKO Onyx SNCK Satin Nickel  NOTE: Waste ring is not available in Satin Nickel (SNCK). If SNCK is selected for Pull, Waste Ring will default to Luster Grey (MSL).

**HOW TO ORDER**

SPECIFY: Exterior chassis finish | door finish | door edge finish | hinge location | hinge | waste ring | shelf | lock | pull | pull/waste ring finish. See page 11 for a complete offering of finishes.

**MODEL NUMBER**

MM-121833BCDO

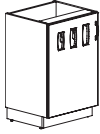
Exterior Chassis Finish	Door Finish	Door Edge Finish	Hinge Location	Hinge	Waste Ring	Shelf	Lock	Pull	Pull/Waste Ring Finish
NW2	NW2	NW2	B3K	B3G	X9	R8	LCK1	Awe	MSL



**BASE CABINETS SINGLE**

- 1 full hinged door with glove box openings
- 4" recessed toe kick
- Adjustable levelers
- May be installed alone or with multiple base cabinets
- Work surfaces (sold separately) are attached to top of cabinet
- In order to complete installation, either cove molding or toe kick rail must be adhered. Order cove molding separately, preferably from a local supplier early in the project. See pages 44 and 45 for toe kick rail offerings.
- All Mile Marker cabinetry is required to be anchored to a wall or floor. Installation hardware is not included with cabinets.

**BASE CABINET WITH DOOR GLOVE BOX**



**18.25" DEEP MODELS**

model	w	d	h	wt	cu ft	List
MM-211833BCDGB	21	18.25	33	60	9.4	\$ 805
MM-241833BCDGB	24	18.25	33	65	10.7	\$ 828
MM-211836BCDGB	21	18.25	36	65	10.2	\$ 885
MM-241836BCDGB	24	18.25	36	70	11.6	\$ 910

**24.25" DEEP MODELS**

model	w	d	h	wt	cu ft	List
MM-212433BCDGB	21	24.25	33	70	12.2	\$ 868
MM-242433BCDGB	24	24.25	33	75	13.8	\$ 895
MM-212436BCDGB	21	24.25	36	75	13.3	\$ 956
MM-242436BCDGB	24	24.25	36	80	15.0	\$ 985

**OPTIONS**

Exterior Chassis Finish	Door Finish	Hinge Location	Hinge	Shelf	Lock	Pull	Pull Finish
TFL Woodgrain Laminate <i>Quartered</i> QE2 DS2 PC2 EN2 CO2 ST2 NW2 <i>Flat Cut</i> LC2 KD2 MH2 MC2 VM2 LM2 BU2 BE2 QR2 <i>Textured Laminate (10% upcharge)</i> NG2 NH2  TFL Solid Color Laminate BL2 GR2 SG2 FW2 RW2	3DL Woodgrain Laminate <i>Quartered</i> QE3 DS3 ST3 EN3 CO3 NW3 PC3 <i>Flat Cut</i> LC3 KD3 MH3 MC3 VM3 LM3 BU3 BE3 <i>Textured Laminate (10% upcharge)</i> NG3 NH3  3DL Solid Color Laminate BL3 GR3 FW3 RW3	B3K Left B3L Right	B3G Euro Soft Close Standard  B3J 5 Knuckle  B3H Euro Knuckle \$44 	X9 None Standard B3N Fixed \$86 R8 Adjustable \$86	NL No Lock - Standard LCK1 Requires 1 Lock Core \$77  B3E Keyless \$338   NOTE: LCK Locks ordered separately on page 5.	AS No Pull  Awe  Crest  Era  Forte  Grip   B3D, SNCK Recessed (Satin Nickel Only) 	BWT Bone White CHLK Chalk MSL Luster Grey BKO Onyx SNCK Satin Nickel

**HOW TO ORDER**

SPECIFY: Exterior chassis finish | door finish | hinge location | hinge | shelf | lock | pull | pull finish. See page 11 for a complete offering of finishes.

**MODEL NUMBER**

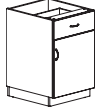
MM-211833BCDGB

Exterior Chassis Finish	Door Finish	Hinge Location	Hinge	Shelf	Lock	Pull	Pull Finish
NW2	NW3	B3K	B3G	R8	LCK1	Awe	MSL

**BASE CABINETS SINGLE**

- 1 drawer
- 1 door
- 4" recessed toe kick
- Adjustable levelers
- Lock Options for Top Drawer only
- May be installed alone or with multiple base cabinets
- Work Surfaces (sold separately) are attached to top of cabinet
- In order to complete installation, either cove molding or toe kick rail must be adhered. Order cove molding separately, preferably from a local supplier early in the project. See pages 44 and 45 for toe kick rail offerings.

**BASE CABINET WITH DOOR/DRAWER**



**18.25" DEEP MODELS**

model	w	d	h	wt	cu ft	List
MM-121833BCDD	12	18.25	33	50	5.7	\$ 913
MM-151833BCDD	15	18.25	33	53	7.0	\$ 952
MM-181833BCDD	18	18.25	33	55	8.2	\$ 993
MM-211833BCDD	21	18.25	33	60	9.4	\$ 1,058
MM-241833BCDD	24	18.25	33	65	10.7	\$ 1,090
MM-121836BCDD	12	18.25	36	55	6.2	\$ 924
MM-151836BCDD	15	18.25	36	58	7.6	\$ 965
MM-181836BCDD	18	18.25	36	60	8.9	\$ 1,004
MM-211836BCDD	21	18.25	36	65	10.2	\$ 1,070
MM-241836BCDD	24	18.25	36	70	11.6	\$ 1,102

**24.25" DEEP MODELS**

model	w	d	h	wt	cu ft	List
MM-122433BCDD	12	24.25	33	60	7.4	\$ 1,012
MM-152433BCDD	15	24.25	33	63	9.0	\$ 1,051
MM-182433BCDD	18	24.25	33	65	10.6	\$ 1,090
MM-212433BCDD	21	24.25	33	70	12.2	\$ 1,157
MM-242433BCDD	24	24.25	33	75	13.8	\$ 1,187
MM-122436BCDD	12	24.25	36	65	8.1	\$ 1,021
MM-152436BCDD	15	24.25	36	68	9.8	\$ 1,062
MM-182436BCDD	18	24.25	36	70	11.5	\$ 1,102
MM-212436BCDD	21	24.25	36	75	13.3	\$ 1,169
MM-242436BCDD	24	24.25	36	80	15.0	\$ 1,202

**OPTIONS**

Exterior Chassis Finish	Door/Drawer Finish	Door/Drawer Edge Finish	Hinge Location	Hinge	Shelf	Lock	Pull	Pull Finish	Removable Drawer Liners
TFL Woodgrain Laminate <i>Quartered</i> QE2 DS2 PC2 EN2 CO2 ST2 NW2 <i>Flat Cut</i> LC2 KD2 MH2 MC2 VM2 LM2 BU2 BE2 QR2 <i>Textured Laminate (10% upcharge)</i> NG2 NH2  TFL Solid Color Laminate BL2 GR2 SG2 FW2 RW2	TFL Woodgrain Laminate <i>Quartered</i> QE2 DS2 PC2 EN2 CO2 ST2 NW2 <i>Flat Cut</i> LC2 KD2 MH2 MC2 VM2 LM2 BU2 BE2 QR2 <i>Textured Laminate (10% upcharge)</i> NG2 NH2  TFL Solid Color Laminate BL2 GR2 SG2 FW2 RW2	TFL Woodgrain Laminate <i>Quartered</i> QE2 DS2 PC2 EN2 CO2 ST2 NW2 <i>Flat Cut</i> LC2 KD2 MH2 MC2 VM2 LM2 BU2 BE2 QR2 <i>Textured Laminate (10% upcharge)</i> NG2 NH2  TFL Solid Color Laminate BL2 GR2 SG2 FW2 RW2	B3K Left B3L Right	B3G Euro Soft Close Standard  B3J 5 Knuckle  B3H Euro Knuckle \$44 	X9 None Standard B3N Fixed \$86 R8 Adjustable \$86	NL No Lock - Standard LCK1 Requires 1 Lock Core \$77  B3E Keyless \$338   NOTE: LCK Locks ordered separately on page 5.	AS No Pull  Awe   Crest   Era   Forte   Grip   B3D, SNCK Recessed (Satin Nickel Only) 	BWT Bone White CHLK Chalk Luster Grey BKO Onyx SNCK Satin Nickel	Q3 None Q4 One Liner \$80

**HOW TO ORDER**

SPECIFY: Exterior chassis finish | door/drawer finish | door/drawer edge finish | hinge location | hinge | shelf | lock | pull | pull finish | removable drawer liners. See page 11 for a complete offering of finishes.

**MODEL NUMBER**

MM-121833BCDD

Exterior Chassis Finish	Door/Drawer Finish	Door/Drawer Edge Finish	Hinge Location	Hinge	Shelf	Lock	Pull	Pull Finish	Removable Drawer Liners
NW2	NW2	NW2	B3K	B3G	R8	LCK1	Awe	MSL	Q4

**BASE CABINETS SINGLE**

- 1 drawer
- 4" recessed toe kick
- Adjustable levelers
- May be installed alone or with multiple base cabinets
- Work surfaces (sold separately) are attached to top of cabinet
- In order to complete installation, either cove molding or toe kick rail must be adhered. Order cove molding separately, preferably from a local supplier early in the project. See pages 44 and 45 for toe kick rail offerings.
- All Mile Marker cabinetry is required to be anchored to a wall or floor. Installation hardware is not included with cabinets.

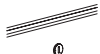
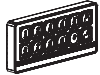





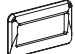
**BASE CABINET OPEN WITH 1 DRAWER**



**18.25" DEEP MODELS**

model	w	d	h	wt	cu ft	List
MM-121833BC1	12	18.25	33	45	5.7	\$ 1,014
MM-151833BC1	15	18.25	33	48	7.0	\$ 1,071
MM-181833BC1	18	18.25	33	50	8.2	\$ 1,130
MM-211833BC1	21	18.25	33	55	9.4	\$ 1,183
MM-241833BC1	24	18.25	33	60	10.7	\$ 1,216
MM-271833BC1	27	18.25	33	65	11.9	\$ 1,237
MM-301833BC1	30	18.25	33	70	13.1	\$ 1,258
MM-331833BC1	33	18.25	33	73	14.4	\$ 1,278
MM-361833BC1	36	18.25	33	75	15.6	\$ 1,298
MM-121836BC1	12	18.25	36	50	6.2	\$ 1,194
MM-151836BC1	15	18.25	36	53	7.6	\$ 1,229
MM-181836BC1	18	18.25	36	55	8.9	\$ 1,262
MM-211836BC1	21	18.25	36	60	10.2	\$ 1,299
MM-241836BC1	24	18.25	36	65	11.6	\$ 1,333
MM-271836BC1	27	18.25	36	70	12.9	\$ 1,336
MM-301836BC1	30	18.25	36	75	14.3	\$ 1,339
MM-331836BC1	33	18.25	36	78	15.6	\$ 1,357
MM-361836BC1	36	18.25	36	80	16.9	\$ 1,373

**OPTIONS**

Exterior Chassis Finish	Drawer Finish	Drawer Edge Finish	Lock	Pull	Pull Finish	Removable Drawer Liners
TFL Woodgrain Laminate <i>Quartered</i> QE2 DS2 PC2 EN2 CO2 ST2 NW2 <i>Flat Cut</i> LC2 KD2 MH2 MC2 VM2 LM2 BU2 BE2 QR2 <i>Textured Laminate</i> (10% upcharge) NG2 NH2 TFL Solid Color Laminate BL2 GR2 SG2 FW2 RW2	TFL Woodgrain Laminate <i>Quartered</i> QE2 DS2 PC2 EN2 CO2 ST2 NW2 <i>Flat Cut</i> LC2 KD2 MH2 MC2 VM2 LM2 BU2 BE2 QR2 <i>Textured Laminate</i> (10% upcharge) NG2 NH2 TFL Solid Color Laminate BL2 GR2 SG2 FW2 RW2	TFL Woodgrain Laminate <i>Quartered</i> QE2 DS2 PC2 EN2 CO2 ST2 NW2 <i>Flat Cut</i> LC2 KD2 MH2 MC2 VM2 LM2 BU2 BE2 QR2 <i>Textured Laminate</i> (10% upcharge) NG2 NH2 TFL Solid Color Laminate BL2 GR2 SG2 FW2 RW2	NL No Lock - Standard LCK1 Requires 1 Lock Core \$77  B3E Keyless \$338  NOTE: LCK Locks ordered separately on page 5.	AS No Pull Awe  Crest  Era  Forte  Grip  B3D, SNCK Recessed (Satin Nickel Only) 	BWT Bone White CHLK Chalk MSL Luster Grey BKO Onyx SNCK Satin Nickel	Q3 None Q4 One Liner \$80

**HOW TO ORDER**

SPECIFY: Exterior chassis finish | drawer finish | drawer edge finish | lock | pull | pull finish | removable drawer liners. See page 11 for a complete offering of finishes.

**MODEL NUMBER**

MM-121833BC1

Exterior Chassis Finish	Drawer Finish	Drawer Edge Finish	Lock	Pull	Pull Finish	Removable Drawer Liners
NW2	NW2	NW2	LCK1	Awe	MSL	Q4

**BASE CABINETS SINGLE (CONT.)**

- 1 drawer
- 4" recessed toe kick
- Adjustable levelers
- May be installed alone or with multiple base cabinets
- Work Surfaces (sold separately) are attached to top of cabinet
- In order to complete installation, either cove molding or toe kick rail must be adhered. Order cove molding separately, preferably from a local supplier early in the project. See pages 44 and 45 for toe kick rail offerings.

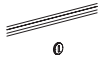



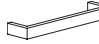



**BASE CABINET OPEN WITH 1 DRAWER**



**24.25" DEEP MODELS**

model	w	d	h	wt	cu ft	List
MM-122433BC1	12	24.25	33	50	7.4	\$ 1,132
MM-152433BC1	15	24.25	33	53	9.0	\$ 1,167
MM-182433BC1	18	24.25	33	55	10.6	\$ 1,202
MM-212433BC1	21	24.25	33	60	12.2	\$ 1,258
MM-242433BC1	24	24.25	33	65	13.8	\$ 1,291
MM-272433BC1	27	24.25	33	70	15.4	\$ 1,347
MM-302433BC1	30	24.25	33	75	17.0	\$ 1,404
MM-332433BC1	33	24.25	33	78	18.6	\$ 1,424
MM-362433BC1	36	24.25	33	80	20.2	\$ 1,442
MM-122436BC1	12	24.25	36	55	8.1	\$ 1,269
MM-152436BC1	15	24.25	36	58	9.8	\$ 1,301
MM-182436BC1	18	24.25	36	60	11.5	\$ 1,333
MM-212436BC1	21	24.25	36	65	13.3	\$ 1,372
MM-242436BC1	24	24.25	36	70	15.0	\$ 1,405
MM-272436BC1	27	24.25	36	75	16.7	\$ 1,440
MM-302436BC1	30	24.25	36	80	18.5	\$ 1,474
MM-332436BC1	33	24.25	36	83	20.2	\$ 1,494
MM-362436BC1	36	24.25	36	85	21.9	\$ 1,513

**OPTIONS**

Exterior Chassis Finish	Drawer Finish	Drawer Edge Finish	Lock	Pull	Pull Finish	Removable Drawer Liners
TFL Woodgrain Laminate <i>Quartered</i> QE2 DS2 PC2 EN2 CO2 ST2 NW2 <i>Flat Cut</i> LC2 KD2 MH2 MC2 VM2 LM2 BU2 BE2 QR2 <i>Textured Laminate</i> (10% upcharge) NG2 NH2 TFL Solid Color Laminate BL2 GR2 SG2 FW2 RW2	TFL Woodgrain Laminate <i>Quartered</i> QE2 DS2 PC2 EN2 CO2 ST2 NW2 <i>Flat Cut</i> LC2 KD2 MH2 MC2 VM2 LM2 BU2 BE2 QR2 <i>Textured Laminate</i> (10% upcharge) NG2 NH2 TFL Solid Color Laminate BL2 GR2 SG2 FW2 RW2	TFL Woodgrain Laminate <i>Quartered</i> QE2 DS2 PC2 EN2 CO2 ST2 NW2 <i>Flat Cut</i> LC2 KD2 MH2 MC2 VM2 LM2 BU2 BE2 QR2 <i>Textured Laminate</i> (10% upcharge) NG2 NH2 TFL Solid Color Laminate BL2 GR2 SG2 FW2 RW2	NL No Lock - Standard LCK1 Requires 1 Lock Core \$77  B3E Keyless \$338  NOTE: LCK Locks ordered separately on page 5.	AS No Pull Awe  Crest  Era  Forte  Grip  B3D, SNCK Recessed (Satin Nickel Only) 	BWT Bone White CHLK Chalk MSL Luster Grey BKO Onyx SNCK Satin Nickel	Q3 None Q4 One Liner \$80

**HOW TO ORDER**

SPECIFY: Exterior chassis finish | drawer finish | drawer edge finish | lock | pull | pull finish | removable drawer liners. See page 11 for a complete offering of finishes.

**MODEL NUMBER**

MM-122433BC1

Exterior Chassis Finish	Drawer Finish	Drawer Edge Finish	Lock	Pull	Pull Finish	Removable Drawer Liners
NW2	NW2	NW2	LCK1	Awe	MSL	Q4

**BASE CABINETS SINGLE**

- 3 drawers
- 4" recessed toe kick
- Adjustable levelers
- Lock Options for Top Drawer only
- May be installed alone or with multiple base cabinets
- Work Surfaces (sold separately) are attached to top of cabinet
- In order to complete installation, either cove molding or toe kick rail must be adhered. Order cove molding separately, preferably from a local supplier early in the project. See pages 44 and 45 for toe kick rail offerings.

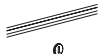
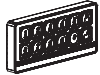





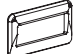
**BASE CABINET WITH 3 DRAWERS**



**18.25" DEEP MODELS**

model	w	d	h	wt	cu ft	List
MM-121833BC3	12	18.25	33	55	5.7	\$ 1,154
MM-151833BC3	15	18.25	33	58	7.0	\$ 1,208
MM-181833BC3	18	18.25	33	60	8.2	\$ 1,262
MM-211833BC3	21	18.25	33	65	9.4	\$ 1,357
MM-241833BC3	24	18.25	33	70	10.7	\$ 1,397
MM-271833BC3	27	18.25	33	75	11.9	\$ 1,363
MM-301833BC3	30	18.25	33	80	13.1	\$ 1,443
MM-331833BC3	33	18.25	33	83	14.4	\$ 1,412
MM-361833BC3	36	18.25	33	85	15.6	\$ 1,496
MM-121836BC3	12	18.25	36	60	6.2	\$ 1,298
MM-151836BC3	15	18.25	36	63	7.6	\$ 1,347
MM-181836BC3	18	18.25	36	65	8.9	\$ 1,395
MM-211836BC3	21	18.25	36	70	10.2	\$ 1,474
MM-241836BC3	24	18.25	36	75	11.6	\$ 1,515
MM-271836BC3	27	18.25	36	80	12.9	\$ 1,484
MM-301836BC3	30	18.25	36	90	14.3	\$ 1,568
MM-331836BC3	33	18.25	36	93	15.6	\$ 1,540
MM-361836BC3	36	18.25	36	95	16.9	\$ 1,629

**OPTIONS**

Exterior Chassis Finish	Drawer Finish	Drawer Edge Finish	Lock	Pull	Pull Finish	Removable Drawer Liners
TFL Woodgrain Laminate <i>Quartered</i> QE2 DS2 PC2 EN2 CO2 ST2 NW2 <i>Flat Cut</i> LC2 KD2 MH2 MC2 VM2 LM2 BU2 BE2 QR2 <i>Textured Laminate</i> (10% upcharge) NG2 NH2 TFL Solid Color Laminate BL2 GR2 SG2 FW2 RW2	TFL Woodgrain Laminate <i>Quartered</i> QE2 DS2 PC2 EN2 CO2 ST2 NW2 <i>Flat Cut</i> LC2 KD2 MH2 MC2 VM2 LM2 BU2 BE2 QR2 <i>Textured Laminate</i> (10% upcharge) NG2 NH2 TFL Solid Color Laminate BL2 GR2 SG2 FW2 RW2	TFL Woodgrain Laminate <i>Quartered</i> QE2 DS2 PC2 EN2 CO2 ST2 NW2 <i>Flat Cut</i> LC2 KD2 MH2 MC2 VM2 LM2 BU2 BE2 QR2 <i>Textured Laminate</i> (10% upcharge) NG2 NH2 TFL Solid Color Laminate BL2 GR2 SG2 FW2 RW2	NL No Lock - Standard LCK1 Requires 1 Lock Core \$77  B3E Keyless \$338  NOTE: LCK Locks ordered separately on page 5.	AS No Pull Awe  Crest  Era  Forte  Grip  B3D, SNCK Recessed (Satin Nickel Only) 	BWT Bone White CHLK Chalk MSL Luster Grey BKO Onyx SNCK Satin Nickel	Q3 None Q4 One Liner \$80 Q5 Two Liners \$160 Q6 Three Liners \$240

**HOW TO ORDER**

SPECIFY: Exterior chassis finish | drawer finish | drawer edge finish | lock | pull | pull finish | removable drawer liners. See page 11 for a complete offering of finishes.

**MODEL NUMBER**

MM-121833BC3

Exterior Chassis Finish	Door Finish	Door Edge Finish	Lock	Pull	Pull Finish	Removable Drawer Liners
NW2	NW2	NW2	LCK1	Awe	MSL	Q5

**BASE CABINETS SINGLE (CONT.)**

- 3 drawers
- 4" recessed toe kick
- Adjustable levelers
- Lock Options for Top Drawer only
- May be installed alone or with multiple base cabinets
- Work Surfaces (sold separately) are attached to top of cabinet
- In order to complete installation, either cove molding or toe kick rail must be adhered. Order cove molding separately, preferably from a local supplier early in the project. See pages 44 and 45 for toe kick rail offerings.

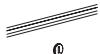
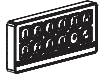





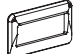
**BASE CABINET WITH 3 DRAWERS**



**24.25" DEEP MODELS**

model	w	d	h	wt	cu ft	List
MM-122433BC3	12	24.25	33	65	7.4	\$ 1,278
MM-152433BC3	15	24.25	33	68	9.0	\$ 1,332
MM-182433BC3	18	24.25	33	70	10.6	\$ 1,386
MM-212433BC3	21	24.25	33	75	12.2	\$ 1,480
MM-242433BC3	24	24.25	33	80	13.8	\$ 1,520
MM-272433BC3	27	24.25	33	83	15.4	\$ 1,482
MM-302433BC3	30	24.25	33	85	17.0	\$ 1,559
MM-332433BC3	33	24.25	33	88	18.6	\$ 1,528
MM-362433BC3	36	24.25	33	90	20.2	\$ 1,612
MM-122436BC3	12	24.25	36	70	8.1	\$ 1,416
MM-152436BC3	15	24.25	36	73	9.8	\$ 1,466
MM-182436BC3	18	24.25	36	75	11.5	\$ 1,515
MM-212436BC3	21	24.25	36	80	13.3	\$ 1,594
MM-242436BC3	24	24.25	36	85	15.0	\$ 1,634
MM-272436BC3	27	24.25	36	90	16.7	\$ 1,602
MM-302436BC3	30	24.25	36	95	18.5	\$ 1,685
MM-332436BC3	33	24.25	36	98	20.2	\$ 1,657
MM-362436BC3	36	24.25	36	100	21.9	\$ 1,744

**OPTIONS**

Exterior Chassis Finish	Drawer Finish	Drawer Edge Finish	Lock	Pull	Pull Finish	Removable Drawer Liners
TFL Woodgrain Laminate <i>Quartered</i> QE2 DS2 PC2 EN2 CO2 ST2 NW2 <i>Flat Cut</i> LC2 KD2 MH2 MC2 VM2 LM2 BU2 BE2 QR2 <i>Textured Laminate</i> (10% upcharge) NG2 NH2 TFL Solid Color Laminate BL2 GR2 SG2 FW2 RW2	TFL Woodgrain Laminate <i>Quartered</i> QE2 DS2 PC2 EN2 CO2 ST2 NW2 <i>Flat Cut</i> LC2 KD2 MH2 MC2 VM2 LM2 BU2 BE2 QR2 <i>Textured Laminate</i> (10% upcharge) NG2 NH2 TFL Solid Color Laminate BL2 GR2 SG2 FW2 RW2	TFL Woodgrain Laminate <i>Quartered</i> QE2 DS2 PC2 EN2 CO2 ST2 NW2 <i>Flat Cut</i> LC2 KD2 MH2 MC2 VM2 LM2 BU2 BE2 QR2 <i>Textured Laminate</i> (10% upcharge) NG2 NH2 TFL Solid Color Laminate BL2 GR2 SG2 FW2 RW2	NL No Lock - Standard LCK1 Requires 1 Lock Core \$77  B3E Keyless \$338  NOTE: LCK Locks ordered separately on page 5.	AS No Pull Awe  Crest  Era  Forte  Grip  B3D, SNCK Recessed (Satin Nickel Only) 	BWT Bone White CHLK Chalk MSL Luster Grey BKO Onyx SNCK Satin Nickel	Q3 None Q4 One Liner \$80 Q5 Two Liners \$160 Q6 Three Liners \$240

**HOW TO ORDER**

SPECIFY: Exterior chassis finish | drawer finish | drawer edge finish | lock | pull | pull finish | removable drawer liners. See page 11 for a complete offering of finishes.

**MODEL NUMBER**

MM-122433BC3

Exterior Chassis Finish	Door Finish	Door Edge Finish	Lock	Pull	Pull Finish	Removable Drawer Liners
NW2	NW2	NW2	LCK1	Awe	MSL	Q5

**BASE CABINETS SINGLE**

- 4 drawers
- 4" recessed toe kick
- Adjustable levelers
- Lock Options for Top Drawer only
- May be installed alone or with multiple base cabinets
- Work Surfaces (sold separately) are attached to top of cabinet
- In order to complete installation, either cove molding or toe kick rail must be adhered. Order cove molding separately, preferably from a local supplier early in the project. See pages 44 and 45 for toe kick rail offerings.
- All Mile Marker cabinetry is required to be anchored to a wall or floor. Installation hardware is not included with cabinets.

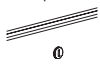




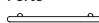

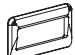
**BASE CABINET WITH 4 DRAWERS**



**18.25" DEEP MODELS**

model	w	d	h	wt	cu ft	List
MM-121833BC4	12	18.25	33	55	5.7	\$ 1,257
MM-151833BC4	15	18.25	33	58	7.0	\$ 1,306
MM-181833BC4	18	18.25	33	60	8.2	\$ 1,354
MM-211833BC4	21	18.25	33	65	9.4	\$ 1,491
MM-241833BC4	24	18.25	33	70	10.7	\$ 1,537
MM-271833BC4	27	18.25	33	75	11.9	\$ 1,472
MM-301833BC4	30	18.25	33	80	13.1	\$ 1,561
MM-331833BC4	33	18.25	33	83	14.4	\$ 1,512
MM-361833BC4	36	18.25	33	85	15.6	\$ 1,616
MM-121836BC4	12	18.25	36	60	6.2	\$ 1,363
MM-151836BC4	15	18.25	36	63	7.6	\$ 1,426
MM-181836BC4	18	18.25	36	65	8.9	\$ 1,489
MM-211836BC4	21	18.25	36	70	10.2	\$ 1,605
MM-241836BC4	24	18.25	36	75	11.6	\$ 1,650
MM-271836BC4	27	18.25	36	80	12.9	\$ 1,615
MM-301836BC4	30	18.25	36	90	14.3	\$ 1,735
MM-331836BC4	33	18.25	36	95	15.6	\$ 1,699
MM-361836BC4	36	18.25	36	95	16.9	\$ 1,820

**OPTIONS**

Exterior Chassis Finish	Drawer Finish	Drawer Edge Finish	Lock	Pull	Pull Finish	Removable Drawer Liners
TFL Woodgrain Laminate <i>Quartered</i> QE2 DS2 PC2 EN2 CO2 ST2 NW2 <i>Flat Cut</i> LC2 KD2 MH2 MC2 VM2 LM2 BU2 BE2 QR2 <i>Textured Laminate</i> (10% upcharge) NG2 NH2  TFL Solid Color Laminate BL2 GR2 SG2 FW2 RW2	TFL Woodgrain Laminate <i>Quartered</i> QE2 DS2 PC2 EN2 CO2 ST2 NW2 <i>Flat Cut</i> LC2 KD2 MH2 MC2 VM2 LM2 BU2 BE2 QR2 <i>Textured Laminate</i> (10% upcharge) NG2 NH2  TFL Solid Color Laminate BL2 GR2 SG2 FW2 RW2	TFL Woodgrain Laminate <i>Quartered</i> QE2 DS2 PC2 EN2 CO2 ST2 NW2 <i>Flat Cut</i> LC2 KD2 MH2 MC2 VM2 LM2 BU2 BE2 QR2 <i>Textured Laminate</i> (10% upcharge) NG2 NH2  TFL Solid Color Laminate BL2 GR2 SG2 FW2 RW2	NL No Lock - Standard LCK1 Requires 1 Lock Core \$77    B3E Keyless \$338   NOTE: LCK Locks ordered separately on page 5.	AS No Pull  Awe   Crest   Era   Forte   Grip   B3D, SNCK Recessed (Satin Nickel Only) 	BWT Bone White CHLK Chalk MSL Luster Grey BKO Oryx SNCK Satin Nickel	Q3 None Q4 One Liner \$80 Q5 Two Liners \$160 Q6 Three Liners \$240 B3F Four Liners \$320

**HOW TO ORDER**

SPECIFY: Exterior chassis finish | drawer finish | drawer edge finish | lock | pull | pull finish | removable drawer liners. See page 11 for a complete offering of finishes.

**MODEL NUMBER**

MM-121833BC4

Exterior Chassis Finish	Door Finish	Door Edge Finish	Lock	Pull	Pull Finish	Removable Drawer Liners
NW2	NW2	NW2	LCK1	Awe	MSL	B3F

**BASE CABINETS SINGLE (CONT.)**

- 4 drawers
- 4" recessed toe kick
- Adjustable levelers
- Lock Options for Top Drawer only
- May be installed alone or with multiple base cabinets
- Work Surfaces (sold separately) are attached to top of cabinet
- In order to complete installation, either cove molding or toe kick rail must be adhered. Order cove molding separately, preferably from a local supplier early in the project. See pages 44 and 45 for toe kick rail offerings.
- All Mile Marker cabinetry is required to be anchored to a wall or floor. Installation hardware is not included with cabinets.

**BASE CABINET WITH 4 DRAWERS**



**24.25" DEEP MODELS**

model	w	d	h	wt	cu ft	List
MM-122433BC4	12	24.25	33	65	7.4	\$ 1,387
MM-152433BC4	15	24.25	33	68	9.0	\$ 1,458
MM-182433BC4	18	24.25	33	70	10.6	\$ 1,531
MM-212433BC4	21	24.25	33	75	12.2	\$ 1,663
MM-242433BC4	24	24.25	33	80	13.8	\$ 1,679
MM-272433BC4	27	24.25	33	83	15.4	\$ 1,617
MM-302433BC4	30	24.25	33	85	17.0	\$ 1,710
MM-332433BC4	33	24.25	33	88	18.6	\$ 1,649
MM-362433BC4	36	24.25	33	90	20.2	\$ 1,744
MM-122436BC4	12	24.25	36	70	8.1	\$ 1,524
MM-152436BC4	15	24.25	36	73	9.8	\$ 1,583
MM-182436BC4	18	24.25	36	75	11.5	\$ 1,641
MM-212436BC4	21	24.25	36	80	13.3	\$ 1,752
MM-242436BC4	24	24.25	36	85	15.0	\$ 1,802
MM-272436BC4	27	24.25	36	90	16.7	\$ 1,752
MM-302436BC4	30	24.25	36	95	18.5	\$ 1,856
MM-332436BC4	33	24.25	36	98	20.2	\$ 1,819
MM-362436BC4	36	24.25	36	100	21.9	\$ 1,935

**OPTIONS**

Exterior Chassis Finish	Drawer Finish	Drawer Edge Finish	Lock	Pull	Pull Finish	Removable Drawer Liners
TFL Woodgrain Laminate <i>Quartered</i> QE2 DS2 PC2 EN2 CO2 ST2 NW2 <i>Flat Cut</i> LC2 KD2 MH2 MC2 VM2 LM2 BU2 BE2 QR2 <i>Textured Laminate</i> (10% upcharge) NG2 NH2  TFL Solid Color Laminate BL2 GR2 SG2 FW2 RW2	TFL Woodgrain Laminate <i>Quartered</i> QE2 DS2 PC2 EN2 CO2 ST2 NW2 <i>Flat Cut</i> LC2 KD2 MH2 MC2 VM2 LM2 BU2 BE2 QR2 <i>Textured Laminate</i> (10% upcharge) NG2 NH2  TFL Solid Color Laminate BL2 GR2 SG2 FW2 RW2	TFL Woodgrain Laminate <i>Quartered</i> QE2 DS2 PC2 EN2 CO2 ST2 NW2 <i>Flat Cut</i> LC2 KD2 MH2 MC2 VM2 LM2 BU2 BE2 QR2 <i>Textured Laminate</i> (10% upcharge) NG2 NH2  TFL Solid Color Laminate BL2 GR2 SG2 FW2 RW2	NL No Lock - Standard LCK1 Requires 1 Lock Core \$77   B3E Keyless \$338   NOTE: LCK Locks ordered separately on page 5.	AS No Pull  Awe   Crest   Era   Forte   Grip   B3D, SNCK Recessed (Satin Nickel Only) 	BWT Bone White CHLK Chalk MSL Luster Grey BKO Oryx SNCK Satin Nickel	Q3 None Q4 One Liner \$80 Q5 Two Liners \$160 Q6 Three Liners \$240 B3F Four Liners \$320

**HOW TO ORDER**

SPECIFY: Exterior chassis finish | drawer finish | drawer edge finish | lock | pull | pull finish | removable drawer liners. See page 11 for a complete offering of finishes.

**MODEL NUMBER**

MM-122433BC4

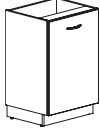
Exterior Chassis Finish	Door Finish	Door Edge Finish	Lock	Pull	Pull Finish	Removable Drawer Liners
NW2	NW2	NW2	LCK1	Awe	MSL	B3F



**BASE CABINETS SINGLE**

- Trash receptacle included with unit (9.375w x 15.375d x 17.875)
- 1 waste pullout drawer with liner
- 4" recessed toe kick
- Adjustable levelers
- In order to complete installation, either cove molding or toe kick rail must be adhered. Order cove molding separately, preferably from a local supplier early in the project. See pages 44 and 45 for toe kick rail offerings.
- All Mile Marker cabinetry is required to be anchored to a wall or floor. Installation hardware is not included with cabinets.

**BASE CABINET WITH WASTE PULLOUT DRAWER**








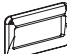
**18.25" DEEP MODELS**

model	w	d	h	wt	cu ft	List
MM-151833BCWP	15	18.25	33	50	7.0	\$ 1,130
MM-181833BCWP	18	18.25	33	55	8.2	\$ 1,183
MM-211833BCWP	21	18.25	33	60	9.4	\$ 1,216
MM-241833BCWP	24	18.25	33	65	10.7	\$ 1,237
MM-151836BCWP	15	18.25	36	55	7.6	\$ 1,262
MM-181836BCWP	18	18.25	36	60	8.9	\$ 1,299
MM-211836BCWP	21	18.25	36	65	10.2	\$ 1,333
MM-241836BCWP	24	18.25	36	70	11.6	\$ 1,336

**24.25" DEEP MODELS**

model	w	d	h	wt	cu ft	List
MM-152433BCWP	15	24.25	33	55	9.0	\$ 1,202
MM-182433BCWP	18	24.25	33	60	10.6	\$ 1,258
MM-212433BCWP	21	24.25	33	65	12.2	\$ 1,291
MM-242433BCWP	24	24.25	33	70	13.8	\$ 1,347
MM-152436BCWP	15	24.25	36	60	9.8	\$ 1,333
MM-182436BCWP	18	24.25	36	65	11.5	\$ 1,372
MM-212436BCWP	21	24.25	36	70	13.3	\$ 1,405
MM-242436BCWP	24	24.25	36	75	15.0	\$ 1,440

**OPTIONS**

Exterior Chassis Finish	Drawer Finish	Drawer Edge Finish	Pull	Pull Finish
TFL Woodgrain Laminate <i>Quartered</i> QE2 DS2 PC2 EN2 CO2 ST2 NW2 <i>Flat Cut</i> LC2 KD2 MH2 MC2 VM2 LM2 BU2 BE2 QR2 <i>Textured Laminate</i> (10% upcharge) NG2 NH2  TFL Solid Color Laminate BL2 GR2 SG2 FW2 RW2	TFL Woodgrain Laminate <i>Quartered</i> QE2 DS2 PC2 EN2 CO2 ST2 NW2 <i>Flat Cut</i> LC2 KD2 MH2 MC2 VM2 LM2 BU2 BE2 <i>Textured Laminate</i> (10% upcharge) NG2 NH2  TFL Solid Color Laminate BL2 GR2 FW2 RW2	TFL Woodgrain Laminate <i>Quartered</i> QE2 DS2 PC2 EN2 CO2 ST2 NW2 <i>Flat Cut</i> LC2 KD2 MH2 MC2 VM2 LM2 BU2 BE2 QR2 <i>Textured Laminate</i> (10% upcharge) NG2 NH2  TFL Solid Color Laminate BL2 GR2 SG2 FW2 RW2	AS No Pull  Awe   Crest   Era   Forte   Grip   B3D, SNCK Recessed (Satin Nickel Only) 	BWT Bone White CHLK Chalk MSL Luster Grey BKO Onyx SNCK Satin Nickel

**HOW TO ORDER**

SPECIFY: Exterior chassis finish | drawer finish | drawer edge finish | pull | pull finish. See page 11 for a complete offering of finishes.

**MODEL NUMBER**

MM-151833BCWP

Exterior Chassis Finish	Door Finish	Door Edge Finish	Pull	Pull Finish
NW2	NW2	NW2	Awe	MSL

**BASE CABINETS SINGLE**

- 1 pullout shelf
- 4" recessed toe kick
- Adjustable levelers
- In order to complete installation, either cove molding or toe kick rail must be adhered. Order cove molding separately, preferably from a local supplier early in the project. See pages 44 and 45 for toe kick rail offerings.
- All Mile Marker cabinetry is required to be anchored to a wall or floor. Installation hardware is not included with cabinets.

**BASE CABINET WITH PULLOUT SHELF**








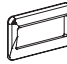
**18.25" DEEP MODELS**

model	w	d	h	wt	cu ft	List
MM-181833BCP	18	18.25	33	55	8.2	\$ 1,130
MM-211833BCP	21	18.25	33	60	9.4	\$ 1,183
MM-241833BCP	24	18.25	33	65	10.7	\$ 1,216
MM-271833BCP	27	18.25	33	70	11.9	\$ 1,237
MM-301833BCP	30	18.25	33	75	13.1	\$ 1,258
MM-331833BCP	33	18.25	33	78	14.4	\$ 1,278
MM-361833BCP	36	18.25	33	80	15.6	\$ 1,298
MM-181836BCP	18	18.25	36	60	8.9	\$ 1,262
MM-211836BCP	21	18.25	36	65	10.2	\$ 1,299
MM-241836BCP	24	18.25	36	70	11.6	\$ 1,333
MM-271836BCP	27	18.25	36	75	12.9	\$ 1,336
MM-301836BCP	30	18.25	36	80	14.3	\$ 1,339
MM-331836BCP	33	18.25	36	83	15.6	\$ 1,357
MM-361836BCP	36	18.25	36	85	16.9	\$ 1,373

**24.25" DEEP MODELS**

model	w	d	h	wt	cu ft	List
MM-182433BCP	18	24.25	33	55	10.6	\$ 1,202
MM-212433BCP	21	24.25	33	65	12.2	\$ 1,258
MM-242433BCP	24	24.25	33	70	13.8	\$ 1,291
MM-272433BCP	27	24.25	33	75	15.4	\$ 1,347
MM-302433BCP	30	24.25	33	80	17.0	\$ 1,404
MM-332433BCP	33	24.25	33	82	18.6	\$ 1,424
MM-362433BCP	36	24.25	33	85	20.2	\$ 1,442
MM-182436BCP	18	24.25	36	65	11.5	\$ 1,333
MM-212436BCP	21	24.25	36	70	13.3	\$ 1,372
MM-242436BCP	24	24.25	36	75	15.0	\$ 1,405
MM-272436BCP	27	24.25	36	80	16.7	\$ 1,440
MM-302436BCP	30	24.25	36	85	18.5	\$ 1,474
MM-332436BCP	33	24.25	36	88	20.2	\$ 1,494
MM-362436BCP	36	24.25	36	90	21.9	\$ 1,513

**OPTIONS**

Exterior Chassis Finish	Drawer Finish	Drawer Edge Finish	Pull	Pull Finish
TFL Woodgrain Laminate <i>Quartered</i> QE2 DS2 PC2 EN2 CO2 ST2 NW2 <i>Flat Cut</i> LC2 KD2 MH2 MC2 VM2 LM2 BU2 BE2 QR2 <i>Textured Laminate</i> (10% upcharge) NG2 NH2 TFL Solid Color Laminate BL2 GR2 SG2 FW2 RW2	TFL Woodgrain Laminate <i>Quartered</i> QE2 DS2 PC2 EN2 CO2 ST2 NW2 <i>Flat Cut</i> LC2 KD2 MH2 MC2 VM2 LM2 BU2 BE2 QR2 <i>Textured Laminate</i> (10% upcharge) NG2 NH2 TFL Solid Color Laminate BL2 GR2 SG2 FW2 RW2	TFL Woodgrain Laminate <i>Quartered</i> QE2 DS2 PC2 EN2 CO2 ST2 NW2 <i>Flat Cut</i> LC2 KD2 MH2 MC2 VM2 LM2 BU2 BE2 QR2 <i>Textured Laminate</i> (10% upcharge) NG2 NH2 TFL Solid Color Laminate BL2 GR2 SG2 FW2 RW2	AS No Pull Awe  Crest  Era  Forte  Grip  B3D, SNCK Recessed (Satin Nickel Only) 	BWT Bone White CHLK Chalk MSL Luster Grey BKO Onyx SNCK Satin Nickel

**HOW TO ORDER**

SPECIFY: Exterior chassis finish | drawer finish | drawer edge finish | pull | pull finish. See page 11 for a complete offering of finishes.

**MODEL NUMBER**

MM-181833BCP

Exterior Chassis Finish	Door Finish	Drawer Edge Finish	Pull	Pull Finish
NW2	NW2	NW2	Awe	MSL

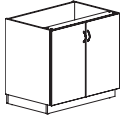
**BASE CABINETS DOUBLE**

- 2 doors
- 4" recessed toe kick
- Adjustable levelers
- May be installed alone or with multiple base cabinets

- Work Surfaces (sold separately) are attached to top of cabinet
- In order to complete installation, either cove molding or toe kick rail must be adhered. Order cove molding separately, preferably from a local supplier early in the project. See pages 44 and 45 for toe kick rail offerings.

- All Mile Marker cabinetry is required to be anchored to a wall or floor. Installation hardware is not included with cabinets.

**BASE CABINET WITH DOORS**



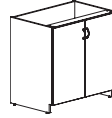
**18.25" DEEP MODELS**

model	w	d	h	wt	cu ft	List
MM-271833BCD	27	18.25	33	70	11.9	\$ 835
MM-301833BCD	30	18.25	33	75	13.1	\$ 881
MM-331833BCD	33	18.25	33	78	14.4	\$ 876
MM-361833BCD	36	18.25	33	80	15.6	\$ 921
MM-271836BCD	27	18.25	36	80	12.9	\$ 921
MM-301836BCD	30	18.25	36	85	14.3	\$ 971
MM-331836BCD	33	18.25	36	88	15.6	\$ 968
MM-361836BCD	36	18.25	36	90	16.9	\$ 1,018

**24.25" DEEP MODELS**

model	w	d	h	wt	cu ft	List
MM-272433BCD	27	24.25	33	75	15.4	\$ 951
MM-302433BCD	30	24.25	33	80	17.0	\$ 996
MM-332433BCD	33	24.25	33	83	18.6	\$ 991
MM-362433BCD	36	24.25	33	85	20.2	\$ 1,038
MM-272436BCD	27	24.25	36	85	16.7	\$ 1,037
MM-302436BCD	30	24.25	36	90	18.5	\$ 1,086
MM-332436BCD	33	24.25	36	93	20.2	\$ 1,085
MM-362436BCD	36	24.25	36	95	21.9	\$ 1,135

**BASE CABINET WITH DOORS OPEN BOTTOM**



**18.25" DEEP MODELS**

model	w	d	h	wt	cu ft	List
MM-271833BCDO	27	18.25	33	70	11.9	\$ 786
MM-301833BCDO	30	18.25	33	75	13.1	\$ 831
MM-331833BCDO	33	18.25	33	78	14.4	\$ 826
MM-361833BCDO	36	18.25	33	80	15.6	\$ 871
MM-271836BCDO	27	18.25	36	80	12.9	\$ 873
MM-301836BCDO	30	18.25	36	85	14.3	\$ 922
MM-331836BCDO	33	18.25	36	88	15.6	\$ 921
MM-361836BCDO	36	18.25	36	90	16.9	\$ 971

**24.25" DEEP MODELS**

model	w	d	h	wt	cu ft	List
MM-272433BCDO	27	24.25	33	75	15.4	\$ 902
MM-302433BCDO	30	24.25	33	80	17.0	\$ 947
MM-332433BCDO	33	24.25	33	83	18.6	\$ 942
MM-362433BCDO	36	24.25	33	85	20.2	\$ 988
MM-272436BCDO	27	24.25	36	85	16.7	\$ 989
MM-302436BCDO	30	24.25	36	90	18.5	\$ 1,039
MM-332436BCDO	33	24.25	36	93	20.2	\$ 1,038
MM-362436BCDO	36	24.25	36	95	21.9	\$ 1,086

**OPTIONS**

Exterior Chassis Finish	Door Finish	Door Edge Finish	Hinge	Shelf	Lock	Pull	Pull Finish
TFL Woodgrain Laminate <i>Quartered</i> QE2 DS2 PC2 EN2 CO2 ST2 NW2 <i>Flat Cut</i> LC2 KD2 MH2 MC2 VM2 LM2 BU2 BE2 QR2 <i>Textured Laminate</i> (10% upcharge) NG2 NH2 TFL Solid Color Laminate BL2 GR2 SG2 FW2 RW2	TFL Woodgrain Laminate <i>Quartered</i> QE2 DS2 PC2 EN2 CO2 ST2 NW2 <i>Flat Cut</i> LC2 KD2 MH2 MC2 VM2 LM2 BU2 BE2 QR2 <i>Textured Laminate</i> (10% upcharge) NG2 NH2 TFL Solid Color Laminate BL2 GR2 SG2 FW2 RW2	TFL Woodgrain Laminate <i>Quartered</i> QE2 DS2 PC2 EN2 CO2 ST2 NW2 <i>Flat Cut</i> LC2 KD2 MH2 MC2 VM2 LM2 BU2 BE2 QR2 <i>Textured Laminate</i> (10% upcharge) NG2 NH2 TFL Solid Color Laminate BL2 GR2 SG2 FW2 RW2	B3G Euro Soft Close Standard  B3J 5 Knuckle  B3H Euro Knuckle \$87 	X9 None Standard B3N Fixed \$86 R8 Adjustable \$86	NL No Lock - Standard LCK1 Requires 1 Lock Core \$77  B3E Keyless \$568  NOTE: LCK Locks ordered separately on page 5.	AS No Pull Awe  Crest  Era  Forte  Grip  B3D, SNCK Recessed (Satin Nickel Only) 	BWT Bone White CHLK Chalk MSL Luster Grey BKO Onyx SNCK Satin Nickel

**HOW TO ORDER**

SPECIFY: Exterior chassis finish | door finish | door edge finish | hinge | shelf | lock | pull | pull finish. See page 11 for a complete offering of finishes.

**MODEL NUMBER**

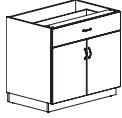
MM-271833BCD

Exterior Chassis Finish	Door Finish	Door Edge Finish	Hinge	Shelf	Lock	Pull	Pull Finish
NW2	NW2	NW2	B3G	R8	LCK1	Awe	MSL

**BASE CABINETS DOUBLE**

- 1 drawer
- 2 doors
- 4" recessed toe kick
- Adjustable levels
- Lock Options for Top Drawer only
- May be installed alone or with multiple base cabinets
- Work Surfaces (sold separately) are attached to top of cabinet
- In order to complete installation, either cove molding or toe kick rail must be adhered. Order cove molding separately, preferably from a local supplier early in the project. See pages 44 and 45 for toe kick rail offerings.
- All Mile Marker cabinetry is required to be anchored to a wall or floor. Installation hardware is not included with cabinets.

**BASE CABINET WITH 2 DOORS AND 1 DRAWER**



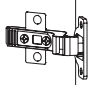



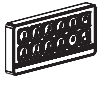





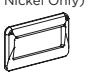
**18.25" DEEP MODELS**

model	w	d	h	wt	cu ft	List
MM-271833BCDD	27	18.25	33	70	11.9	\$ 963
MM-301833BCDD	30	18.25	33	75	13.1	\$ 1,018
MM-331833BCDD	33	18.25	33	78	14.4	\$ 1,023
MM-361833BCDD	36	18.25	33	80	15.6	\$ 1,079
MM-271836BCDD	27	18.25	36	80	12.9	\$ 1,080
MM-301836BCDD	30	18.25	36	85	14.3	\$ 1,135
MM-331836BCDD	33	18.25	36	88	15.6	\$ 1,139
MM-361836BCDD	36	18.25	36	90	16.9	\$ 1,196

**24.25" DEEP MODELS**

model	w	d	h	wt	cu ft	List
MM-272433BCDD	27	24.25	33	75	15.4	\$ 1,197
MM-302433BCDD	30	24.25	33	80	17.0	\$ 1,251
MM-332433BCDD	33	24.25	33	83	18.6	\$ 1,256
MM-362433BCDD	36	24.25	33	85	20.2	\$ 1,311
MM-272436BCDD	27	24.25	36	85	16.7	\$ 1,312
MM-302436BCDD	30	24.25	36	90	18.5	\$ 1,367
MM-332436BCDD	33	24.25	36	93	20.2	\$ 1,370
MM-362436BCDD	36	24.25	36	95	21.9	\$ 1,425

**OPTIONS**

Exterior Chassis Finish	Door/Drawer Finish	Door/Drawer Edge Finish	Hinge	Shelf	Lock	Pull	Pull Finish	Removable Drawer Liners
TFL Woodgrain Laminate <i>Quartered</i> QE2 DS2 PC2 EN2 CO2 ST2 NW2 <i>Flat Cut</i> LC2 KD2 MH2 MC2 VM2 LM2 BU2 BE2 QR2 <i>Textured Laminate (10% upcharge)</i> NG2 NH2 TFL Solid Color Laminate BL2 GR2 SG2 FW2 RW2	TFL Woodgrain Laminate <i>Quartered</i> QE2 DS2 PC2 EN2 CO2 ST2 NW2 <i>Flat Cut</i> LC2 KD2 MH2 MC2 VM2 LM2 BU2 BE2 QR2 <i>Textured Laminate (10% upcharge)</i> NG2 NH2 TFL Solid Color Laminate BL2 GR2 SG2 FW2 RW2	TFL Woodgrain Laminate <i>Quartered</i> QE2 DS2 PC2 EN2 CO2 ST2 NW2 <i>Flat Cut</i> LC2 KD2 MH2 MC2 VM2 LM2 BU2 BE2 QR2 <i>Textured Laminate (10% upcharge)</i> NG2 NH2 TFL Solid Color Laminate BL2 GR2 SG2 FW2 RW2	B3G Euro Soft Close Standard  B3J 5 Knuckle  B3H Euro Knuckle \$87 	X9 None Standard B3N Fixed \$86 R8 Adjustable \$86	NL No Lock - Standard LCK1 Requires 1 Lock Core \$77  B3E Keyless \$568  NOTE: LCK Locks ordered separately on page 5.	AS No Pull Awe  Crest  Era  Forte  Grip  B3D, SNCK Recessed (Satin Nickel Only) 	BWT Bone White Chalk CHLK MSL Luster Grey BKO Onyx SNCK Satin Nickel	Q3 None Q4 One Liner \$80

**HOW TO ORDER**

SPECIFY: Exterior chassis finish | door/drawer finish | door/drawer edge finish | hinge | shelf | lock | pull | pull finish | removable drawer liners. See page 11 for a complete offering of finishes.

**MODEL NUMBER**

MM-271833BCDD

Exterior Chassis Finish	Door/Drawer Finish	Door/Drawer Edge Finish	Hinge	Shelf	Lock	Pull	Pull Finish	Removable Drawer Liners
NW2	NW2	NW2	B3G	R8	LCK1	Awe	MSL	Q4

**BASE CABINETS DOUBLE**

- 2 drawers
- 2 doors
- 4" recessed toe kick
- Adjustable levelers
- Lock Options for Top Drawers only
- May be installed alone or with multiple base cabinets
- Work Surfaces (sold separately) are attached to top of cabinet
- In order to complete installation, either cove molding or toe kick rail must be adhered. Order cove molding separately, preferably from a local supplier early in the project. See pages 44 and 45 for toe kick rail offerings.
- All Mile Marker cabinetry is required to be anchored to a wall or floor. Installation hardware is not included with cabinets.

**BASE CABINET WITH 2 DOORS AND 2 DRAWER**



**18.25" DEEP MODELS**

model	w	d	h	wt	cu ft	List
MM-271833BCDD2	27	18.25	33	70	11.9	\$ 1,023
MM-301833BCDD2	30	18.25	33	75	13.1	\$ 1,118
MM-331833BCDD2	33	18.25	33	78	14.4	\$ 1,083
MM-361833BCDD2	36	18.25	33	80	15.6	\$ 1,178
MM-271836BCDD2	27	18.25	36	80	12.9	\$ 1,139
MM-301836BCDD2	30	18.25	36	85	14.3	\$ 1,234
MM-331836BCDD2	33	18.25	36	88	15.6	\$ 1,200
MM-361836BCDD2	36	18.25	36	90	16.9	\$ 1,294

**24.25" DEEP MODELS**

model	w	d	h	wt	cu ft	List
MM-272433BCDD2	27	24.25	33	75	15.4	\$ 1,256
MM-302433BCDD2	30	24.25	33	80	17.0	\$ 1,349
MM-332433BCDD2	33	24.25	33	83	18.6	\$ 1,315
MM-362433BCDD2	36	24.25	33	85	20.2	\$ 1,410
MM-272436BCDD2	27	24.25	36	85	16.7	\$ 1,372
MM-302436BCDD2	30	24.25	36	90	18.5	\$ 1,466
MM-332436BCDD2	33	24.25	36	93	20.2	\$ 1,431
MM-362436BCDD2	36	24.25	36	95	21.9	\$ 1,525

**OPTIONS**

Exterior Chassis Finish	Door/Drawer Finish	Door/Drawer Edge Finish	Hinge	Shelf	Lock	Pull	Pull Finish	Removable Drawer Liners
TFL Woodgrain Laminate <i>Quartered</i> QE2 DS2 PC2 EN2 CO2 ST2 NW2 <i>Flat Cut</i> LC2 KD2 MH2 MC2 VM2 LM2 BU2 BE2 QR2 <i>Textured Laminate (10% upcharge)</i> NG2 NH2  TFL Solid Color Laminate BL2 GR2 SG2 FW2 RW2	TFL Woodgrain Laminate <i>Quartered</i> QE2 DS2 PC2 EN2 CO2 ST2 NW2 <i>Flat Cut</i> LC2 KD2 MH2 MC2 VM2 LM2 BU2 BE2 QR2 <i>Textured Laminate (10% upcharge)</i> NG2 NH2  TFL Solid Color Laminate BL2 GR2 SG2 FW2 RW2	TFL Woodgrain Laminate <i>Quartered</i> QE2 DS2 PC2 EN2 CO2 ST2 NW2 <i>Flat Cut</i> LC2 KD2 MH2 MC2 VM2 LM2 BU2 BE2 QR2 <i>Textured Laminate (10% upcharge)</i> NG2 NH2  TFL Solid Color Laminate BL2 GR2 SG2 FW2 RW2	B3G Euro Soft Close Standard  B3J 5 Knuckle  B3H Euro Knuckle \$87 	X9 None Standard B3N Fixed \$86 R8 Adjustable \$86	NL No Lock - Standard LCK1 Requires 1 Lock Core \$77  B3E Keyless \$568   NOTE: LCK Locks ordered separately on page 5.	AS No Pull Awe  Crest  Era  Forte  Grip  B3D, SNCK Recessed (Satin Nickel Only) 	BWT Bone White CHLK Chalk MSL Luster Grey BKO Onyx SNCK Satin Nickel	Q3 None Q4 One Liner \$80 Q5 Two Liners \$160

**HOW TO ORDER**

SPECIFY: Exterior chassis finish | door/drawer finish | door/drawer edge finish | hinge | shelf | lock | pull | pull finish | removable drawer liners. See page 11 for a complete offering of finishes.

**MODEL NUMBER**

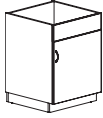
MM-271833BCDD2

Exterior Chassis Finish	Door/Drawer Finish	Door/Drawer Edge Finish	Hinge	Shelf	Lock	Pull	Pull Finish	Removable Drawer Liners
NW2	NW2	NW2	B3G	R8	LCK2	Awe	MSL	Q4

**BASE CABINETS SINGLE SINK**

- 1 door
- 4" recessed toe kick
- Adjustable levelers
- May be installed alone or with multiple base cabinets
- Work Surfaces (sold separately) are attached to top of cabinet
- Drain basket not included when a sink is provided
- In order to complete installation, either cove molding or toe kick rail must be adhered. Order cove molding separately, preferably from a local supplier early in the project. See pages 44 and 45 for toe kick rail offerings.
- All Mile Marker cabinetry is required to be anchored to a wall or floor. Installation hardware is not included with cabinets.

**SINGLE SINK CABINET WITH DOOR**



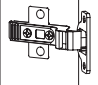

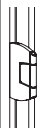
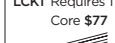






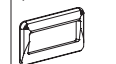
**18.25" DEEP MODELS**

model	exterior dimensions			interior dimensions		weight lbs.	cu ft.	list price
	w	d	h	w	d			
MM-241833BSC	24	18.25	33	22.5	16.75	55	10.7	\$ 903
MM-241836BSC	24	18.25	36	22.5	16.75	60	11.6	\$ 975

**24.25" DEEP MODELS**

model	exterior dimensions			interior dimensions		weight lbs.	cu ft.	list price
	w	d	h	w	d			
MM-242433BSC	24	24.25	33	22.5	22.75	60	13.8	\$ 961
MM-242436BSC	24	24.25	36	22.5	22.75	65	15.0	\$ 1,037

**OPTIONS**

Exterior Chassis Finish	Door Finish	Door Edge Finish	Hinge Location	Hinge	Lock	Pull	Pull Finish
TFL Woodgrain Laminate <i>Quartered</i> QE2 DS2 PC2 EN2 CO2 ST2 NW2 <i>Flat Cut</i> LC2 KD2 MH2 MC2 VM2 LM2 BU2 BE2 QR2 <i>Textured Laminate (10% upcharge)</i> NG2 NH2	TFL Woodgrain Laminate <i>Quartered</i> QE2 DS2 PC2 EN2 CO2 ST2 NW2 <i>Flat Cut</i> LC2 KD2 MH2 MC2 VM2 LM2 BU2 BE2 QR2 <i>Textured Laminate (10% upcharge)</i> NG2 NH2	TFL Woodgrain Laminate <i>Quartered</i> QE2 DS2 PC2 EN2 CO2 ST2 NW2 <i>Flat Cut</i> LC2 KD2 MH2 MC2 VM2 LM2 BU2 BE2 QR2 <i>Textured Laminate (10% upcharge)</i> NG2 NH2	B3K Left B3L Right	B3G Euro Soft Close Standard  B3J 5 Knuckle  B3H Euro Knuckle \$44 	NL No Lock - Standard LCK1 Requires 1 Lock Core \$77  B3E Keyless \$568  NOTE: LCK Locks ordered separately on page 5.	AS No Pull Awe  Crest  Era  Forte  Grip  B3D, SNCK Recessed (Satin Nickel Only) 	Standard Powder Coats BWT Bone White CHLK Chalk MSL Luster Grey BKO Onyx SNCK Satin Nickel

**HOW TO ORDER**

SPECIFY: Exterior chassis finish | door finish | door edge finish | hinge location | hinge | lock | pull | pull finish. See page 11 for a complete offering of finishes.

**MODEL NUMBER**

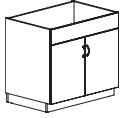
MM-241833BSC

Exterior Chassis Finish	Door Finish	Door Edge Finish	Hinge Location	Hinge	Lock	Pull	Pull Finish
NW2	NW2	NW2	B3K	B3G	LCK1	Awe	MSL

**BASE CABINETS DOUBLE SINK**

- 2 doors
- 4" recessed toe kick
- Adjustable levelers
- May be installed alone or with multiple base cabinets
- Work Surfaces (sold separately) are attached to top of cabinet
- Drain basket not included when a sink is provided
- In order to complete installation, either cove molding or toe kick rail must be adhered. Order cove molding separately, preferably from a local supplier early in the project. See pages 44 and 45 for toe kick rail offerings.
- All Mile Marker cabinetry is required to be anchored to a wall or floor. Installation hardware is not included with cabinets.

**DOUBLE SINK CABINET WITH DOORS**



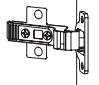
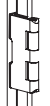
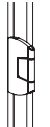
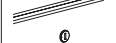
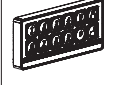





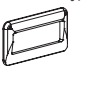
**18.25" DEEP MODELS**

model	exterior dimensions			interior dimensions		weight lbs.	cu ft.	list price
	w	d	h	w	d			
MM-271833BSC	27	18.25	33	25.5	16.75	55	11.9	\$ 909
MM-301833BSC	30	18.25	33	28.5	16.75	60	13.1	\$ 925
MM-331833BSC	33	18.25	33	31.5	16.75	63	14.4	\$ 944
MM-361833BSC	36	18.25	33	34.5	16.75	65	15.6	\$ 962
MM-271836BSC	27	18.25	36	25.5	16.75	60	12.9	\$ 973
MM-301836BSC	30	18.25	36	28.5	16.75	65	14.3	\$ 992
MM-331836BSC	33	18.25	36	31.5	16.75	68	15.6	\$ 1,013
MM-361836BSC	36	18.25	36	34.5	16.75	70	16.9	\$ 1,046

**24.25" DEEP MODELS**

model	exterior dimensions			interior dimensions		weight lbs.	cu ft.	list price
	w	d	h	w	d			
MM-272433BSC	27	24.25	33	25.5	22.75	60	15.4	\$ 1,050
MM-302433BSC	30	24.25	33	28.5	22.75	65	17	\$ 1,079
MM-332433BSC	33	24.25	33	31.5	22.75	68	18.6	\$ 1,082
MM-362433BSC	36	24.25	33	34.5	22.75	70	20.2	\$ 1,111
MM-272436BSC	27	24.25	36	25.5	22.75	65	16.7	\$ 1,115
MM-302436BSC	30	24.25	36	28.5	22.75	70	18.5	\$ 1,149
MM-332436BSC	33	24.25	36	31.5	22.75	73	20.2	\$ 1,158
MM-362436BSC	36	24.25	36	34.5	22.75	65	21.9	\$ 1,194

**OPTIONS**

Exterior Chassis Finish	Door Finish	Door Edge Finish	Hinge	Lock	Pull	Pull Finish
TFL Woodgrain Laminate <i>Quartered</i> QE2 DS2 PC2 EN2 CO2 ST2 NW2 <i>Flat Cut</i> LC2 KD2 MH2 MC2 VM2 LM2 BU2 BE2 QR2 <i>Textured Laminate</i> <i>(10% upcharge)</i> NG2 NH2 TFL Solid Color Laminate BL2 GR2 SG2 FW2 RW2	TFL Woodgrain Laminate <i>Quartered</i> QE2 DS2 PC2 EN2 CO2 ST2 NW2 <i>Flat Cut</i> LC2 KD2 MH2 MC2 VM2 LM2 BU2 BE2 QR2 <i>Textured Laminate</i> <i>(10% upcharge)</i> NG2 NH2 TFL Solid Color Laminate BL2 GR2 SG2 FW2 RW2	TFL Woodgrain Laminate <i>Quartered</i> QE2 DS2 PC2 EN2 CO2 ST2 NW2 <i>Flat Cut</i> LC2 KD2 MH2 MC2 VM2 LM2 BU2 BE2 QR2 <i>Textured Laminate</i> <i>(10% upcharge)</i> NG2 NH2 TFL Solid Color Laminate BL2 GR2 SG2 FW2 RW2	B3G Euro Soft Close Standard  B3J 5 Knuckle  B3H Euro Knuckle \$87 	NL No Lock - Standard LCK1 Requires 1 Lock Core \$77  B3E Keyless \$568  NOTE: LCK Locks ordered separately on page 5.	AS No Pull Awe  Crest  Era  Forte  Grip  B3D, SNCK Recessed (Satin Nickel Only) 	Standard Powder Coats BWT Bone White CHLK Chalk MSL Luster Grey BKO Onyx SNCK Satin Nickel

**HOW TO ORDER**

SPECIFY: Exterior chassis finish | door finish | door edge finish | hinge | lock | pull | pull finish. See page 11 for a complete offering of finishes.

**MODEL NUMBER**

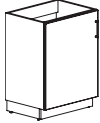
MM-271833BSC

Exterior Chassis Finish	Door Finish	Door Edge Finish	Hinge	Lock	Pull	Pull Finish
NW2	NW2	NW2	B3G	LCK1	Awe	MSL

**BASE SINK CABINET**

- 1 full hinged door
- 4" recessed toe kick
- Adjustable levelers
- May be installed alone or with multiple base cabinets
- Work Surfaces (sold separately) are attached to top of cabinet
- In order to complete installation, either cove molding or toe kick rail must be adhered. Order cove molding separately, preferably from a local supplier early in the project. See pages 44 and 45 for toe kick rail offerings.

**BASE SINK CABINET**

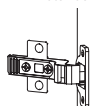
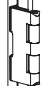

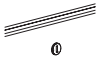






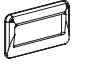


**18.25" DEEP MODELS**

model	exterior dimensions			interior dimensions		weight lbs.	cu ft.	list price
	w	d	h	w	d			
MM-241833BSCFD	24	18.25	33	22.5	16.75	55	10.7	\$ 890
MM-241836BSCFD	24	18.25	36	22.5	16.75	60	11.6	\$ 962

**24.25" DEEP MODELS**

**OPTIONS**

Exterior Chassis Finish	Door Finish	Door Edge Finish	Hinge Location	Hinge	Lock	Pull	Pull Finish
TFL Woodgrain Laminate <i>Quartered</i> QE2 DS2 PC2 EN2 CO2 ST2 NW2 <i>Flat Cut</i> LC2 KD2 MH2 MC2 VM2 LM2 BU2 BE2 QR2 <i>Textured Laminate</i> (10% upcharge) NG2 NH2  TFL Solid Color Laminate BL2 GR2 SG2 FW2 RW2	TFL Woodgrain Laminate <i>Quartered</i> QE2 DS2 PC2 EN2 CO2 ST2 NW2 <i>Flat Cut</i> LC2 KD2 MH2 MC2 VM2 LM2 BU2 BE2 QR2 <i>Textured Laminate</i> (10% upcharge) NG2 NH2  TFL Solid Color Laminate BL2 GR2 SG2 FW2 RW2	TFL Woodgrain Laminate <i>Quartered</i> QE2 DS2 PC2 EN2 CO2 ST2 NW2 <i>Flat Cut</i> LC2 KD2 MH2 MC2 VM2 LM2 BU2 BE2 QR2 <i>Textured Laminate</i> (10% upcharge) NG2 NH2  TFL Solid Color Laminate BL2 GR2 SG2 FW2 RW2	B3K Left B3L Right	B3G Euro Soft Close Standard   B3J 5 Knuckle   B3H Euro Knuckle \$44 	NL No Lock - Standard LCK1 Requires 1 Lock Core \$77   B3E Keyless \$568   NOTE: LCK Locks ordered separately on page 5.	AS No Pull  Awe   Crest   Era   Forte   Grip   B3D, SNCK Recessed (Satin Nickel Only) 	Standard Powder Coats BWT Bone White CHLK Chalk MSL Luster Grey BKO Onyx SNCK Satin Nickel

**HOW TO ORDER**

SPECIFY: Exterior chassis finish | door finish | door edge finish | hinge location | hinge | lock | pull | pull finish. See page 11 for a complete offering of finishes.

**MODEL NUMBER**

MM-241833BSCFD

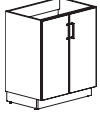
Exterior Chassis Finish	Door Finish	Door Edge Finish	Hinge Location	Hinge	Lock	Pull	Pull Finish
NW2	NW2	NW2	B3K	B3G	LCK1	Awe	MSL



**BASE SINK CABINET**

- 2 full hinged doors
- 4" recessed toe kick
- Adjustable levelers
- May be installed alone or with multiple base cabinets
- Work Surfaces (sold separately) are attached to top of cabinet
- In order to complete installation, either cove molding or toe kick rail must be adhered. Order cove molding separately, preferably from a local supplier early in the project. See pages 44 and 45 for toe kick rail offerings.

**BASE SINK CABINET WITH 2 DOORS**



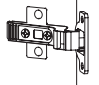


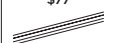






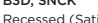

**18.25" DEEP MODELS**

model	exterior dimensions			interior dimensions		weight lbs.	cu ft.	list price
	w	d	h	w	d			
MM-271833BSCFD	27	18.25	33	25.5	16.75	55	11.9	\$ 909
MM-301833BSCFD	30	18.25	33	28.5	16.75	60	13.1	\$ 925
MM-331833BSCFD	33	18.25	33	31.5	16.75	63	14.4	\$ 944
MM-361833BSCFD	36	18.25	33	34.5	16.75	65	15.6	\$ 962
MM-271836BSCFD	27	18.25	36	25.5	16.75	60	12.9	\$ 973
MM-301836BSCFD	30	18.25	36	28.5	16.75	65	14.3	\$ 992
MM-331836BSCFD	33	18.25	36	31.5	16.75	68	15.6	\$ 1,013
MM-361836BSCFD	36	18.25	36	34.5	16.75	70	16.9	\$ 1,033

**24.25" DEEP MODELS**

model	exterior dimensions			interior dimensions		weight lbs.	cu ft.	list price
	w	d	h	w	d			
MM-272433BSCFD	27	24.25	33	25.5	22.75	60	15.4	\$ 1,050
MM-302433BSCFD	30	24.25	33	28.5	22.75	65	17	\$ 1,067
MM-332433BSCFD	33	24.25	33	31.5	22.75	68	18.6	\$ 1,082
MM-362433BSCFD	36	24.25	33	34.5	22.75	70	20.2	\$ 1,099
MM-272436BSCFD	27	24.25	36	25.5	22.75	65	16.7	\$ 1,115
MM-302436BSCFD	30	24.25	36	28.5	22.75	70	18.5	\$ 1,136
MM-332436BSCFD	33	24.25	36	31.5	22.75	73	20.2	\$ 1,158
MM-362436BSCFD	36	24.25	36	34.5	22.75	75	21.9	\$ 1,181

**OPTIONS**

Exterior Chassis Finish	Door Finish	Door Edge Finish	Hinge	Lock	Pull	Pull Finish
TFL Woodgrain Laminate <i>Quartered</i> QE2 DS2 PC2 EN2 CO2 ST2 NW2 <i>Flat Cut</i> LC2 KD2 MH2 MC2 VM2 LM2 BU2 BE2 QR2 <i>Textured Laminate</i> (10% upcharge) NG2 NH2  TFL Solid Color Laminate BL2 GR2 SG2 FW2 RW2	TFL Woodgrain Laminate <i>Quartered</i> QE2 DS2 PC2 EN2 CO2 ST2 NW2 <i>Flat Cut</i> LC2 KD2 MH2 MC2 VM2 LM2 BU2 BE2 QR2 <i>Textured Laminate</i> (10% upcharge) NG2 NH2  TFL Solid Color Laminate BL2 GR2 SG2 FW2 RW2	TFL Woodgrain Laminate <i>Quartered</i> QE2 DS2 PC2 EN2 CO2 ST2 NW2 <i>Flat Cut</i> LC2 KD2 MH2 MC2 VM2 LM2 BU2 BE2 QR2 <i>Textured Laminate</i> (10% upcharge) NG2 NH2  TFL Solid Color Laminate BL2 GR2 SG2 FW2 RW2	<b>B3G</b> Euro Soft Close Standard   <b>B3J</b> 5 Knuckle   <b>B3H</b> Euro Knuckle \$44 	<b>NL</b> No Lock - Standard <b>LCK1</b> Requires 1 Lock Core \$77   <b>B3E</b> Keyless \$568   NOTE: LCK Locks ordered separately on page 5.	<b>AS</b> No Pull   <b>Awe</b>   <b>Crest</b>   <b>Era</b>   <b>Forte</b>   <b>Grip</b>   <b>B3D, SNCK</b> Recessed (Satin Nickel Only) 	Standard Powder Coats <b>BWT</b> Bone White <b>CHLK</b> Chalk <b>MSL</b> Luster Grey <b>BKO</b> Onyx <b>SNCK</b> Satin Nickel

**HOW TO ORDER**

SPECIFY: Exterior chassis finish | door finish | door edge finish | hinge | lock | pull | pull finish. See page 11 for a complete offering of finishes.

**MODEL NUMBER**

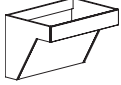
MM-271833BSCFD

Exterior Chassis Finish	Door Finish	Door Edge Finish	Hinge	Lock	Pull	Pull Finish
NW2	NW2	NW2	B3G	LCK1	Awe	MSL

**BASE CABINETS ADA SINK**

- Removable angled front panel
- Adjustable levelers
- May be installed alone or with multiple base cabinets
- Work Surfaces (sold separately) are attached to top of cabinet
- Drain basket not included when a sink is provided
- In order to complete installation, either cove molding or toe kick rail must be adhered. Order cove molding separately, preferably from a local supplier early in the project. See pages 44 and 45 for toe kick rail offerings.
- All Mile Marker cabinetry is required to be anchored to a wall or floor. Installation hardware is not included with cabinets.

**ADA SINK CABINET**



**18.25" DEEP MODEL**

model	exterior dimensions			interior dimensions		weight lbs.	cu ft.	list price
	w	d	h	w	d			
MM-301833ADA	30	18.25	33	28.5	16.75	55	13.1	\$ 896
MM-331833ADA	33	18.25	33	31.5	16.75	58	14.4	\$ 909
MM-361833ADA	36	18.25	33	34.5	16.75	60	15.6	\$ 920

**24.25" DEEP MODEL**

model	exterior dimensions			interior dimensions		weight lbs.	cu ft.	list price
	w	d	h	w	d			
MM-302433ADA	30	24.25	33	28.5	22.75	60	17	\$ 997
MM-332433ADA	33	24.25	33	31.5	22.75	63	18.6	\$ 1,010
MM-362433ADA	36	24.25	33	34.5	22.75	65	20.2	\$ 1,021

**OPTIONS**

Exterior Chassis Finish	Front Finish	Edge Finish
TFL Woodgrain Laminate <i>Quartered</i> QE2 DS2 PC2 EN2 CO2 ST2 NW2	TFL Woodgrain Laminate <i>Quartered</i> QE2 DS2 PC2 EN2 CO2 ST2 NW2	TFL Woodgrain Laminate <i>Quartered</i> QE2 DS2 PC2 EN2 CO2 ST2 NW2
<i>Flat Cut</i> LC2 KD2 MH2 MC2 VM2 LM2 BU2 BE2 QR2	<i>Flat Cut</i> LC2 KD2 MH2 MC2 VM2 LM2 BU2 BE2 QR2	<i>Flat Cut</i> LC2 KD2 MH2 MC2 VM2 LM2 BU2 BE2 QR2
<i>Textured Laminate (10% upcharge)</i> NG2 NH2	<i>Textured Laminate (10% upcharge)</i> NG2 NH2	<i>Textured Laminate (10% upcharge)</i> NG2 NH2
TFL Solid Color Laminate BL2 GR2 SG2 FW2 RW2	TFL Solid Color Laminate BL2 GR2 SG2 FW2 RW2	TFL Solid Color Laminate BL2 GR2 SG2 FW2 RW2

**HOW TO ORDER**

SPECIFY: Exterior chassis finish | front finish | edge finish. See page 11 for a complete offering of finishes.

**MODEL NUMBER**

MM-361833ADA

Exterior Chassis Finish	Front Finish	Edge Finish
NW2	NW2	NW2

**BASE CABINETS FILLER**

- 4" recessed toe kick
- In order to complete installation, either cove molding or toe kick rail must be adhered. Order cove molding separately, preferably from a local supplier early in the project. See pages 44 and 45 for toe kick rail offerings.
- All Mile Marker cabinetry is required to be anchored to a wall or floor. Installation hardware is not included with cabinets.

**BASE FILLER**



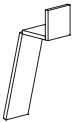
model	w	d	h	wt	cu ft	List
MM-633BF	6	2	33	3	0.6	\$ 116
MM-636BF	6	2	36	3	0.7	\$ 120

**CORNER BASE FILLER**



model	w	d	h	wt	cu ft	List
MM-833CBF	7.88	2	33	3	0.8	\$ 132
MM-836CBF	7.88	2	36	3	0.9	\$ 141

**ADA BASE FILLER**



model	w	d	h	wt	cu ft	List
MM-618ADAF	6	12.2	24	3	1.7	\$ 136
MM-624ADAF	6	18.1	24	3	2.4	\$ 146

**OPTIONS**

**Exterior Chassis Finish**

TFL Woodgrain Laminate

*Quartered*

QE2 DS2 PC2

EN2 CO2 ST2

NW2

*Flat Cut*

LC2 KD2 MH2

MC2 VM2 LM2

BU2 BE2 QR2

*Textured Laminate*

*(10% upcharge)*

NG2 NH2

TFL Solid Color Laminate

BL2 GR2 SG2

FW2 RW2

**HOW TO ORDER**

SPECIFY: Exterior chassis finish. See page 11 for a complete offering of finishes.

**MODEL NUMBER**

MM-633BF

**Exterior Chassis Finish**

NW2

**TOE KICK RAIL**

- Toe kick rails can be adhered in multiple ways to the base of cabinets. Our suggested way would be with silicone or a similar adhesive applied to the back side of the rail. Other methods may be used based on the preference of the installer and/or the customer's approval.
- All Mile Marker cabinetry is required to be anchored to a wall or floor. Installation hardware is not included with cabinets.

**TOE KICK RAIL**



model	w	d	h	wt	cu ft	List
MM-411TR	11.5	.75	4	1	0.1	\$ 90
MM-412TR	12	.75	4	1	0.1	\$ 91
MM-414TR	14.5	.75	4	1	0.2	\$ 93
MM-415TR	15	.75	4	1	0.2	\$ 95
MM-417TR	17.5	.75	4	1	0.2	\$ 97
MM-418TR	18	.75	4	1	0.2	\$ 98
MM-420TR	20.5	.75	4	2	0.2	\$ 100
MM-421TR	21	.75	4	2	0.2	\$ 101
MM-423TR	23.5	.75	4	2	0.2	\$ 103
MM-424TR	24	.75	4	2	0.2	\$ 104
MM-426TR	26.5	.75	4	2	0.3	\$ 106
MM-427TR	27	.75	4	2	0.3	\$ 107
MM-429TR	29.5	.75	4	2	0.3	\$ 109
MM-430TR	30	.75	4	3	0.3	\$ 110
MM-432TR	32.5	.75	4	3	0.3	\$ 113
MM-433TR	33	.75	4	3	0.3	\$ 114
MM-435TR	35.5	.75	4	3	0.4	\$ 116
MM-436TR	36	.75	4	3	0.4	\$ 117
MM-438TR	38.5	.75	4	3	0.4	\$ 119
MM-439TR	39	.75	4	3	0.4	\$ 120
MM-441TR	41.5	.75	4	4	0.4	\$ 123
MM-442TR	42	.75	4	4	0.4	\$ 124
MM-444TR	44.5	.75	4	4	0.4	\$ 126
MM-445TR	45	.75	4	4	0.4	\$ 127
MM-447TR	47.5	.75	4	4	0.5	\$ 129
MM-448TR	48	.75	4	4	0.5	\$ 130
MM-450TR	50.5	.75	4	5	0.5	\$ 132
MM-451TR	51	.75	4	5	0.5	\$ 133
MM-453TR	53.5	.75	4	5	0.5	\$ 135
MM-454TR	54	.75	4	5	0.5	\$ 136

**OPTIONS**

**Exterior Chassis Finish**

TFL Woodgrain Laminate

*Quartered*

QE2 DS2 PC2

EN2 CO2 ST2

NW2

*Flat Cut*

LC2 KD2 MH2

MC2 VM2 LM2

BU2 BE2 QR2

*Textured Laminate*

*(10% upcharge)*

NG2 NH2

TFL Solid Color Laminate

BL2 GR2 SG2

FW2 RW2

**HOW TO ORDER**

SPECIFY: Exterior chassis finish. See page 11 for a complete offering of finishes.

**MODEL NUMBER**

MM-411TR

**Exterior Chassis Finish**

NW2

**TOE KICK RAIL (CONT.)**

- Toe kick rails can be adhered in multiple ways to the base of cabinets. Our suggested way would be with silicone or a similar adhesive applied to the back side of the rail. Other methods may be used based on the preference of the installer and/or the customer's approval.
- All Mile Marker cabinetry is required to be anchored to a wall or floor. Installation hardware is not included with cabinets.

**TOE KICK RAIL**



model	w	d	h	wt	cu ft	List
MM-456TR	56.5	.75	4	5	0.6	\$ 138
MM-457TR	57	.75	4	5	0.6	\$ 139
MM-459TR	59.5	.75	4	5	0.6	\$ 141
MM-460TR	60	.75	4	6	0.6	\$ 142
MM-462TR	62.5	.75	4	6	0.6	\$ 145
MM-463TR	63	.75	4	6	0.6	\$ 146
MM-465TR	65.5	.75	4	6	0.6	\$ 149
MM-466TR	66	.75	4	6	0.6	\$ 150
MM-468TR	68.5	.75	4	6	0.7	\$ 152
MM-469TR	69	.75	4	6	0.7	\$ 153
MM-471TR	71.5	.75	4	7	0.7	\$ 155
MM-472TR	72	.75	4	7	0.7	\$ 156
MM-474TR	74.5	.75	4	7	0.7	\$ 158
MM-475TR	75	.75	4	7	0.7	\$ 159
MM-477TR	77.5	.75	4	7	0.8	\$ 161
MM-478TR	78	.75	4	7	0.8	\$ 162
MM-480TR	80.5	.75	4	8	0.8	\$ 164
MM-481TR	81	.75	4	8	0.8	\$ 165
MM-483TR	83.5	.75	4	8	0.8	\$ 167
MM-484TR	84	.75	4	8	0.8	\$ 168
MM-486TR	86.5	.75	4	8	0.8	\$ 170
MM-487TR	87	.75	4	8	0.8	\$ 171
MM-489TR	89.5	.75	4	8	0.9	\$ 173
MM-490TR	90	.75	4	9	0.9	\$ 176
MM-492TR	92.5	.75	4	9	0.9	\$ 178
MM-493TR	93	.75	4	9	0.9	\$ 179
MM-495TR	95.5	.75	4	9	0.9	\$ 181
MM-496TR	96	.75	4	9	0.9	\$ 182

**OPTIONS**

**Exterior Chassis Finish**

TFL Woodgrain Laminate

*Quartered*

QE2 DS2 PC2

EN2 CO2 ST2

NW2

*Flat Cut*

LC2 KD2 MH2

MC2 VM2 LM2

BU2 BE2 QR2

*Textured Laminate*

*(10% upcharge)*

NG2 NH2

TFL Solid Color Laminate

BL2 GR2 SG2

FW2 RW2

**HOW TO ORDER**

SPECIFY: Exterior chassis finish. See page 11 for a complete offering of finishes.

**MODEL NUMBER**

MM-456TR

**Exterior Chassis Finish**

NW2

**BASE CABINETS END PANEL**

- Adjustable levelers
- In order to complete installation, either cove molding or toe kick rail must be adhered. Order cove molding separately, preferably from a local supplier early in the project. See pages 44 and 45 for toe kick rail offerings.
- All Mile Marker cabinetry is required to be anchored to a wall or floor. Installation hardware is not included with cabinets.

**BASE END PANEL**



**17.5" DEEP MODELS**

model	w	d	h	wt	cu ft	List
MM-1833BE	0.75	17.5	33	12	1.1	\$ 125
MM-1836BE	0.75	17.5	36	14	1.2	\$ 134

**23.5" DEEP MODELS**

model	w	d	h	wt	cu ft	List
MM-2433BE	0.75	23.5	33	17	1.4	\$ 164
MM-2436BE	0.75	23.5	36	18	1.5	\$ 180

**OPTIONS**

**Exterior Chassis Finish**

TFL Woodgrain Laminate

*Quartered*

QE2 DS2 PC2

EN2 CO2 ST2

NW2

*Flat Cut*

LC2 KD2 MH2

MC2 VM2 LM2

BU2 BE2 QR2

*Textured Laminate*

*(10% upcharge)*

NG2 NH2

TFL Solid Color Laminate

BL2 GR2 SG2

FW2 RW2

**HOW TO ORDER**

SPECIFY: Exterior chassis finish. See page 11 for a complete offering of finishes.

**MODEL NUMBER**

MM-1833BE

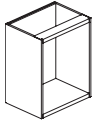
**Exterior Chassis Finish**

NW2

**WALL HANGING BASE CABINETS SINGLE**

- May be installed alone or with multiple base cabinets
- Work Surfaces (sold separately) are attached to top of cabinet
- All Mile Marker cabinetry is required to be anchored to a wall or floor. Installation hardware is not included with cabinets.

**WALL HANGING BASE CABINET OPEN**



**13.19" DEEP MODELS**

model	w	d	h	wt	cu ft	List
MM-121414HBC	12	13.19	14.5	20	2.0	\$ 297
MM-151414HBC	15	13.19	14.5	21	2.5	\$ 313
MM-181414HBC	18	13.19	14.5	22	2.9	\$ 326
MM-211414HBC	21	13.19	14.5	24	3.3	\$ 351
MM-241414HBC	24	13.19	14.5	26	3.8	\$ 396
MM-271414HBC	27	13.19	14.5	28	4.2	\$ 442
MM-301414HBC	30	13.19	14.5	30	4.6	\$ 488
MM-331414HBC	33	13.19	14.5	32	5.1	\$ 526
MM-361414HBC	36	13.19	14.5	34	5.5	\$ 561
MM-121416HBC	12	13.19	16	21	2.2	\$ 323
MM-151416HBC	15	13.19	16	22	2.7	\$ 342
MM-181416HBC	18	13.19	16	23	3.2	\$ 356
MM-211416HBC	21	13.19	16	25	3.6	\$ 379
MM-241416HBC	24	13.19	16	27	4.1	\$ 442
MM-271416HBC	27	13.19	16	30	4.6	\$ 487
MM-301416HBC	30	13.19	16	32	5.1	\$ 533
MM-331416HBC	33	13.19	16	34	5.5	\$ 573
MM-361416HBC	36	13.19	16	36	6.0	\$ 613
MM-121424HBC	12	13.19	24	24	3.2	\$ 371
MM-151424HBC	15	13.19	24	25	3.9	\$ 385
MM-181424HBC	18	13.19	24	26	4.6	\$ 399
MM-211424HBC	21	13.19	24	28	5.3	\$ 423
MM-241424HBC	24	13.19	24	30	5.9	\$ 467
MM-271424HBC	27	13.19	24	33	6.6	\$ 507
MM-301424HBC	30	13.19	24	35	7.3	\$ 546
MM-331424HBC	33	13.19	24	37	8.0	\$ 575
MM-361424HBC	36	13.19	24	39	8.7	\$ 603

**OPTIONS**

Exterior Chassis Finish	Shelf
TFL Woodgrain Laminate <i>Quartered</i> QE2 DS2 PC2 EN2 CO2 ST2 NW2 <i>Flat Cut</i> LC2 KD2 MH2 MC2 VM2 LM2 BU2 BE2 QR2 <i>Textured Laminate</i> <i>(10% upcharge)</i> NG2 NH2 TFL Solid Color Laminate BL2 GR2 SG2 FW2 RW2	X9 None Standard B3N Fixed \$86 R8 Adjustable \$86

**HOW TO ORDER**

SPECIFY: Exterior chassis finish | shelf. See page 11 for a complete offering of finishes.

**MODEL NUMBER**

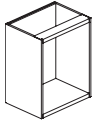
MM-121414HBC

Exterior Chassis Finish	Shelf
NW2	R8

**WALL HANGING BASE CABINETS SINGLE (CONT.)**

- May be installed alone or with multiple base cabinets
- Work Surfaces (sold separately) are attached to top of cabinet
- All Mile Marker cabinetry is required to be anchored to a wall or floor. Installation hardware is not included with cabinets.

**WALL HANGING BASE CABINET OPEN**



**13.19" DEEP MODELS**

model	w	d	h	wt	cu ft	List
MM-121429HBC	12	13.19	29	20	3.8	\$ 418
MM-151429HBC	15	13.19	29	21	4.6	\$ 430
MM-181429HBC	18	13.19	29	22	5.5	\$ 440
MM-211429HBC	21	13.19	29	24	6.3	\$ 467
MM-241429HBC	24	13.19	29	26	7.1	\$ 490
MM-271429HBC	27	13.19	29	35	7.9	\$ 527
MM-301429HBC	30	13.19	29	30	8.7	\$ 561
MM-331429HBC	33	13.19	29	39	9.5	\$ 587
MM-361429HBC	36	13.19	29	34	10.4	\$ 594
MM-121432HBC	12	13.19	32	21	4.2	\$ 488
MM-151432HBC	15	13.19	32	22	5.1	\$ 500
MM-181432HBC	18	13.19	32	23	6.0	\$ 508
MM-211432HBC	21	13.19	32	25	6.9	\$ 510
MM-241432HBC	24	13.19	32	27	7.8	\$ 537
MM-271432HBC	27	13.19	32	36	8.7	\$ 566
MM-301432HBC	30	13.19	32	32	9.6	\$ 594
MM-331432HBC	33	13.19	32	41	10.5	\$ 614
MM-361432HBC	36	13.19	32	36	11.4	\$ 635

**OPTIONS**

Exterior Chassis Finish	Shelf
TFL Woodgrain Laminate	<b>X9</b> None <b>Standard</b>
<i>Quartered</i>	<b>B3N</b> Fixed <b>\$86</b>
<b>QE2 DS2 PC2</b>	<b>R8</b> Adjustable <b>\$86</b>
<b>EN2 CO2 ST2</b>	
<b>NW2</b>	
<i>Flat Cut</i>	
<b>LC2 KD2 MH2</b>	
<b>MC2 VM2 LM2</b>	
<b>BU2 BE2 QR2</b>	
<i>Textured Laminate</i>	
<i>(10% upcharge)</i>	
<b>NG2 NH2</b>	
TFL Solid Color Laminate	
<b>BL2 GR2 SG2</b>	
<b>FW2 RW2</b>	

**HOW TO ORDER**

SPECIFY: Exterior chassis finish | shelf. See page 11 for a complete offering of finishes.

**MODEL NUMBER**

MM-121429HBC

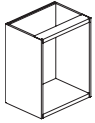
Exterior Chassis Finish	Shelf
NW2	R8



**WALL HANGING BASE CABINETS SINGLE (CONT.)**

- May be installed alone or with multiple base cabinets
- Work Surfaces (sold separately) are attached to top of cabinet
- All Mile Marker cabinetry is required to be anchored to a wall or floor. Installation hardware is not included with cabinets.

**WALL HANGING BASE CABINET OPEN**



**17.5" DEEP MODELS**

model	w	d	h	wt	cu ft	List
MM-121814HBC	12	17.5	14.5	25	2.6	\$ 345
MM-151814HBC	15	17.5	14.5	27	3.2	\$ 359
MM-181814HBC	18	17.5	14.5	28	3.7	\$ 372
MM-211814HBC	21	17.5	14.5	31	4.3	\$ 399
MM-241814HBC	24	17.5	14.5	34	4.8	\$ 423
MM-271814HBC	27	17.5	14.5	36	5.4	\$ 484
MM-301814HBC	30	17.5	14.5	30	6.0	\$ 544
MM-331814HBC	33	17.5	14.5	40	6.5	\$ 575
MM-361814HBC	36	17.5	14.5	34	7.1	\$ 606
MM-121816HBC	12	17.5	16	26	2.8	\$ 368
MM-151816HBC	15	17.5	16	28	3.5	\$ 383
MM-181816HBC	18	17.5	16	29	4.1	\$ 395
MM-211816HBC	21	17.5	16	32	4.7	\$ 424
MM-241816HBC	24	17.5	16	35	5.3	\$ 447
MM-271816HBC	27	17.5	16	36	5.9	\$ 514
MM-301816HBC	30	17.5	16	32	6.5	\$ 582
MM-331816HBC	33	17.5	16	41	7.1	\$ 618
MM-361816HBC	36	17.5	16	36	7.7	\$ 654
MM-121824HBC	12	17.5	24	31	4.1	\$ 422
MM-151824HBC	15	17.5	24	33	5.0	\$ 438
MM-181824HBC	18	17.5	24	34	5.9	\$ 451
MM-211824HBC	21	17.5	24	37	6.7	\$ 481
MM-241824HBC	24	17.5	24	40	7.6	\$ 505
MM-271824HBC	27	17.5	24	42	8.5	\$ 562
MM-301824HBC	30	17.5	24	44	9.4	\$ 617
MM-331824HBC	33	17.5	24	46	10.3	\$ 628
MM-361824HBC	36	17.5	24	48	11.1	\$ 639

**OPTIONS**

Exterior Chassis Finish	Shelf
TFL Woodgrain Laminate <i>Quartered</i> QE2 DS2 PC2 EN2 CO2 ST2 NW2 <i>Flat Cut</i> LC2 KD2 MH2 MC2 VM2 LM2 BU2 BE2 QR2 <i>Textured Laminate</i> <i>(10% upcharge)</i> NG2 NH2 TFL Solid Color Laminate BL2 GR2 SG2 FW2 RW2	X9 None Standard B3N Fixed \$86 R8 Adjustable \$86

**HOW TO ORDER**

SPECIFY: Exterior chassis finish | shelf. See page 11 for a complete offering of finishes.

**MODEL NUMBER**

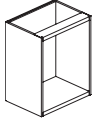
MM-121814HBC

Exterior Chassis Finish	Shelf
NW2	R8

**WALL HANGING BASE CABINETS SINGLE (CONT.)**

- May be installed alone or with multiple base cabinets
- Work Surfaces (sold separately) are attached to top of cabinet
- All Mile Marker cabinetry is required to be anchored to a wall or floor. Installation hardware is not included with cabinets.

**WALL HANGING BASE CABINET OPEN**



**17.5" DEEP MODELS**

model	w	d	h	wt	cu ft	List
MM-121829HBC	12	17.5	29	20	4.9	\$ 476
MM-151829HBC	15	17.5	29	28	5.9	\$ 491
MM-181829HBC	18	17.5	29	22	7.0	\$ 507
MM-211829HBC	21	17.5	29	24	8.0	\$ 538
MM-241829HBC	24	17.5	29	26	9.1	\$ 562
MM-271829HBC	27	17.5	29	44	10.1	\$ 607
MM-301829HBC	30	17.5	29	30	11.2	\$ 652
MM-331829HBC	33	17.5	29	48	12.2	\$ 666
MM-361829HBC	36	17.5	29	34	13.3	\$ 624
MM-121832HBC	12	17.5	32	21	5.4	\$ 488
MM-151832HBC	15	17.5	32	29	6.5	\$ 502
MM-181832HBC	18	17.5	32	23	7.7	\$ 512
MM-211832HBC	21	17.5	32	25	8.8	\$ 538
MM-241832HBC	24	17.5	32	27	10.0	\$ 562
MM-271832HBC	27	17.5	32	45	11.1	\$ 611
MM-301832HBC	30	17.5	32	32	12.3	\$ 660
MM-331832HBC	33	17.5	32	50	13.4	\$ 679
MM-361832HBC	36	17.5	32	36	14.6	\$ 700

**OPTIONS**

Exterior Chassis Finish	Shelf
TFL Woodgrain Laminate <i>Quartered</i> QE2 DS2 PC2 EN2 CO2 ST2 NW2 <i>Flat Cut</i> LC2 KD2 MH2 MC2 VM2 LM2 BU2 BE2 QR2 <i>Textured Laminate</i> <i>(10% upcharge)</i> NG2 NH2 TFL Solid Color Laminate BL2 GR2 SG2 FW2 RW2	X9 None Standard B3N Fixed \$86 R8 Adjustable \$86

**HOW TO ORDER**

SPECIFY: Exterior chassis finish | shelf. See page 11 for a complete offering of finishes.

**MODEL NUMBER**

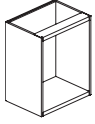
MM-121829HBC

Exterior Chassis Finish	Shelf
NW2	R8

**WALL HANGING BASE CABINETS SINGLE (CONT.)**

- May be installed alone or with multiple base cabinets
- Work Surfaces (sold separately) are attached to top of cabinet
- All Mile Marker cabinetry is required to be anchored to a wall or floor. Installation hardware is not included with cabinets.

**WALL HANGING BASE CABINET OPEN**



**23.5" DEEP MODELS**

model	w	d	h	wt	cu ft	List
MM-122414HBC	12	23.5	14.5	25	3.4	\$ 460
MM-152414HBC	15	23.5	14.5	27	4.1	\$ 469
MM-182414HBC	18	23.5	14.5	28	4.9	\$ 476
MM-212414HBC	21	23.5	14.5	31	5.6	\$ 503
MM-242414HBC	24	23.5	14.5	34	6.3	\$ 526
MM-272414HBC	27	23.5	14.5	41	7.1	\$ 562
MM-302414HBC	30	23.5	14.5	35	7.8	\$ 598
MM-332414HBC	33	23.5	14.5	45	8.5	\$ 632
MM-362414HBC	36	23.5	14.5	37	9.3	\$ 664
MM-122416HBC	12	23.5	16	26	3.7	\$ 485
MM-152416HBC	15	23.5	16	28	4.5	\$ 491
MM-182416HBC	18	23.5	16	29	5.3	\$ 500
MM-212416HBC	21	23.5	16	32	6.1	\$ 527
MM-242416HBC	24	23.5	16	35	6.9	\$ 551
MM-272416HBC	27	23.5	16	42	7.7	\$ 590
MM-302416HBC	30	23.5	16	37	8.5	\$ 628
MM-332416HBC	33	23.5	16	46	9.3	\$ 667
MM-362416HBC	36	23.5	16	39	10.1	\$ 705
MM-122424HBC	12	23.5	24	36	5.4	\$ 507
MM-152424HBC	15	23.5	24	38	6.5	\$ 515
MM-182424HBC	18	23.5	24	39	7.7	\$ 522
MM-212424HBC	21	23.5	24	42	8.8	\$ 552
MM-242424HBC	24	23.5	24	45	10.0	\$ 574
MM-272424HBC	27	23.5	24	47	11.1	\$ 600
MM-302424HBC	30	23.5	24	49	12.3	\$ 625
MM-332424HBC	33	23.5	24	51	13.4	\$ 653
MM-362424HBC	36	23.5	24	53	14.6	\$ 680

**OPTIONS**

Exterior Chassis Finish	Shelf
TFL Woodgrain Laminate <i>Quartered</i> QE2 DS2 PC2 EN2 CO2 ST2 NW2 <i>Flat Cut</i> LC2 KD2 MH2 MC2 VM2 LM2 BU2 BE2 QR2 <i>Textured Laminate</i> <i>(10% upcharge)</i> NG2 NH2 TFL Solid Color Laminate BL2 GR2 SG2 FW2 RW2	X9 None Standard B3N Fixed \$86 R8 Adjustable \$86

**HOW TO ORDER**

SPECIFY: Exterior chassis finish | shelf. See page 11 for a complete offering of finishes.

**MODEL NUMBER**

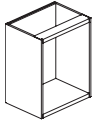
MM-122414HBC

Exterior Chassis Finish	Shelf
NW2	R8

**WALL HANGING BASE CABINETS SINGLE (CONT.)**

- May be installed alone or with multiple base cabinets
- Work Surfaces (sold separately) are attached to top of cabinet
- All Mile Marker cabinetry is required to be anchored to a wall or floor. Installation hardware is not included with cabinets.

**WALL HANGING BASE CABINET OPEN**



**23.5" DEEP MODELS**

model	w	d	h	wt	cu ft	List
MM-122429HBC	12	23.5	29	25	6.4	\$ 529
MM-152429HBC	15	23.5	29	28	7.8	\$ 538
MM-182429HBC	18	23.5	29	28	9.1	\$ 545
MM-212429HBC	21	23.5	29	31	10.5	\$ 576
MM-242429HBC	24	23.5	29	34	11.9	\$ 597
MM-272429HBC	27	23.5	29	49	13.3	\$ 613
MM-302429HBC	30	23.5	29	35	14.6	\$ 622
MM-332429HBC	33	23.5	29	53	16.0	\$ 667
MM-362429HBC	36	23.5	29	37	17.4	\$ 656
MM-122432HBC	12	23.5	32	26	7.0	\$ 542
MM-152432HBC	15	23.5	32	29	8.5	\$ 551
MM-182432HBC	18	23.5	32	29	10.0	\$ 558
MM-212432HBC	21	23.5	32	32	11.5	\$ 597
MM-242432HBC	24	23.5	32	35	13.0	\$ 609
MM-272432HBC	27	23.5	32	50	14.6	\$ 652
MM-302432HBC	30	23.5	32	37	16.1	\$ 695
MM-332432HBC	33	23.5	32	55	17.6	\$ 724
MM-362432HBC	36	23.5	32	39	19.1	\$ 752

**OPTIONS**

Exterior Chassis Finish	Shelf
TFL Woodgrain Laminate <i>Quartered</i> QE2 DS2 PC2 EN2 CO2 ST2 NW2 <i>Flat Cut</i> LC2 KD2 MH2 MC2 VM2 LM2 BU2 BE2 QR2 <i>Textured Laminate</i> <i>(10% upcharge)</i> NG2 NH2 TFL Solid Color Laminate BL2 GR2 SG2 FW2 RW2	X9 None <b>Standard</b> B3N Fixed <b>\$86</b> R8 Adjustable <b>\$86</b>

**HOW TO ORDER**

SPECIFY: Exterior chassis finish | shelf. See page 11 for a complete offering of finishes.

**MODEL NUMBER**

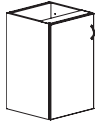
MM-122429HBC

Exterior Chassis Finish	Shelf
NW2	R8

**WALL HANGING BASE CABINETS SINGLE**

- 1 full hinged door
- May be installed alone or with multiple base cabinets
- Work Surfaces (sold separately) are attached to top of cabinet
- All Mile Marker cabinetry is required to be anchored to a wall or floor. Installation hardware is not included with cabinets.

**WALL HANGING BASE CABINET WITH DOOR**



**14" DEEP MODELS**

model	w	d	h	wt	cu ft	List
MM-121414HBCD	12	14	14.5	22	2.1	\$ 388
MM-151414HBCD	15	14	14.5	23	2.6	\$ 407
MM-181414HBCD	18	14	14.5	24	3.1	\$ 425
MM-211414HBCD	21	14	14.5	26	3.5	\$ 456
MM-241414HBCD	24	14	14.5	28	4.0	\$ 508
MM-121416HBCD	12	14	16	23	2.3	\$ 421
MM-151416HBCD	15	14	16	24	2.8	\$ 442
MM-181416HBCD	18	14	16	25	3.3	\$ 463
MM-211416HBCD	21	14	16	27	3.8	\$ 491
MM-241416HBCD	24	14	16	29	4.3	\$ 565
MM-121424HBCD	12	14	24	27	3.4	\$ 468
MM-151424HBCD	15	14	24	28	4.1	\$ 486
MM-181424HBCD	18	14	24	29	4.8	\$ 504
MM-211424HBCD	21	14	24	31	5.5	\$ 535
MM-241424HBCD	24	14	24	33	6.3	\$ 583
MM-121429HBCD	12	14	29	22	4.0	\$ 540
MM-151429HBCD	15	14	29	23	4.9	\$ 555
MM-181429HBCD	18	14	29	24	5.7	\$ 569
MM-211429HBCD	21	14	29	26	6.6	\$ 603
MM-241429HBCD	24	14	29	28	7.5	\$ 626
MM-121432HBCD	12	14	32	23	4.4	\$ 632
MM-151432HBCD	15	14	32	24	5.4	\$ 642
MM-181432HBCD	18	14	32	25	6.3	\$ 654
MM-211432HBCD	21	14	32	27	7.2	\$ 656
MM-241432HBCD	24	14	32	29	8.2	\$ 681

**OPTIONS**

Exterior Chassis Finish	Door Finish	Door Edge Finish	Hinge Location	Hinge	Waste Ring	Shelf	Lock	Pull	Pull/Waste Ring Finish
TFL Woodgrain Laminate <i>Quartered</i> QE2 DS2 PC2 EN2 CO2 ST2 NW2 <i>Flat Cut</i> LC2 KD2 MH2 MC2 VM2 LM2 BU2 BE2 QR2 <i>Textured Laminate (10% upcharge)</i> NG2 NH2  TFL Solid Color Laminate BL2 GR2 SG2 FW2 RW2	TFL Woodgrain Laminate <i>Quartered</i> QE2 DS2 PC2 EN2 CO2 ST2 NW2 <i>Flat Cut</i> LC2 KD2 MH2 MC2 VM2 LM2 BU2 BE2 QR2 <i>Textured Laminate (10% upcharge)</i> NG2 NH2  TFL Solid Color Laminate BL2 GR2 SG2 FW2 RW2	TFL Woodgrain Laminate <i>Quartered</i> QE2 DS2 PC2 EN2 CO2 ST2 NW2 <i>Flat Cut</i> LC2 KD2 MH2 MC2 VM2 LM2 BU2 BE2 QR2 <i>Textured Laminate (10% upcharge)</i> NG2 NH2  TFL Solid Color Laminate BL2 GR2 SG2 FW2 RW2	B3K Left B3L Right	B3G Euro Soft Close Standard  B3J 5 Knuckle  B3H Euro Knuckle 	X9 None Waste Ring (24" tall or taller models only) \$98  NOTE: Waste ring is not available in Satin Nickel (SNCK).	X9 None Standard \$86 B3N Fixed \$86 R8 Adjustable \$86	NL No Lock - Standard LCK1 Requires 1 Lock Core \$77  B3E Keyless \$338   NOTE: LCK Locks ordered separately on page 5.	AS No Pull Awe  Crest  Era  Forte  Grip  B3D, SNCK Recessed (Satin Nickel Only) 	BWT Bone White CHLK Chalk MSL Luster Grey BKO Onyx SNCK Satin Nickel  NOTE: Waste ring is not available in Satin Nickel (SNCK). If SNCK is selected for Pull, Waste Ring will default to Luster Grey (MSL).

**HOW TO ORDER**

SPECIFY: Exterior chassis finish | door finish | door edge finish | hinge location | hinge | waste ring | shelf | lock | pull | pull/waste ring finish. See page 11 for a complete offering of finishes.

**MODEL NUMBER**

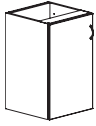
MM-121414HBCD

Exterior Chassis Finish	Door Finish	Door Edge Finish	Hinge Location	Hinge	Waste Ring	Shelf	Lock	Pull	Pull/Waste Ring Finish
NW2	NW2	NW2	B3K	B3G	X9	R8	LCK1	Awe	MSL

**WALL HANGING BASE CABINETS SINGLE (CONT.)**

- 1 full hinged door
- May be installed alone or with multiple base cabinets
- Work Surfaces (sold separately) are attached to top of cabinet
- All Mile Marker cabinetry is required to be anchored to a wall or floor. Installation hardware is not included with cabinets.

**WALL HANGING BASE CABINET WITH DOOR**



**18.25" DEEP MODELS**

model	w	d	h	wt	cu ft	List
MM-121814HBCD	12	18.25	14.5	22	2.7	\$ 449
MM-151814HBCD	15	18.25	14.5	29	3.3	\$ 466
MM-181814HBCD	18	18.25	14.5	24	3.9	\$ 483
MM-211814HBCD	21	18.25	14.5	26	4.4	\$ 517
MM-241814HBCD	24	18.25	14.5	28	5.0	\$ 539
MM-121816HBCD	12	18.25	16	23	3.0	\$ 478
MM-151816HBCD	15	18.25	16	30	3.6	\$ 495
MM-181816HBCD	18	18.25	16	25	4.2	\$ 512
MM-211816HBCD	21	18.25	16	27	4.9	\$ 548
MM-241816HBCD	24	18.25	16	29	5.5	\$ 570
MM-121824HBCD	12	18.25	24	30	4.3	\$ 537
MM-151824HBCD	15	18.25	24	31	5.2	\$ 555
MM-181824HBCD	18	18.25	24	32	6.1	\$ 573
MM-211824HBCD	21	18.25	24	34	7.0	\$ 612
MM-241824HBCD	24	18.25	24	36	7.9	\$ 634
MM-121829HBCD	12	18.25	29	22	5.1	\$ 621
MM-151829HBCD	15	18.25	29	30	6.2	\$ 641
MM-181829HBCD	18	18.25	29	24	7.3	\$ 661
MM-211829HBCD	21	18.25	29	26	8.4	\$ 700
MM-241829HBCD	24	18.25	29	28	9.4	\$ 723
MM-121832HBCD	12	18.25	32	23	5.6	\$ 647
MM-151832HBCD	15	18.25	32	31	6.8	\$ 670
MM-181832HBCD	18	18.25	32	25	8.0	\$ 692
MM-211832HBCD	21	18.25	32	27	9.2	\$ 731
MM-241832HBCD	24	18.25	32	29	10.4	\$ 753

**OPTIONS**

Exterior Chassis Finish	Door Finish	Door Edge Finish	Hinge Location	Hinge	Waste Ring	Shelf	Lock	Pull	Pull/Waste Ring Finish
TFL Woodgrain Laminate <i>Quartered</i> QE2 DS2 PC2 EN2 CO2 ST2 NW2 <i>Flat Cut</i> LC2 KD2 MH2 MC2 VM2 LM2 BU2 BE2 QR2 <i>Textured Laminate (10% upcharge)</i> NG2 NH2  TFL Solid Color Laminate BL2 GR2 SG2 FW2 RW2	TFL Woodgrain Laminate <i>Quartered</i> QE2 DS2 PC2 EN2 CO2 ST2 NW2 <i>Flat Cut</i> LC2 KD2 MH2 MC2 VM2 LM2 BU2 BE2 QR2 <i>Textured Laminate (10% upcharge)</i> NG2 NH2  TFL Solid Color Laminate BL2 GR2 SG2 FW2 RW2	TFL Woodgrain Laminate <i>Quartered</i> QE2 DS2 PC2 EN2 CO2 ST2 NW2 <i>Flat Cut</i> LC2 KD2 MH2 MC2 VM2 LM2 BU2 BE2 QR2 <i>Textured Laminate (10% upcharge)</i> NG2 NH2  TFL Solid Color Laminate BL2 GR2 SG2 FW2 RW2	B3K Left B3L Right	B3G Euro Soft Close Standard  B3J 5 Knuckle  B3H Euro Knuckle 	X9 None WGRI Waste Ring (24" tall or taller models only) \$98  NOTE: Waste ring is not available in Satin Nickel (SNCK).	X9 None Standard B3N Fixed \$86 R8 Adjustable \$86	NL No Lock - Standard LCK1 Requires 1 Lock Core \$77  B3E Keyless \$568   NOTE: LCK Locks ordered separately on page 5.	AS No Pull Awe  Crest  Era  Forte  Grip  B3D, SNCK Recessed (Satin Nickel Only) 	BWT Bone White CHLK Chalk MSL Luster Grey BKO Onyx SNCK Satin Nickel  NOTE: Waste ring is not available in Satin Nickel (SNCK). If SNCK is selected for Pull, Waste Ring will default to Luster Grey (MSL).

**HOW TO ORDER**

SPECIFY: Exterior chassis finish | door finish | door edge finish | hinge location | hinge | waste ring | shelf | lock | pull | pull/waste ring finish. See page 11 for a complete offering of finishes.

**MODEL NUMBER**

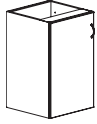
MM-121814HBCD

Exterior Chassis Finish	Door Finish	Door Edge Finish	Hinge Location	Hinge	Waste Ring	Shelf	Lock	Pull	Pull/Waste Ring Finish
NW2	NW2	NW2	B3K	B3G	X9	R8	LCK1	Awe	MSL

**WALL HANGING BASE CABINETS SINGLE (CONT.)**

- 1 full hinged door
- May be installed alone or with multiple base cabinets
- Work Surfaces (sold separately) are attached to top of cabinet
- All Mile Marker cabinetry is required to be anchored to a wall or floor. Installation hardware is not included with cabinets.

**WALL HANGING BASE CABINET WITH DOOR**



**24.25" DEEP MODELS**

model	w	d	h	wt	cu ft	List
MM-122414HB	12	24.25	14.5	28	3.5	\$ 568
MM-152414HB	15	24.25	14.5	29	4.3	\$ 589
MM-182414HB	18	24.25	14.5	30	5.0	\$ 607
MM-212414HB	21	24.25	14.5	32	5.8	\$ 641
MM-242414HB	24	24.25	14.5	34	6.5	\$ 665
MM-122416HB	12	24.25	16	31	3.8	\$ 598
MM-152416HB	15	24.25	16	32	4.6	\$ 617
MM-182416HB	18	24.25	16	33	5.5	\$ 637
MM-212416HB	21	24.25	16	35	6.3	\$ 672
MM-242416HB	24	24.25	16	37	7.1	\$ 695
MM-122424HB	12	24.25	24	33	5.5	\$ 615
MM-152424HB	15	24.25	24	34	6.7	\$ 637
MM-182424HB	18	24.25	24	35	7.9	\$ 657
MM-212424HB	21	24.25	24	37	9.1	\$ 696
MM-242424HB	24	24.25	24	39	10.3	\$ 717
MM-122429HB	12	24.25	29	28	6.6	\$ 659
MM-152429HB	15	24.25	29	29	8.0	\$ 681
MM-182429HB	18	24.25	29	30	9.4	\$ 702
MM-212429HB	21	24.25	29	32	10.8	\$ 744
MM-242429HB	24	24.25	29	34	12.2	\$ 762
MM-122432HB	12	24.25	32	31	7.2	\$ 714
MM-152432HB	15	24.25	32	32	8.8	\$ 735
MM-182432HB	18	24.25	32	33	10.3	\$ 757
MM-212432HB	21	24.25	32	35	11.9	\$ 797
MM-242432HB	24	24.25	32	37	13.4	\$ 820

**OPTIONS**

Exterior Chassis Finish	Door Finish	Door Edge Finish	Hinge Location	Hinge	Waste Ring	Shelf	Lock	Pull	Pull/Waste Ring Finish
TFL Woodgrain Laminate <i>Quartered</i> QE2 DS2 PC2 EN2 CO2 ST2 NW2 <i>Flat Cut</i> LC2 KD2 MH2 MC2 VM2 LM2 BU2 BE2 QR2 <i>Textured Laminate (10% upcharge)</i> NG2 NH2 TFL Solid Color Laminate BL2 GR2 SG2 FW2 RW2	TFL Woodgrain Laminate <i>Quartered</i> QE2 DS2 PC2 EN2 CO2 ST2 NW2 <i>Flat Cut</i> LC2 KD2 MH2 MC2 VM2 LM2 BU2 BE2 QR2 <i>Textured Laminate (10% upcharge)</i> NG2 NH2 TFL Solid Color Laminate BL2 GR2 SG2 FW2 RW2	TFL Woodgrain Laminate <i>Quartered</i> QE2 DS2 PC2 EN2 CO2 ST2 NW2 <i>Flat Cut</i> LC2 KD2 MH2 MC2 VM2 LM2 BU2 BE2 QR2 <i>Textured Laminate (10% upcharge)</i> NG2 NH2 TFL Solid Color Laminate BL2 GR2 SG2 FW2 RW2	B3K Left B3L Right	B3G Euro Soft Close Standard  B3J 5 Knuckle  B3H Euro Knuckle 	X9 None WGRI Waste Ring (24" tall or taller models only) \$98  NOTE: Waste ring is not available in SNCK.	X9 None Standard \$86 B3N Fixed \$86 R8 Adjustable \$86	NL No Lock - Standard LCK1 Requires 1 Lock Core \$77  B3E Keyless \$338   NOTE: LCK Locks ordered separately on page 5.	AS No Pull  Awe  Crest  Era  Forte  Grip  B3D, SNCK Recessed (Satin Nickel Only) 	BWT Bone White CHLK Chalk MSL Luster Grey BKO Onyx SNCK Satin Nickel  NOTE: Waste ring is not available in Satin Nickel (SNCK). If SNCK is selected for Pull, Waste Ring will default to Luster Grey (MSL).

**HOW TO ORDER**

SPECIFY: Exterior chassis finish | door finish | door edge finish | hinge location | hinge | waste ring | shelf | lock | pull | pull/waste ring finish. See page 11 for a complete offering of finishes.

**MODEL NUMBER**

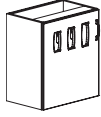
MM-122414HB

Exterior Chassis Finish	Door Finish	Door Edge Finish	Hinge Location	Hinge	Waste Ring	Shelf	Lock	Pull	Pull/Waste Ring Finish
NW2	NW2	NW2	B3K	B3G	X9	R8	LCK1	Awe	MSL

**WALL HANGING BASE CABINETS SINGLE**

- 1 full hinged door with glove box openings
- May be installed alone or with multiple base cabinets
- Work Surfaces (sold separately) are attached to top of cabinet

**WALL HANGING BASE CABINET WITH DOOR GLOVE BOX**



**14" DEEP MODELS**

model	w	d	h	wt	cu ft	List
MM-211424HBCDGB	21	14	24	31	5.5	\$ 589
MM-241424HBCDGB	24	14	24	33	6.3	\$ 641
MM-211429HBCDGB	21	14	29	33	6.6	\$ 649
MM-241429HBCDGB	24	14	29	35	7.5	\$ 674
MM-211432HBCDGB	21	14	32	34	7.2	\$ 707
MM-241432HBCDGB	24	14	32	36	8.2	\$ 736

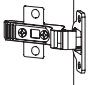

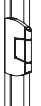







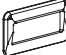
**18.25" DEEP MODELS**

model	w	d	h	wt	cu ft	List
MM-211824HBCDGB	21	18.25	24	34	7.0	\$ 673
MM-241824HBCDGB	24	18.25	24	36	7.9	\$ 697
MM-211829HBCDGB	21	18.25	29	36	8.4	\$ 756
MM-241829HBCDGB	24	18.25	29	38	9.4	\$ 781
MM-211832HBCDGB	21	18.25	32	37	9.2	\$ 790
MM-241832HBCDGB	24	18.25	32	39	10.4	\$ 814

**24.25" DEEP MODELS**

model	w	d	h	wt	cu ft	List
MM-212424HBCDGB	21	24.25	24	37	9.1	\$ 766
MM-242424HBCDGB	24	24.25	24	39	10.3	\$ 788
MM-212429HBCDGB	21	24.25	29	39	10.8	\$ 804
MM-242429HBCDGB	24	24.25	29	41	12.2	\$ 825
MM-212432HBCDGB	21	24.25	32	40	11.9	\$ 862
MM-242432HBCDGB	24	24.25	32	42	13.4	\$ 887

**OPTIONS**

Exterior Chassis Finish	Door Finish	Door Edge Finish	Hinge Location	Hinge	Shelf	Lock	Pull	Pull Finish
TFL Woodgrain Laminate <i>Quartered</i> QE2 DS2 PC2 EN2 CO2 ST2 NW2 <i>Flat Cut</i> LC2 KD2 MH2 MC2 VM2 LM2 BU2 BE2 QR2 <i>Textured Laminate (10% upcharge)</i> NG2 NH2 TFL Solid Color Laminate BL2 GR2 SG2 FW2 RW2	3DL Woodgrain Laminate <i>Quartered</i> QE3 DS3 ST3 EN3 CO3 NW3 PC3 <i>Flat Cut</i> LC3 KD3 MH3 MC3 VM3 LM3 BU3 BE3 <i>Textured Laminate (10% upcharge)</i> NG3 NH3 TFL Solid Color Laminate BL3 GR3 FW3 RW3	TFL Woodgrain Laminate <i>Quartered</i> QE2 DS2 PC2 EN2 CO2 ST2 NW2 <i>Flat Cut</i> LC2 KD2 MH2 MC2 VM2 LM2 BU2 BE2 QR2 <i>Textured Laminate (10% upcharge)</i> NG2 NH2 TFL Solid Color Laminate BL2 GR2 SG2 FW2 RW2	B3K Left B3L Right	B3G Euro Soft Close Standard  B3J 5 Knuckle  B3H Euro Knuckle \$44 	X9 None Standard B3N Fixed \$86 R8 Adjustable \$86	NL No Lock - Standard LCK1 Requires 1 Lock Core \$77  B3E Keyless \$338  NOTE: LCK Locks ordered separately on page 5.	AS No Pull Awe  Crest  Era  Forte  Grip  B3D, SNCK Recessed (Satin Nickel Only) 	BWT Bone White CHLK Chalk MSL Luster Grey BKO Onyx SNCK Satin Nickel

**HOW TO ORDER**

SPECIFY: Exterior chassis finish | door finish | door edge finish | hinge location | hinge | shelf | lock | pull | pull finish. See page 11 for a complete offering of finishes.

**MODEL NUMBER**

MM-211424HBCDGB

Exterior Chassis Finish	Door Finish	Door Edge Finish	Hinge Location	Hinge	Shelf	Lock	Pull	Pull Finish
NW2	NW3	NW2	B3K	B3G	R8	LCK1	Awe	MSL



**WALL HANGING BASE CABINETS SINGLE**

- 1 drawer
- 1 full hinged door
- Lock Options for Top Drawer only
- May be installed alone or with multiple base cabinets
- Work Surfaces (sold separately) are attached to top of cabinet
- All Mile Marker cabinetry is required to be anchored to a wall or floor. Installation hardware is not included with cabinets.

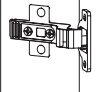


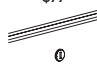








**WALL HANGING BASE CABINET WITH DOOR/DRAWER**



**14" DEEP MODELS**

model	w	d	h	wt	cu ft	List
MM-121424HBCDD	12	14	24	45	3.4	\$ 634
MM-151424HBCDD	15	14	24	48	4.1	\$ 646
MM-181424HBCDD	18	14	24	50	4.8	\$ 657
MM-211424HBCDD	21	14	24	55	5.5	\$ 689
MM-241424HBCDD	24	14	24	60	6.3	\$ 713
MM-121429HBCDD	12	14	29	50	4.0	\$ 686
MM-151429HBCDD	15	14	29	53	4.9	\$ 698
MM-181429HBCDD	18	14	29	55	5.7	\$ 709
MM-211429HBCDD	21	14	29	60	6.6	\$ 742
MM-241429HBCDD	24	14	29	65	7.5	\$ 767
MM-121432HBCDD	12	14	32	55	4.4	\$ 775
MM-151432HBCDD	15	14	32	58	5.4	\$ 785
MM-181432HBCDD	18	14	32	60	6.3	\$ 794
MM-211432HBCDD	21	14	32	65	7.2	\$ 795
MM-241432HBCDD	24	14	32	70	8.2	\$ 826

**OPTIONS**

Exterior Chassis Finish	Door/Drawer Finish	Door/Drawer Edge Finish	Hinge Location	Hinge	Shelf	Lock	Pull	Pull Finish	Removable Drawer Liners
TFL Woodgrain Laminate <i>Quartered</i> QE2 DS2 PC2 EN2 CO2 ST2 NW2 <i>Flat Cut</i> LC2 KD2 MH2 MC2 VM2 LM2 BU2 BE2 QR2 <i>Textured Laminate (10% upcharge)</i> NG2 NH2  TFL Solid Color Laminate BL2 GR2 SG2 FW2 RW2	TFL Woodgrain Laminate <i>Quartered</i> QE2 DS2 PC2 EN2 CO2 ST2 NW2 <i>Flat Cut</i> LC2 KD2 MH2 MC2 VM2 LM2 BU2 BE2 QR2 <i>Textured Laminate (10% upcharge)</i> NG2 NH2  TFL Solid Color Laminate BL2 GR2 SG2 FW2 RW2	TFL Woodgrain Laminate <i>Quartered</i> QE2 DS2 PC2 EN2 CO2 ST2 NW2 <i>Flat Cut</i> LC2 KD2 MH2 MC2 VM2 LM2 BU2 BE2 QR2 <i>Textured Laminate (10% upcharge)</i> NG2 NH2  TFL Solid Color Laminate BL2 GR2 SG2 FW2 RW2	B3K Left B3L Right	B3G Euro Soft Close Standard  B3J 5 Knuckle  B3H Euro Knuckle \$44 	X9 None Standard B3N Fixed \$86 R8 Adjustable \$86	NL No Lock - Standard LCK1 Requires 1 Lock Core \$77  B3E Keyless \$338   NOTE: LCK Locks ordered separately on page 5.	AS No Pull  Awe  Crest  Era  Forte  Grip  B3D, SNCK Recessed (Satin Nickel Only) 	BWT Bone White CHLK Chalk MSL Luster Grey BKO Onyx SNCK Satin Nickel	Q3 None Q4 One Liner \$80

**HOW TO ORDER**

SPECIFY: Exterior chassis finish | door/drawer finish | door/drawer edge finish | hinge location | hinge | shelf | lock | pull | pull finish | removable drawer liners. See page 11 for a complete offering of finishes.

**MODEL NUMBER**

MM-121424HBCDD

Exterior Chassis Finish	Door/Drawer Finish	Door/Drawer Edge Finish	Hinge Location	Hinge	Shelf	Lock	Pull	Pull Finish	Removable Drawer Liners
NW2	NW2	NW2	B3K	B3G	R8	LCK1	Awe	MSL	Q4

**WALL HANGING BASE CABINETS SINGLE (CONT.)**

- 1 drawer
- 1 full hinged door
- Lock Options for Top Drawer only
- May be installed alone or with multiple base cabinets
- Work Surfaces (sold separately) are attached to top of cabinet
- All Mile Marker cabinetry is required to be anchored to a wall or floor. Installation hardware is not included with cabinets.

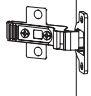
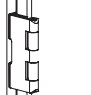
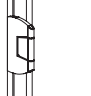
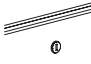








**WALL HANGING BASE CABINET WITH DOOR/DRAWER**



**18.25" DEEP MODELS**

model	w	d	h	wt	cu ft	List
MM-121824HBCDD	12	18.25	24	55	4.3	\$ 710
MM-151824HBCDD	15	18.25	24	58	5.2	\$ 730
MM-181824HBCDD	18	18.25	24	60	6.1	\$ 752
MM-211824HBCDD	21	18.25	24	65	7.0	\$ 790
MM-241824HBCDD	24	18.25	24	70	7.9	\$ 811
MM-121829HBCDD	12	18.25	29	60	5.1	\$ 764
MM-151829HBCDD	15	18.25	29	63	6.2	\$ 785
MM-181829HBCDD	18	18.25	29	65	7.3	\$ 806
MM-211829HBCDD	21	18.25	29	70	8.4	\$ 848
MM-241829HBCDD	24	18.25	29	75	9.4	\$ 867
MM-121832HBCDD	12	18.25	32	65	5.6	\$ 789
MM-151832HBCDD	15	18.25	32	68	6.8	\$ 811
MM-181832HBCDD	18	18.25	32	70	8.0	\$ 831
MM-211832HBCDD	21	18.25	32	75	9.2	\$ 873
MM-241832HBCDD	24	18.25	32	80	10.4	\$ 898

**OPTIONS**

Exterior Chassis Finish	Door/Drawer Finish	Door/Drawer Edge Finish	Hinge Location	Hinge	Shelf	Lock	Pull	Pull Finish	Removable Drawer Liners
TFL Woodgrain Laminate <i>Quartered</i> QE2 DS2 PC2 EN2 CO2 ST2 NW2 <i>Flat Cut</i> LC2 KD2 MH2 MC2 VM2 LM2 BU2 BE2 QR2 <i>Textured Laminate (10% upcharge)</i> NG2 NH2  TFL Solid Color Laminate BL2 GR2 SG2 FW2 RW2	TFL Woodgrain Laminate <i>Quartered</i> QE2 DS2 PC2 EN2 CO2 ST2 NW2 <i>Flat Cut</i> LC2 KD2 MH2 MC2 VM2 LM2 BU2 BE2 QR2 <i>Textured Laminate (10% upcharge)</i> NG2 NH2  TFL Solid Color Laminate BL2 GR2 SG2 FW2 RW2	TFL Woodgrain Laminate <i>Quartered</i> QE2 DS2 PC2 EN2 CO2 ST2 NW2 <i>Flat Cut</i> LC2 KD2 MH2 MC2 VM2 LM2 BU2 BE2 QR2 <i>Textured Laminate (10% upcharge)</i> NG2 NH2  TFL Solid Color Laminate BL2 GR2 SG2 FW2 RW2	B3K Left B3L Right	B3G Euro Soft Close Standard  B3J 5 Knuckle  B3H Euro Knuckle \$44 	X9 None Standard B3N Fixed \$86 R8 Adjustable \$86	NL No Lock - Standard LCK1 Requires 1 Lock Core \$77  B3E Keyless \$338   NOTE: LCK Locks ordered separately on page 5.	AS No Pull  Awe  Crest  Era  Forte  Grip   B3D, SNCK Recessed (Satin Nickel Only) 	BWT Bone White CHLK Chalk MSL Luster Grey BKO Onyx SNCK Satin Nickel	Q3 None Q4 One Liner \$80

**HOW TO ORDER**

SPECIFY: Exterior chassis finish | door/drawer finish | door/drawer edge finish | hinge location | shelf | lock | pull | pull finish | removable drawer liners. See page 11 for a complete offering of finishes.

**MODEL NUMBER**

MM-121824HBCDD

Exterior Chassis Finish	Door/Drawer Finish	Door/Drawer Edge Finish	Hinge Location	Hinge	Shelf	Lock	Pull	Pull Finish	Removable Drawer Liners
NW2	NW2	NW2	B3K	B3G	R8	LCK1	Awe	MSL	Q4

**WALL HANGING BASE CABINETS SINGLE (CONT.)**

- 1 drawer
- 1 full hinged door
- Lock Options for Top Drawer only
- May be installed alone or with multiple base cabinets
- Work Surfaces (sold separately) are attached to top of cabinet
- All Mile Marker cabinetry is required to be anchored to a wall or floor. Installation hardware is not included with cabinets.

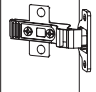


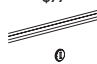








**WALL HANGING BASE CABINET WITH DOOR/DRAWER**



**24.25" DEEP MODELS**

model	w	d	h	wt	cu ft	List
MM-122424HBCDD	12	24.25	24	55	5.5	\$ 767
MM-152424HBCDD	15	24.25	24	58	6.7	\$ 795
MM-182424HBCDD	18	24.25	24	60	7.9	\$ 823
MM-212424HBCDD	21	24.25	24	65	9.1	\$ 861
MM-242424HBCDD	24	24.25	24	70	10.3	\$ 889
MM-122429HBCDD	12	24.25	29	60	6.6	\$ 823
MM-152429HBCDD	15	24.25	29	63	8.0	\$ 852
MM-182429HBCDD	18	24.25	29	65	9.4	\$ 880
MM-212429HBCDD	21	24.25	29	70	10.8	\$ 920
MM-242429HBCDD	24	24.25	29	75	12.2	\$ 948
MM-122432HBCDD	12	24.25	32	65	7.2	\$ 859
MM-152432HBCDD	15	24.25	32	68	8.8	\$ 882
MM-182432HBCDD	18	24.25	32	70	10.3	\$ 902
MM-212432HBCDD	21	24.25	32	75	11.9	\$ 940
MM-242432HBCDD	24	24.25	32	80	13.4	\$ 981

**OPTIONS**

Exterior Chassis Finish	Door/Drawer Finish	Door/Drawer Edge Finish	Hinge Location	Hinge	Shelf	Lock	Pull	Pull Finish	Removable Drawer Liners
TFL Woodgrain Laminate <i>Quartered</i> QE2 DS2 PC2 EN2 CO2 ST2 NW2 <i>Flat Cut</i> LC2 KD2 MH2 MC2 VM2 LM2 BU2 BE2 QR2 <i>Textured Laminate (10% upcharge)</i> NG2 NH2  TFL Solid Color Laminate BL2 GR2 SG2 FW2 RW2	TFL Woodgrain Laminate <i>Quartered</i> QE2 DS2 PC2 EN2 CO2 ST2 NW2 <i>Flat Cut</i> LC2 KD2 MH2 MC2 VM2 LM2 BU2 BE2 QR2 <i>Textured Laminate (10% upcharge)</i> NG2 NH2  TFL Solid Color Laminate BL2 GR2 SG2 FW2 RW2	TFL Woodgrain Laminate <i>Quartered</i> QE2 DS2 PC2 EN2 CO2 ST2 NW2 <i>Flat Cut</i> LC2 KD2 MH2 MC2 VM2 LM2 BU2 BE2 QR2 <i>Textured Laminate (10% upcharge)</i> NG2 NH2  TFL Solid Color Laminate BL2 GR2 SG2 FW2 RW2	B3K Left B3L Right	B3G Euro Soft Close Standard  B3J 5 Knuckle  B3H Euro Knuckle \$44 	X9 None Standard B3N Fixed \$86 R8 Adjustable \$86	NL No Lock - Standard LCK1 Requires 1 Lock Core \$77  B3E Keyless \$338   NOTE: LCK Locks ordered separately on page 5.	AS No Pull  Awe  Crest  Era  Forte  Grip  B3D, SNCK Recessed (Satin Nickel Only) 	BWT Bone White CHLK Chalk MSL Luster Grey BKO Onyx SNCK Satin Nickel	Q3 None Q4 One Liner \$80

**HOW TO ORDER**

SPECIFY: Exterior chassis finish | door/drawer finish | door/drawer edge finish | hinge location | hinge | shelf | lock | pull | pull finish | removable drawer liners. See page 11 for a complete offering of finishes.

**MODEL NUMBER**

MM-122424HBCDD

Exterior Chassis Finish	Door/Drawer Finish	Door/Drawer Edge Finish	Hinge Location	Hinge	Shelf	Lock	Pull	Pull Finish	Removable Drawer Liners
NW2	NW2	NW2	B3K	B3G	R8	LCK1	Awe	MSL	Q4

**WALL HANGING BASE CABINETS SINGLE**

• 1 drawer

• May be installed alone or with multiple base cabinets

• Work Surfaces (sold separately) are attached to top of cabinet

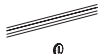
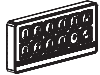





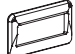
**WALL HANGING BASE CABINET OPEN WITH 1 DRAWER**



**18.25" DEEP MODELS**

model	w	d	h	wt	cu ft	List
MM-121824HBC1	12	18.25	24	35	4.3	\$ 833
MM-151824HBC1	15	18.25	24	38	5.2	\$ 856
MM-181824HBC1	18	18.25	24	40	6.1	\$ 878
MM-211824HBC1	21	18.25	24	45	7.0	\$ 906
MM-241824HBC1	24	18.25	24	50	7.9	\$ 922
MM-271824HBC1	27	18.25	24	55	8.8	\$ 972
MM-301824HBC1	30	18.25	24	60	9.8	\$ 1,021
MM-331824HBC1	33	18.25	24	63	10.7	\$ 1,044
MM-361824HBC1	36	18.25	24	65	11.6	\$ 1,068
MM-121829HBC1	12	18.25	29	40	5.1	\$ 859
MM-151829HBC1	15	18.25	29	43	6.2	\$ 882
MM-181829HBC1	18	18.25	29	45	7.3	\$ 904
MM-211829HBC1	21	18.25	29	50	8.4	\$ 933
MM-241829HBC1	24	18.25	29	55	9.4	\$ 950
MM-271829HBC1	27	18.25	29	60	10.5	\$ 1,002
MM-301829HBC1	30	18.25	29	65	11.6	\$ 1,052
MM-331829HBC1	33	18.25	29	68	12.7	\$ 1,076
MM-361829HBC1	36	18.25	29	70	13.8	\$ 1,100
MM-121832HBC1	12	18.25	32	45	5.6	\$ 884
MM-151832HBC1	15	18.25	32	48	6.8	\$ 904
MM-181832HBC1	18	18.25	32	50	8.0	\$ 923
MM-211832HBC1	21	18.25	32	55	9.2	\$ 965
MM-241832HBC1	24	18.25	32	60	10.4	\$ 988
MM-271832HBC1	27	18.25	32	65	11.6	\$ 1,051
MM-301832HBC1	30	18.25	32	70	12.8	\$ 1,115
MM-331832HBC1	33	18.25	32	73	13.9	\$ 1,162
MM-361832HBC1	36	18.25	32	75	15.1	\$ 1,208

**OPTIONS**

Exterior Chassis Finish	Drawer Finish	Drawer Edge Finish	Lock	Pull	Pull Finish	Removable Drawer Liners
TFL Woodgrain Laminate <i>Quartered</i> QE2 DS2 PC2 EN2 CO2 ST2 NW2 <i>Flat Cut</i> LC2 KD2 MH2 MC2 VM2 LM2 BU2 BE2 QR2 <i>Textured Laminate</i> (10% upcharge) NG2 NH2 TFL Solid Color Laminate BL2 GR2 SG2 FW2 RW2	TFL Woodgrain Laminate <i>Quartered</i> QE2 DS2 PC2 EN2 CO2 ST2 NW2 <i>Flat Cut</i> LC2 KD2 MH2 MC2 VM2 LM2 BU2 BE2 QR2 <i>Textured Laminate</i> (10% upcharge) NG2 NH2 TFL Solid Color Laminate BL2 GR2 SG2 FW2 RW2	TFL Woodgrain Laminate <i>Quartered</i> QE2 DS2 PC2 EN2 CO2 ST2 NW2 <i>Flat Cut</i> LC2 KD2 MH2 MC2 VM2 LM2 BU2 BE2 QR2 <i>Textured Laminate</i> (10% upcharge) NG2 NH2 TFL Solid Color Laminate BL2 GR2 SG2 FW2 RW2	NL No Lock - Standard LCK1 Requires 1 Lock Core \$77  B3E Keyless \$338  NOTE: LCK Locks ordered separately on page 5.	AS No Pull Awe  Crest  Era  Forte  Grip  B3D, SNCK Recessed (Satin Nickel Only) 	BWT Bone White CHLK Chalk MSL Luster Grey BKO Onyx SNCK Satin Nickel	Q3 None Q4 One Liner \$80

**HOW TO ORDER**

SPECIFY: Exterior chassis finish | drawer finish | drawer edge finish | lock | pull | pull finish | removable drawer liners. See page 11 for a complete offering of finishes.

**MODEL NUMBER**

MM-121824HBC1

Exterior Chassis Finish	Drawer Finish	Drawer Edge Finish	Lock	Pull	Pull Finish	Removable Drawer Liners
NW2	NW2	NW2	LCK1	Awe	MSL	Q4

**WALL HANGING BASE CABINETS SINGLE (CONT.)**

• 1 drawer

• May be installed alone or with multiple base cabinets

• Work Surfaces (sold separately) are attached to top of cabinet

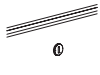
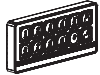





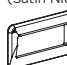
**WALL HANGING BASE CABINET OPEN WITH 1 DRAWER**



**24.25" DEEP MODELS**

model	w	d	h	wt	cu ft	List
MM-122424HBC1	12	24.25	24	40	5.5	\$ 956
MM-152424HBC1	15	24.25	24	43	6.7	\$ 968
MM-182424HBC1	18	24.25	24	45	7.9	\$ 983
MM-212424HBC1	21	24.25	24	50	9.1	\$ 1,009
MM-242424HBC1	24	24.25	24	55	10.3	\$ 1,020
MM-272424HBC1	27	24.25	24	60	11.5	\$ 1,077
MM-302424HBC1	30	24.25	24	65	12.6	\$ 1,135
MM-332424HBC1	33	24.25	24	68	13.8	\$ 1,179
MM-362424HBC1	36	24.25	24	70	15.0	\$ 1,224
MM-122429HBC1	12	24.25	29	45	6.6	\$ 985
MM-152429HBC1	15	24.25	29	48	8.0	\$ 998
MM-182429HBC1	18	24.25	29	50	9.4	\$ 1,013
MM-212429HBC1	21	24.25	29	55	10.8	\$ 1,040
MM-242429HBC1	24	24.25	29	60	12.2	\$ 1,051
MM-272429HBC1	27	24.25	29	65	13.7	\$ 1,110
MM-302429HBC1	30	24.25	29	70	15.1	\$ 1,170
MM-332429HBC1	33	24.25	29	73	16.5	\$ 1,215
MM-362429HBC1	36	24.25	29	75	17.9	\$ 1,261
MM-122432HBC1	12	24.25	32	50	7.2	\$ 992
MM-152432HBC1	15	24.25	32	53	8.8	\$ 1,023
MM-182432HBC1	18	24.25	32	55	10.3	\$ 1,054
MM-212432HBC1	21	24.25	32	60	11.9	\$ 1,061
MM-242432HBC1	24	24.25	32	65	13.4	\$ 1,111
MM-272432HBC1	27	24.25	32	70	15.0	\$ 1,172
MM-302432HBC1	30	24.25	32	75	16.5	\$ 1,231
MM-332432HBC1	33	24.25	32	78	18.1	\$ 1,274
MM-362432HBC1	36	24.25	32	80	19.6	\$ 1,317

**OPTIONS**

Exterior Chassis Finish	Drawer Finish	Drawer Edge Finish	Lock	Pull	Pull Finish	Removable Drawer Liners
TFL Woodgrain Laminate <i>Quartered</i> QE2 DS2 PC2 EN2 CO2 ST2 NW2 <i>Flat Cut</i> LC2 KD2 MH2 MC2 VM2 LM2 BU2 BE2 QR2 <i>Textured Laminate</i> (10% upcharge) NG2 NH2 TFL Solid Color Laminate BL2 GR2 SG2 FW2 RW2	TFL Woodgrain Laminate <i>Quartered</i> QE2 DS2 PC2 EN2 CO2 ST2 NW2 <i>Flat Cut</i> LC2 KD2 MH2 MC2 VM2 LM2 BU2 BE2 QR2 <i>Textured Laminate</i> (10% upcharge) NG2 NH2 TFL Solid Color Laminate BL2 GR2 SG2 FW2 RW2	TFL Woodgrain Laminate <i>Quartered</i> QE2 DS2 PC2 EN2 CO2 ST2 NW2 <i>Flat Cut</i> LC2 KD2 MH2 MC2 VM2 LM2 BU2 BE2 QR2 <i>Textured Laminate</i> (10% upcharge) NG2 NH2 TFL Solid Color Laminate BL2 GR2 SG2 FW2 RW2	NL No Lock - Standard LCK1 Requires 1 Lock Core \$77  B3E Keyless \$338  NOTE: LCK Locks ordered separately on page 5.	AS No Pull Awe  Crest  Era  Forte  Grip  B3D, SNCK Recessed (Satin Nickel Only) 	BWT Bone White CHLK Chalk MSL Luster Grey BKO Onyx SNCK Satin Nickel	Q3 None Q4 One Liner \$80

**HOW TO ORDER**

SPECIFY: Exterior chassis finish | drawer finish | drawer edge finish | lock | pull | pull finish | removable drawer liners. See page 11 for a complete offering of finishes.

**MODEL NUMBER**

MM-122424HBC1

Exterior Chassis Finish	Drawer Finish	Drawer Edge Finish	Lock	Pull	Pull Finish	Removable Drawer Liners
NW2	NW2	NW2	LCK1	Awe	MSL	Q4

**WALL HANGING BASE CABINETS SINGLE**

- 2 drawers
- Lock Options for Top Drawer only
- May be installed alone or with multiple base cabinets
- Work Surfaces (sold separately) are attached to top of cabinet
- All Mile Marker cabinetry is required to be anchored to a wall or floor. Installation hardware is not included with cabinets.

**WALL HANGING BASE CABINET WITH 2 DRAWERS**



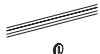
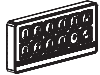





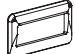
**14" DEEP MODELS**

model	w	d	h	wt	cu ft	List
MM-121414HBC2	12	14	14.5	25	2.1	\$ 610
MM-151414HBC2	15	14	14.5	26	2.6	\$ 665
MM-181414HBC2	18	14	14.5	27	3.1	\$ 679
MM-211414HBC2	21	14	14.5	29	3.5	\$ 707
MM-241414HBC2	24	14	14.5	31	4.0	\$ 733
MM-271414HBC2	27	14	14.5	34	4.4	\$ 759
MM-301414HBC2	30	14	14.5	37	4.9	\$ 861
MM-331414HBC2	33	14	14.5	38	5.3	\$ 875
MM-361414HBC2	36	14	14.5	39	5.8	\$ 963
MM-121416HBC2	12	14	16	26	2.3	\$ 763
MM-151416HBC2	15	14	16	27	2.8	\$ 775
MM-181416HBC2	18	14	16	28	3.3	\$ 784
MM-211416HBC2	21	14	16	30	3.8	\$ 817
MM-241416HBC2	24	14	16	32	4.3	\$ 837
MM-271416HBC2	27	14	16	36	4.8	\$ 843
MM-301416HBC2	30	14	16	41	5.3	\$ 924
MM-331416HBC2	33	14	16	41	5.8	\$ 930
MM-361416HBC2	36	14	16	43	6.3	\$ 1,013

**18.25" DEEP MODELS**

model	w	d	h	wt	cu ft	List
MM-121814HBC2	12	18.25	14.5	25	2.7	\$ 817
MM-151814HBC2	15	18.25	14.5	26	3.3	\$ 841
MM-181814HBC2	18	18.25	14.5	27	3.9	\$ 865
MM-211814HBC2	21	18.25	14.5	29	4.4	\$ 890
MM-241814HBC2	24	18.25	14.5	31	5.0	\$ 910
MM-271814HBC2	27	18.25	14.5	33	5.6	\$ 929
MM-301814HBC2	30	18.25	14.5	37	6.2	\$ 1,024
MM-331814HBC2	33	18.25	14.5	37	6.8	\$ 1,026
MM-361814HBC2	36	18.25	14.5	39	7.3	\$ 1,105
MM-121816HBC2	12	18.25	16	26	3.0	\$ 838
MM-151816HBC2	15	18.25	16	27	3.6	\$ 862
MM-181816HBC2	18	18.25	16	28	4.2	\$ 886
MM-211816HBC2	21	18.25	16	30	4.9	\$ 907
MM-241816HBC2	24	18.25	16	32	5.5	\$ 931
MM-271816HBC2	27	18.25	16	36	6.1	\$ 947
MM-301816HBC2	30	18.25	16	41	6.8	\$ 1,041
MM-331816HBC2	33	18.25	16	41	7.4	\$ 1,047
MM-361816HBC2	36	18.25	16	43	8.0	\$ 1,131

**OPTIONS**

Exterior Chassis Finish	Drawer Finish	Drawer Edge Finish	Lock	Pull	Pull Finish	Removable Drawer Liners
TFL Woodgrain Laminate <i>Quartered</i> QE2 DS2 PC2 EN2 CO2 ST2 NW2 <i>Flat Cut</i> LC2 KD2 MH2 MC2 VM2 LM2 BU2 BE2 QR2 <i>Textured Laminate</i> (10% upcharge) NG2 NH2 TFL Solid Color Laminate BL2 GR2 SG2 FW2 RW2	TFL Woodgrain Laminate <i>Quartered</i> QE2 DS2 PC2 EN2 CO2 ST2 NW2 <i>Flat Cut</i> LC2 KD2 MH2 MC2 VM2 LM2 BU2 BE2 QR2 <i>Textured Laminate</i> (10% upcharge) NG2 NH2 TFL Solid Color Laminate BL2 GR2 SG2 FW2 RW2	TFL Woodgrain Laminate <i>Quartered</i> QE2 DS2 PC2 EN2 CO2 ST2 NW2 <i>Flat Cut</i> LC2 KD2 MH2 MC2 VM2 LM2 BU2 BE2 QR2 <i>Textured Laminate</i> (10% upcharge) NG2 NH2 TFL Solid Color Laminate BL2 GR2 SG2 FW2 RW2	NL No Lock - Standard LCK1 Requires 1 Lock Core \$77  B3E Keyless \$338  NOTE: LCK Locks ordered separately on page 5.	AS No Pull Awe  Crest  Era  Forte  Grip  B3D, SNCK Recessed (Satin Nickel Only) 	BWT Bone White CHLK Chalk MSL Luster Grey BKO Onyx SNCK Satin Nickel	Q3 None Q4 One Liner \$80 Q5 Two Liners \$160

**HOW TO ORDER**

SPECIFY: Exterior chassis finish | drawer finish | drawer edge finish | lock | pull | pull finish | removable drawer liners. See page 11 for a complete offering of finishes.

**MODEL NUMBER**

MM-121414HBC2

Exterior Chassis Finish	Drawer Finish	Drawer Edge Finish	Lock	Pull	Pull Finish	Removable Drawer Liners
NW2	NW2	NW2	LCK1	Awe	MSL	Q5

**WALL HANGING BASE CABINETS SINGLE (CONT.)**

- 2 drawers
- Lock Options for Top Drawer only
- May be installed alone or with multiple base cabinets
- Work Surfaces (sold separately) are attached to top of cabinet
- All Mile Marker cabinetry is required to be anchored to a wall or floor. Installation hardware is not included with cabinets.

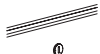
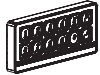





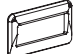
**WALL HANGING BASE CABINET WITH 2 DRAWERS**



**24.25" DEEP MODELS**

model	w	d	h	wt	cu ft	List
MM-122414HBC2	12	24.25	14.5	35	3.5	\$ 929
MM-152414HBC2	15	24.25	14.5	36	4.3	\$ 950
MM-182414HBC2	18	24.25	14.5	37	5.0	\$ 972
MM-212414HBC2	21	24.25	14.5	39	5.8	\$ 995
MM-242414HBC2	24	24.25	14.5	41	6.5	\$ 1,027
MM-272414HBC2	27	24.25	14.5	43	7.3	\$ 1,045
MM-302414HBC2	30	24.25	14.5	42	8.0	\$ 1,138
MM-332414HBC2	33	24.25	14.5	47	8.8	\$ 1,144
MM-362414HBC2	36	24.25	14.5	44	9.5	\$ 1,226
MM-122416HBC2	12	24.25	16	36	3.8	\$ 941
MM-152416HBC2	15	24.25	16	37	4.6	\$ 967
MM-182416HBC2	18	24.25	16	38	5.5	\$ 991
MM-212416HBC2	21	24.25	16	40	6.3	\$ 1,020
MM-242416HBC2	24	24.25	16	42	7.1	\$ 1,038
MM-272416HBC2	27	24.25	16	44	7.9	\$ 1,051
MM-302416HBC2	30	24.25	16	44	8.8	\$ 1,142
MM-332416HBC2	30	24.25	16	48	8.8	\$ 1,148
MM-362416HBC2	36	24.25	16	46	10.4	\$ 1,232

**OPTIONS**

Exterior Chassis Finish	Drawer Finish	Drawer Edge Finish	Lock	Pull	Pull Finish	Removable Drawer Liners
TFL Woodgrain Laminate <i>Quartered</i> QE2 DS2 PC2 EN2 CO2 ST2 NW2 <i>Flat Cut</i> LC2 KD2 MH2 MC2 VM2 LM2 BU2 BE2 QR2 <i>Textured Laminate</i> (10% upcharge) NG2 NH2 TFL Solid Color Laminate BL2 GR2 SG2 FW2 RW2	TFL Woodgrain Laminate <i>Quartered</i> QE2 DS2 PC2 EN2 CO2 ST2 NW2 <i>Flat Cut</i> LC2 KD2 MH2 MC2 VM2 LM2 BU2 BE2 QR2 <i>Textured Laminate</i> (10% upcharge) NG2 NH2 TFL Solid Color Laminate BL2 GR2 SG2 FW2 RW2	TFL Woodgrain Laminate <i>Quartered</i> QE2 DS2 PC2 EN2 CO2 ST2 NW2 <i>Flat Cut</i> LC2 KD2 MH2 MC2 VM2 LM2 BU2 BE2 QR2 <i>Textured Laminate</i> (10% upcharge) NG2 NH2 TFL Solid Color Laminate BL2 GR2 SG2 FW2 RW2	NL No Lock - Standard LCK1 Requires 1 Lock Core \$77  B3E Keyless \$338  NOTE: LCK Locks ordered separately on page 5.	AS No Pull Awe  Crest  Era  Forte  Grip  B3D, SNCK Recessed (Satin Nickel Only) 	BWT Bone White CHLK Chalk MSL Luster Grey BKO Onyx SNCK Satin Nickel	Q3 None Q4 One Liner \$80 Q5 Two Liners \$160

**HOW TO ORDER**

SPECIFY: Exterior chassis finish | drawer finish | drawer edge finish | lock | pull | pull finish | removable drawer liners. See page 11 for a complete offering of finishes.

**MODEL NUMBER**

MM-122414HBC2

Exterior Chassis Finish	Drawer Finish	Drawer Edge Finish	Lock	Pull	Pull Finish	Removable Drawer Liners
NW2	NW2	NW2	LCK1	Awe	MSL	Q5

**WALL HANGING BASE CABINETS SINGLE**

- 3 drawers
- Lock Options for Top Drawer only
- May be installed alone or with multiple base cabinets
- Work Surfaces (sold separately) are attached to top of cabinet.
- All Mile Marker cabinetry is required to be anchored to a wall or floor. Installation hardware is not included with cabinets.

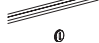




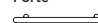


**WALL HANGING BASE CABINET WITH 3 DRAWERS**



**14" DEEP MODELS**

model	w	d	h	wt	cu ft	List
MM-121424HBC3	12	14	24	23	3.4	\$ 876
MM-151424HBC3	15	14	24	25	4.1	\$ 887
MM-181424HBC3	18	14	24	26	4.8	\$ 896
MM-211424HBC3	21	14	24	27	5.5	\$ 924
MM-241424HBC3	24	14	24	29	6.3	\$ 958
MM-271424HBC3	27	14	24	32	7.0	\$ 1,018
MM-301424HBC3	30	14	24	35	7.7	\$ 1,078
MM-331424HBC3	33	14	24	38	8.4	\$ 1,122
MM-361424HBC3	36	14	24	42	9.1	\$ 1,165
MM-121429HBC3	12	14	29	25	4.0	\$ 960
MM-151429HBC3	15	14	29	27	4.9	\$ 972
MM-181429HBC3	18	14	29	28	5.7	\$ 983
MM-211429HBC3	21	14	29	29	6.6	\$ 1,011
MM-241429HBC3	24	14	29	31	7.5	\$ 1,045
MM-271429HBC3	27	14	29	35	8.3	\$ 1,049
MM-301429HBC3	30	14	29	41	9.2	\$ 1,170
MM-331429HBC3	33	14	29	41	10.0	\$ 1,156
MM-361429HBC3	36	14	29	44	10.9	\$ 1,259
MM-121432HBC3	12	14	32	26	4.4	\$ 1,050
MM-151432HBC3	15	14	32	28	5.4	\$ 1,058
MM-181432HBC3	18	14	32	29	6.3	\$ 1,069
MM-211432HBC3	21	14	32	30	7.2	\$ 1,071
MM-241432HBC3	24	14	32	32	8.2	\$ 1,092
MM-271432HBC3	27	14	32	39	9.1	\$ 1,103
MM-301432HBC3	30	14	32	42	10.1	\$ 1,229
MM-331432HBC3	33	14	32	44	11.0	\$ 1,204
MM-361432HBC3	36	14	32	46	12.0	\$ 1,294

**OPTIONS**

Exterior Chassis Finish	Drawer Finish	Drawer Edge Finish	Lock	Pull	Pull Finish	Removable Drawer Liners
TFL Woodgrain Laminate <i>Quartered</i> QE2 DS2 PC2 EN2 CO2 ST2 NW2 <i>Flat Cut</i> LC2 KD2 MH2 MC2 VM2 LM2 BU2 BE2 QR2 <i>Textured Laminate (10% upcharge)</i> NG2 NH2 TFL Solid Color Laminate BL2 GR2 SG2 FW2 RW2	TFL Woodgrain Laminate <i>Quartered</i> QE2 DS2 PC2 EN2 CO2 ST2 NW2 <i>Flat Cut</i> LC2 KD2 MH2 MC2 VM2 LM2 BU2 BE2 QR2 <i>Textured Laminate (10% upcharge)</i> NG2 NH2 TFL Solid Color Laminate BL2 GR2 SG2 FW2 RW2	TFL Woodgrain Laminate <i>Quartered</i> QE2 DS2 PC2 EN2 CO2 ST2 NW2 <i>Flat Cut</i> LC2 KD2 MH2 MC2 VM2 LM2 BU2 BE2 QR2 <i>Textured Laminate (10% upcharge)</i> NG2 NH2 TFL Solid Color Laminate BL2 GR2 SG2 FW2 RW2	NL No Lock - Standard LCK1 Requires 1 Lock Core \$77  B3E Keyless \$338  NOTE: LCK Locks ordered separately on page 5.	AS No Pull Awe  Crest  Era  Forte  Grip  B3D, SNCK Recessed (Satin Nickel Only) 	BWT Bone White CHLK Chalk MSL Luster Grey BKO Onyx SNCK Satin Nickel	Q3 None Q4 One Liner \$80 Q5 Two Liners \$160 Q6 Three Liners \$240

**HOW TO ORDER**

SPECIFY: Exterior chassis finish | drawer finish | drawer edge finish | lock | pull | pull finish | removable drawer liners. See page 11 for a complete offering of finishes.

**MODEL NUMBER**

MM-121424HBC3

Exterior Chassis Finish	Drawer Finish	Drawer Edge Finish	Lock	Pull	Pull Finish	Removable Drawer Liners
NW2	NW2	NW2	LCK1	Awe	MSL	Q5



**WALL HANGING BASE CABINETS SINGLE (CONT.)**

- 3 drawers
- Lock Options for Top Drawer only
- May be installed alone or with multiple base cabinets
- Work Surfaces (sold separately) are attached to top of cabinet.
- All Mile Marker cabinetry is required to be anchored to a wall or floor. Installation hardware is not included with cabinets.

**WALL HANGING BASE CABINET WITH 3 DRAWERS**



**18.25" DEEP MODELS**

model	w	d	h	wt	cu ft	List
MM-121824HBC3	12	18.25	24	23	4.3	\$ 956
MM-151824HBC3	15	18.25	24	25	5.2	\$ 977
MM-181824HBC3	18	18.25	24	26	6.1	\$ 999
MM-211824HBC3	21	18.25	24	27	7.0	\$ 1,023
MM-241824HBC3	24	18.25	24	29	7.9	\$ 1,039
MM-271824HBC3	27	18.25	24	34	8.8	\$ 1,090
MM-301824HBC3	30	18.25	24	36	9.8	\$ 1,142
MM-331824HBC3	33	18.25	24	39	10.7	\$ 1,165
MM-361824HBC3	36	18.25	24	42	11.6	\$ 1,188
MM-121829HBC3	12	18.25	29	25	5.1	\$ 1,043
MM-151829HBC3	15	18.25	29	26	6.2	\$ 1,066
MM-181829HBC3	18	18.25	29	27	7.3	\$ 1,088
MM-211829HBC3	21	18.25	29	29	8.4	\$ 1,112
MM-241829HBC3	24	18.25	29	31	9.4	\$ 1,129
MM-271829HBC3	27	18.25	29	34	10.5	\$ 1,124
MM-301829HBC3	30	18.25	29	41	11.6	\$ 1,235
MM-331829HBC3	33	18.25	29	40	12.7	\$ 1,202
MM-361829HBC3	36	18.25	29	44	13.8	\$ 1,283
MM-121832HBC3	12	18.25	32	26	5.6	\$ 1,067
MM-151832HBC3	15	18.25	32	27	6.8	\$ 1,079
MM-181832HBC3	18	18.25	32	28	8.0	\$ 1,092
MM-211832HBC3	21	18.25	32	30	9.2	\$ 1,150
MM-241832HBC3	24	18.25	32	32	10.4	\$ 1,173
MM-271832HBC3	27	18.25	32	38	11.6	\$ 1,174
MM-301832HBC3	30	18.25	32	42	12.8	\$ 1,291
MM-331832HBC3	33	18.25	32	43	13.9	\$ 1,281
MM-361832HBC3	36	18.25	32	46	15.1	\$ 1,387

**OPTIONS**

Exterior Chassis Finish	Drawer Finish	Drawer Edge Finish	Lock	Pull	Pull Finish	Removable Drawer Liners
TFL Woodgrain Laminate <i>Quartered</i> QE2 DS2 PC2 EN2 CO2 ST2 NW2 <i>Flat Cut</i> LC2 KD2 MH2 MC2 VM2 LM2 BU2 BE2 QR2 <i>Textured Laminate (10% upcharge)</i> NG2 NH2  TFL Solid Color Laminate BL2 GR2 SG2 FW2 RW2	TFL Woodgrain Laminate <i>Quartered</i> QE2 DS2 PC2 EN2 CO2 ST2 NW2 <i>Flat Cut</i> LC2 KD2 MH2 MC2 VM2 LM2 BU2 BE2 QR2 <i>Textured Laminate (10% upcharge)</i> NG2 NH2  TFL Solid Color Laminate BL2 GR2 SG2 FW2 RW2	TFL Woodgrain Laminate <i>Quartered</i> QE2 DS2 PC2 EN2 CO2 ST2 NW2 <i>Flat Cut</i> LC2 KD2 MH2 MC2 VM2 LM2 BU2 BE2 QR2 <i>Textured Laminate (10% upcharge)</i> NG2 NH2  TFL Solid Color Laminate BL2 GR2 SG2 FW2 RW2	NL No Lock - Standard LCK1 Requires 1 Lock Core \$77  B3E Keyless \$338  NOTE: LCK Locks ordered separately on page 5.	AS No Pull  Awe  Crest  Era	Forte  Grip  B3D, SNCK Recessed (Satin Nickel Only)	BWT Bone White CHLK Chalk MSL Luster Grey BKO Onyx SNCK Satin Nickel  Q3 None Q4 One Liner \$80 Q5 Two Liners \$160 Q6 Three Liners \$240

**HOW TO ORDER**

SPECIFY: Exterior chassis finish | drawer finish | drawer edge finish | lock | pull | pull finish | removable drawer liners. See page 11 for a complete offering of finishes.

**MODEL NUMBER**

MM-121824HBC3

Exterior Chassis Finish	Drawer Finish	Drawer Edge Finish	Lock	Pull	Pull Finish	Removable Drawer Liners
NW2	NW2	NW2	LCK1	Awe	MSL	Q5

**WALL HANGING BASE CABINETS SINGLE (CONT.)**

- 3 drawers
- Lock Options for Top Drawer only
- May be installed alone or with multiple base cabinets
- Work Surfaces (sold separately) are attached to top of cabinet
- All Mile Marker cabinetry is required to be anchored to a wall or floor. Installation hardware is not included with cabinets.

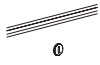
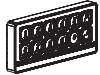





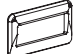
**WALL HANGING BASE CABINET WITH 3 DRAWERS**



**24.25" DEEP MODELS**

model	w	d	h	wt	cu ft	List
MM-122424HBC3	12	24.25	24	23	5.5	\$ 1,076
MM-152424HBC3	15	24.25	24	25	6.7	\$ 1,085
MM-182424HBC3	18	24.25	24	26	7.9	\$ 1,098
MM-212424HBC3	21	24.25	24	27	9.1	\$ 1,120
MM-242424HBC3	24	24.25	24	29	10.3	\$ 1,131
MM-272424HBC3	27	24.25	24	34	11.5	\$ 1,189
MM-302424HBC3	30	24.25	24	37	12.6	\$ 1,247
MM-332424HBC3	33	24.25	24	40	13.8	\$ 1,293
MM-362424HBC3	36	24.25	24	43	15.0	\$ 1,338
MM-122429HBC3	12	24.25	29	25	6.6	\$ 1,167
MM-152429HBC3	15	24.25	29	26	8.0	\$ 1,177
MM-182429HBC3	18	24.25	29	27	9.4	\$ 1,188
MM-212429HBC3	21	24.25	29	29	10.8	\$ 1,212
MM-242429HBC3	24	24.25	29	31	12.2	\$ 1,224
MM-272429HBC3	27	24.25	29	35	13.7	\$ 1,227
MM-302429HBC3	30	24.25	29	41	15.1	\$ 1,344
MM-332429HBC3	33	24.25	29	41	16.5	\$ 1,333
MM-362429HBC3	36	24.25	29	44	17.9	\$ 1,437
MM-122432HBC3	12	24.25	32	26	7.2	\$ 1,170
MM-152432HBC3	15	24.25	32	27	8.8	\$ 1,200
MM-182432HBC3	18	24.25	32	28	10.3	\$ 1,229
MM-212432HBC3	21	24.25	32	30	11.9	\$ 1,239
MM-242432HBC3	24	24.25	32	32	13.4	\$ 1,289
MM-272432HBC3	27	24.25	32	35	15.0	\$ 1,291
MM-302432HBC3	30	24.25	32	42	16.5	\$ 1,408
MM-332432HBC3	33	24.25	32	42	18.1	\$ 1,395
MM-362432HBC3	36	24.25	32	46	19.6	\$ 1,496

**OPTIONS**

Exterior Chassis Finish	Drawer Finish	Drawer Edge Finish	Lock	Pull	Pull Finish	Removable Drawer Liners
TFL Woodgrain Laminate <i>Quartered</i> QE2 DS2 PC2 EN2 CO2 ST2 NW2 <i>Flat Cut</i> LC2 KD2 MH2 MC2 VM2 LM2 BU2 BE2 QR2 <i>Textured Laminate</i> (10% upcharge) NG2 NH2 TFL Solid Color Laminate BL2 GR2 SG2 FW2 RW2	TFL Woodgrain Laminate <i>Quartered</i> QE2 DS2 PC2 EN2 CO2 ST2 NW2 <i>Flat Cut</i> LC2 KD2 MH2 MC2 VM2 LM2 BU2 BE2 QR2 <i>Textured Laminate</i> (10% upcharge) NG2 NH2 TFL Solid Color Laminate BL2 GR2 SG2 FW2 RW2	TFL Woodgrain Laminate <i>Quartered</i> QE2 DS2 PC2 EN2 CO2 ST2 NW2 <i>Flat Cut</i> LC2 KD2 MH2 MC2 VM2 LM2 BU2 BE2 QR2 <i>Textured Laminate</i> (10% upcharge) NG2 NH2 TFL Solid Color Laminate BL2 GR2 SG2 FW2 RW2	NL No Lock - Standard LCK1 Requires 1 Lock Core \$77  B3E Keyless \$338  NOTE: LCK Locks ordered separately on page 5.	AS No Pull Awe  Crest  Era  Forte  Grip  B3D, SNCK Recessed (Satin Nickel Only) 	BWT Bone White CHLK Chalk MSL Luster Grey BKO Onyx SNCK Satin Nickel	Q3 None Q4 One Liner \$80 Q5 Two Liners \$160 Q6 Three Liners \$240

**HOW TO ORDER**

SPECIFY: Exterior chassis finish | drawer finish | drawer edge finish | lock | pull | pull finish | removable drawer liners. See page 11 for a complete offering of finishes.

**MODEL NUMBER**

MM-122424HBC3

Exterior Chassis Finish	Drawer Finish	Drawer Edge Finish	Lock	Pull	Pull Finish	Removable Drawer Liners
NW2	NW2	NW2	LCK1	Awe	MSL	Q5

**WALL HANGING BASE CABINETS SINGLE**

- 4 drawers
- Lock Options for Top Drawer only
- May be installed alone or with multiple base cabinets
- Work Surfaces (sold separately) are attached to top of cabinet
- All Mile Marker cabinetry is required to be anchored to a wall or floor. Installation hardware is not included with cabinets.

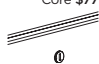


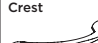

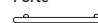


**WALL HANGING BASE CABINET WITH 4 DRAWERS**



**14" DEEP MODELS**

model	w	d	h	wt	cu ft	List
MM-121424HBC4	12	14	24	23	3.4	\$ 988
MM-151424HBC4	15	14	24	25	4.1	\$ 998
MM-181424HBC4	18	14	24	26	4.8	\$ 1,008
MM-211424HBC4	21	14	24	27	5.5	\$ 1,038
MM-241424HBC4	24	14	24	29	6.3	\$ 1,070
MM-271424HBC4	27	14	24	35	7.0	\$ 1,135
MM-301424HBC4	30	14	24	38	7.7	\$ 1,200
MM-331424HBC4	33	14	24	41	8.4	\$ 1,239
MM-361424HBC4	36	14	24	44	9.1	\$ 1,278
MM-121429HBC4	12	14	29	25	4.0	\$ 1,095
MM-151429HBC4	15	14	29	26	4.9	\$ 1,106
MM-181429HBC4	18	14	29	27	5.7	\$ 1,116
MM-211429HBC4	21	14	29	29	6.6	\$ 1,147
MM-241429HBC4	24	14	29	31	7.5	\$ 1,180
MM-271429HBC4	27	14	29	35	8.3	\$ 1,170
MM-301429HBC4	30	14	29	41	9.2	\$ 1,313
MM-331429HBC4	33	14	29	41	10.0	\$ 1,277
MM-361429HBC4	36	14	29	44	10.9	\$ 1,395
MM-121432HBC4	12	14	32	26	4.4	\$ 1,186
MM-151432HBC4	15	14	32	27	5.4	\$ 1,190
MM-181432HBC4	18	14	32	28	6.3	\$ 1,196
MM-211432HBC4	21	14	32	30	7.2	\$ 1,206
MM-241432HBC4	24	14	32	32	8.2	\$ 1,225
MM-271432HBC4	27	14	32	37	9.1	\$ 1,194
MM-301432HBC4	30	14	32	42	10.1	\$ 1,319
MM-331432HBC4	33	14	32	43	11.0	\$ 1,327
MM-361432HBC4	36	14	32	46	12.0	\$ 1,491

**OPTIONS**

Exterior Chassis Finish	Drawer Finish	Drawer Edge Finish	Lock	Pull	Pull Finish	Removable Drawer Liners
TFL Woodgrain Laminate <i>Quartered</i> QE2 DS2 PC2 EN2 CO2 ST2 NW2 <i>Flat Cut</i> LC2 KD2 MH2 MC2 VM2 LM2 BU2 BE2 QR2 <i>Textured Laminate (10% upcharge)</i> NG2 NH2 TFL Solid Color Laminate BL2 GR2 SG2 FW2 RW2	TFL Woodgrain Laminate <i>Quartered</i> QE2 DS2 PC2 EN2 CO2 ST2 NW2 <i>Flat Cut</i> LC2 KD2 MH2 MC2 VM2 LM2 BU2 BE2 QR2 <i>Textured Laminate (10% upcharge)</i> NG2 NH2 TFL Solid Color Laminate BL2 GR2 SG2 FW2 RW2	TFL Woodgrain Laminate <i>Quartered</i> QE2 DS2 PC2 EN2 CO2 ST2 NW2 <i>Flat Cut</i> LC2 KD2 MH2 MC2 VM2 LM2 BU2 BE2 QR2 <i>Textured Laminate (10% upcharge)</i> NG2 NH2 TFL Solid Color Laminate BL2 GR2 SG2 FW2 RW2	NL No Lock - Standard LCK1 Requires 1 Lock Core \$77  B3E Keyless \$338  NOTE: LCK Locks ordered separately on page 5.	AS No Pull Awe  Crest  Era 	Forte  Grip  B3D, SNCK Recessed (Satin Nickel Only) 	BWT Bone White CHLK Chalk MSL Luster Grey BKO Onyx SNCK Satin Nickel Q3 None Q4 One Liner \$80 Q5 Two Liners \$160 Q6 Three Liners \$240 B3F Four Liners \$320

**HOW TO ORDER**

SPECIFY: Exterior chassis finish | drawer finish | drawer edge finish | lock | pull | pull finish | removable drawer liners. See page 11 for a complete offering of finishes.

**MODEL NUMBER**

MM-121424HBC4

Exterior Chassis Finish	Drawer Finish	Drawer Edge Finish	Lock	Pull	Pull Finish	Removable Drawer Liners
NW2	NW2	NW2	LCK1	Awe	MSL	B3F

**WALL HANGING BASE CABINETS SINGLE (CONT.)**

- 4 drawers
- Lock Options for Top Drawer only
- May be installed alone or with multiple base cabinets
- Work Surfaces (sold separately) are attached to top of cabinet
- All Mile Marker cabinetry is required to be anchored to a wall or floor. Installation hardware is not included with cabinets.

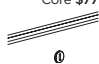


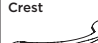

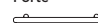


**WALL HANGING BASE CABINET WITH 4 DRAWERS**



**18.25" DEEP MODELS**

model	w	d	h	wt	cu ft	List
MM-121824HBC4	12	18.25	24	23	4.3	\$ 1,078
MM-151824HBC4	15	18.25	24	25	5.2	\$ 1,095
MM-181824HBC4	18	18.25	24	26	6.1	\$ 1,110
MM-211824HBC4	21	18.25	24	27	7.0	\$ 1,136
MM-241824HBC4	24	18.25	24	29	7.9	\$ 1,151
MM-271824HBC4	27	18.25	24	35	8.8	\$ 1,205
MM-301824HBC4	30	18.25	24	38	9.8	\$ 1,259
MM-331824HBC4	33	18.25	24	41	10.7	\$ 1,283
MM-361824HBC4	36	18.25	24	45	11.6	\$ 1,307
MM-121829HBC4	12	18.25	29	25	5.1	\$ 1,188
MM-151829HBC4	15	18.25	29	26	6.2	\$ 1,206
MM-181829HBC4	18	18.25	29	27	7.3	\$ 1,222
MM-211829HBC4	21	18.25	29	29	8.4	\$ 1,247
MM-241829HBC4	24	18.25	29	31	9.4	\$ 1,264
MM-271829HBC4	27	18.25	29	35	10.5	\$ 1,242
MM-301829HBC4	30	18.25	29	41	11.6	\$ 1,374
MM-331829HBC4	33	18.25	29	41	12.7	\$ 1,322
MM-361829HBC4	36	18.25	29	44	13.8	\$ 1,424
MM-121832HBC4	12	18.25	32	26	5.6	\$ 1,203
MM-151832HBC4	15	18.25	32	27	6.8	\$ 1,215
MM-181832HBC4	18	18.25	32	28	8.0	\$ 1,229
MM-211832HBC4	21	18.25	32	30	9.2	\$ 1,295
MM-241832HBC4	24	18.25	32	32	10.4	\$ 1,309
MM-271832HBC4	27	18.25	32	36	11.6	\$ 1,292
MM-301832HBC4	30	18.25	32	42	12.8	\$ 1,429
MM-331832HBC4	33	18.25	32	42	13.9	\$ 1,398
MM-361832HBC4	36	18.25	32	46	15.1	\$ 1,522

**OPTIONS**

Exterior Chassis Finish	Drawer Finish	Drawer Edge Finish	Lock	Pull	Pull Finish	Removable Drawer Liners
TFL Woodgrain Laminate <i>Quartered</i> QE2 DS2 PC2 EN2 CO2 ST2 NW2 <i>Flat Cut</i> LC2 KD2 MH2 MC2 VM2 LM2 BU2 BE2 QR2 <i>Textured Laminate (10% upcharge)</i> NG2 NH2 TFL Solid Color Laminate BL2 GR2 SG2 FW2 RW2	TFL Woodgrain Laminate <i>Quartered</i> QE2 DS2 PC2 EN2 CO2 ST2 NW2 <i>Flat Cut</i> LC2 KD2 MH2 MC2 VM2 LM2 BU2 BE2 QR2 <i>Textured Laminate (10% upcharge)</i> NG2 NH2 TFL Solid Color Laminate BL2 GR2 SG2 FW2 RW2	TFL Woodgrain Laminate <i>Quartered</i> QE2 DS2 PC2 EN2 CO2 ST2 NW2 <i>Flat Cut</i> LC2 KD2 MH2 MC2 VM2 LM2 BU2 BE2 QR2 <i>Textured Laminate (10% upcharge)</i> NG2 NH2 TFL Solid Color Laminate BL2 GR2 SG2 FW2 RW2	NL No Lock - Standard LCK1 Requires 1 Lock Core \$77  B3E Keyless \$338  NOTE: LCK Locks ordered separately on page 5.	AS No Pull Awe  Crest  Era  Forte  Grip  B3D, SNCK Recessed (Satin Nickel Only) 	BWT Bone White CHLK Chalk MSL Luster Grey BKO Onyx SNCK Satin Nickel	Q3 None Q4 One Liner \$80 Q5 Two Liners \$160 Q6 Three Liners \$240 B3F Four Liners \$320

**HOW TO ORDER**

SPECIFY: Exterior chassis finish | drawer finish | drawer edge finish | lock | pull | pull finish | removable drawer liners. See page 11 for a complete offering of finishes.

**MODEL NUMBER**

MM-121824HBC4

Exterior Chassis Finish	Drawer Finish	Drawer Edge Finish	Lock	Pull	Pull Finish	Removable Drawer Liners
NW2	NW2	NW2	LCK1	Awe	MSL	B3F

**WALL HANGING BASE CABINETS SINGLE (CONT.)**

- 4 drawers
- Lock Options for Top Drawer only
- May be installed alone or with multiple base cabinets
- Work Surfaces (sold separately) are attached to top of cabinet
- All Mile Marker cabinetry is required to be anchored to a wall or floor. Installation hardware is not included with cabinets.

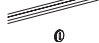




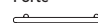


**WALL HANGING BASE CABINET WITH 4 DRAWERS**

**24.25" DEEP MODELS**



model	w	d	h	wt	cu ft	List
MM-122424HBC4	12	24.25	24	23	5.5	\$ 1,188
MM-152424HBC4	15	24.25	24	25	6.7	\$ 1,199
MM-182424HBC4	18	24.25	24	26	7.9	\$ 1,209
MM-212424HBC4	21	24.25	24	27	9.1	\$ 1,236
MM-242424HBC4	24	24.25	24	29	10.3	\$ 1,242
MM-272424HBC4	27	24.25	24	33	11.5	\$ 1,300
MM-302424HBC4	30	24.25	24	36	12.6	\$ 1,358
MM-332424HBC4	33	24.25	24	39	13.8	\$ 1,403
MM-362424HBC4	36	24.25	24	42	15.0	\$ 1,450
MM-122429HBC4	12	24.25	29	25	6.6	\$ 1,303
MM-152429HBC4	15	24.25	29	26	8.0	\$ 1,312
MM-182429HBC4	18	24.25	29	27	9.4	\$ 1,324
MM-212429HBC4	21	24.25	29	29	10.8	\$ 1,351
MM-242429HBC4	24	24.25	29	31	12.2	\$ 1,358
MM-272429HBC4	27	24.25	29	35	13.7	\$ 1,340
MM-302429HBC4	30	24.25	29	41	15.1	\$ 1,476
MM-332429HBC4	33	24.25	29	41	16.5	\$ 1,447
MM-362429HBC4	36	24.25	29	44	17.9	\$ 1,571
MM-122432HBC4	12	24.25	32	26	7.2	\$ 1,309
MM-152432HBC4	15	24.25	32	27	8.8	\$ 1,337
MM-182432HBC4	18	24.25	32	28	10.3	\$ 1,364
MM-212432HBC4	21	24.25	32	30	11.9	\$ 1,374
MM-242432HBC4	24	24.25	32	32	13.4	\$ 1,419
MM-272432HBC4	27	24.25	32	37	15.0	\$ 1,405
MM-302432HBC4	30	24.25	32	42	16.5	\$ 1,548
MM-332432HBC4	33	24.25	32	43	18.1	\$ 1,514
MM-362432HBC4	36	24.25	32	46	19.6	\$ 1,634

**OPTIONS**

Exterior Chassis Finish	Drawer Finish	Drawer Edge Finish	Lock	Pull	Pull Finish	Removable Drawer Liners
TFL Woodgrain Laminate <i>Quartered</i> QE2 DS2 PC2 EN2 CO2 ST2 NW2 <i>Flat Cut</i> LC2 KD2 MH2 MC2 VM2 LM2 BU2 BE2 QR2 <i>Textured Laminate (10% upcharge)</i> NG2 NH2 TFL Solid Color Laminate BL2 GR2 SG2 FW2 RW2	TFL Woodgrain Laminate <i>Quartered</i> QE2 DS2 PC2 EN2 CO2 ST2 NW2 <i>Flat Cut</i> LC2 KD2 MH2 MC2 VM2 LM2 BU2 BE2 QR2 <i>Textured Laminate (10% upcharge)</i> NG2 NH2 TFL Solid Color Laminate BL2 GR2 SG2 FW2 RW2	TFL Woodgrain Laminate <i>Quartered</i> QE2 DS2 PC2 EN2 CO2 ST2 NW2 <i>Flat Cut</i> LC2 KD2 MH2 MC2 VM2 LM2 BU2 BE2 QR2 <i>Textured Laminate (10% upcharge)</i> NG2 NH2 TFL Solid Color Laminate BL2 GR2 SG2 FW2 RW2	NL No Lock - Standard LCK1 Requires 1 Lock Core \$77  B3E Keyless \$338  NOTE: LCK Locks ordered separately on page 5.	AS No Pull Awe  Crest  Era  Forte  Grip  B3D, SNCK Recessed (Satin Nickel Only) 	BWT Bone White CHLK Chalk MSL Luster Grey BKO Onyx SNCK Satin Nickel	Q3 None Q4 One Liner \$80 Q5 Two Liners \$160 Q6 Three Liners \$240 B3F Four Liners \$320

**HOW TO ORDER**

SPECIFY: Exterior chassis finish | drawer finish | drawer edge finish | lock | pull | pull finish | removable drawer liners. See page 11 for a complete offering of finishes.

**MODEL NUMBER**

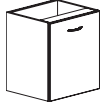
MM-122424HBC4

Exterior Chassis Finish	Drawer Finish	Drawer Edge Finish	Lock	Pull	Pull Finish	Removable Drawer Liners
NW2	NW2	NW2	LCK1	Awe	MSL	B3F

**WALL HANGING BASE CABINETS SINGLE**

- 1 waste pullout drawer with liner
- Trash receptacle included with unit (9.375w x 15.375d x 17.875)

**WALL HANGING BASE CABINET WITH WASTE PULLOUT DRAWER**









**18.25" DEEP MODELS**

model	w	d	h	wt	cu ft	List
MM-151824HBCWP	15	18.25	24	40	5.2	\$ 878
MM-181824HBCWP	18	18.25	24	45	6.1	\$ 906
MM-211824HBCWP	21	18.25	24	50	7.0	\$ 922
MM-241824HBCWP	24	18.25	24	55	7.9	\$ 972
MM-151829HBCWP	15	18.25	29	45	6.2	\$ 904
MM-181829HBCWP	18	18.25	29	50	7.3	\$ 933
MM-211829HBCWP	21	18.25	29	55	8.4	\$ 950
MM-241829HBCWP	24	18.25	29	60	9.4	\$ 1,002
MM-151832HBCWP	15	18.25	32	50	6.8	\$ 923
MM-181832HBCWP	18	18.25	32	55	8.0	\$ 965
MM-211832HBCWP	21	18.25	32	60	9.2	\$ 988
MM-241832HBCWP	24	18.25	32	65	10.4	\$ 1,051

**24.25" DEEP MODELS**

model	w	d	h	wt	cu ft	List
MM-152424HBCWP	15	24.25	24	45	6.7	\$ 983
MM-182424HBCWP	18	24.25	24	50	7.9	\$ 1,009
MM-212424HBCWP	21	24.25	24	55	9.1	\$ 1,020
MM-242424HBCWP	24	24.25	24	60	10.3	\$ 1,077
MM-152429HBCWP	15	24.25	29	50	8.0	\$ 1,013
MM-182429HBCWP	18	24.25	29	55	9.4	\$ 1,040
MM-212429HBCWP	21	24.25	29	60	10.8	\$ 1,051
MM-242429HBCWP	24	24.25	29	65	12.2	\$ 1,110
MM-152432HBCWP	15	24.25	32	55	8.8	\$ 1,054
MM-182432HBCWP	18	24.25	32	60	10.3	\$ 1,061
MM-212432HBCWP	21	24.25	32	65	11.9	\$ 1,111
MM-242432HBCWP	24	24.25	32	70	13.4	\$ 1,172

**OPTIONS**

Exterior Chassis Finish	Drawer Finish	Drawer Edge Finish	Pull	Pull Finish
TFL Woodgrain Laminate <i>Quartered</i> QE2 DS2 PC2 EN2 CO2 ST2 NW2 <i>Flat Cut</i> LC2 KD2 MH2 MC2 VM2 LM2 BU2 BE2 QR2 <i>Textured Laminate</i> (10% upcharge) NG2 NH2  TFL Solid Color Laminate BL2 GR2 SG2 FW2 RW2	TFL Woodgrain Laminate <i>Quartered</i> QE2 DS2 PC2 EN2 CO2 ST2 NW2 <i>Flat Cut</i> LC2 KD2 MH2 MC2 VM2 LM2 BU2 BE2 QR2 <i>Textured Laminate</i> (10% upcharge) NG2 NH2  TFL Solid Color Laminate BL2 GR2 SG2 FW2 RW2	TFL Woodgrain Laminate <i>Quartered</i> QE2 DS2 PC2 EN2 CO2 ST2 NW2 <i>Flat Cut</i> LC2 KD2 MH2 MC2 VM2 LM2 BU2 BE2 QR2 <i>Textured Laminate</i> (10% upcharge) NG2 NH2  TFL Solid Color Laminate BL2 GR2 SG2 FW2 RW2	AS No Pull  Awe   Crest   Era   Forte   Grip   B3D, SNCK Recessed (Satin Nickel Only) 	BWT Bone White CHLK Chalk MSL Luster Grey BKO Onyx SNCK Satin Nickel

**HOW TO ORDER**

SPECIFY: Exterior chassis finish | drawer finish | drawer edge finish | pull | pull finish. See page 11 for a complete offering of finishes.

**MODEL NUMBER**

MM-151824HBCWP

Exterior Chassis Finish	Drawer Finish	Drawer Edge Finish	Pull	Pull Finish
NW2	NW2	NW2	Awe	MSL

**WALL HANGING BASE CABINETS SINGLE**

- 1 pullout shelf
- May be installed alone or with multiple base cabinets
- Work Surfaces (sold separately) are attached to top of cabinet




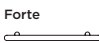


**WALL HANGING BASE CABINET WITH PULLOUT SHELF**



**18.25" DEEP MODELS**

model	w	d	h	wt	cu ft	List
MM-181824HBCP	18	18.25	24	35	6.1	\$ 878
MM-211824HBCP	21	18.25	24	40	7.0	\$ 906
MM-241824HBCP	24	18.25	24	45	7.9	\$ 922
MM-271824HBCP	27	18.25	24	50	8.8	\$ 972
MM-301824HBCP	30	18.25	24	55	9.8	\$ 1,021
MM-331824HBCP	33	18.25	24	60	10.7	\$ 1,044
MM-361824HBCP	36	18.25	24	65	11.6	\$ 1,068
MM-181829HBCP	18	18.25	29	40	7.3	\$ 904
MM-211829HBCP	21	18.25	29	45	8.4	\$ 933
MM-241829HBCP	24	18.25	29	50	9.4	\$ 950
MM-271829HBCP	27	18.25	29	55	10.5	\$ 1,002
MM-301829HBCP	30	18.25	29	60	11.6	\$ 1,052
MM-331829HBCP	33	18.25	29	65	12.7	\$ 1,076
MM-361829HBCP	36	18.25	29	70	13.8	\$ 1,100
MM-181832HBCP	18	18.25	32	45	8.0	\$ 923
MM-211832HBCP	21	18.25	32	50	9.2	\$ 965
MM-241832HBCP	24	18.25	32	55	10.4	\$ 988
MM-271832HBCP	33	18.25	32	60	13.9	\$ 1,051
MM-301832HBCP	30	18.25	32	65	12.8	\$ 1,115
MM-331832HBCP	33	18.25	32	70	13.9	\$ 1,162
MM-361832HBCP	36	18.25	32	75	15.1	\$ 1,208

**OPTIONS**

Exterior Chassis Finish	Drawer Finish	Drawer Edge Finish	Pull	Pull Finish
TFL Woodgrain Laminate <i>Quartered</i> QE2 DS2 PC2 EN2 CO2 ST2 NW2 <i>Flat Cut</i> LC2 KD2 MH2 MC2 VM2 LM2 BU2 BE2 QR2 <i>Textured Laminate</i> (10% upcharge) NG2 NH2 TFL Solid Color Laminate BL2 GR2 SG2 FW2 RW2	TFL Woodgrain Laminate <i>Quartered</i> QE2 DS2 PC2 EN2 CO2 ST2 NW2 <i>Flat Cut</i> LC2 KD2 MH2 MC2 VM2 LM2 BU2 BE2 QR2 <i>Textured Laminate</i> (10% upcharge) NG2 NH2 TFL Solid Color Laminate BL2 GR2 SG2 FW2 RW2	TFL Woodgrain Laminate <i>Quartered</i> QE2 DS2 PC2 EN2 CO2 ST2 NW2 <i>Flat Cut</i> LC2 KD2 MH2 MC2 VM2 LM2 BU2 BE2 QR2 <i>Textured Laminate</i> (10% upcharge) NG2 NH2 TFL Solid Color Laminate BL2 GR2 SG2 FW2 RW2	AS No Pull  Awe   Crest   Era   Forte   Grip   B3D, SNCK Recessed (Satin Nickel Only) 	BWT Bone White CHLK Chalk MSL Luster Grey BKO Onyx SNCK Satin Nickel

**HOW TO ORDER**

SPECIFY: Exterior chassis finish | drawer finish | drawer edge finish | pull | pull finish. See page 11 for a complete offering of finishes.

**MODEL NUMBER**

MM-181824HBCP

Exterior Chassis Finish	Drawer Finish	Drawer Edge Finish	Pull	Pull Finish
NW2	NW2	NW2	Awe	MSL

**WALL HANGING BASE CABINETS SINGLE (CONT.)**

- 1 pullout shelf
- May be installed alone or with multiple base cabinets
- Work Surfaces (sold separately) are attached to top of cabinet







**WALL HANGING BASE CABINET WITH PULLOUT SHELF**



**24.25" DEEP MODELS**

model	w	d	h	wt	cu ft	List
MM-182424HBCP	18	24.25	24	40	7.9	\$ 983
MM-212424HBCP	21	24.25	24	45	9.1	\$ 1,009
MM-242424HBCP	24	24.25	24	50	10.3	\$ 1,020
MM-272424HBCP	27	24.25	24	55	11.5	\$ 1,077
MM-302424HBCP	30	24.25	24	60	12.6	\$ 1,135
MM-332424HBCP	33	24.25	24	65	13.8	\$ 1,179
MM-362424HBCP	36	24.25	24	70	15.0	\$ 1,224
MM-182429HBCP	18	24.25	29	45	9.4	\$ 1,013
MM-212429HBCP	21	24.25	29	50	10.8	\$ 1,040
MM-242429HBCP	24	24.25	29	55	12.2	\$ 1,051
MM-272429HBCP	27	24.25	29	60	13.7	\$ 1,110
MM-302429HBCP	30	24.25	29	65	15.1	\$ 1,170
MM-332429HBCP	33	24.25	29	70	16.5	\$ 1,215
MM-362429HBCP	36	24.25	29	75	17.9	\$ 1,261
MM-182432HBCP	18	24.25	32	50	10.3	\$ 1,054
MM-212432HBCP	21	24.25	32	55	11.9	\$ 1,061
MM-242432HBCP	24	24.25	32	60	13.4	\$ 1,111
MM-272432HBCP	33	24.25	32	65	18.1	\$ 1,172
MM-302432HBCP	30	24.25	32	70	16.5	\$ 1,231
MM-332432HBCP	33	24.25	32	75	18.1	\$ 1,274
MM-362432HBCP	36	24.25	32	80	19.6	\$ 1,317

**OPTIONS**

Exterior Chassis Finish	Drawer Finish	Drawer Edge Finish	Pull	Pull Finish
TFL Woodgrain Laminate <i>Quartered</i> QE2 DS2 PC2 EN2 CO2 ST2 NW2 <i>Flat Cut</i> LC2 KD2 MH2 MC2 VM2 LM2 BU2 BE2 QR2 <i>Textured Laminate</i> (10% upcharge) NG2 NH2 TFL Solid Color Laminate BL2 GR2 SG2 FW2 RW2	TFL Woodgrain Laminate <i>Quartered</i> QE2 DS2 PC2 EN2 CO2 ST2 NW2 <i>Flat Cut</i> LC2 KD2 MH2 MC2 VM2 LM2 BU2 BE2 QR2 <i>Textured Laminate</i> (10% upcharge) NG2 NH2 TFL Solid Color Laminate BL2 GR2 SG2 FW2 RW2	TFL Woodgrain Laminate <i>Quartered</i> QE2 DS2 PC2 EN2 CO2 ST2 NW2 <i>Flat Cut</i> LC2 KD2 MH2 MC2 VM2 LM2 BU2 BE2 QR2 <i>Textured Laminate</i> (10% upcharge) NG2 NH2 TFL Solid Color Laminate BL2 GR2 SG2 FW2 RW2	AS No Pull  Awe   Crest   Era   Forte   Grip   B3D, SNCK Recessed (Satin Nickel Only) 	BWT Bone White CHLK Chalk MSL Luster Grey BKO Onyx SNCK Satin Nickel

**HOW TO ORDER**

SPECIFY: Exterior chassis finish | drawer finish | drawer edge finish | pull | pull finish. See page 11 for a complete offering of finishes.

**MODEL NUMBER**

MM-182424HBCP

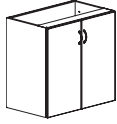
Exterior Chassis Finish	Drawer Finish	Drawer Edge Finish	Pull	Pull Finish
NW2	NW2	NW2	Awe	MSL



**WALL HANGING BASE CABINETS DOUBLE**

- 2 full hinged doors
- May be installed alone or with multiple base cabinets
- Work Surfaces (sold separately) are attached to top of cabinet
- All Mile Marker cabinetry is required to be anchored to a wall or floor. Installation hardware is not included with cabinets.

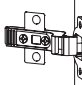
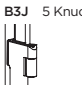

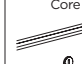

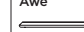


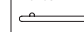


**WALL HANGING BASE CABINET WITH DOORS**



**14" DEEP MODELS**

model	w	d	h	wt	cu ft	List
MM-271414HBCD	27	14	14.5	27	4.4	\$ 612
MM-301414HBCD	30	14	14.5	34	4.9	\$ 652
MM-331414HBCD	33	14	14.5	33	5.3	\$ 641
MM-361414HBCD	36	14	14.5	36	5.8	\$ 680
MM-271416HBCD	27	14	16	31	4.8	\$ 623
MM-301416HBCD	30	14	16	38	5.3	\$ 662
MM-331416HBCD	33	14	16	37	5.8	\$ 649
MM-361416HBCD	36	14	16	40	6.3	\$ 690
MM-271424HBCD	27	14	24	36	7.0	\$ 656
MM-301424HBCD	30	14	24	39	7.7	\$ 672
MM-331424HBCD	33	14	24	42	8.4	\$ 690
MM-361424HBCD	36	14	24	45	9.1	\$ 705
MM-271429HBCD	27	14	29	39	8.3	\$ 690
MM-301429HBCD	30	14	29	34	9.2	\$ 734
MM-331429HBCD	33	14	29	45	10.0	\$ 728
MM-361429HBCD	36	14	29	36	10.9	\$ 773
MM-271432HBCD	27	14	32	43	9.1	\$ 769
MM-301432HBCD	30	14	32	38	10.1	\$ 816
MM-331432HBCD	33	14	32	49	11.0	\$ 815
MM-361432HBCD	36	14	32	40	12.0	\$ 865

**OPTIONS**

Exterior Chassis Finish	Door Finish	Door Edge Finish	Hinge	Shelf	Lock	Pull	Pull Finish
TFL Woodgrain Laminate <i>Quartered</i> QE2 DS2 PC2 EN2 CO2 ST2 NW2 <i>Flat Cut</i> LC2 KD2 MH2 MC2 VM2 LM2 BU2 BE2 QR2 <i>Textured Laminate (10% upcharge)</i> NG2 NH2  TFL Solid Color Laminate BL2 GR2 SG2 FW2 RW2	TFL Woodgrain Laminate <i>Quartered</i> QE2 DS2 PC2 EN2 CO2 ST2 NW2 <i>Flat Cut</i> LC2 KD2 MH2 MC2 VM2 LM2 BU2 BE2 QR2 <i>Textured Laminate (10% upcharge)</i> NG2 NH2  TFL Solid Color Laminate BL2 GR2 SG2 FW2 RW2	TFL Woodgrain Laminate <i>Quartered</i> QE2 DS2 PC2 EN2 CO2 ST2 NW2 <i>Flat Cut</i> LC2 KD2 MH2 MC2 VM2 LM2 BU2 BE2 QR2 <i>Textured Laminate (10% upcharge)</i> NG2 NH2  TFL Solid Color Laminate BL2 GR2 SG2 FW2 RW2	<b>B3G</b> Euro Soft Close Standard   <b>B3J</b> 5 Knuckle   <b>B3H</b> Euro Knuckle \$87 	<b>X9</b> None <b>Standard</b> <b>B3N</b> Fixed <b>\$86</b> <b>R8</b> Adjustable <b>\$86</b>	<b>NL</b> No Lock - <b>Standard</b> <b>LCK1</b> Requires 1 Lock Core <b>\$77</b>   <b>B3E</b> Keyless <b>\$568</b>   <b>NOTE:</b> LCK Locks ordered separately on page 5.	<b>AS</b> No Pull  <b>Awe</b>   <b>Crest</b>   <b>Era</b>   <b>Forte</b>   <b>Grip</b>   <b>B3D, SNCK</b> Recessed (Satin Nickel Only) 	<b>BWT</b> Bone White <b>CHLK</b> Chalk <b>MSL</b> Luster Grey <b>BKO</b> Onyx <b>SNCK</b> Satin Nickel

**HOW TO ORDER**

SPECIFY: Exterior chassis finish | door finish | door edge finish | hinge | shelf | lock | pull | pull finish. See page 11 for a complete offering of finishes.

**MODEL NUMBER**

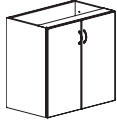
MM-271414HBCD

Exterior Chassis Finish	Door Finish	Door Edge Finish	Hinge	Shelf	Lock	Pull	Pull Finish
NW2	NW2	NW2	B3G	R8	LCK1	Awe	MSL

**WALL HANGING BASE CABINETS DOUBLE (CONT.)**

- 2 full hinged doors
- May be installed alone or with multiple base cabinets
- Work Surfaces (sold separately) are attached to top of cabinet
- All Mile Marker cabinetry is required to be anchored to a wall or floor. Installation hardware is not included with cabinets.

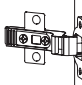

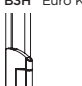
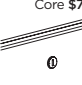







**WALL HANGING BASE CABINET WITH DOORS**



**18.25" DEEP MODELS**

model	w	d	h	wt	cu ft	List
MM-271814HB	27	18.25	14.5	29	5.6	\$ 704
MM-301814HB	30	18.25	14.5	34	6.2	\$ 744
MM-331814HB	33	18.25	14.5	35	6.8	\$ 733
MM-361814HB	36	18.25	14.5	36	7.3	\$ 774
MM-271816HB	27	18.25	16	33	6.1	\$ 714
MM-301816HB	30	18.25	16	38	6.8	\$ 754
MM-331816HB	33	18.25	16	39	7.4	\$ 744
MM-361816HB	36	18.25	16	40	8.0	\$ 785
MM-271824HB	27	18.25	24	37	8.8	\$ 751
MM-301824HB	30	18.25	24	40	9.8	\$ 767
MM-331824HB	33	18.25	24	43	10.7	\$ 784
MM-361824HB	36	18.25	24	46	11.6	\$ 801
MM-271829HB	27	18.25	29	41	10.5	\$ 786
MM-301829HB	30	18.25	29	34	11.6	\$ 830
MM-331829HB	33	18.25	29	47	12.7	\$ 824
MM-361829HB	36	18.25	29	36	13.8	\$ 868
MM-271832HB	27	18.25	32	45	11.6	\$ 865
MM-301832HB	30	18.25	32	38	12.8	\$ 915
MM-331832HB	33	18.25	32	51	13.9	\$ 914
MM-361832HB	36	18.25	32	40	15.1	\$ 963

**OPTIONS**

Exterior Chassis Finish	Door Finish	Door Edge Finish	Hinge	Shelf	Lock	Pull	Pull Finish
TFL Woodgrain Laminate <i>Quartered</i> QE2 DS2 PC2 EN2 CO2 ST2 NW2 <i>Flat Cut</i> LC2 KD2 MH2 MC2 VM2 LM2 BU2 BE2 QR2 <i>Textured Laminate (10% upcharge)</i> NG2 NH2  TFL Solid Color Laminate BL2 GR2 SG2 FW2 RW2	TFL Woodgrain Laminate <i>Quartered</i> QE2 DS2 PC2 EN2 CO2 ST2 NW2 <i>Flat Cut</i> LC2 KD2 MH2 MC2 VM2 LM2 BU2 BE2 QR2 <i>Textured Laminate (10% upcharge)</i> NG2 NH2  TFL Solid Color Laminate BL2 GR2 SG2 FW2 RW2	TFL Woodgrain Laminate <i>Quartered</i> QE2 DS2 PC2 EN2 CO2 ST2 NW2 <i>Flat Cut</i> LC2 KD2 MH2 MC2 VM2 LM2 BU2 BE2 QR2 <i>Textured Laminate (10% upcharge)</i> NG2 NH2  TFL Solid Color Laminate BL2 GR2 SG2 FW2 RW2	<b>B3G</b> Euro Soft Close Standard   <b>B3J</b> 5 Knuckle   <b>B3H</b> Euro Knuckle \$87 	<b>X9</b> None <b>Standard</b> <b>B3N</b> Fixed <b>\$86</b> <b>R8</b> Adjustable <b>\$86</b>	<b>NL</b> No Lock - <b>Standard</b> <b>LCK1</b> Requires 1 Lock Core <b>\$77</b>   <b>B3E</b> Keyless <b>\$568</b>   <b>NOTE:</b> LCK Locks ordered separately on page 5.	<b>AS</b> No Pull  <b>Awe</b>   <b>Crest</b>   <b>Era</b>   <b>Forte</b>   <b>Grip</b>   <b>B3D, SNCK</b> Recessed (Satin Nickel Only) 	<b>BWT</b> Bone White <b>CHLK</b> Chalk <b>MSL</b> Luster Grey <b>BKO</b> Onyx <b>SNCK</b> Satin Nickel

**HOW TO ORDER**

SPECIFY: Exterior chassis finish | door finish | door edge finish | hinge | shelf | lock | pull | pull finish. See page 11 for a complete offering of finishes.

**MODEL NUMBER**

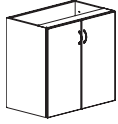
MM-271814HB

Exterior Chassis Finish	Door Finish	Door Edge Finish	Hinge	Shelf	Lock	Pull	Pull Finish
NW2	NW2	NW2	B3G	R8	LCK1	Awe	MSL

**WALL HANGING BASE CABINETS DOUBLE (CONT.)**

- 2 full hinged doors
- May be installed alone or with multiple base cabinets
- Work Surfaces (sold separately) are attached to top of cabinet
- All Mile Marker cabinetry is required to be anchored to a wall or floor. Installation hardware is not included with cabinets.

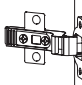

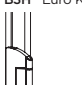
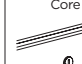



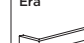



**WALL HANGING BASE CABINET WITH DOORS**



**24.25" DEEP MODELS**

model	w	d	h	wt	cu ft	List
MM-272414HB	27	24.25	14.5	31	7.3	\$ 806
MM-302414HB	30	24.25	14.5	39	8.0	\$ 849
MM-332414HB	33	24.25	14.5	37	8.8	\$ 839
MM-362414HB	36	24.25	14.5	41	9.5	\$ 883
MM-272416HB	27	24.25	16	35	7.9	\$ 820
MM-302416HB	30	24.25	16	41	8.8	\$ 861
MM-332416HB	33	24.25	16	41	9.6	\$ 853
MM-362416HB	36	24.25	16	43	10.4	\$ 895
MM-272424HB	27	24.25	24	39	11.5	\$ 858
MM-302424HB	30	24.25	24	42	12.6	\$ 876
MM-332424HB	33	24.25	24	45	13.8	\$ 893
MM-362424HB	36	24.25	24	48	15.0	\$ 912
MM-272429HB	27	24.25	29	43	13.7	\$ 894
MM-302429HB	30	24.25	29	39	15.1	\$ 940
MM-332429HB	33	24.25	29	49	16.5	\$ 934
MM-362429HB	36	24.25	29	41	17.9	\$ 979
MM-272432HB	27	24.25	32	47	15.0	\$ 975
MM-302432HB	30	24.25	32	41	16.5	\$ 1,024
MM-332432HB	33	24.25	32	53	18.1	\$ 1,023
MM-362432HB	36	24.25	32	43	19.6	\$ 1,073

**OPTIONS**

Exterior Chassis Finish	Door Finish	Door Edge Finish	Hinge	Shelf	Lock	Pull	Pull Finish
TFL Woodgrain Laminate <i>Quartered</i> QE2 DS2 PC2 EN2 CO2 ST2 NW2 <i>Flat Cut</i> LC2 KD2 MH2 MC2 VM2 LM2 BU2 BE2 QR2 <i>Textured Laminate (10% upcharge)</i> NG2 NH2  TFL Solid Color Laminate BL2 GR2 SG2 FW2 RW2	TFL Woodgrain Laminate <i>Quartered</i> QE2 DS2 PC2 EN2 CO2 ST2 NW2 <i>Flat Cut</i> LC2 KD2 MH2 MC2 VM2 LM2 BU2 BE2 QR2 <i>Textured Laminate (10% upcharge)</i> NG2 NH2  TFL Solid Color Laminate BL2 GR2 SG2 FW2 RW2	TFL Woodgrain Laminate <i>Quartered</i> QE2 DS2 PC2 EN2 CO2 ST2 NW2 <i>Flat Cut</i> LC2 KD2 MH2 MC2 VM2 LM2 BU2 BE2 QR2 <i>Textured Laminate (10% upcharge)</i> NG2 NH2  TFL Solid Color Laminate BL2 GR2 SG2 FW2 RW2	<b>B3G</b> Euro Soft Close Standard   <b>B3J</b> 5 Knuckle   <b>B3H</b> Euro Knuckle \$87 	<b>X9</b> None <b>Standard</b> <b>B3N</b> Fixed <b>\$86</b> <b>R8</b> Adjustable <b>\$86</b>	<b>NL</b> No Lock - <b>Standard</b> <b>LCK1</b> Requires 1 Lock Core <b>\$77</b>   <b>B3E</b> Keyless <b>\$568</b>   <b>NOTE:</b> LCK Locks ordered separately on page 5.	<b>AS</b> No Pull  <b>Awe</b>   <b>Crest</b>   <b>Era</b>   <b>Forte</b>   <b>Grip</b>   <b>B3D, SNCK</b> Recessed (Satin Nickel Only) 	<b>BWT</b> Bone White <b>CHLK</b> Chalk <b>MSL</b> Luster Grey <b>BKO</b> Onyx <b>SNCK</b> Satin Nickel

**HOW TO ORDER**

SPECIFY: Exterior chassis finish | door finish | door edge finish | hinge | shelf | lock | pull | pull finish. See page 11 for a complete offering of finishes.

**MODEL NUMBER**

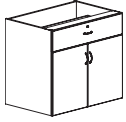
MM-272414HB

Exterior Chassis Finish	Door Finish	Door Edge Finish	Hinge	Shelf	Lock	Pull	Pull Finish
NW2	NW2	NW2	B3G	R8	LCK1	Awe	MSL

**WALL HANGING BASE CABINETS DOUBLE**

- 1 drawer
- 2 full hinged doors
- Lock Options for Top Drawer only
- May be installed alone or with multiple base cabinets
- Work Surfaces (sold separately) are attached to top of cabinet
- All Mile Marker cabinetry is required to be anchored to a wall or floor. Installation hardware is not included with cabinets.

**WALL HANGING BASE CABINET WITH 2 DOORS AND 1 DRAWER  
14" DEEP MODELS**



model	w	d	h	wt	cu ft	List
MM-271424HBCDD	27	14	24	61	7.0	\$ 719
MM-301424HBCDD	30	14	24	64	7.7	\$ 739
MM-331424HBCDD	33	14	24	67	8.4	\$ 760
MM-361424HBCDD	36	14	24	70	9.1	\$ 782
MM-271429HBCDD	27	14	29	71	8.3	\$ 740
MM-301429HBCDD	30	14	29	75	9.2	\$ 826
MM-331429HBCDD	33	14	29	77	10.0	\$ 784
MM-361429HBCDD	36	14	29	80	10.9	\$ 869
MM-271432HBCDD	27	14	32	81	9.1	\$ 877
MM-301432HBCDD	30	14	32	85	10.1	\$ 966
MM-331432HBCDD	33	14	32	87	11.0	\$ 929
MM-361432HBCDD	36	14	32	90	12.0	\$ 1,020

**OPTIONS**

Exterior Chassis Finish	Door/Drawer Finish	Door/Drawer Edge Finish	Hinge	Shelf	Lock	Pull	Pull Finish	Removable Drawer Liners
TFL Woodgrain Laminate <i>Quartered</i> QE2 DS2 PC2 EN2 CO2 ST2 NW2 <i>Flat Cut</i> LC2 KD2 MH2 MC2 VM2 LM2 BU2 BE2 QR2 <i>Textured Laminate (10% upcharge)</i> NG2 NH2 TFL Solid Color Laminate BL2 GR2 SG2 FW2 RW2	TFL Woodgrain Laminate <i>Quartered</i> QE2 DS2 PC2 EN2 CO2 ST2 NW2 <i>Flat Cut</i> LC2 KD2 MH2 MC2 VM2 LM2 BU2 BE2 QR2 <i>Textured Laminate (10% upcharge)</i> NG2 NH2 TFL Solid Color Laminate BL2 GR2 SG2 FW2 RW2	TFL Woodgrain Laminate <i>Quartered</i> QE2 DS2 PC2 EN2 CO2 ST2 NW2 <i>Flat Cut</i> LC2 KD2 MH2 MC2 VM2 LM2 BU2 BE2 QR2 <i>Textured Laminate (10% upcharge)</i> NG2 NH2 TFL Solid Color Laminate BL2 GR2 SG2 FW2 RW2	B3G Euro Soft Close Standard  B3J 5 Knuckle  B3H Euro Knuckle \$87 	X9 None Standard B3N Fixed \$86 R8 Adjustable \$86	NL No Lock - Standard LCK1 Requires 1 Lock Core \$77  B3E Keyless \$338  NOTE: LCK Locks ordered separately on page 5.	AS No Pull Awe  Crest  Era  Forte  Grip  B3D, SNCK Recessed (Satin Nickel Only) 	BWT Bone White Chalk CHLK Chalk MSL Luster Grey BKO Onyx SNCK Satin Nickel	Q3 None Q4 One Liner \$80

**HOW TO ORDER**

SPECIFY: Exterior chassis finish | door/drawer finish | door/drawer edge finish | hinge | shelf | lock | pull | pull finish | removable drawer liners. See page 11 for a complete offering of finishes.

**MODEL NUMBER**

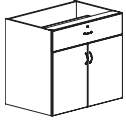
MM-271424HBCDD

Exterior Chassis Finish	Door/Drawer Finish	Door/Drawer Edge Finish	Hinge	Shelf	Lock	Pull	Pull Finish	Removable Drawer Liners
NW2	NW2	NW2	B3G	R8	LCK1	Awe	MSL	Q4

**WALL HANGING BASE CABINETS DOUBLE (CONT.)**

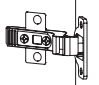

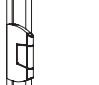

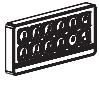






- 1 drawer
- 2 full hinged doors
- Lock Options for Top Drawer only
- May be installed alone or with multiple base cabinets
- Work Surfaces (sold separately) are attached to top of cabinet
- All Mile Marker cabinetry is required to be anchored to a wall or floor. Installation hardware is not included with cabinets.

**WALL HANGING BASE CABINET WITH 2 DOORS AND 1 DRAWER  
18.25" DEEP MODELS**



model	w	d	h	wt	cu ft	List
MM-271824HBCDD	27	18.25	24	66	8.8	\$ 880
MM-301824HBCDD	30	18.25	24	69	9.8	\$ 907
MM-331824HBCDD	33	18.25	24	72	10.7	\$ 934
MM-361824HBCDD	36	18.25	24	75	11.6	\$ 962
MM-271829HBCDD	27	18.25	29	76	10.5	\$ 907
MM-301829HBCDD	30	18.25	29	80	11.6	\$ 998
MM-331829HBCDD	33	18.25	29	82	12.7	\$ 963
MM-361829HBCDD	36	18.25	29	85	13.8	\$ 1,055
MM-271832HBCDD	27	18.25	32	86	11.6	\$ 1,059
MM-301832HBCDD	30	18.25	32	90	12.8	\$ 1,153
MM-331832HBCDD	33	18.25	32	92	13.9	\$ 1,119
MM-361832HBCDD	36	18.25	32	95	15.1	\$ 1,212

**OPTIONS**

Exterior Chassis Finish	Door/Drawer Finish	Door/Drawer Edge Finish	Hinge	Shelf	Lock	Pull	Pull Finish	Removable Drawer Liners
TFL Woodgrain Laminate <i>Quartered</i> QE2 DS2 PC2 EN2 CO2 ST2 NW2 <i>Flat Cut</i> LC2 KD2 MH2 MC2 VM2 LM2 BU2 BE2 QR2 <i>Textured Laminate (10% upcharge)</i> NG2 NH2 TFL Solid Color Laminate BL2 GR2 SG2 FW2 RW2	TFL Woodgrain Laminate <i>Quartered</i> QE2 DS2 PC2 EN2 CO2 ST2 NW2 <i>Flat Cut</i> LC2 KD2 MH2 MC2 VM2 LM2 BU2 BE2 QR2 <i>Textured Laminate (10% upcharge)</i> NG2 NH2 TFL Solid Color Laminate BL2 GR2 SG2 FW2 RW2	TFL Woodgrain Laminate <i>Quartered</i> QE2 DS2 PC2 EN2 CO2 ST2 NW2 <i>Flat Cut</i> LC2 KD2 MH2 MC2 VM2 LM2 BU2 BE2 QR2 <i>Textured Laminate (10% upcharge)</i> NG2 NH2 TFL Solid Color Laminate BL2 GR2 SG2 FW2 RW2	B3G Euro Soft Close Standard  B3J 5 Knuckle  B3H Euro Knuckle \$87 	X9 None Standard B3N Fixed \$86 R8 Adjustable \$86	NL No Lock - Standard LCK1 Requires 1 Lock Core \$77  B3E Keyless \$338  NOTE: LCK Locks ordered separately on page 5.	AS No Pull Awe  Crest  Era  Forte  Grip  B3D, SNCK Recessed (Satin Nickel Only) 	BWT Bone White Chalk CHLK Chalk MSL Luster Grey BKO Onyx SNCK Satin Nickel	Q3 None Q4 One Liner \$80

**HOW TO ORDER**

SPECIFY: Exterior chassis finish | door/drawer finish | door/drawer edge finish | hinge | shelf | lock | pull | pull finish | removable drawer liners. See page 11 for a complete offering of finishes.

**MODEL NUMBER**

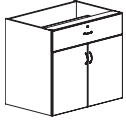
MM-271824HBCDD

Exterior Chassis Finish	Door/Drawer Finish	Door/Drawer Edge Finish	Hinge	Shelf	Lock	Pull	Pull Finish	Removable Drawer Liners
NW2	NW2	NW2	B3G	R8	LCK1	Awe	MSL	Q4

**WALL HANGING BASE CABINETS DOUBLE (CONT.)**

- 1 drawer
- 2 full hinged doors
- Lock Options for Top Drawer only
- May be installed alone or with multiple base cabinets
- Work Surfaces (sold separately) are attached to top of cabinet
- All Mile Marker cabinetry is required to be anchored to a wall or floor. Installation hardware is not included with cabinets.

**WALL HANGING BASE CABINET WITH 2 DOORS AND 1 DRAWER**



**24.25" DEEP MODELS**

model	w	d	h	wt	cu ft	List
MM-272424HBCDD	27	24.25	24	71	11.5	\$ 1,075
MM-302424HBCDD	30	24.25	24	74	12.6	\$ 1,110
MM-332424HBCDD	33	24.25	24	77	13.8	\$ 1,147
MM-362424HBCDD	36	24.25	24	80	15.0	\$ 1,183
MM-272429HBCDD	27	24.25	29	81	13.7	\$ 1,108
MM-302429HBCDD	30	24.25	29	80	15.1	\$ 1,209
MM-332429HBCDD	33	24.25	29	87	16.5	\$ 1,182
MM-362429HBCDD	36	24.25	29	85	17.9	\$ 1,284
MM-272432HBCDD	27	24.25	32	91	15.0	\$ 1,183
MM-302432HBCDD	30	24.25	32	90	16.5	\$ 1,271
MM-332432HBCDD	33	24.25	32	97	18.1	\$ 1,232
MM-362432HBCDD	36	24.25	32	95	19.6	\$ 1,321

**OPTIONS**

Exterior Chassis Finish	Door/Drawer Finish	Door/Drawer Edge Finish	Hinge	Shelf	Lock	Pull	Pull Finish	Removable Drawer Liners
TFL Woodgrain Laminate <i>Quartered</i> QE2 DS2 PC2 EN2 CO2 ST2 NW2 <i>Flat Cut</i> LC2 KD2 MH2 MC2 VM2 LM2 BU2 BE2 QR2 <i>Textured Laminate (10% upcharge)</i> NG2 NH2 TFL Solid Color Laminate BL2 GR2 SG2 FW2 RW2	TFL Woodgrain Laminate <i>Quartered</i> QE2 DS2 PC2 EN2 CO2 ST2 NW2 <i>Flat Cut</i> LC2 KD2 MH2 MC2 VM2 LM2 BU2 BE2 QR2 <i>Textured Laminate (10% upcharge)</i> NG2 NH2 TFL Solid Color Laminate BL2 GR2 SG2 FW2 RW2	TFL Woodgrain Laminate <i>Quartered</i> QE2 DS2 PC2 EN2 CO2 ST2 NW2 <i>Flat Cut</i> LC2 KD2 MH2 MC2 VM2 LM2 BU2 BE2 QR2 <i>Textured Laminate (10% upcharge)</i> NG2 NH2 TFL Solid Color Laminate BL2 GR2 SG2 FW2 RW2	B3G Euro Soft Close Standard  B3J 5 Knuckle  B3H Euro Knuckle \$87	X9 None Standard B3N Fixed \$86 R8 Adjustable \$86	NL No Lock - Standard LCK1 Requires 1 Lock Core \$77  B3E Keyless \$338  NOTE: LCK Locks ordered separately on page 5.	AS No Pull Awe  Crest  Era  Forte  Grip  B3D, SNCK Recessed (Satin Nickel Only) 	BWT Bone White Chalk CHLK Chalk MSL Luster Grey BKO Onyx SNCK Satin Nickel	Q3 None Q4 One Liner \$80

**HOW TO ORDER**

SPECIFY: Exterior chassis finish | door/drawer finish | door/drawer edge finish | hinge | shelf | lock | pull | pull finish | removable drawer liners. See page 11 for a complete offering of finishes.

**MODEL NUMBER**

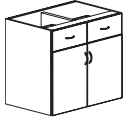
MM-272424HBCDD

Exterior Chassis Finish	Door/Drawer Finish	Door/Drawer Edge Finish	Hinge	Shelf	Lock	Pull	Pull Finish	Removable Drawer Liners
NW2	NW2	NW2	B3G	R8	LCK1	Awe	MSL	Q4

**WALL HANGING BASE CABINETS DOUBLE**

- 2 drawers
- 2 full hinged doors
- Lock Options for Top Drawers only
- May be installed alone or with multiple base cabinets
- Work Surfaces (sold separately) are attached to top of cabinet
- All Mile Marker cabinetry is required to be anchored to a wall or floor. Installation hardware is not included with cabinets.

**WALL HANGING BASE CABINET WITH 2 DOORS AND 2 DRAWERS**  
**14" DEEP MODELS**



model	w	d	h	wt	cu ft	List
MM-271424HBCDD2	27	14	24	61	7.0	\$ 777
MM-301424HBCDD2	30	14	24	64	7.7	\$ 802
MM-331424HBCDD2	33	14	24	67	8.4	\$ 828
MM-361424HBCDD2	36	14	24	70	9.1	\$ 854
MM-271429HBCDD2	27	14	29	71	8.3	\$ 801
MM-301429HBCDD2	30	14	29	75	9.2	\$ 891
MM-331429HBCDD2	33	14	29	77	10.0	\$ 854
MM-361429HBCDD2	36	14	29	80	10.9	\$ 944
MM-271432HBCDD2	27	14	32	81	9.1	\$ 954
MM-301432HBCDD2	30	14	32	85	10.1	\$ 1,048
MM-331432HBCDD2	33	14	32	87	11.0	\$ 1,016
MM-361432HBCDD2	36	14	32	90	12.0	\$ 1,111

**OPTIONS**

Exterior Chassis Finish	Door/Drawer Finish	Door/Drawer Edge Finish	Hinge	Shelf	Lock	Pull	Pull Finish	Removable Drawer Liners
TFL Woodgrain Laminate <i>Quartered</i> QE2 DS2 PC2 EN2 CO2 ST2 NW2 <i>Flat Cut</i> LC2 KD2 MH2 MC2 VM2 LM2 BU2 BE2 QR2 Textured Laminate (10% upcharge) NG2 NH2 TFL Solid Color Laminate BL2 GR2 SG2 FW2 RW2	TFL Woodgrain Laminate <i>Quartered</i> QE2 DS2 PC2 EN2 CO2 ST2 NW2 <i>Flat Cut</i> LC2 KD2 MH2 MC2 VM2 LM2 BU2 BE2 QR2 Textured Laminate (10% upcharge) NG2 NH2 TFL Solid Color Laminate BL2 GR2 SG2 FW2 RW2	TFL Woodgrain Laminate <i>Quartered</i> QE2 DS2 PC2 EN2 CO2 ST2 NW2 <i>Flat Cut</i> LC2 KD2 MH2 MC2 VM2 LM2 BU2 BE2 QR2 Textured Laminate (10% upcharge) NG2 NH2 TFL Solid Color Laminate BL2 GR2 SG2 FW2 RW2	B3G Euro Soft Close Standard  B3J 5 Knuckle  B3H Euro Knuckle \$87 	X9 None Standard B3N Fixed \$86 R8 Adjustable \$86	NL No Lock - Standard LCK2 Requires 2 Lock Cores \$154  B3E Keyless \$568  NOTE: LCK Locks ordered separately on page 5.	AS No Pull Awe  Crest  Era  Forte  Grip  B3D, SNCK Recessed (Satin Nickel Only) 	BWT Bone White CHLK Chalk MSL Luster Grey BKO Onyx SNCK Satin Nickel	Q3 None Q4 One Liner \$80 Q5 Two Liners \$160

**HOW TO ORDER**

SPECIFY: Exterior chassis finish | door/drawer finish | door/drawer edge finish | hinge | shelf | lock | pull | pull finish | removable drawer liners. See page 11 for a complete offering of finishes.

**MODEL NUMBER**

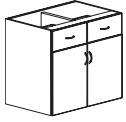
MM-271424HBCDD2

Exterior Chassis Finish	Door/Drawer Finish	Door/Drawer Edge Finish	Hinge	Shelf	Lock	Pull	Pull Finish	Removable Drawer Liners
NW2	NW2	NW2	B3G	R8	LCK1	Awe	MSL	Q4

**WALL HANGING BASE CABINETS DOUBLE (CONT.)**

- 2 drawers
- 2 full hinged doors
- Lock Options for Top Drawers only
- May be installed alone or with multiple base cabinets
- Work Surfaces (sold separately) are attached to top of cabinet
- All Mile Marker cabinetry is required to be anchored to a wall or floor. Installation hardware is not included with cabinets.

**WALL HANGING BASE CABINET WITH 2 DOORS AND 2 DRAWERS**



**18.25" DEEP MODELS**

model	w	d	h	wt	cu ft	List
MM-271824HBCDD2	27	18.25	24	66	8.8	\$ 927
MM-301824HBCDD2	30	18.25	24	69	9.8	\$ 956
MM-331824HBCDD2	33	18.25	24	72	10.7	\$ 987
MM-361824HBCDD2	36	18.25	24	75	11.6	\$ 1,017
MM-271829HBCDD2	27	18.25	29	76	10.5	\$ 955
MM-301829HBCDD2	30	18.25	29	75	11.6	\$ 1,049
MM-331829HBCDD2	33	18.25	29	82	12.7	\$ 1,017
MM-361829HBCDD2	36	18.25	29	80	13.8	\$ 1,112
MM-271832HBCDD2	27	18.25	32	86	11.6	\$ 1,119
MM-301832HBCDD2	30	18.25	32	85	12.8	\$ 1,213
MM-331832HBCDD2	33	18.25	32	92	13.9	\$ 1,179
MM-361832HBCDD2	36	18.25	32	90	15.1	\$ 1,273

**OPTIONS**

Exterior Chassis Finish	Door/Drawer Finish	Door/Drawer Edge Finish	Hinge	Shelf	Lock	Pull	Pull Finish	Removable Drawer Liners
TFL Woodgrain Laminate <i>Quartered</i> QE2 DS2 PC2 EN2 CO2 ST2 NW2 <i>Flat Cut</i> LC2 KD2 MH2 MC2 VM2 LM2 BU2 BE2 QR2 <i>Textured Laminate (10% upcharge)</i> NG2 NH2 TFL Solid Color Laminate BL2 GR2 SG2 FW2 RW2	TFL Woodgrain Laminate <i>Quartered</i> QE2 DS2 PC2 EN2 CO2 ST2 NW2 <i>Flat Cut</i> LC2 KD2 MH2 MC2 VM2 LM2 BU2 BE2 QR2 <i>Textured Laminate (10% upcharge)</i> NG2 NH2 TFL Solid Color Laminate BL2 GR2 SG2 FW2 RW2	TFL Woodgrain Laminate <i>Quartered</i> QE2 DS2 PC2 EN2 CO2 ST2 NW2 <i>Flat Cut</i> LC2 KD2 MH2 MC2 VM2 LM2 BU2 BE2 QR2 <i>Textured Laminate (10% upcharge)</i> NG2 NH2 TFL Solid Color Laminate BL2 GR2 SG2 FW2 RW2	B3G Euro Soft Close Standard  B3J 5 Knuckle  B3H Euro Knuckle \$87 	X9 None Standard B3N Fixed \$86 R8 Adjustable \$86	NL No Lock - Standard LCK2 Requires 2 Lock Cores \$154  B3E Keyless \$568  NOTE: LCK Locks ordered separately on page 5.	AS No Pull Awe  Crest  Era  Forte  Grip  B3D, SNCK Recessed (Satin Nickel Only) 	BWT Bone White CHLK Chalk MSL Luster Grey BKO Onyx SNCK Satin Nickel	Q3 None Q4 One Liner \$80 Q5 Two Liners \$160

**HOW TO ORDER**

SPECIFY: Exterior chassis finish | door/drawer finish | door/drawer edge finish | hinge | shelf | lock | pull | pull finish | removable drawer liners. See page 11 for a complete offering of finishes.

**MODEL NUMBER**

MM-271824HBCDD2

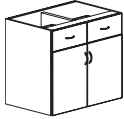
Exterior Chassis Finish	Door/Drawer Finish	Door/Drawer Edge Finish	Hinge	Shelf	Lock	Pull	Pull Finish	Removable Drawer Liners
NW2	NW2	NW2	B3G	R8	LCK1	Awe	MSL	Q4



**WALL HANGING BASE CABINETS DOUBLE (CONT.)**

- 2 drawers
- 2 full hinged doors
- Lock Options for Top Drawers only
- May be installed alone or with multiple base cabinets
- Work Surfaces (sold separately) are attached to top of cabinet
- All Mile Marker cabinetry is required to be anchored to a wall or floor. Installation hardware is not included with cabinets.

**WALL HANGING BASE CABINET WITH 2 DOORS AND 2 DRAWERS  
24.25" DEEP MODELS**



model	w	d	h	wt	cu ft	List
MM-272424HBCDD2	27	24.25	24	71	11.5	\$ 1,134
MM-302424HBCDD2	30	24.25	24	74	12.6	\$ 1,170
MM-332424HBCDD2	33	24.25	24	77	13.8	\$ 1,206
MM-362424HBCDD2	36	24.25	24	80	15.0	\$ 1,242
MM-272429HBCDD2	27	24.25	29	81	13.7	\$ 1,169
MM-302429HBCDD2	30	24.25	29	80	15.1	\$ 1,269
MM-332429HBCDD2	33	24.25	29	87	16.5	\$ 1,242
MM-362429HBCDD2	36	24.25	29	85	17.9	\$ 1,344
MM-272432HBCDD2	27	24.25	32	91	15.0	\$ 1,241
MM-302432HBCDD2	30	24.25	32	90	16.5	\$ 1,331
MM-332432HBCDD2	33	24.25	32	97	18.1	\$ 1,291
MM-362432HBCDD2	36	24.25	32	95	19.6	\$ 1,379

**OPTIONS**

Exterior Chassis Finish	Door/Drawer Finish	Door/Drawer Edge Finish	Hinge	Shelf	Lock	Pull	Pull Finish	Removable Drawer Liners
TFL Woodgrain Laminate <i>Quartered</i> QE2 DS2 PC2 EN2 CO2 ST2 NW2 <i>Flat Cut</i> LC2 KD2 MH2 MC2 VM2 LM2 BU2 BE2 QR2 <i>Textured Laminate (10% upcharge)</i> NG2 NH2 TFL Solid Color Laminate BL2 GR2 SG2 FW2 RW2	TFL Woodgrain Laminate <i>Quartered</i> QE2 DS2 PC2 EN2 CO2 ST2 NW2 <i>Flat Cut</i> LC2 KD2 MH2 MC2 VM2 LM2 BU2 BE2 QR2 <i>Textured Laminate (10% upcharge)</i> NG2 NH2 TFL Solid Color Laminate BL2 GR2 SG2 FW2 RW2	TFL Woodgrain Laminate <i>Quartered</i> QE2 DS2 PC2 EN2 CO2 ST2 NW2 <i>Flat Cut</i> LC2 KD2 MH2 MC2 VM2 LM2 BU2 BE2 QR2 <i>Textured Laminate (10% upcharge)</i> NG2 NH2 TFL Solid Color Laminate BL2 GR2 SG2 FW2 RW2	B3G Euro Soft Close Standard  B3J 5 Knuckle  B3H Euro Knuckle \$87 	X9 None Standard B3N Fixed \$86 R8 Adjustable \$86	NL No Lock - Standard LCK2 Requires 2 Lock Cores \$154  B3E Keyless \$568  NOTE: LCK Locks ordered separately on page 5.	AS No Pull Awe  Crest  Era  Forte  Grip  B3D, SNCK Recessed (Satin Nickel Only) 	BWT Bone White CHLK Chalk MSL Luster Grey BKO Onyx SNCK Satin Nickel	Q3 None Q4 One Liner \$80 Q5 Two Liners \$160

**HOW TO ORDER**

SPECIFY: Exterior chassis finish | door/drawer finish | door/drawer edge finish | hinge | shelf | lock | pull | pull finish | removable drawer liners. See page 11 for a complete offering of finishes.

**MODEL NUMBER**

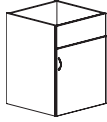
MM-272424HBCDD2

Exterior Chassis Finish	Door/Drawer Finish	Door/Drawer Edge Finish	Hinge	Shelf	Lock	Pull	Pull Finish	Removable Drawer Liners
NW2	NW2	NW2	B3G	R8	LCK1	Awe	MSL	Q4

**WALL HANGING BASE CABINETS SINK**

- 1 hinged door
- May be installed alone or with multiple base cabinets
- Work Surfaces (sold separately) are attached to top of cabinet
- Drain basket not included when a sink is provided
- All Mile Marker cabinetry is required to be anchored to a wall or floor. Installation hardware is not included with cabinets.

**WALL HANGING SINGLE SINK CABINET WITH DOOR**



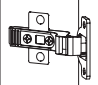

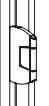
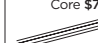



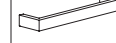
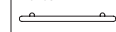


**18.25" DEEP MODELS**

model	exterior dimensions			interior dimensions		weight lbs.	cu ft.	list price
	w	d	h	w	d			
MM-241824HBSC	24	18.25	24	22.5	16.75	50	7.9	\$ 709
MM-241829HBSC	24	18.25	29	22.5	16.75	55	9.4	\$ 744
MM-241832HBSC	24	18.25	32	22.5	16.75	60	10.4	\$ 802

**24.25" DEEP MODELS**

model	exterior dimensions			interior dimensions		weight lbs.	cu ft.	list price
	w	d	h	w	d			
MM-242424HBSC	24	24.25	24	22.5	22.75	55	10.3	\$ 787
MM-242429HBSC	24	24.25	29	22.5	22.75	60	12.2	\$ 824
MM-242432HBSC	24	24.25	32	22.5	22.75	65	13.4	\$ 884

**OPTIONS**

Exterior Chassis Finish	Door Finish	Door Edge Finish	Hinge Location	Hinge	Lock	Pull	Pull Finish
TFL Woodgrain Laminate <i>Quartered</i> QE2 DS2 PC2 EN2 CO2 ST2 NW2 <i>Flat Cut</i> LC2 KD2 MH2 MC2 VM2 LM2 BU2 BE2 QR2 <i>Textured Laminate (10% upcharge)</i> NG2 NH2  TFL Solid Color Laminate BL2 GR2 SG2 FW2 RW2	TFL Woodgrain Laminate <i>Quartered</i> QE2 DS2 PC2 EN2 CO2 ST2 NW2 <i>Flat Cut</i> LC2 KD2 MH2 MC2 VM2 LM2 BU2 BE2 QR2 <i>Textured Laminate (10% upcharge)</i> NG2 NH2  TFL Solid Color Laminate BL2 GR2 SG2 FW2 RW2	TFL Woodgrain Laminate <i>Quartered</i> QE2 DS2 PC2 EN2 CO2 ST2 NW2 <i>Flat Cut</i> LC2 KD2 MH2 MC2 VM2 LM2 BU2 BE2 QR2 <i>Textured Laminate (10% upcharge)</i> NG2 NH2  TFL Solid Color Laminate BL2 GR2 SG2 FW2 RW2	B3K Left B3L Right	B3G Euro Soft Close Standard   B3J 5 Knuckle   B3H Euro Knuckle \$44 	NL No Lock - Standard LCK1 Requires 1 Lock Core \$77   B3E Keyless \$338   NOTE: LCK Locks ordered separately on page 5.	AS No Pull  Awe   Crest   Era   Forte   Grip   B3D, SNCK Recessed (Satin Nickel Only) 	BWT Bone White CHLK Chalk MSL Luster Grey BKO Onyx SNCK Satin Nickel

**HOW TO ORDER**

SPECIFY: Exterior chassis finish | door finish | door edge finish | hinge location | hinge | lock | pull | pull finish. See page 11 for a complete offering of finishes.

**MODEL NUMBER**

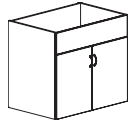
MM-241824HBSC

Exterior Chassis Finish	Door Finish	Door Edge Finish	Hinge Location	Hinge	Lock	Pull	Pull Finish
NW2	NW2	NW2	B3K	B3G	LCK1	Awe	MSL

**WALL HANGING BASE CABINETS DOUBLE SINK**

- 2 hinged doors
- May be installed alone or with multiple base cabinets
- Work Surfaces (sold separately) are attached to top of cabinet
- Drain basket not included when a sink is provided
- All Mile Marker cabinetry is required to be anchored to a wall or floor. Installation hardware is not included with cabinets.

**WALL HANGING DOUBLE SINK CABINET WITH 2 DOORS**



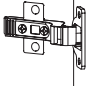

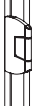
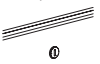






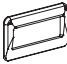
**18.25" DEEP MODELS**

model	exterior dimensions			interior dimensions		weight lbs.	cu ft.	list price
	w	d	h	w	d			
MM-271824HBSC	27	18.25	24	25.5	16.75	51	8.8	\$ 753
MM-301824HBSC	30	18.25	24	28.5	16.75	54	9.8	\$ 780
MM-331824HBSC	33	18.25	24	31.5	16.75	57	10.7	\$ 806
MM-361824HBSC	36	18.25	24	34.5	16.75	60	11.6	\$ 833
MM-271829HBSC	27	18.25	29	25.5	16.75	56	10.5	\$ 775
MM-301829HBSC	30	18.25	29	28.5	16.75	60	11.6	\$ 829
MM-331829HBSC	33	18.25	29	31.5	16.75	62	12.7	\$ 831
MM-361829HBSC	36	18.25	29	34.5	16.75	65	13.8	\$ 885
MM-271832HBSC	27	18.25	32	25.5	16.75	61	11.6	\$ 845
MM-301832HBSC	30	18.25	32	28.5	16.75	65	12.8	\$ 903
MM-331832HBSC	33	18.25	32	31.5	16.75	67	13.9	\$ 911
MM-361832HBSC	36	18.25	32	34.5	16.75	79	15.1	\$ 968

**24.25" DEEP MODELS**

model	exterior dimensions			interior dimensions		weight lbs.	cu ft.	list price
	w	d	h	w	d			
MM-272424HBSC	27	24.25	24	25.5	22.75	56	11.5	\$ 822
MM-302424HBSC	30	24.25	24	28.5	22.75	59	12.6	\$ 841
MM-332424HBSC	33	24.25	24	31.5	22.75	62	13.8	\$ 863
MM-361824HBSC	36	24.25	24	34.5	22.75	65	15	\$ 833
MM-272429HBSC	27	24.25	29	25.5	22.75	61	13.7	\$ 847
MM-302429HBSC	30	24.25	29	28.5	22.75	65	15.1	\$ 893
MM-332429HBSC	33	24.25	29	31.5	22.75	67	16.5	\$ 890
MM-362429HBSC	36	24.25	29	34.5	22.75	70	17.9	\$ 938
MM-272432HBSC	27	24.25	32	25.5	22.75	66	15	\$ 916
MM-302432HBSC	30	24.25	32	28.5	22.75	70	16.5	\$ 971
MM-332432HBSC	33	24.25	32	31.5	22.75	72	18.1	\$ 974
MM-362432HBSC	36	24.25	32	34.5	22.75	75	19.6	\$ 1,028

**OPTIONS**

Exterior Chassis Finish	Door Finish	Door Edge Finish	Hinge	Lock	Pull	Pull Finish
TFL Woodgrain Laminate <i>Quartered</i> QE2 DS2 PC2 EN2 CO2 ST2 NW2 <i>Flat Cut</i> LC2 KD2 MH2 MC2 VM2 LM2 BU2 BE2 QR2 <i>Textured Laminate</i> (10% upcharge) NG2 NH2 TFL Solid Color Laminate BL2 GR2 SG2 FW2 RW2	TFL Woodgrain Laminate <i>Quartered</i> QE2 DS2 PC2 EN2 CO2 ST2 NW2 <i>Flat Cut</i> LC2 KD2 MH2 MC2 VM2 LM2 BU2 BE2 QR2 <i>Textured Laminate</i> (10% upcharge) NG2 NH2 TFL Solid Color Laminate BL2 GR2 SG2 FW2 RW2	TFL Woodgrain Laminate <i>Quartered</i> QE2 DS2 PC2 EN2 CO2 ST2 NW2 <i>Flat Cut</i> LC2 KD2 MH2 MC2 VM2 LM2 BU2 BE2 QR2 <i>Textured Laminate</i> (10% upcharge) NG2 NH2 TFL Solid Color Laminate BL2 GR2 SG2 FW2 RW2	B3G Euro Soft Close Standard  B3J 5 Knuckle  B3H Euro Knuckle \$87 	NL No Lock - Standard LCK1 Requires 1 Lock Core \$77  B3E Keyless \$338  NOTE: LCK Locks ordered separately on page 5.	AS No Pull Awe  Crest  Era  Forte  Grip  B3D, SNCK Recessed (Satin Nickel Only) 	BWT Bone White CHLK Chalk MSL Luster Grey BKO Onyx SNCK Satin Nickel

**HOW TO ORDER**

SPECIFY: Exterior chassis finish | door finish | door edge finish | hinge | lock | pull | pull finish. See page 11 for a complete offering of finishes.

**MODEL NUMBER**

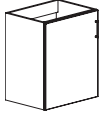
MM-271824HBSC

Exterior Chassis Finish	Door Finish	Door Edge Finish	Hinge	Lock	Pull	Pull Finish
NW2	NW2	NW2	B3G	LCK1	B3D	MSL

**WALL HANGING BASE SINK CABINET**

- 1 full hinged door
- May be installed alone or with multiple base cabinets
- Work Surfaces (sold separately) are attached to top of cabinet

**WALL HANGING BASE SINK CABINET**



**18.25" DEEP MODELS**

model	exterior dimensions			interior dimensions		weight lbs.	cu ft.	list price
	w	d	h	w	d			
MM-241824HBSCFD	24	18.25	24	22.5	16.75	50	7.9	\$ 709
MM-241829HBSCFD	24	18.25	29	22.5	16.75	55	9.4	\$ 731
MM-241832HBSCFD	24	18.25	32	22.5	16.75	60	10.4	\$ 789

**24.25" DEEP MODELS**

model	exterior dimensions			interior dimensions		weight lbs.	cu ft.	list price
	w	d	h	w	d			
MM-242424HBSCFD	24	24.25	24	22.5	22.75	55	10.3	\$ 787
MM-242429HBSCFD	24	24.25	29	22.5	22.75	60	12.2	\$ 811
MM-242432HBSCFD	24	24.25	32	22.5	22.75	65	13.4	\$ 870

**OPTIONS**

Exterior Chassis Finish	Door Finish	Door Edge Finish	Hinge Location	Hinge	Lock	Pull	Pull Finish
TFL Woodgrain Laminate <i>Quartered</i> QE2 DS2 PC2 EN2 CO2 ST2 NW2 <i>Flat Cut</i> LC2 KD2 MH2 MC2 VM2 LM2 BU2 BE2 QR2 <i>Textured Laminate (10% upcharge)</i> NG2 NH2  TFL Solid Color Laminate BL2 GR2 SG2 FW2 RW2	TFL Woodgrain Laminate <i>Quartered</i> QE2 DS2 PC2 EN2 CO2 ST2 NW2 <i>Flat Cut</i> LC2 KD2 MH2 MC2 VM2 LM2 BU2 BE2 QR2 <i>Textured Laminate (10% upcharge)</i> NG2 NH2  TFL Solid Color Laminate BL2 GR2 SG2 FW2 RW2	TFL Woodgrain Laminate <i>Quartered</i> QE2 DS2 PC2 EN2 CO2 ST2 NW2 <i>Flat Cut</i> LC2 KD2 MH2 MC2 VM2 LM2 BU2 BE2 QR2 <i>Textured Laminate (10% upcharge)</i> NG2 NH2  TFL Solid Color Laminate BL2 GR2 SG2 FW2 RW2	<b>B3K</b> Left <b>B3L</b> Right	<b>B3G</b> Euro Soft Close Standard   <b>B3J</b> 5 Knuckle   <b>B3H</b> Euro Knuckle \$87	<b>NL</b> No Lock - Standard <b>LCK1</b> Requires 1 Lock Core \$77  <b>B3E</b> Keyless \$568   <b>NOTE:</b> LCK Locks ordered separately on page 5.	<b>AS</b> No Pull  <b>Awe</b>  <b>Crest</b>  <b>Era</b>  <b>Forte</b>  <b>Grip</b>   <b>B3D, SNCK</b> Recessed (Satin Nickel Only) 	<b>BWT</b> Bone White <b>CHLK</b> Chalk <b>MSL</b> Luster Grey <b>BKO</b> Onyx <b>SNCK</b> Satin Nickel

**HOW TO ORDER**

SPECIFY: Exterior chassis finish | door finish | door edge finish | hinge location | hinge | lock | pull | pull finish. See page 11 for a complete offering of finishes.

**MODEL NUMBER**

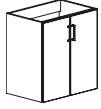
MM-241824HBSCFD

Exterior Chassis Finish	Door Finish	Door Edge Finish	Hinge Location	Hinge	Lock	Pull	Pull Finish
NW2	NW2	NW2	B3K	B3G	LCK1	B3D	MSL

**WALL HANGING BASE SINK CABINET**

- 2 full hinged doors
- May be installed alone or with multiple base cabinets
- Work Surfaces (sold separately) are attached to top of cabinet

**WALL HANGING BASE SINK CABINET WITH 2 DOORS**



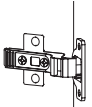

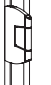

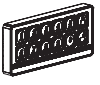






**18.25" DEEP MODELS**

model	exterior dimensions			interior dimensions		weight		list price
	w	d	h	w	d	lbs.	cu ft.	
MM-271824HBSCFD	27	18.25	24	25.5	16.75	51	8.8	\$ 753
MM-301824HBSCFD	30	18.25	24	28.5	16.75	54	9.8	\$ 780
MM-331824HBSCFD	33	18.25	24	31.5	16.75	57	10.7	\$ 806
MM-361824HBSCFD	36	18.25	24	34.5	16.75	60	11.6	\$ 833
MM-271829HBSCFD	27	18.25	29	25.5	16.75	56	10.5	\$ 775
MM-301829HBSCFD	30	18.25	29	28.5	16.75	59	11.6	\$ 803
MM-331829HBSCFD	33	18.25	29	31.5	16.75	62	12.7	\$ 831
MM-361829HBSCFD	36	18.25	29	34.5	16.75	65	13.8	\$ 859
MM-271832HBSCFD	27	18.25	32	25.5	16.75	61	11.6	\$ 845
MM-301832HBSCFD	30	18.25	32	28.5	16.75	64	12.8	\$ 878
MM-331832HBSCFD	33	18.25	32	31.5	16.75	67	13.9	\$ 911
MM-361832HBSCFD	36	18.25	32	34.5	16.75	70	15.1	\$ 943

**24.25" DEEP MODELS**

model	exterior dimensions			interior dimensions		weight		list price
	w	d	h	w	d	lbs.	cu ft.	
MM-272424HBSCFD	27	24.25	24	25.5	22.75	56	11.5	\$ 822
MM-302424HBSCFD	30	24.25	24	28.5	22.75	59	12.6	\$ 841
MM-332424HBSCFD	33	24.25	24	31.5	22.75	62	13.8	\$ 863
MM-362424HBSCFD	36	24.25	24	34.5	22.75	65	15	\$ 885
MM-272429HBSCFD	27	24.25	29	25.5	22.75	61	13.7	\$ 847
MM-302429HBSCFD	30	24.25	29	28.5	22.75	64	15.1	\$ 867
MM-332429HBSCFD	33	24.25	29	31.5	22.75	67	16.5	\$ 890
MM-362429HBSCFD	36	24.25	29	34.5	22.75	70	17.9	\$ 912
MM-272432HBSCFD	27	24.25	32	25.5	22.75	66	15	\$ 916
MM-302432HBSCFD	30	24.25	32	28.5	22.75	69	16.5	\$ 945
MM-332432HBSCFD	33	24.25	32	31.5	22.75	72	18.1	\$ 974
MM-362432HBSCFD	36	24.25	32	34.5	22.75	75	19.6	\$ 1,003

**OPTIONS**

Exterior Chassis Finish	Door Finish	Door Edge Finish	Hinge	Lock	Pull	Pull Finish
TFL Woodgrain Laminate <i>Quartered</i> QE2 DS2 PC2 EN2 CO2 ST2 NW2 <i>Flat Cut</i> LC2 KD2 MH2 MC2 VM2 LM2 BU2 BE2 QR2 <i>Textured Laminate</i> (10% upcharge) NG2 NH2  TFL Solid Color Laminate BL2 GR2 SG2 FW2 RW2	TFL Woodgrain Laminate <i>Quartered</i> QE2 DS2 PC2 EN2 CO2 ST2 NW2 <i>Flat Cut</i> LC2 KD2 MH2 MC2 VM2 LM2 BU2 BE2 QR2 <i>Textured Laminate</i> (10% upcharge) NG2 NH2  TFL Solid Color Laminate BL2 GR2 SG2 FW2 RW2	TFL Woodgrain Laminate <i>Quartered</i> QE2 DS2 PC2 EN2 CO2 ST2 NW2 <i>Flat Cut</i> LC2 KD2 MH2 MC2 VM2 LM2 BU2 BE2 QR2 <i>Textured Laminate</i> (10% upcharge) NG2 NH2  TFL Solid Color Laminate BL2 GR2 SG2 FW2 RW2	B3G Euro Soft Close Standard   B3J 5 Knuckle   B3H Euro Knuckle \$87 	NL No Lock - Standard LCK1 Requires 1 Lock Core \$77   B3E Keyless \$568   NOTE: LCK Locks ordered separately on page 5.	AS No Pull  Awe   Crest   Era   Forte   Grip   B3D, SNCK Recessed (Satin Nickel Only) 	BWT Bone White CHLK Chalk MSL Luster Grey BKO Onyx SNCK Satin Nickel

**HOW TO ORDER**

SPECIFY: Exterior chassis finish | door finish | door edge finish | hinge | lock | pull | pull finish. See page 11 for a complete offering of finishes.

**MODEL NUMBER**

MM-271824HBSCFD

Exterior Chassis Finish	Door Finish	Door Edge Finish	Hinge	Lock	Pull	Pull Finish
NW2	NW2	NW2	B3G	LCK1	B3D	MSL

**WALL HANGING BASE CABINETS FILLER**

- All Mile Marker cabinetry is required to be anchored to a wall or floor. Installation hardware is not included with cabinets.

**BASE FILLER**



model	w	d	h	wt	cu ft	List
MM-614BF	6	0.75	14.5	2	0.2	\$ 100
MM-616BF	6	0.75	16	2	0.2	\$ 107
MM-624BF	6	0.75	24	3	0.3	\$ 109
MM-629BF	6	0.75	29	3	0.4	\$ 110
MM-632BF	6	0.75	32	3	0.4	\$ 115

**CORNER BASE FILLER**



model	w	d	h	wt	cu ft	List
MM-814CBF	7.88	0.75	14.5	2	0.3	\$ 112
MM-816CBF	7.88	0.75	16	2	0.3	\$ 119
MM-824CBF	7.88	0.75	24	3	0.4	\$ 124
MM-829CBF	7.88	0.75	29	3	0.5	\$ 127
MM-832CBF	7.88	0.75	32	3	0.5	\$ 134

**OPTIONS**

**Exterior Chassis Finish**

TFL Woodgrain Laminate

*Quartered*

QE2 DS2 PC2

EN2 CO2 ST2

NW2

*Flat Cut*

LC2 KD2 MH2

MC2 VM2 LM2

BU2 BE2 QR2

*Textured Laminate*

*(10% upcharge)*

NG2 NH2

TFL Solid Color Laminate

BL2 GR2 SG2

FW2 RW2

**HOW TO ORDER**

SPECIFY: Exterior chassis finish. See page 11 for a complete offering of finishes.

**MODEL NUMBER**

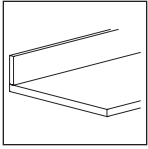
MM-614BF

**Exterior Chassis Finish**

NW2

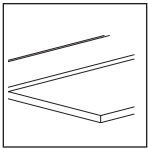
**WORK SURFACES DESIGN FEATURES**

Carolina is committed to a better way to experience healthcare. Mile Marker™ offers many built-in standard features and multiple optional upgrades that enhance the beauty and performance of the facility. These extras offer a better experience for the patient and family, and contribute to less stress for staff.



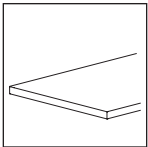
**LAMINATE WORK SURFACES**

are HPL (High Pressure Laminate) with all Wilsonart Standard HPL colors. A 4" high backsplash is included and requires seams to be sealed at installation.



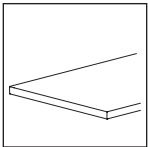
**SOLID SURFACE WORK SURFACES**

are available in 7 tiers and include a 4" high integrated, seamless backsplash.



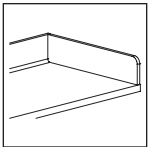
**LAMINATE WORK SURFACES**

are HPL (High Pressure Laminate) with all Wilsonart Standard HPL colors.



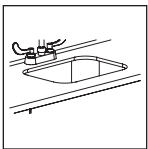
**SOLID SURFACE WORK SURFACES**

are available in 7 tiers.



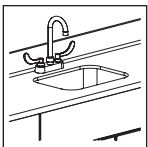
**SIDE SPLASH**

is 4" high and available left, right or both. Requires seams to be sealed at installation.



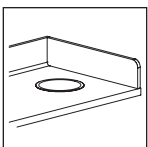
**SINK**

is available as drop-in ADA with laminate tops. With solid surface tops, you can choose between integral ADA, under mount ADA, and drop-in. Approximate size of sink is 16" x 11.5" x 4.5" with a standard lavatory drain hole (1 5/8" diameter.) Lavatory drain not included with sinks, but required to complete installation.



**FAUCETS**

- B5R - Paddle Handle 3.5" Gooseneck
- B5S - Sensor 5.25" Gooseneck
- HND1 - Single Handle 5.75" Gooseneck
- HND2 - Sensor 4.875" Spout
- HND3 - Paddle Handle 8" Gooseneck
- HND4 - Single Handle 4.5" Spout
- HND5 - Sensor Edge 4.75" Spout



**WASTE RING**

has a standard 6" diameter and is available in black or silver with laminate top and black, silver or integral with solid surface top.

### TOP FINISH

Standard HPL Options (see pages 11-12)

- |                        |                     |                           |
|------------------------|---------------------|---------------------------|
| <b>CHP</b> - Sienna    | <b>DSP</b> - Desert | <b>BLP</b> - Black        |
| <b>CMP</b> - Mocha     | <b>BEP</b> - Blonde | <b>FWP</b> - Frosty White |
| <b>QEP</b> - Molasses  | <b>HNP</b> - Honey  | <b>GRP</b> - Grey         |
| <b>BUP</b> - Burnished | <b>TMP</b> - Ochre  | <b>RWP</b> - Pure White   |
| <b>MEP</b> - Toffee    | <b>COP</b> - Linen  | <b>SGP</b> - Slate Grey   |
| <b>NWP</b> - Root      | <b>PCP</b> - Pecan  |                           |
| <b>KDP</b> - Kodiak    | <b>STP</b> - Steel  |                           |
| <b>MGP</b> - Cognac    | <b>QRP</b> - Quarry |                           |

#### 10% UPCHARGE

- |                                 |                              |
|---------------------------------|------------------------------|
| <b>NGP</b><br>Natural Champagne | <b>NHG</b><br>Natural Walnut |
|---------------------------------|------------------------------|

### TIER / SOLID SURFACE

7 tier / Solid Surface Options (see page 13-14)

### EDGE FINISH

Standard PP Options (see page 11)

- WP** - Self Edge, standard

### LAMINATE FINISHED EDGE

- X9** - None, standard  
**B5G** - Left, standard  
**B5H** - Right, standard  
**B5J** - Both, standard

### SOLID SURFACE FINISHED EDGE

- X9** - None, standard  
**B5G** - Left (upcharge \$58)  
**B5H** - Right (upcharge \$58)  
**B5J** - Both (upcharge \$116)

### SIDE SPLASH

- X9** - None, standard  
**B5G** - Left (upcharge varies by product)  
**B5H** - Right (upcharge varies by product)  
**B5J** - Both (upcharge varies by product)

### SINK

- X9** - None, standard  
**B5P** - Drop-in (upcharge \$1626)  
**DRS1** - Drop-in 4.5" Deep with Overflow (upcharge \$1905)  
**DRS2** - Drop-in 7.5" Deep with Overflow (upcharge \$1842)  
**B5M** - Undermount (upcharge \$1330)  
**UMS1** - Undermount 4.5" Deep with Overflow (upcharge \$1707)  
**UMS2** - Undermount 7.5" Deep with Overflow (upcharge \$1638)  
**B5K** - Integral (upcharge \$1437)  
**DRS3** - Integral 4.5" Deep with Overflow (upcharge \$1727)  
**DRS4** - Integral 7.5" Deep (upcharge \$1900)

### FAUCET

- X9** - None, standard  
**B5R** - Paddle Handle 3.5" Gooseneck (upcharge \$1131)  
**B5S** - Sensor 5.25" Gooseneck (upcharge \$1607)  
**HND1** - Single Handle 5.75" Gooseneck (upcharge \$1133)  
**HND2** - Sensor 4.875" Spout (upcharge \$2116)  
**HND3** - Paddle Handle 8" Gooseneck (upcharge \$1593)  
**HND4** - Single Handle 4.5" Spout (upcharge \$1306)  
**HND5** - Sensor Edge 4.75" Spout (upcharge \$4171)

### WASTE RING

- X9** - None, standard  
**B5T** - Integral (upcharge \$69)  
**B5U** - Black (upcharge \$98)  
**B5V** - Silver (upcharge \$98)

### COLOR

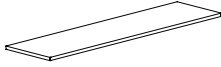
- B5W** - Black  
**B5X** - White  
**B5Y** - Gray  
**B5Z** - Almond



**WORK SURFACES LAMINATE**

- 1" thick rectangular top
- When finished edges are specified, the finished edge will match front edge
- When waste ring option is selected please specify location
- For in between sizes, order next larger size and cut to meet specification

**LAMINATE WORK SURFACE**



**14.25" DEEP MODELS**

model	w	d	h	wt	cu ft	List
MM-1214TL	12	14.25	1	9	0.4	\$ 188
MM-1514TL	15	14.25	1	11	0.5	\$ 195
MM-1814TL	18	14.25	1	14	0.6	\$ 203
MM-2114TL	21	14.25	1	16	0.6	\$ 217
MM-2414TL	24	14.25	1	18	0.7	\$ 236
MM-2714TL	27	14.25	1	21	0.8	\$ 243
MM-3014TL	30	14.25	1	23	0.9	\$ 249
MM-3314TL	33	14.25	1	25	1.0	\$ 259
MM-3614TL	36	14.25	1	27	1.1	\$ 268
MM-3914TL	39	14.25	1	30	1.2	\$ 279
MM-4214TL	42	14.25	1	32	1.2	\$ 289
MM-4514TL	45	14.25	1	34	1.3	\$ 293
MM-4814TL	48	14.25	1	37	1.4	\$ 296
MM-5114TL	51	14.25	1	39	1.5	\$ 310
MM-5414TL	54	14.25	1	41	1.6	\$ 322
MM-5714TL	57	14.25	1	43	1.7	\$ 328
MM-6014TL	60	14.25	1	46	1.7	\$ 335
MM-6314TL	63	14.25	1	48	1.8	\$ 349
MM-6614TL	66	14.25	1	50	1.9	\$ 361
MM-6914TL	69	14.25	1	52	2.0	\$ 372
MM-7214TL	72	14.25	1	55	2.1	\$ 392
MM-7514TL	75	14.25	1	57	2.2	\$ 407
MM-7814TL	78	14.25	1	59	2.3	\$ 421
MM-8114TL	81	14.25	1	62	2.3	\$ 435
MM-8414TL	84	14.25	1	64	2.4	\$ 448
MM-8714TL	87	14.25	1	66	2.5	\$ 463
MM-9014TL	90	14.25	1	68	2.6	\$ 477
MM-9314TL	93	14.25	1	71	2.7	\$ 489
MM-9614TL	96	14.25	1	73	2.8	\$ 503
MM-9914TL	99	14.25	1	75	2.8	\$ 515
MM-10214TL	102	14.25	1	78	2.9	\$ 528
MM-10514TL	105	14.25	1	80	3.0	\$ 543
MM-10814TL	108	14.25	1	82	3.1	\$ 560
MM-11114TL	111	14.25	1	84	3.2	\$ 571
MM-11414TL	114	14.25	1	87	3.3	\$ 583
MM-11714TL	117	14.25	1	89	3.4	\$ 599
MM-12014TL	120	14.25	1	91	3.4	\$ 614

**OPTIONS**

Top Finish	Edge Finish	Waste Ring
HPL Woodgrain Laminate <i>Quartered</i> QEP DSP PCP MEP COP STP NWP <i>Flat Cut</i> CHP KDP HNP CMP MGP TMP BUP BEP QRP <i>Textured Laminate</i> (10% upcharge) NGP NHG  HPL Solid Color Laminate BLP GRP SGP FWP RWP  See pages 11-12 for a full list of HPL options	TFL Woodgrain Laminate <i>Quartered</i> QE2 DS2 PC2 EN2 CO2 ST2 NW2 <i>Flat Cut</i> LC2 KD2 MH2 MC2 VM2 LM2 BU2 BE2 QR2 <i>Textured Laminate</i> (10% upcharge) NG2 NH2  TFL Solid Color Laminate BL2 GR2 SG2 FW2 RW2  WP Self Edge for laminate color matching edge	X9 None B5U Black \$98 B5V Silver \$98

**HOW TO ORDER**

SPECIFY: Top finish | edge finish | finished edge | waste ring.

**MODEL NUMBER**

MM-1214TL

Top Finish	Edge Finish	Waste Ring
NWP	FW2	B5U

**WORK SURFACES LAMINATE (CONT.)**

- 1" thick rectangular top
- When finished edges are specified, the finished edge will match front edge
- When sink, faucet, and waste ring options are selected please specify location
- Lavatory drain not included with sinks, but required to complete installation
- Approximate size of sink is 16" x 11.5" x 4.5" with a standard lavatory drain hole (1 5/8" diameter)
- Sink not available on 12", 15", 18", and 21" width work surfaces
- For in between sizes, order next larger size and cut to meet specification

**LAMINATE WORK SURFACE**



**18.5" DEEP MODELS**

model	w	d	h	wt	cu ft	List
MM-1218TL	12	18.5	1	11	0.5	\$ 237
MM-1518TL	15	18.5	1	14	0.6	\$ 246
MM-1818TL	18	18.5	1	17	0.7	\$ 253
MM-2118TL	21	18.5	1	20	0.8	\$ 272
MM-2418TL	24	18.5	1	23	0.9	\$ 288
MM-2718TL	27	18.5	1	25	1.0	\$ 296
MM-3018TL	30	18.5	1	28	1.1	\$ 304
MM-3318TL	33	18.5	1	31	1.2	\$ 313
MM-3618TL	36	18.5	1	34	1.4	\$ 321
MM-3918TL	39	18.5	1	37	1.5	\$ 329
MM-4218TL	42	18.5	1	39	1.6	\$ 338
MM-4518TL	45	18.5	1	42	1.7	\$ 346
MM-4818TL	48	18.5	1	45	1.8	\$ 354
MM-5118TL	51	18.5	1	48	1.9	\$ 363
MM-5418TL	54	18.5	1	51	2.0	\$ 371
MM-5718TL	57	18.5	1	53	2.1	\$ 380
MM-6018TL	60	18.5	1	56	2.2	\$ 388
MM-6318TL	63	18.5	1	59	2.3	\$ 403
MM-6618TL	66	18.5	1	62	2.4	\$ 417
MM-6918TL	69	18.5	1	65	2.5	\$ 430
MM-7218TL	72	18.5	1	68	2.6	\$ 442
MM-7518TL	75	18.5	1	70	2.7	\$ 457
MM-7818TL	78	18.5	1	73	2.8	\$ 473
MM-8118TL	81	18.5	1	76	3.0	\$ 486
MM-8418TL	84	18.5	1	79	3.1	\$ 500
MM-8718TL	87	18.5	1	82	3.2	\$ 513
MM-9018TL	90	18.5	1	84	3.3	\$ 528
MM-9318TL	93	18.5	1	87	3.4	\$ 541
MM-9618TL	96	18.5	1	90	3.5	\$ 554
MM-9918TL	99	18.5	1	93	3.6	\$ 569
MM-10218TL	102	18.5	1	96	3.7	\$ 583
MM-10518TL	105	18.5	1	98	3.8	\$ 597
MM-10818TL	108	18.5	1	101	3.9	\$ 611
MM-11118TL	111	18.5	1	104	4.0	\$ 625
MM-11418TL	114	18.5	1	107	4.1	\$ 639
MM-11718TL	117	18.5	1	110	4.2	\$ 653
MM-12018TL	120	18.5	1	113	4.3	\$ 666

**OPTIONS**

Top Finish	Edge Finish	Sink	Faucet	Waste Ring
HPL Woodgrain Laminate <i>Quartered</i> QEP DSP PCP MEP COP STP NWP <i>Flat Cut</i> CHP KDP HNP CMP MGP TMP BUP BEP QRP <i>Textured Laminate</i> (10% upcharge) NGP NHG HPL Solid Color Laminate BLP GRP SGP FWP RWP  See pages 11-12 for a full list of HPL options	TFL Woodgrain Laminate <i>Quartered</i> QE2 DS2 PC2 EN2 CO2 ST2 NW2 <i>Flat Cut</i> LC2 KD2 MH2 MC2 VM2 LM2 BU2 BE2 QR2 <i>Textured Laminate</i> (10% upcharge) NG2 NH2 TFL Solid Color Laminate BL2 GR2 SG2 FW2 RW2  WP Self Edge for laminate color matching edge	X9 None B5P Drop-in 4.5" Deep <b>\$1626</b> DRS1 Drop-in 4.5" Deep with Overflow <b>\$1905</b> DRS2 Drop-in 7.5" Deep with Overflow <b>\$1842</b>	X9 None B5R Paddle Handle 3.5" Gooseneck <b>\$1131</b> B5S Sensor 5.25" Gooseneck <b>\$1607</b> HND1 Single Handle 5.75" Gooseneck <b>\$1133</b> HND2 Sensor 4.875" Spout <b>\$2116</b> HND3 Paddle Handle 8" Gooseneck <b>\$1593</b> HND4 Single Handle 4.5" Spout <b>\$1306</b> HND5 Sensor Edge 4.75" Spout <b>\$4171</b>	X9 None B5U Black <b>\$98</b> B5V Silver <b>\$98</b>

**HOW TO ORDER**

SPECIFY: Top finish | edge finish | finished edge | sink | faucet | waste ring.

**MODEL NUMBER**

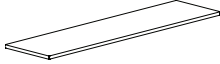
MM-1218TL

Top Finish	Edge Finish	Sink	Faucet	Waste Ring
NWP	FW2	B5P	B5R	B5U

**WORK SURFACES LAMINATE (CONT.)**

- 1" thick rectangular top
- When finished edges are specified, the finished edge will match front edge
- When sink, faucet, and waste ring options are selected please specify location
- Lavatory drain not included with sinks, but required to complete installation
- Approximate size of sink is 16" x 11.5" x 4.5" with a standard lavatory drain hole (1 5/8" diameter)
- Sink not available on 12", 15", 18", and 21" width work surfaces
- For in between sizes, order next larger size and cut to meet specification

**LAMINATE WORK SURFACE**



**24.5" DEEP MODELS**

model	w	d	h	wt	cu ft	List
MM-1224TL	12	24.5	1	0.6	0.6	\$ 253
MM-1524TL	15	24.5	1	0.8	0.8	\$ 265
MM-1824TL	18	24.5	1	0.9	0.9	\$ 276
MM-2124TL	21	24.5	1	1.1	1.1	\$ 292
MM-2424TL	24	24.5	1	1.2	1.2	\$ 310
MM-2724TL	27	24.5	1	3.2	1.3	\$ 325
MM-3024TL	30	24.5	1	1.5	1.5	\$ 342
MM-3324TL	33	24.5	1	3.9	1.6	\$ 358
MM-3624TL	36	24.5	1	1.7	1.7	\$ 376
MM-3924TL	39	24.5	1	4.6	1.9	\$ 393
MM-4224TL	42	24.5	1	2	2.0	\$ 409
MM-4524TL	45	24.5	1	5.3	2.2	\$ 426
MM-4824TL	48	24.5	1	2.3	2.3	\$ 442
MM-5124TL	51	24.5	1	6.1	2.4	\$ 459
MM-5424TL	54	24.5	1	2.6	2.6	\$ 477
MM-5724TL	57	24.5	1	6.8	2.7	\$ 485
MM-6024TL	60	24.5	1	2.9	2.9	\$ 493
MM-6324TL	63	24.5	1	7.5	3.0	\$ 507
MM-6624TL	66	24.5	1	3.1	3.1	\$ 520
MM-6924TL	69	24.5	1	8.2	3.3	\$ 535
MM-7224TL	72	24.5	1	3.4	3.4	\$ 548
MM-7524TL	75	24.5	1	8.9	3.5	\$ 564
MM-7824TL	78	24.5	1	3.7	3.7	\$ 578
MM-8124TL	81	24.5	1	9.6	3.8	\$ 592
MM-8424TL	84	24.5	1	4	4.0	\$ 605
MM-8724TL	87	24.5	1	10.3	4.1	\$ 618
MM-9024TL	90	24.5	1	4.2	4.2	\$ 633
MM-9324TL	93	24.5	1	11.0	4.4	\$ 646
MM-9624TL	96	24.5	1	4.5	4.5	\$ 660
MM-9924TL	99	24.5	1	11.8	4.6	\$ 673
MM-10224TL	102	24.5	1	4.8	4.8	\$ 688
MM-10524TL	105	24.5	1	12.5	4.9	\$ 701
MM-10824TL	108	24.5	1	5.1	5.1	\$ 716
MM-11124TL	111	24.5	1	13.2	5.2	\$ 730
MM-11424TL	114	24.5	1	5.3	5.3	\$ 744
MM-11724TL	117	24.5	1	13.9	5.5	\$ 758
MM-12024TL	120	24.5	1	5.6	5.6	\$ 771

**OPTIONS**

Top Finish	Edge Finish	Sink	Faucet	Waste Ring
HPL Woodgrain Laminate <i>Quartered</i> QEP DSP PCP MEP COP STP NWP <i>Flat Cut</i> CHP KDP HNP CMP MGP TMP BUP BEP QRP <i>Textured Laminate</i> (10% upcharge) NGP NHG HPL Solid Color Laminate BLP GRP SGP FWP RWP  See pages 11-12 for a full list of HPL options	TFL Woodgrain Laminate <i>Quartered</i> QE2 DS2 PC2 EN2 CO2 ST2 NW2 <i>Flat Cut</i> LC2 KD2 MH2 MC2 VM2 LM2 BU2 BE2 QR2 <i>Textured Laminate</i> (10% upcharge) NG2 NH2 TFL Solid Color Laminate BL2 GR2 SG2 FW2 RW2  WP Self Edge for laminate color matching edge	X9 None B5P Drop-in 4.5" Deep <b>\$1626</b> DRS1 Drop-in 4.5" Deep with Overflow <b>\$1905</b> DRS2 Drop-in 7.5" Deep with Overflow <b>\$1842</b>	X9 None B5R Paddle Handle 3.5" Gooseneck <b>\$1131</b> B5S Sensor 5.25" Gooseneck <b>\$1607</b> HND1 Single Handle 5.75" Gooseneck <b>\$1133</b> HND2 Sensor 4.875" Spout <b>\$2116</b> HND3 Paddle Handle 8" Gooseneck <b>\$1593</b> HND4 Single Handle 4.5" Spout <b>\$1306</b> HND5 Sensor Edge 4.75" Spout <b>\$4171</b>	X9 None B5U Black <b>\$98</b> B5V Silver <b>\$98</b>

**HOW TO ORDER**

SPECIFY: Top finish | edge finish | finished edge | sink | faucet | waste ring.

**MODEL NUMBER**

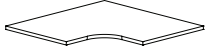
MM-1224TL

Top Finish	Edge Finish	Sink	Faucet	Waste Ring
NWP	FW2	B5P	B5R	B5U

**WORK SURFACES LAMINATE**

- 1" thick
- When finished edges are specified, the finished edge will match front edge

**LAMINATE CORNER WORK SURFACE**



**29.75" DEEP MODELS**

model	w	d	h	wt	cu ft	List
MM-3030CTL	29.75	29.75	1.8	37	1.8	\$ 315
MM-3430CTL	34	29.75	2	42	2.0	\$ 364
MM-4030CTL	40	29.75	2.3	50	2.3	\$ 449

**34" DEEP MODELS**

model	w	d	h	wt	cu ft	List
MM-3034CTL	29.75	34	2	42	2.0	\$ 364
MM-3434CTL	34	34	2.3	48	2.3	\$ 418
MM-4034CTL	40	34	2.6	57	2.6	\$ 478

**40" DEEP MODELS**

model	w	d	h	wt	cu ft	List
MM-3040CTL	29.75	40	2.3	50	2.3	\$ 449
MM-3440CTL	34	40	2.6	57	2.6	\$ 478
MM-4040CTL	40	40	3.1	67	3.1	\$ 583

**OPTIONS**

Top Finish	Edge Finish
HPL Woodgrain Laminate <i>Quartered</i> QEP DSP PCP MEP COP STP NWP <i>Flat Cut</i> CHP KDP HNP CMP MGP TMP BUP BEP QRP <i>Textured Laminate</i> (10% upcharge) NGP NHG  HPL Solid Color Laminate BLP GRP SGP FWP RWP  See pages 11-12 for a full list of HPL options	TFL Woodgrain Laminate <i>Quartered</i> QE2 DS2 PC2 EN2 CO2 ST2 NW2 <i>Flat Cut</i> LC2 KD2 MH2 MC2 VM2 LM2 BU2 BE2 QR2 <i>Textured Laminate</i> (10% upcharge) NG2 NH2  TFL Solid Color Laminate BL2 GR2 SG2 FW2 RW2  WP Self Edge for laminate color matching edge

**HOW TO ORDER**

SPECIFY: Top finish | edge finish | finished edge.

**MODEL NUMBER**

MM-3030CTL

Top Finish	Edge Finish
NWP	FW2

**WORK SURFACES LAMINATE**

- 1" thick rectangular top
- 4" tall backsplash
- When finished edges are specified, the finished edge will match front edge
- When waste ring option is selected please specify location
- Approximate size of sink is 16" x 11.5" x 4.5" with a standard lavatory drain hole (1 5/8" diameter"
- For in between sizes, order next larger size and cut to meet specification

**LAMINATE WORK SURFACE WITH BACKSPLASH**



**14.25" DEEP MODELS**

model	w	d	h	wt	cu ft	List
MM-1214TWBL	12	14.25	5	6	0.9	\$ 212
MM-1514TWBL	15	14.25	5	8	1.1	\$ 220
MM-1814TWBL	18	14.25	5	9	1.3	\$ 229
MM-2114TWBL	21	14.25	5	11	1.5	\$ 245
MM-2414TWBL	24	14.25	5	12	1.7	\$ 266
MM-2714TWBL	27	14.25	5	21	1.9	\$ 274
MM-3014TWBL	30	14.25	5	15	2.1	\$ 280
MM-3314TWBL	33	14.25	5	25	2.3	\$ 292
MM-3614TWBL	36	14.25	5	18	2.5	\$ 303
MM-3914TWBL	39	14.25	5	30	2.7	\$ 315
MM-4214TWBL	42	14.25	5	21	2.9	\$ 325
MM-4514TWBL	45	14.25	5	34	3.1	\$ 329
MM-4814TWBL	48	14.25	5	24	3.3	\$ 333
MM-5114TWBL	51	14.25	5	39	3.5	\$ 349
MM-5414TWBL	54	14.25	5	27	3.7	\$ 363
MM-5714TWBL	57	14.25	5	43	3.9	\$ 371
MM-6014TWBL	60	14.25	5	30	4.1	\$ 378
MM-6314TWBL	63	14.25	5	48	4.3	\$ 393
MM-6614TWBL	66	14.25	5	33	4.5	\$ 408
MM-6914TWBL	69	14.25	5	52	4.7	\$ 425
MM-7214TWBL	72	14.25	5	37	4.9	\$ 441
MM-7514TWBL	75	14.25	5	57	5.1	\$ 458
MM-7814TWBL	78	14.25	5	40	5.3	\$ 475
MM-8114TWBL	81	14.25	5	62	5.5	\$ 489
MM-8414TWBL	84	14.25	5	43	5.7	\$ 505
MM-8714TWBL	87	14.25	5	66	5.9	\$ 520
MM-9014TWBL	90	14.25	5	46	6.1	\$ 537
MM-9314TWBL	93	14.25	5	71	6.3	\$ 552
MM-9614TWBL	96	14.25	5	49	6.5	\$ 567
MM-9914TWBL	99	14.25	5	75	6.6	\$ 581
MM-10214TWBL	102	14.25	5	52	6.8	\$ 595
MM-10514TWBL	105	14.25	5	80	7.0	\$ 613
MM-10814TWBL	108	14.25	5	55	7.2	\$ 630
MM-11114TWBL	111	14.25	5	84	7.4	\$ 644
MM-11414TWBL	114	14.25	5	58	7.6	\$ 657
MM-11714TWBL	117	14.25	5	89	7.8	\$ 675
MM-12014TWBL	120	14.25	5	61	8.0	\$ 693

**OPTIONS**

Top Finish	Edge Finish	Side Splash	Waste Ring
HPL Woodgrain Laminate <i>Quartered</i> QEP DSP PCP MEP COP STP NWP <i>Flat Cut</i> CHP KDP HNP CMP MGP TMP BUP BEP QRP <i>Textured Laminate</i> (10% upcharge) NGP NHG HPL Solid Color Laminate BLP GRP SGP FWP RWP  See pages 11-12 for a full list of HPL options	TFL Woodgrain Laminate <i>Quartered</i> QE2 DS2 PC2 EN2 CO2 ST2 NW2 <i>Flat Cut</i> LC2 KD2 MH2 MC2 VM2 LM2 BU2 BE2 QR2 <i>Textured Laminate</i> (10% upcharge) NG2 NH2 TFL Solid Color Laminate BL2 GR2 SG2 FW2 RW2  WP Self Edge for laminate color matching edge	X9 None B5G Left \$58 B5H Right \$58 B5J Both \$116	X9 None B5U Black \$98 B5V Silver \$98

**HOW TO ORDER**

SPECIFY: Top finish | edge finish | finished edge | side splash | waste ring.

**MODEL NUMBER**

MM-1214TWBL

Top Finish	Edge Finish	Side Splash	Waste Ring
NWP	FW2	B5G	B5U

**WORK SURFACES LAMINATE (CONT.)**

- 1" thick rectangular top
- 4" tall backsplash
- When finished edges are specified, the finished edge will match front edge
- When sink, faucet, and waste ring options are selected please specify location
- Lavatory drain not included with sinks, but required to complete installation
- Approximate size of sink is 16" x 11.5" x 4.5" with a standard lavatory drain hole (1 5/8" diameter)"
- Sink not available on 12", 15", 18", and 21" width work surfaces
- For in between sizes, order next larger size and cut to meet specification

**LAMINATE WORK SURFACE WITH BACKSPLASH**



**18.5" DEEP MODELS**

model	w	d	h	wt	cu ft	List
MM-1218TWBL	12	18.5	5	8	1.2	\$ 267
MM-1518TWBL	15	18.5	5	10	1.4	\$ 277
MM-1818TWBL	18	18.5	5	11	1.7	\$ 286
MM-2118TWBL	21	18.5	5	13	1.9	\$ 306
MM-2418TWBL	24	18.5	5	15	2.2	\$ 324
MM-2718TWBL	27	18.5	5	25	2.4	\$ 333
MM-3018TWBL	30	18.5	5	19	2.7	\$ 343
MM-3318TWBL	33	18.5	5	31	2.9	\$ 352
MM-3618TWBL	36	18.5	5	23	3.2	\$ 361
MM-3918TWBL	39	18.5	5	37	3.4	\$ 372
MM-4218TWBL	42	18.5	5	26	3.7	\$ 380
MM-4518TWBL	45	18.5	5	42	3.9	\$ 390
MM-4818TWBL	48	18.5	5	30	4.2	\$ 400
MM-5118TWBL	51	18.5	5	48	4.4	\$ 409
MM-5418TWBL	54	18.5	5	34	4.7	\$ 418
MM-5718TWBL	57	18.5	5	53	4.9	\$ 428
MM-6018TWBL	60	18.5	5	38	5.1	\$ 438
MM-6318TWBL	63	18.5	5	59	5.4	\$ 454
MM-6618TWBL	66	18.5	5	41	5.6	\$ 469
MM-6918TWBL	69	18.5	5	65	5.9	\$ 484
MM-7218TWBL	72	18.5	5	45	6.1	\$ 500
MM-7518TWBL	75	18.5	5	70	6.4	\$ 516
MM-7818TWBL	78	18.5	5	49	6.6	\$ 533
MM-8118TWBL	81	18.5	5	76	6.9	\$ 547
MM-8418TWBL	84	18.5	5	53	7.1	\$ 563
MM-8718TWBL	87	18.5	5	82	7.4	\$ 579
MM-9018TWBL	90	18.5	5	56	7.6	\$ 595
MM-9318TWBL	93	18.5	5	87	7.9	\$ 610
MM-9618TWBL	96	18.5	5	60	8.1	\$ 625
MM-9918TWBL	99	18.5	5	93	8.4	\$ 641
MM-10218TWBL	102	18.5	5	64	8.6	\$ 657
MM-10518TWBL	105	18.5	5	98	8.9	\$ 673
MM-10818TWBL	108	18.5	5	68	9.1	\$ 689
MM-11118TWBL	111	18.5	5	104	9.4	\$ 704
MM-11418TWBL	114	18.5	5	71	9.6	\$ 721
MM-11718TWBL	117	18.5	5	110	9.9	\$ 735
MM-12018TWBL	120	18.5	5	75	10.1	\$ 751

**OPTIONS**

Top Finish	Edge Finish	Side Splash	Sink	Faucet	Waste Ring
HPL Woodgrain Laminate <i>Quartered</i> QEP DSP PCP MEP COP STP NWP <i>Flat Cut</i> CHP KDP HNP CMP MGP TMP BUP BEP GRP <i>Textured Laminate</i> (10% upcharge) NGP NHG HPL Solid Color Laminate BLP GRP SGP FWP RWP	TFL Woodgrain Laminate <i>Quartered</i> QE2 DS2 PC2 EN2 CO2 ST2 NW2 <i>Flat Cut</i> LC2 KD2 MH2 MC2 VM2 LM2 BU2 BE2 GR2 <i>Textured Laminate</i> (10% upcharge) NG2 NH2 TFL Solid Color Laminate BL2 GR2 SG2 FW2 RW2	X9 None B5G Left \$58 B5H Right \$58 B5J Both \$116	X9 None B5P Drop-in 4.5" Deep \$1626 DRS1 Drop-in 4.5" Deep with Overflow \$1905 DRS2 Drop-in 7.5" Deep with Overflow \$1842	X9 None B5R Paddle Handle 3.5" Gooseneck \$1131 B5S Sensor 5.25" Gooseneck \$1607 HND1 Single Handle 5.75" Gooseneck \$1133 HND2 Sensor 4.875" Spout \$2116 HND3 Paddle Handle 8" Gooseneck \$1593 HND4 Single Handle 4.5" Spout \$1306 HND5 Sensor Edge 4.75" Spout \$4171	X9 None B5U Black \$98 B5V Silver \$98
See pages 11-12 for a full list of HPL options					
<b>WP Self Edge for laminate color matching edge</b>					

**HOW TO ORDER**

SPECIFY: Top finish | edge finish | finished edge | side splash | sink | faucet | waste ring.

**MODEL NUMBER**

MM-1218TWBL

Top Finish	Edge Finish	Side Splash	Sink	Faucet	Waste Ring
NWP	FW2	B5G	B5P	B5R	B5U

**WORK SURFACES LAMINATE (CONT.)**

- 1" thick rectangular top
- 4" tall backsplash
- When finished edges are specified, the finished edge will match front edge
- When sink, faucet, and waste ring options are selected please specify location
- Lavatory drain not included with sinks, but required to complete installation
- Approximate size of sink is 16" x 11.5" x 4.5" with a standard lavatory drain hole (1 5/8" diameter)"
- Sink not available on 12", 15", 18", and 21" width work surfaces
- For in between sizes, order next larger size and cut to meet specification

**LAMINATE WORK SURFACE WITH BACKSPLASH**



**24.5" DEEP MODELS**

model	w	d	h	wt	cu ft	List
MM-1224TWBL	12	24.5	5	10	1.5	\$ 286
MM-1524TWBL	15	24.5	5	12	1.8	\$ 299
MM-1824TWBL	18	24.5	5	14	2.1	\$ 312
MM-2124TWBL	21	24.5	5	17	2.5	\$ 329
MM-2424TWBL	24	24.5	5	19	2.8	\$ 349
MM-2724TWBL	27	24.5	5	32	3.1	\$ 368
MM-3024TWBL	30	24.5	5	24	3.4	\$ 384
MM-3324TWBL	33	24.5	5	39	3.8	\$ 405
MM-3624TWBL	36	24.5	5	29	4.1	\$ 424
MM-3924TWBL	39	24.5	5	46	4.4	\$ 444
MM-4224TWBL	42	24.5	5	33	4.7	\$ 462
MM-4524TWBL	45	24.5	5	53	5.0	\$ 480
MM-4824TWBL	48	24.5	5	38	5.4	\$ 499
MM-5124TWBL	51	24.5	5	61	5.7	\$ 517
MM-5424TWBL	54	24.5	5	43	6.0	\$ 537
MM-5724TWBL	57	24.5	5	68	6.3	\$ 546
MM-6024TWBL	60	24.5	5	48	6.7	\$ 557
MM-6324TWBL	63	24.5	5	75	7.0	\$ 572
MM-6624TWBL	66	24.5	5	52	7.3	\$ 587
MM-6924TWBL	69	24.5	5	82	7.6	\$ 603
MM-7224TWBL	72	24.5	5	57	7.9	\$ 618
MM-7524TWBL	75	24.5	5	89	8.3	\$ 636
MM-7824TWBL	78	24.5	5	62	8.6	\$ 652
MM-8124TWBL	81	24.5	5	96	8.9	\$ 667
MM-8424TWBL	84	24.5	5	67	9.2	\$ 681
MM-8724TWBL	87	24.5	5	103	9.6	\$ 698
MM-9024TWBL	90	24.5	5	71	9.9	\$ 713
MM-9324TWBL	93	24.5	5	110	10.2	\$ 728
MM-9624TWBL	96	24.5	5	76	10.5	\$ 743
MM-9924TWBL	99	24.5	5	118	10.8	\$ 759
MM-10224TWBL	102	24.5	5	81	11.2	\$ 775
MM-10524TWBL	105	24.5	5	125	11.5	\$ 791
MM-10824TWBL	108	24.5	5	86	11.8	\$ 806
MM-11124TWBL	111	24.5	5	132	12.1	\$ 823
MM-11424TWBL	114	24.5	5	90	12.5	\$ 838
MM-11724TWBL	117	24.5	5	139	12.8	\$ 854
MM-12024TWBL	120	24.5	5	95	13.1	\$ 868

**OPTIONS**

Top Finish	Edge Finish	Side Splash	Sink	Faucet	Waste Ring
HPL Woodgrain Laminate <i>Quartered</i> QEP DSP PCP MEP COP STP NWP <i>Flat Cut</i> CHP KDP HNP CMP MGP TMP BUP BEP GRP <i>Textured Laminate</i> (10% upcharge) NGP NHG HPL Solid Color Laminate BLP GRP SGP FWP RWP	TFL Woodgrain Laminate <i>Quartered</i> QE2 DS2 PC2 EN2 CO2 ST2 NW2 <i>Flat Cut</i> LC2 KD2 MH2 MC2 VM2 LM2 BU2 BE2 GR2 <i>Textured Laminate</i> (10% upcharge) NG2 NH2 TFL Solid Color Laminate BL2 GR2 SG2 FW2 RW2	X9 None B5G Left \$58 B5H Right \$58 B5J Both \$116	X9 None B5P Drop-in 4.5" Deep \$1626 DRS1 Drop-in 4.5" Deep with Overflow \$1905 DRS2 Drop-in 7.5" Deep with Overflow \$1842	X9 None B5R Paddle Handle 3.5" Gooseneck \$1131 B5S Sensor 5.25" Gooseneck \$1607 HND1 Single Handle 5.75" Gooseneck \$1133 HND2 Sensor 4.875" Spout \$2116 HND3 Paddle Handle 8" Gooseneck \$1593 HND4 Single Handle 4.5" Spout \$1306 HND5 Sensor Edge 4.75" Spout \$4171	X9 None B5U Black \$98 B5V Silver \$98
See pages 11-12 for a full list of HPL options	WP Self Edge for laminate color matching edge				

**HOW TO ORDER**

SPECIFY: Top finish | edge finish | finished edge | side splash | sink | faucet | waste ring.

**MODEL NUMBER**

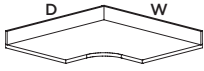
MM-1224TWBL

Top Finish	Edge Finish	Side Splash	Sink	Faucet	Waste Ring
NWP	FW2	B5G	B5P	B5R	B5U

**WORK SURFACES LAMINATE**

- 1" thick
- 4" tall backsplash
- When finished edges are specified, the finished edge will match front edge

**LAMINATE CORNER WORK SURFACE WITH BACKSPLASH**



**29.75" DEEP MODELS**

model	w	d	h	wt	cu ft	List
MM-3030CTWBL	29.75	29.75	5	25	4.1	\$ 354
MM-3430CTWBL	34	29.75	5	28	4.6	\$ 410
MM-4030CTWBL	40	29.75	5	33	5.4	\$ 506

**34" DEEP MODELS**

model	w	d	h	wt	cu ft	List
MM-3034CTWBL	29.75	34	5	28	4.6	\$ 410
MM-3434CTWBL	34	34	5	32	5.3	\$ 471
MM-4034CTWBL	40	34	5	38	6.1	\$ 539

**40" DEEP MODELS**

model	w	d	h	wt	cu ft	List
MM-3040CTWBL	29.75	40	5	33	5.4	\$ 506
MM-3440CTWBL	34	40	5	38	6.1	\$ 539
MM-4040CTWBL	40	40	5	44	7.1	\$ 657

**OPTIONS**

Top Finish	Edge Finish	Side Splash
HPL Woodgrain Laminate <i>Quartered</i> QEP DSP PCP MEP COP STP NWP <i>Flat Cut</i> CHP KDP HNP CMP MGP TMP BUP BEP QRP <i>Textured Laminate</i> <i>(10% upcharge)</i> NGP NHG  HPL Solid Color Laminate BLP GRP SGP FWP RWP	TFL Woodgrain Laminate <i>Quartered</i> QE2 DS2 PC2 EN2 CO2 ST2 NW2 <i>Flat Cut</i> LC2 KD2 MH2 MC2 VM2 LM2 BU2 BE2 QR2 <i>Textured Laminate</i> <i>(10% upcharge)</i> NG2 NH2  TFL Solid Color Laminate BL2 GR2 SG2 FW2 RW2	X9 None B5G Left \$58 B5H Right \$58 B5J Both \$116
See pages 11-12 for a full list of HPL options	WP Self Edge for laminate color matching edge	

**HOW TO ORDER**

SPECIFY: Top finish | edge finish | finished edge | side splash.

**MODEL NUMBER**

MM-3030CTWBL

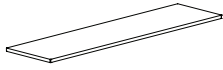
Top Finish	Edge Finish	Side Splash
NWP	FW2	B5G



**WORK SURFACES SOLID SURFACE**

- 1" thick rectangular top
- A non-finished edge must be specified if tops are to be hard seamed in field
- When waste ring option is selected please specify location
- For in between sizes, order next larger size and cut to meet specification

**SOLID SURFACE WORK SURFACE**



**14.25" DEEP MODELS**

model	w	d	h	wt	cu ft	Tier 1	Tier 2	Tier 3	Tier 4	Tier 5	Tier 6	Tier 7
MM-1214TS	12	14.25	1	9	0.4	\$ 515	\$ 608	\$ 715	\$ 823	\$ 898	\$ 1,018	\$ 1,096
MM-1514TS	15	14.25	1	11	0.5	\$ 526	\$ 621	\$ 730	\$ 840	\$ 917	\$ 1,039	\$ 1,119
MM-1814TS	18	14.25	1	14	0.6	\$ 536	\$ 634	\$ 745	\$ 857	\$ 936	\$ 1,060	\$ 1,142
MM-2114TS	21	14.25	1	16	0.6	\$ 555	\$ 656	\$ 771	\$ 887	\$ 968	\$ 1,098	\$ 1,182
MM-2414TS	24	14.25	1	18	0.7	\$ 601	\$ 710	\$ 835	\$ 960	\$ 1,049	\$ 1,188	\$ 1,280
MM-2714TS	27	14.25	1	21	0.8	\$ 614	\$ 726	\$ 853	\$ 981	\$ 1,072	\$ 1,215	\$ 1,308
MM-3014TS	30	14.25	1	23	0.9	\$ 626	\$ 740	\$ 870	\$ 1,000	\$ 1,092	\$ 1,238	\$ 1,333
MM-3314TS	33	14.25	1	25	1.0	\$ 679	\$ 802	\$ 944	\$ 1,085	\$ 1,185	\$ 1,344	\$ 1,447
MM-3614TS	36	14.25	1	27	1.1	\$ 733	\$ 866	\$ 1,018	\$ 1,171	\$ 1,279	\$ 1,449	\$ 1,561
MM-3914TS	39	14.25	1	30	1.2	\$ 759	\$ 897	\$ 1,055	\$ 1,213	\$ 1,325	\$ 1,501	\$ 1,617
MM-4214TS	42	14.25	1	32	1.2	\$ 785	\$ 928	\$ 1,091	\$ 1,254	\$ 1,370	\$ 1,553	\$ 1,672
MM-4514TS	45	14.25	1	34	1.3	\$ 876	\$ 1,035	\$ 1,217	\$ 1,399	\$ 1,528	\$ 1,732	\$ 1,865
MM-4814TS	48	14.25	1	37	1.4	\$ 965	\$ 1,140	\$ 1,340	\$ 1,542	\$ 1,684	\$ 1,908	\$ 2,055
MM-5114TS	51	14.25	1	39	1.5	\$ 1,014	\$ 1,198	\$ 1,409	\$ 1,620	\$ 1,769	\$ 2,005	\$ 2,159
MM-5414TS	54	14.25	1	41	1.6	\$ 1,061	\$ 1,254	\$ 1,474	\$ 1,696	\$ 1,852	\$ 2,099	\$ 2,260
MM-5714TS	57	14.25	1	43	1.7	\$ 1,098	\$ 1,297	\$ 1,525	\$ 1,754	\$ 1,916	\$ 2,171	\$ 2,338
MM-6014TS	60	14.25	1	46	1.7	\$ 1,133	\$ 1,339	\$ 1,574	\$ 1,811	\$ 1,977	\$ 2,241	\$ 2,413
MM-6314TS	63	14.25	1	48	1.8	\$ 1,176	\$ 1,390	\$ 1,634	\$ 1,879	\$ 2,052	\$ 2,326	\$ 2,504
MM-6614TS	66	14.25	1	50	1.9	\$ 1,218	\$ 1,440	\$ 1,693	\$ 1,947	\$ 2,127	\$ 2,410	\$ 2,595
MM-6914TS	69	14.25	1	52	2.0	\$ 1,271	\$ 1,502	\$ 1,766	\$ 2,031	\$ 2,218	\$ 2,514	\$ 2,707
MM-7214TS	72	14.25	1	55	2.1	\$ 1,323	\$ 1,563	\$ 1,838	\$ 2,114	\$ 2,309	\$ 2,617	\$ 2,818
MM-7514TS	75	14.25	1	57	2.2	\$ 1,388	\$ 1,640	\$ 1,928	\$ 2,217	\$ 2,422	\$ 2,745	\$ 2,955
MM-7814TS	78	14.25	1	59	2.3	\$ 1,452	\$ 1,716	\$ 2,018	\$ 2,321	\$ 2,534	\$ 2,872	\$ 3,093
MM-8114TS	81	14.25	1	62	2.3	\$ 1,506	\$ 1,780	\$ 2,092	\$ 2,407	\$ 2,628	\$ 2,979	\$ 3,208
MM-8414TS	84	14.25	1	64	2.4	\$ 1,560	\$ 1,843	\$ 2,167	\$ 2,493	\$ 2,722	\$ 3,085	\$ 3,322
MM-8714TS	87	14.25	1	66	2.5	\$ 1,595	\$ 1,885	\$ 2,216	\$ 2,549	\$ 2,784	\$ 3,155	\$ 3,398

**OPTIONS**

Tier/Solid Surface	Finished Edge	Waste Ring
Tier 1	<b>X9</b> None <b>B5G</b> Left <b>\$83</b> <b>B5H</b> Right <b>\$83</b> <b>B5J</b> Both <b>\$166</b>	<b>X9</b> None <b>B5T</b> Integral <b>\$69</b> <b>B5U</b> Black <b>\$98</b> <b>B5V</b> Silver <b>\$98</b>
Tier 2		
Tier 3		
Tier 4		
Tier 5		
Tier 6		
Tier 7		
See page 13 for options/tiers		

**HOW TO ORDER**

SPECIFY: Tier/solid surface | finished edge | waste ring.

**MODEL NUMBER**

MM-1214TS

Tier/Solid Surface	Finished Edge	Waste Ring
Cameo White 1	B5J	B5U

**WORK SURFACES SOLID SURFACE (CONT.)**

- 1" thick rectangular top
- A non-finished edge must be specified if tops are to be hard seamed in field
- When waste ring option is selected please specify location
- For in between sizes, order next larger size and cut to meet specification

**SOLID SURFACE WORK SURFACE**



**14.25" DEEP MODELS**

model	w	d	h	wt	cu ft	Tier 1	Tier 2	Tier 3	Tier 4	Tier 5	Tier 6	Tier 7
MM-9014TS	90	14.25	1	68	2.6	\$ 1,630	\$ 1,926	\$ 2,265	\$ 2,605	\$ 2,845	\$ 3,224	\$ 3,472
MM-9314TS	93	14.25	1	71	2.7	\$ 1,717	\$ 2,029	\$ 2,385	\$ 2,744	\$ 2,996	\$ 3,396	\$ 3,657
MM-9614TS	96	14.25	1	73	2.8	\$ 1,804	\$ 2,132	\$ 2,506	\$ 2,883	\$ 3,148	\$ 3,568	\$ 3,842
MM-9914TS	99	14.25	1	75	2.8	\$ 1,834	\$ 2,167	\$ 2,548	\$ 2,931	\$ 3,200	\$ 3,627	\$ 3,906
MM-10214TS	102	14.25	1	78	2.9	\$ 1,864	\$ 2,203	\$ 2,590	\$ 2,979	\$ 3,253	\$ 3,687	\$ 3,970
MM-10514TS	105	14.25	1	80	3.0	\$ 1,949	\$ 2,303	\$ 2,708	\$ 3,114	\$ 3,401	\$ 3,855	\$ 4,151
MM-10814TS	108	14.25	1	82	3.1	\$ 2,033	\$ 2,402	\$ 2,824	\$ 3,247	\$ 3,547	\$ 4,020	\$ 4,328
MM-11114TS	111	14.25	1	84	3.2	\$ 2,103	\$ 2,485	\$ 2,922	\$ 3,361	\$ 3,670	\$ 4,160	\$ 4,479
MM-11414TS	114	14.25	1	87	3.3	\$ 2,173	\$ 2,567	\$ 3,019	\$ 3,472	\$ 3,792	\$ 4,298	\$ 4,628
MM-11714TS	117	14.25	1	89	3.4	\$ 2,249	\$ 2,657	\$ 3,124	\$ 3,593	\$ 3,924	\$ 4,448	\$ 4,789
MM-12014TS	120	14.25	1	91	3.4	\$ 2,324	\$ 2,745	\$ 3,228	\$ 3,713	\$ 4,054	\$ 4,595	\$ 4,948
MM-12314TS	123	14.25	1	94	3.5	\$ 2,352	\$ 2,779	\$ 3,267	\$ 3,758	\$ 4,104	\$ 4,652	\$ 5,008
MM-12614TS	126	14.25	1	96	3.6	\$ 2,380	\$ 2,812	\$ 3,306	\$ 3,802	\$ 4,152	\$ 4,706	\$ 5,067
MM-12914TS	129	14.25	1	98	3.7	\$ 2,466	\$ 2,914	\$ 3,426	\$ 3,940	\$ 4,303	\$ 4,877	\$ 5,251
MM-13214TS	132	14.25	1	100	3.8	\$ 2,551	\$ 3,014	\$ 3,544	\$ 4,076	\$ 4,452	\$ 5,046	\$ 5,433
MM-13514TS	135	14.25	1	103	3.9	\$ 2,606	\$ 3,079	\$ 3,620	\$ 4,164	\$ 4,548	\$ 5,154	\$ 5,550
MM-13814TS	138	14.25	1	105	3.9	\$ 2,660	\$ 3,143	\$ 3,696	\$ 4,251	\$ 4,642	\$ 5,262	\$ 5,665
MM-14114TS	141	14.25	1	107	4.0	\$ 2,735	\$ 3,232	\$ 3,800	\$ 4,370	\$ 4,773	\$ 5,409	\$ 5,825
MM-14414TS	144	14.25	1	110	4.1	\$ 2,809	\$ 3,319	\$ 3,903	\$ 4,489	\$ 4,902	\$ 5,556	\$ 5,983

**OPTIONS**

Tier/Solid Surface	Finished Edge	Waste Ring
Tier 1	X9 None	X9 None
Tier 2	B5G Left \$83	B5T Integral \$69
Tier 3	B5H Right \$83	B5U Black \$98
Tier 4	B5J Both \$166	B5V Silver \$98
Tier 5		
Tier 6		
Tier 7		
See page 13 for options/tiers		

**HOW TO ORDER**

SPECIFY: Tier/solid surface | finished edge | waste ring.

**MODEL NUMBER**

MM-9014TS

Tier/Solid Surface	Finished Edge	Waste Ring
Cameo White 1	B5J	B5U

**WORK SURFACES SOLID SURFACE (CONT.)**

- 1" thick rectangular top
- When finished edges are specified, the finished edge will match front edge
- When sink, faucet, and waste ring options are selected please specify location
- Lavatory drain not included with sinks, but required to complete installation
- Approximate size of sink is 16" x 11.5" x 4.5" with a standard lavatory drain hole (1 5/8" diameter)
- Sink not available on 12", 15", 18", and 21" width work surfaces
- For in between sizes, order next larger size and cut to meet specification

**SOLID SURFACE WORK SURFACE**



**18.5" DEEP MODELS**

model	w	d	h	wt	cu ft	Tier 1	Tier 2	Tier 3	Tier 4	Tier 5	Tier 6	Tier 7
MM-1218TS	12	18.5	1	11	0.5	\$ 571	\$ 675	\$ 793	\$ 912	\$ 996	\$ 1,129	\$ 1,216
MM-1518TS	15	18.5	1	14	0.6	\$ 582	\$ 688	\$ 809	\$ 930	\$ 1,016	\$ 1,151	\$ 1,240
MM-1818TS	18	18.5	1	17	0.7	\$ 593	\$ 701	\$ 824	\$ 948	\$ 1,035	\$ 1,173	\$ 1,263
MM-2118TS	21	18.5	1	20	0.8	\$ 612	\$ 723	\$ 850	\$ 978	\$ 1,068	\$ 1,210	\$ 1,303
MM-2418TS	24	18.5	1	23	0.9	\$ 659	\$ 778	\$ 915	\$ 1,052	\$ 1,149	\$ 1,302	\$ 1,402
MM-2718TS	27	18.5	1	25	1.0	\$ 671	\$ 793	\$ 932	\$ 1,072	\$ 1,171	\$ 1,327	\$ 1,429
MM-3018TS	30	18.5	1	28	1.1	\$ 682	\$ 806	\$ 948	\$ 1,090	\$ 1,191	\$ 1,350	\$ 1,454
MM-3318TS	33	18.5	1	31	1.2	\$ 737	\$ 871	\$ 1,024	\$ 1,178	\$ 1,287	\$ 1,458	\$ 1,570
MM-3618TS	36	18.5	1	34	1.4	\$ 791	\$ 934	\$ 1,099	\$ 1,264	\$ 1,380	\$ 1,564	\$ 1,684
MM-3918TS	39	18.5	1	37	1.5	\$ 817	\$ 965	\$ 1,135	\$ 1,306	\$ 1,426	\$ 1,616	\$ 1,740
MM-4218TS	42	18.5	1	39	1.6	\$ 841	\$ 994	\$ 1,169	\$ 1,345	\$ 1,469	\$ 1,665	\$ 1,792
MM-4518TS	45	18.5	1	42	1.7	\$ 965	\$ 1,140	\$ 1,341	\$ 1,542	\$ 1,684	\$ 1,909	\$ 2,055
MM-4818TS	48	18.5	1	45	1.8	\$ 1,089	\$ 1,287	\$ 1,513	\$ 1,740	\$ 1,901	\$ 2,154	\$ 2,320
MM-5118TS	51	18.5	1	48	1.9	\$ 1,132	\$ 1,338	\$ 1,573	\$ 1,809	\$ 1,975	\$ 2,239	\$ 2,411
MM-5418TS	54	18.5	1	51	2.0	\$ 1,174	\$ 1,388	\$ 1,631	\$ 1,876	\$ 2,049	\$ 2,322	\$ 2,501
MM-5718TS	57	18.5	1	53	2.1	\$ 1,206	\$ 1,425	\$ 1,675	\$ 1,927	\$ 2,104	\$ 2,385	\$ 2,568
MM-6018TS	60	18.5	1	56	2.2	\$ 1,238	\$ 1,463	\$ 1,720	\$ 1,978	\$ 2,160	\$ 2,449	\$ 2,637
MM-6318TS	63	18.5	1	59	2.3	\$ 1,286	\$ 1,520	\$ 1,787	\$ 2,055	\$ 2,244	\$ 2,544	\$ 2,739
MM-6618TS	66	18.5	1	62	2.4	\$ 1,334	\$ 1,577	\$ 1,854	\$ 2,132	\$ 2,328	\$ 2,639	\$ 2,841
MM-6918TS	69	18.5	1	65	2.5	\$ 1,386	\$ 1,638	\$ 1,925	\$ 2,214	\$ 2,418	\$ 2,741	\$ 2,951
MM-7218TS	72	18.5	1	68	2.6	\$ 1,437	\$ 1,698	\$ 1,997	\$ 2,297	\$ 2,508	\$ 2,843	\$ 3,061
MM-7518TS	75	18.5	1	70	2.7	\$ 1,501	\$ 1,774	\$ 2,085	\$ 2,399	\$ 2,619	\$ 2,969	\$ 3,197
MM-7818TS	78	18.5	1	73	2.8	\$ 1,565	\$ 1,850	\$ 2,175	\$ 2,502	\$ 2,732	\$ 3,097	\$ 3,335
MM-8118TS	81	18.5	1	76	3.0	\$ 1,618	\$ 1,912	\$ 2,248	\$ 2,585	\$ 2,824	\$ 3,200	\$ 3,446
MM-8418TS	84	18.5	1	79	3.1	\$ 1,670	\$ 1,974	\$ 2,320	\$ 2,669	\$ 2,915	\$ 3,303	\$ 3,557
MM-8718TS	87	18.5	1	82	3.2	\$ 1,709	\$ 2,019	\$ 2,374	\$ 2,730	\$ 2,982	\$ 3,380	\$ 3,639

**OPTIONS**

Tier/Solid Surface	Finished Edge	Sink	Faucet	Waste Ring
Tier 1	X9 None	X9 None	X9 None	X9 None
Tier 2	B5G Left <b>\$83</b>	B5P Drop-in <b>\$1626</b>	B5R Paddle Handle 3.5" Gooseneck <b>\$1131</b>	B5T Integral <b>\$69</b>
Tier 3	B5H Right <b>\$83</b>	DRS1 Drop-in 4.5" Deep with Overflow <b>\$1905</b>	B5S Sensor 5.25" Gooseneck <b>\$1607</b>	B5U Black <b>\$98</b>
Tier 4	B5J Both <b>\$166</b>	DRS2 Drop-in 7.5" Deep with Overflow <b>\$1842</b>	HND1 Single Handle 5.75" Gooseneck <b>\$1133</b>	B5V Silver <b>\$98</b>
Tier 5		B5M Undermount <b>\$1330</b>	HND2 Sensor 4.875" Spout <b>\$2116</b>	
Tier 6		UMS1 Undermount 4.5" Deep with Overflow <b>\$1707</b>	HND3 Paddle Handle B" Gooseneck <b>\$1593</b>	
Tier 7		UMS2 Undermount 7.5" Deep with Overflow <b>\$1638</b>	HND4 Single Handle 4.5" Spout <b>\$1306</b>	
See page 13 for options/tiers		B5K Integral <b>\$1437</b>	HND5 Sensor Edge 4.75" Spout <b>\$4171</b>	
		DRS3 Integral 4.5" Deep with Overflow <b>\$1727</b>		
		DRS4 Integral 7.5" Deep <b>\$1900</b>		

**HOW TO ORDER**

SPECIFY: Tier/solid surface | finished edge | sink | faucet | waste ring.

**MODEL NUMBER**

MM-1218TS

Tier/Solid Surface	Finished Edge	Sink	Faucet	Waste Ring
Cameo White 1	B5J	B5P	B5R	B5U

**WORK SURFACES SOLID SURFACE (CONT.)**

- 1" thick rectangular top
- When finished edges are specified, the finished edge will match front edge
- When sink, faucet, and waste ring options are selected please specify location
- Lavatory drain not included with sinks, but required to complete installation
- Approximate size of sink is 16" x 11.5" x 4.5" with a standard lavatory drain hole (1 5/8" diameter)
- Sink not available on 12", 15", 18", and 21" width work surfaces
- For in between sizes, order next larger size and cut to meet specification

**SOLID SURFACE WORK SURFACE**



**18.5" DEEP MODELS**

model	w	d	h	wt	cu ft	Tier 1	Tier 2	Tier 3	Tier 4	Tier 5	Tier 6	Tier 7
MM-9018TS	90	18.5	1	84	3.3	\$ 1,746	\$ 2,063	\$ 2,426	\$ 2,790	\$ 3,047	\$ 3,454	\$ 3,719
MM-9318TS	93	18.5	1	87	3.4	\$ 1,833	\$ 2,166	\$ 2,547	\$ 2,929	\$ 3,199	\$ 3,625	\$ 3,904
MM-9618TS	96	18.5	1	90	3.5	\$ 1,918	\$ 2,267	\$ 2,665	\$ 3,066	\$ 3,348	\$ 3,795	\$ 4,086
MM-9918TS	99	18.5	1	93	3.6	\$ 1,947	\$ 2,301	\$ 2,705	\$ 3,111	\$ 3,397	\$ 3,851	\$ 4,146
MM-10218TS	102	18.5	1	96	3.7	\$ 1,975	\$ 2,334	\$ 2,744	\$ 3,156	\$ 3,447	\$ 3,907	\$ 4,207
MM-10518TS	105	18.5	1	98	3.8	\$ 2,061	\$ 2,435	\$ 2,863	\$ 3,293	\$ 3,596	\$ 4,076	\$ 4,389
MM-10818TS	108	18.5	1	101	3.9	\$ 2,147	\$ 2,536	\$ 2,982	\$ 3,430	\$ 3,746	\$ 4,245	\$ 4,571
MM-11118TS	111	18.5	1	104	4.0	\$ 2,219	\$ 2,622	\$ 3,083	\$ 3,545	\$ 3,872	\$ 4,388	\$ 4,725
MM-11418TS	114	18.5	1	107	4.1	\$ 2,290	\$ 2,706	\$ 3,181	\$ 3,659	\$ 3,996	\$ 4,529	\$ 4,877
MM-11718TS	117	18.5	1	110	4.2	\$ 2,353	\$ 2,780	\$ 3,269	\$ 3,760	\$ 4,106	\$ 4,654	\$ 5,011
MM-12018TS	120	18.5	1	113	4.3	\$ 2,415	\$ 2,854	\$ 3,355	\$ 3,859	\$ 4,215	\$ 4,777	\$ 5,144
MM-12318TS	123	18.5	1	115	4.4	\$ 2,453	\$ 2,899	\$ 3,408	\$ 3,920	\$ 4,281	\$ 4,852	\$ 5,225
MM-12618TS	126	18.5	1	118	4.6	\$ 2,492	\$ 2,945	\$ 3,462	\$ 3,982	\$ 4,349	\$ 4,929	\$ 5,307
MM-12918TS	129	18.5	1	121	4.7	\$ 2,579	\$ 3,047	\$ 3,583	\$ 4,121	\$ 4,501	\$ 5,101	\$ 5,493
MM-13218TS	132	18.5	1	124	4.8	\$ 2,665	\$ 3,149	\$ 3,703	\$ 4,259	\$ 4,651	\$ 5,271	\$ 5,676
MM-13518TS	135	18.5	1	127	4.9	\$ 2,720	\$ 3,214	\$ 3,779	\$ 4,346	\$ 4,746	\$ 5,380	\$ 5,793
MM-13818TS	138	18.5	1	129	5.0	\$ 2,774	\$ 3,278	\$ 3,855	\$ 4,434	\$ 4,842	\$ 5,488	\$ 5,909
MM-14118TS	141	18.5	1	132	5.1	\$ 2,849	\$ 3,366	\$ 3,958	\$ 4,552	\$ 4,971	\$ 5,635	\$ 6,067
MM-14418TS	144	18.5	1	135	5.2	\$ 2,923	\$ 3,454	\$ 4,061	\$ 4,671	\$ 5,101	\$ 5,782	\$ 6,226

**OPTIONS**

Tier/Solid Surface	Finished Edge	Sink	Faucet	Waste Ring
Tier 1	X9 None	X9 None	X9 None	X9 None
Tier 2	B5G Left <b>\$83</b>	B5P Drop-in <b>\$1626</b>	B5R Paddle Handle 3.5" Gooseneck <b>\$1131</b>	B5T Integral <b>\$69</b>
Tier 3	B5H Right <b>\$83</b>	DRS1 Drop-in 4.5" Deep with Overflow <b>\$1905</b>	B5S Sensor 5.25" Gooseneck <b>\$1607</b>	B5U Black <b>\$98</b>
Tier 4	B5J Both <b>\$166</b>	DRS2 Drop-in 7.5" Deep with Overflow <b>\$1842</b>	HND1 Single Handle 5.75" Gooseneck <b>\$1133</b>	B5V Silver <b>\$98</b>
Tier 5		B5M Undermount <b>\$1330</b>	HND2 Sensor 4.875" Spout <b>\$2116</b>	
Tier 6		UMS1 Undermount 4.5" Deep with Overflow <b>\$1707</b>	HND3 Paddle Handle B" Gooseneck <b>\$1593</b>	
Tier 7		UMS2 Undermount 7.5" Deep with Overflow <b>\$1638</b>	HND4 Single Handle 4.5" Spout <b>\$1306</b>	
See page 13 for options/tiers		B5K Integral <b>\$1437</b>	HND5 Sensor Edge 4.75" Spout <b>\$4171</b>	
		DRS3 Integral 4.5" Deep with Overflow <b>\$1727</b>		
		DRS4 Integral 7.5" Deep <b>\$1900</b>		

**HOW TO ORDER**

SPECIFY: Tier/solid surface | finished edge | sink | faucet | waste ring.

**MODEL NUMBER**

MM-9018TS

Tier/Solid Surface	Finished Edge	Sink	Faucet	Waste Ring
Cameo White 1	B5J	B5P	B5R	B5U

**WORK SURFACES SOLID SURFACE (CONT.)**

- 1" thick rectangular top
- When finished edges are specified, the finished edge will match front edge
- When sink, faucet, and waste ring options are selected please specify location
- Lavatory drain not included with sinks, but required to complete installation
- Approximate size of sink is 16" x 11.5" x 4.5" with a standard lavatory drain hole (1 5/8" diameter)
- Sink not available on 12", 15", 18", and 21" width work surfaces
- For in between sizes, order next larger size and cut to meet specification

**SOLID SURFACE WORK SURFACE**



**24.5" DEEP MODELS**

model	w	d	h	wt	cu ft	Tier 1	Tier 2	Tier 3	Tier 4	Tier 5	Tier 6	Tier 7
MM-1224TS	12	24.5	1	14	0.6	\$ 600	\$ 709	\$ 833	\$ 959	\$ 1,047	\$ 1,187	\$ 1,278
MM-1524TS	15	24.5	1	18	0.8	\$ 620	\$ 733	\$ 862	\$ 991	\$ 1,082	\$ 1,227	\$ 1,321
MM-1824TS	18	24.5	1	21	0.9	\$ 638	\$ 754	\$ 887	\$ 1,020	\$ 1,114	\$ 1,262	\$ 1,359
MM-2124TS	21	24.5	1	25	1.1	\$ 676	\$ 798	\$ 939	\$ 1,080	\$ 1,179	\$ 1,337	\$ 1,439
MM-2424TS	24	24.5	1	29	1.2	\$ 709	\$ 838	\$ 986	\$ 1,134	\$ 1,238	\$ 1,404	\$ 1,511
MM-2724TS	27	24.5	1	32	1.3	\$ 763	\$ 902	\$ 1,060	\$ 1,219	\$ 1,332	\$ 1,510	\$ 1,625
MM-3024TS	30	24.5	1	36	1.5	\$ 816	\$ 964	\$ 1,134	\$ 1,304	\$ 1,424	\$ 1,614	\$ 1,738
MM-3324TS	33	24.5	1	39	1.6	\$ 923	\$ 1,091	\$ 1,282	\$ 1,475	\$ 1,611	\$ 1,826	\$ 1,966
MM-3624TS	36	24.5	1	43	1.7	\$ 1,029	\$ 1,216	\$ 1,430	\$ 1,645	\$ 1,797	\$ 2,037	\$ 2,193
MM-3924TS	39	24.5	1	46	1.9	\$ 1,117	\$ 1,320	\$ 1,552	\$ 1,785	\$ 1,949	\$ 2,209	\$ 2,379
MM-4224TS	42	24.5	1	50	2.0	\$ 1,204	\$ 1,423	\$ 1,673	\$ 1,924	\$ 2,101	\$ 2,382	\$ 2,565
MM-4524TS	45	24.5	1	53	2.2	\$ 1,235	\$ 1,459	\$ 1,716	\$ 1,973	\$ 2,155	\$ 2,443	\$ 2,630
MM-4824TS	48	24.5	1	57	2.3	\$ 1,265	\$ 1,495	\$ 1,758	\$ 2,022	\$ 2,208	\$ 2,502	\$ 2,694
MM-5124TS	51	24.5	1	61	2.4	\$ 1,324	\$ 1,564	\$ 1,839	\$ 2,116	\$ 2,310	\$ 2,619	\$ 2,820
MM-5424TS	54	24.5	1	64	2.6	\$ 1,381	\$ 1,632	\$ 1,919	\$ 2,207	\$ 2,411	\$ 2,733	\$ 2,942
MM-5724TS	57	24.5	1	68	2.7	\$ 1,448	\$ 1,711	\$ 2,011	\$ 2,313	\$ 2,526	\$ 2,863	\$ 3,083
MM-6024TS	60	24.5	1	71	2.9	\$ 1,512	\$ 1,787	\$ 2,101	\$ 2,416	\$ 2,639	\$ 2,991	\$ 3,220
MM-6324TS	63	24.5	1	75	3.0	\$ 1,578	\$ 1,864	\$ 2,192	\$ 2,521	\$ 2,753	\$ 3,120	\$ 3,360
MM-6624TS	66	24.5	1	78	3.1	\$ 1,642	\$ 1,940	\$ 2,282	\$ 2,624	\$ 2,866	\$ 3,248	\$ 3,497
MM-6924TS	69	24.5	1	82	3.3	\$ 1,709	\$ 2,019	\$ 2,374	\$ 2,730	\$ 2,982	\$ 3,380	\$ 3,639
MM-7224TS	72	24.5	1	86	3.4	\$ 1,774	\$ 2,096	\$ 2,465	\$ 2,835	\$ 3,096	\$ 3,509	\$ 3,778
MM-7524TS	75	24.5	1	89	3.5	\$ 1,861	\$ 2,199	\$ 2,585	\$ 2,974	\$ 3,247	\$ 3,681	\$ 3,963
MM-7824TS	78	24.5	1	93	3.7	\$ 1,947	\$ 2,301	\$ 2,705	\$ 3,112	\$ 3,398	\$ 3,851	\$ 4,147
MM-8124TS	81	24.5	1	96	3.8	\$ 2,034	\$ 2,403	\$ 2,826	\$ 3,250	\$ 3,549	\$ 4,023	\$ 4,331
MM-8424TS	84	24.5	1	100	4.0	\$ 2,120	\$ 2,505	\$ 2,946	\$ 3,388	\$ 3,700	\$ 4,194	\$ 4,515
MM-8724TS	87	24.5	1	103	4.1	\$ 2,206	\$ 2,607	\$ 3,065	\$ 3,525	\$ 3,850	\$ 4,364	\$ 4,699

**OPTIONS**

Tier/Solid Surface	Finished Edge	Sink	Faucet	Waste Ring
Tier 1	X9 None	X9 None	X9 None	X9 None
Tier 2	B5G Left \$83	B5P Drop-in \$1626	B5R Paddle Handle 3.5" Gooseneck \$1131	B5T Integral \$69
Tier 3	B5H Right \$83	DRS1 Drop-in 4.5" Deep with Overflow \$1905	B5S Sensor 5.25" Gooseneck \$1607	B5U Black \$98
Tier 4	B5J Both \$166	DRS2 Drop-in 7.5" Deep with Overflow \$1842	HND1 Single Handle 5.75" Gooseneck \$1133	B5V Silver \$98
Tier 5		B5M Undermount \$1330	HND2 Sensor 4.875" Spout \$2116	
Tier 6		UMS1 Undermount 4.5" Deep with Overflow \$1707	HND3 Paddle Handle B" Gooseneck \$1593	
Tier 7		UMS2 Undermount 7.5" Deep with Overflow \$1638	HND4 Single Handle 4.5" Spout \$1306	
See page 13 for options/tiers		B5K Integral \$1437	HND5 Sensor Edge 4.75" Spout \$4171	
		DRS3 Integral 4.5" Deep with Overflow \$1727		
		DRS4 Integral 7.5" Deep \$1900		

**HOW TO ORDER**

SPECIFY: Tier/solid surface | finished edge | sink | faucet | waste ring.

**MODEL NUMBER**

MM-1224TS

Tier/Solid Surface	Finished Edge	Sink	Faucet	Waste Ring
Cameo White 1	B5J	B5P	B5R	B5U

**WORK SURFACES SOLID SURFACE (CONT.)**

- 1" thick rectangular top
- When finished edges are specified, the finished edge will match front edge
- When sink, faucet, and waste ring options are selected please specify location
- Lavatory drain not included with sinks, but required to complete installation
- Approximate size of sink is 16" x 11.5" x 4.5" with a standard lavatory drain hole (1 5/8" diameter)
- Sink not available on 12", 15", 18", and 21" width work surfaces
- For in between sizes, order next larger size and cut to meet specification

**SOLID SURFACE WORK SURFACE**



**24.5" DEEP MODELS**

model	w	d	h	wt	cu ft	Tier 1	Tier 2	Tier 3	Tier 4	Tier 5	Tier 6	Tier 7
MM-9024TS	90	24.5	1	107	4.2	\$ 2,293	\$ 2,709	\$ 3,185	\$ 3,664	\$ 4,001	\$ 4,535	\$ 4,883
MM-9324TS	93	24.5	1	110	4.4	\$ 2,380	\$ 2,812	\$ 3,306	\$ 3,803	\$ 4,153	\$ 4,707	\$ 5,068
MM-9624TS	96	24.5	1	114	4.5	\$ 2,465	\$ 2,912	\$ 3,424	\$ 3,938	\$ 4,301	\$ 4,874	\$ 5,248
MM-9924TS	99	24.5	1	118	4.6	\$ 2,552	\$ 3,016	\$ 3,546	\$ 4,078	\$ 4,454	\$ 5,048	\$ 5,435
MM-10224TS	102	24.5	1	121	4.8	\$ 2,639	\$ 3,118	\$ 3,666	\$ 4,217	\$ 4,605	\$ 5,220	\$ 5,620
MM-10524TS	105	24.5	1	125	4.9	\$ 2,724	\$ 3,219	\$ 3,784	\$ 4,353	\$ 4,754	\$ 5,388	\$ 5,801
MM-10824TS	108	24.5	1	128	5.1	\$ 2,809	\$ 3,319	\$ 3,903	\$ 4,489	\$ 4,902	\$ 5,556	\$ 5,983
MM-11124TS	111	24.5	1	132	5.2	\$ 2,880	\$ 3,403	\$ 4,001	\$ 4,602	\$ 5,026	\$ 5,696	\$ 6,133
MM-11424TS	114	24.5	1	135	5.3	\$ 2,950	\$ 3,485	\$ 3,098	\$ 4,713	\$ 5,147	\$ 5,833	\$ 6,281
MM-11724TS	117	24.5	1	139	5.5	\$ 3,018	\$ 3,566	\$ 4,193	\$ 4,823	\$ 5,267	\$ 5,970	\$ 6,428
MM-12024TS	120	24.5	1	143	5.6	\$ 3,087	\$ 3,648	\$ 4,289	\$ 4,933	\$ 5,387	\$ 6,106	\$ 6,575
MM-12324TS	123	24.5	1	146	5.8	\$ 3,157	\$ 3,730	\$ 4,386	\$ 5,044	\$ 5,509	\$ 6,244	\$ 6,723
MM-12624TS	126	24.5	1	150	5.9	\$ 3,226	\$ 3,811	\$ 4,481	\$ 5,154	\$ 5,628	\$ 6,379	\$ 6,869
MM-12924TS	129	24.5	1	153	6.0	\$ 3,295	\$ 3,893	\$ 4,577	\$ 5,265	\$ 5,749	\$ 6,516	\$ 7,016
MM-13224TS	132	24.5	1	157	6.2	\$ 3,363	\$ 3,974	\$ 4,672	\$ 5,374	\$ 5,869	\$ 6,652	\$ 7,162
MM-13524TS	135	24.5	1	160	6.3	\$ 3,433	\$ 4,056	\$ 4,769	\$ 5,485	\$ 5,991	\$ 6,790	\$ 7,311
MM-13824TS	138	24.5	1	164	6.4	\$ 3,502	\$ 4,138	\$ 4,865	\$ 5,596	\$ 6,111	\$ 6,926	\$ 7,458
MM-14124TS	141	24.5	1	167	6.6	\$ 3,571	\$ 4,220	\$ 4,961	\$ 5,706	\$ 6,232	\$ 7,063	\$ 7,605
MM-14424TS	144	24.5	1	171	6.7	\$ 3,640	\$ 4,301	\$ 5,057	\$ 5,816	\$ 6,352	\$ 7,199	\$ 7,751

**OPTIONS**

Tier/Solid Surface	Finished Edge	Sink	Faucet	Waste Ring
Tier 1	X9 None	X9 None	X9 None	X9 None
Tier 2	B5G Left <b>\$83</b>	B5P Drop-in <b>\$1626</b>	B5R Paddle Handle 3.5" Gooseneck <b>\$1131</b>	B5T Integral <b>\$69</b>
Tier 3	B5H Right <b>\$83</b>	DRS1 Drop-in 4.5" Deep with Overflow <b>\$1905</b>	B5S Sensor 5.25" Gooseneck <b>\$1607</b>	B5U Black <b>\$98</b>
Tier 4	B5J Both <b>\$166</b>	DRS2 Drop-in 7.5" Deep with Overflow <b>\$1842</b>	HND1 Single Handle 5.75" Gooseneck <b>\$1133</b>	B5V Silver <b>\$98</b>
Tier 5		B5M Undermount <b>\$1330</b>	HND2 Sensor 4.875" Spout <b>\$2116</b>	
Tier 6		UMS1 Undermount 4.5" Deep with Overflow <b>\$1707</b>	HND3 Paddle Handle B" Gooseneck <b>\$1593</b>	
Tier 7		UMS2 Undermount 7.5" Deep with Overflow <b>\$1638</b>	HND4 Single Handle 4.5" Spout <b>\$1306</b>	
See page 13 for options/tiers		B5K Integral <b>\$1437</b>	HND5 Sensor Edge 4.75" Spout <b>\$4171</b>	
		DRS3 Integral 4.5" Deep with Overflow <b>\$1727</b>		
		DRS4 Integral 7.5" Deep <b>\$1900</b>		

**HOW TO ORDER**

SPECIFY: Tier/solid surface | finished edge | sink | faucet | waste ring.

**MODEL NUMBER**

MM-9024TS

Tier/Solid Surface	Finished Edge	Sink	Faucet	Waste Ring
Cameo White 1	B5J	B5P	B5R	B5U

**WORK SURFACES SOLID SURFACE**

- 1" thick
- A non-finished edge must be specified if tops are to be hard seamed in field

**SOLID SURFACE CORNER WORK SURFACE**



**29.75" DEEP MODELS**

model	w	d	h	wt	cu ft	Tier 1	Tier 2	Tier 3	Tier 4	Tier 5	Tier 6	Tier 7
MM-3030CTS	29.75	29.75	1	37	1.8	\$ 781	\$ 922	\$ 1,085	\$ 1,247	\$ 1,362	\$ 1,544	\$ 1,662
MM-3430CTS	34	29.75	1	42	2.0	\$ 906	\$ 1,070	\$ 1,258	\$ 1,447	\$ 1,580	\$ 1,790	\$ 1,928
MM-4030CTS	40	29.75	1	50	2.3	\$ 1,121	\$ 1,325	\$ 1,557	\$ 1,791	\$ 1,956	\$ 2,217	\$ 2,387

**34" DEEP MODELS**

model	w	d	h	wt	cu ft	Tier 1	Tier 2	Tier 3	Tier 4	Tier 5	Tier 6	Tier 7
MM-3034CTS	29.75	34	1	42	2.0	\$ 906	\$ 1,070	\$ 1,258	\$ 1,447	\$ 1,580	\$ 1,790	\$ 1,928
MM-3434CTS	34	34	1	48	2.3	\$ 1,042	\$ 1,231	\$ 1,447	\$ 1,665	\$ 1,818	\$ 2,060	\$ 2,218
MM-4034CTS	40	34	1	57	2.6	\$ 1,244	\$ 1,470	\$ 1,728	\$ 1,988	\$ 2,171	\$ 2,461	\$ 2,650

**40" DEEP MODELS**

model	w	d	h	wt	cu ft	Tier 1	Tier 2	Tier 3	Tier 4	Tier 5	Tier 6	Tier 7
MM-3040CTS	29.75	40	1	50	2.3	\$ 1,121	\$ 1,325	\$ 1,557	\$ 1,791	\$ 1,956	\$ 2,217	\$ 2,387
MM-3440CTS	34	40	1	57	2.6	\$ 1,244	\$ 1,470	\$ 1,728	\$ 1,988	\$ 2,171	\$ 2,461	\$ 2,650
MM-4040CTS	40	40	1	67	3.1	\$ 1,253	\$ 1,480	\$ 1,740	\$ 2,002	\$ 2,186	\$ 2,477	\$ 2,668

**OPTIONS**

Tier/Solid Surface	Finished Edge
Tier 1	X9 None
Tier 2	B5G Left \$83
Tier 3	B5H Right \$83
Tier 4	B5J Both \$166
Tier 5	
Tier 6	
Tier 7	
See page 13 for options/tiers	

**HOW TO ORDER**

SPECIFY: Tier/solid surface | finished edge.

**MODEL NUMBER**

MM-3030CTS

Tier/Solid Surface	Finished Edge
Cameo White 1	B5J

**WORK SURFACES SOLID SURFACE**

- 1" thick rectangular top
- 4" tall backsplash
- A non-finished edge must be specified if tops are to be hard seamed in field
- When waste ring option is selected please specify location
- Approximate size of sink is 16" x 11.5" x 4.5" with a standard lavatory drain hole (1 5/8" diameter"
- For in between sizes, order next larger size and cut to meet specification

**SOLID SURFACE WORK SURFACE WITH BACKSPLASH**



**14.25" DEEP MODELS**

model	w	d	h	wt	cu ft	Tier 1	Tier 2	Tier 3	Tier 4	Tier 5	Tier 6	Tier 7
MM-1214TWBS	12	14.25	5	9	0.9	\$ 581	\$ 686	\$ 807	\$ 928	\$ 1,013	\$ 1,149	\$ 1,237
MM-1514TWBS	15	14.25	5	12	1.1	\$ 592	\$ 700	\$ 823	\$ 946	\$ 1,033	\$ 1,171	\$ 1,261
MM-1814TWBS	18	14.25	5	14	1.3	\$ 605	\$ 715	\$ 840	\$ 966	\$ 1,055	\$ 1,196	\$ 1,287
MM-2114TWBS	21	14.25	5	16	1.5	\$ 626	\$ 739	\$ 869	\$ 1,000	\$ 1,092	\$ 1,238	\$ 1,333
MM-2414TWBS	24	14.25	5	18	1.7	\$ 677	\$ 800	\$ 941	\$ 1,082	\$ 1,182	\$ 1,340	\$ 1,443
MM-2714TWBS	27	14.25	5	21	1.9	\$ 692	\$ 818	\$ 961	\$ 1,105	\$ 1,207	\$ 1,368	\$ 1,473
MM-3014TWBS	30	14.25	5	23	2.1	\$ 705	\$ 833	\$ 980	\$ 1,127	\$ 1,231	\$ 1,395	\$ 1,503
MM-3314TWBS	33	14.25	5	25	2.3	\$ 767	\$ 906	\$ 1,065	\$ 1,225	\$ 1,338	\$ 1,517	\$ 1,633
MM-3614TWBS	36	14.25	5	27	2.5	\$ 827	\$ 977	\$ 1,148	\$ 1,321	\$ 1,442	\$ 1,635	\$ 1,760
MM-3914TWBS	39	14.25	5	30	2.7	\$ 856	\$ 1,011	\$ 1,189	\$ 1,368	\$ 1,494	\$ 1,693	\$ 1,823
MM-4214TWBS	42	14.25	5	32	2.9	\$ 885	\$ 1,046	\$ 1,230	\$ 1,414	\$ 1,545	\$ 1,751	\$ 1,885
MM-4514TWBS	45	14.25	5	34	3.1	\$ 987	\$ 1,166	\$ 1,371	\$ 1,577	\$ 1,722	\$ 1,952	\$ 2,102
MM-4814TWBS	48	14.25	5	37	3.3	\$ 1,088	\$ 1,286	\$ 1,512	\$ 1,739	\$ 1,899	\$ 2,152	\$ 2,317
MM-5114TWBS	51	14.25	5	39	3.5	\$ 1,143	\$ 1,350	\$ 1,588	\$ 1,826	\$ 1,994	\$ 2,260	\$ 2,434
MM-5414TWBS	54	14.25	5	41	3.7	\$ 1,197	\$ 1,414	\$ 1,663	\$ 1,912	\$ 2,088	\$ 2,367	\$ 2,548
MM-5714TWBS	57	14.25	5	43	3.9	\$ 1,237	\$ 1,462	\$ 1,719	\$ 1,977	\$ 2,159	\$ 2,447	\$ 2,634
MM-6014TWBS	60	14.25	5	46	4.1	\$ 1,278	\$ 1,510	\$ 1,775	\$ 2,041	\$ 2,229	\$ 2,527	\$ 2,721
MM-6314TWBS	63	14.25	5	48	4.3	\$ 1,326	\$ 1,567	\$ 1,842	\$ 2,119	\$ 2,314	\$ 2,623	\$ 2,824
MM-6614TWBS	66	14.25	5	50	4.5	\$ 1,374	\$ 1,624	\$ 1,909	\$ 2,196	\$ 2,398	\$ 2,718	\$ 2,927
MM-6914TWBS	69	14.25	5	52	4.7	\$ 1,433	\$ 1,693	\$ 1,991	\$ 2,290	\$ 2,501	\$ 2,835	\$ 3,052
MM-7214TWBS	72	14.25	5	55	4.9	\$ 1,492	\$ 1,763	\$ 2,073	\$ 2,384	\$ 2,603	\$ 2,951	\$ 3,177
MM-7514TWBS	75	14.25	5	57	5.1	\$ 1,564	\$ 1,848	\$ 2,173	\$ 2,499	\$ 2,730	\$ 3,094	\$ 3,331
MM-7814TWBS	78	14.25	5	59	5.3	\$ 1,638	\$ 1,935	\$ 2,275	\$ 2,616	\$ 2,857	\$ 3,238	\$ 3,487
MM-8114TWBS	81	14.25	5	62	5.5	\$ 1,698	\$ 2,006	\$ 2,359	\$ 2,714	\$ 2,964	\$ 3,359	\$ 3,617
MM-8414TWBS	84	14.25	5	64	5.7	\$ 1,759	\$ 2,078	\$ 2,444	\$ 2,811	\$ 3,069	\$ 3,479	\$ 3,746
MM-8714TWBS	87	14.25	5	66	5.9	\$ 1,799	\$ 2,126	\$ 2,499	\$ 2,874	\$ 3,139	\$ 3,558	\$ 3,831

**OPTIONS**

Tier/Solid Surface	Finished Edge	Side Splash	Waste Ring
Tier 1	<b>X9</b> None <b>B5G</b> Left <b>\$83</b> <b>B5H</b> Right <b>\$83</b> <b>B5J</b> Both <b>\$166</b>	<b>X9</b> None <b>B5G</b> Left <b>\$172</b> <b>B5H</b> Right <b>\$172</b> <b>B5J</b> Both <b>\$344</b>	<b>X9</b> None <b>B5T</b> Integral <b>\$69</b> <b>B5U</b> Black <b>\$98</b> <b>B5V</b> Silver <b>\$98</b>
Tier 2			
Tier 3			
Tier 4			
Tier 5			
Tier 6			
Tier 7			
See page 13 for options/tiers			

**HOW TO ORDER**

SPECIFY: Tier/solid surface | finished edge | side splash | waste ring.

**MODEL NUMBER**

MM-1214TWBS

Tier/Solid Surface	Finished Edge	Side Splash	Waste Ring
Cameo White 1	B5J	B5G	B5U



**WORK SURFACES SOLID SURFACE (CONT.)**

- 1" thick rectangular top
- 4" tall backsplash
- A non-finished edge must be specified if tops are to be hard seamed in field
- When waste ring option is selected please specify location
- Approximate size of sink is 16" x 11.5" x 4.5" with a standard lavatory drain hole (1 5/8" diameter"
- For in between sizes, order next larger size and cut to meet specification

**SOLID SURFACE WORK SURFACE WITH BACKSPLASH**



**14.25" DEEP MODELS**

model	w	d	h	wt	cu ft	Tier 1	Tier 2	Tier 3	Tier 4	Tier 5	Tier 6	Tier 7
MM-9014TWBS	90	14.25	5	68	6.1	\$ 1,838	\$ 2,171	\$ 2,553	\$ 2,936	\$ 3,207	\$ 3,635	\$ 3,914
MM-9314TWBS	93	14.25	5	71	6.3	\$ 1,936	\$ 2,288	\$ 2,690	\$ 3,094	\$ 3,378	\$ 3,829	\$ 4,123
MM-9614TWBS	96	14.25	5	73	6.5	\$ 2,034	\$ 2,404	\$ 2,826	\$ 3,250	\$ 3,550	\$ 4,023	\$ 4,332
MM-9914TWBS	99	14.25	5	75	6.6	\$ 2,068	\$ 2,444	\$ 2,873	\$ 3,304	\$ 3,609	\$ 4,090	\$ 4,404
MM-10214TWBS	102	14.25	5	78	6.8	\$ 2,101	\$ 2,483	\$ 2,919	\$ 3,358	\$ 3,667	\$ 4,156	\$ 4,475
MM-10514TWBS	105	14.25	5	80	7.0	\$ 2,197	\$ 2,596	\$ 3,052	\$ 3,511	\$ 3,834	\$ 4,345	\$ 4,679
MM-10814TWBS	108	14.25	5	82	7.2	\$ 2,291	\$ 2,707	\$ 3,182	\$ 3,660	\$ 3,997	\$ 4,531	\$ 4,879
MM-11114TWBS	111	14.25	5	84	7.4	\$ 2,371	\$ 2,802	\$ 3,294	\$ 3,789	\$ 4,137	\$ 4,689	\$ 5,049
MM-11414TWBS	114	14.25	5	87	7.6	\$ 2,450	\$ 2,895	\$ 3,403	\$ 3,914	\$ 4,275	\$ 4,845	\$ 5,217
MM-11714TWBS	117	14.25	5	89	7.8	\$ 2,535	\$ 2,995	\$ 3,522	\$ 4,051	\$ 4,424	\$ 5,014	\$ 5,399
MM-12014TWBS	120	14.25	5	91	8.0	\$ 2,619	\$ 3,095	\$ 3,639	\$ 4,185	\$ 4,570	\$ 5,180	\$ 5,578
MM-12314TWBS	123	14.25	5	94	8.2	\$ 2,651	\$ 3,132	\$ 3,683	\$ 4,236	\$ 4,626	\$ 5,243	\$ 5,646
MM-12614TWBS	126	14.25	5	96	8.4	\$ 2,682	\$ 3,169	\$ 3,726	\$ 4,286	\$ 4,680	\$ 5,305	\$ 5,712
MM-12914TWBS	129	14.25	5	98	8.6	\$ 2,781	\$ 3,286	\$ 3,863	\$ 4,443	\$ 4,852	\$ 5,499	\$ 5,921
MM-13214TWBS	132	14.25	5	100	8.8	\$ 2,877	\$ 3,399	\$ 3,996	\$ 4,596	\$ 5,019	\$ 5,689	\$ 6,126
MM-13514TWBS	135	14.25	5	103	9.0	\$ 2,937	\$ 3,471	\$ 4,081	\$ 4,694	\$ 5,126	\$ 5,810	\$ 6,256
MM-13814TWBS	138	14.25	5	105	9.2	\$ 2,463	\$ 3,508	\$ 4,130	\$ 4,756	\$ 5,197	\$ 5,896	\$ 6,351
MM-14114TWBS	141	14.25	5	107	9.4	\$ 3,083	\$ 3,643	\$ 4,283	\$ 4,926	\$ 5,380	\$ 6,098	\$ 6,566
MM-14414TWBS	144	14.25	5	110	9.6	\$ 3,167	\$ 3,743	\$ 4,400	\$ 5,061	\$ 5,527	\$ 6,264	\$ 6,745

**OPTIONS**

Tier/Solid Surface	Finished Edge	Side Splash	Waste Ring
Tier 1	X9 None	X9 None	X9 None
Tier 2	B5G Left <b>\$83</b>	B5G Left <b>\$172</b>	B5T Integral <b>\$69</b>
Tier 3	B5H Right <b>\$83</b>	B5H Right <b>\$172</b>	B5U Black <b>\$98</b>
Tier 4	B5J Both <b>\$166</b>	B5J Both <b>\$344</b>	B5V Silver <b>\$98</b>
Tier 5			
Tier 6			
Tier 7			
See page 13 for options/tiers			

**HOW TO ORDER**

SPECIFY: Tier/solid surface | finished edge | side splash | waste ring.

**MODEL NUMBER**

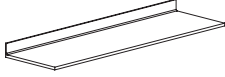
MM-9014TWBS

Tier/Solid Surface	Finished Edge	Side Splash	Waste Ring
Cameo White 1	B5J	B5G	B5U

**WORK SURFACES SOLID SURFACE (CONT.)**

- 1" thick rectangular top
- 4" tall backsplash
- When finished edges are specified, the finished edge will match front edge
- When sink, faucet, and waste ring options are selected please specify location
- Lavatory drain not included with sinks, but required to complete installation
- Approximate size of sink is 16" x 11.5" x 4.5" with a standard lavatory drain hole (1 5/8" diameter)"
- Sink not available on 12", 15", 18", and 21" width work surfaces
- For in between sizes, order next larger size and cut to meet specification

**SOLID SURFACE WORK SURFACE WITH BACKSPLASH**



**18.5" DEEP MODELS**

model	w	d	h	wt	cu ft	Tier 1	Tier 2	Tier 3	Tier 4	Tier 5	Tier 6	Tier 7
MM-1218TWBS	12	18.5	5	11	1.2	\$ 644	\$ 760	\$ 894	\$ 1,028	\$ 1,123	\$ 1,273	\$ 1,371
MM-1518TWBS	15	18.5	5	14	1.4	\$ 656	\$ 775	\$ 912	\$ 1,048	\$ 1,145	\$ 1,298	\$ 1,397
MM-1818TWBS	18	18.5	5	17	1.7	\$ 669	\$ 790	\$ 929	\$ 1,068	\$ 1,167	\$ 1,322	\$ 1,424
MM-2118TWBS	21	18.5	5	20	1.9	\$ 691	\$ 816	\$ 959	\$ 1,103	\$ 1,205	\$ 1,365	\$ 1,470
MM-2418TWBS	24	18.5	5	23	2.2	\$ 742	\$ 877	\$ 1,031	\$ 1,185	\$ 1,295	\$ 1,467	\$ 1,580
MM-2718TWBS	27	18.5	5	25	2.4	\$ 756	\$ 893	\$ 1,050	\$ 1,208	\$ 1,319	\$ 1,495	\$ 1,610
MM-3018TWBS	30	18.5	5	28	2.7	\$ 770	\$ 910	\$ 1,070	\$ 1,231	\$ 1,344	\$ 1,523	\$ 1,640
MM-3318TWBS	33	18.5	5	31	2.9	\$ 831	\$ 982	\$ 1,155	\$ 1,328	\$ 1,450	\$ 1,644	\$ 1,770
MM-3618TWBS	36	18.5	5	34	3.2	\$ 892	\$ 1,054	\$ 1,239	\$ 1,425	\$ 1,556	\$ 1,764	\$ 1,899
MM-3918TWBS	39	18.5	5	37	3.4	\$ 921	\$ 1,088	\$ 1,280	\$ 1,472	\$ 1,607	\$ 1,822	\$ 1,962
MM-4218TWBS	42	18.5	5	39	3.7	\$ 949	\$ 1,121	\$ 1,319	\$ 1,517	\$ 1,656	\$ 1,877	\$ 2,022
MM-4518TWBS	45	18.5	5	42	3.9	\$ 1,089	\$ 1,287	\$ 1,513	\$ 1,740	\$ 1,900	\$ 2,154	\$ 2,319
MM-4818TWBS	48	18.5	5	45	4.2	\$ 1,228	\$ 1,451	\$ 1,706	\$ 1,963	\$ 2,143	\$ 2,429	\$ 2,615
MM-5118TWBS	51	18.5	5	48	4.4	\$ 1,276	\$ 1,508	\$ 1,773	\$ 2,039	\$ 2,226	\$ 2,523	\$ 2,717
MM-5418TWBS	54	18.5	5	51	4.7	\$ 1,324	\$ 1,564	\$ 1,839	\$ 2,115	\$ 2,310	\$ 2,618	\$ 2,819
MM-5718TWBS	57	18.5	5	53	4.9	\$ 1,361	\$ 1,608	\$ 1,891	\$ 2,174	\$ 2,375	\$ 2,691	\$ 2,898
MM-6018TWBS	60	18.5	5	56	5.1	\$ 1,396	\$ 1,649	\$ 1,939	\$ 2,230	\$ 2,436	\$ 2,761	\$ 2,973
MM-6318TWBS	63	18.5	5	59	5.4	\$ 1,451	\$ 1,714	\$ 2,016	\$ 2,318	\$ 2,532	\$ 2,870	\$ 3,090
MM-6618TWBS	66	18.5	5	62	5.6	\$ 1,504	\$ 1,777	\$ 2,089	\$ 2,403	\$ 2,624	\$ 2,974	\$ 3,203
MM-6918TWBS	69	18.5	5	65	5.9	\$ 1,562	\$ 1,846	\$ 2,170	\$ 2,496	\$ 2,726	\$ 3,090	\$ 3,327
MM-7218TWBS	72	18.5	5	68	6.1	\$ 1,620	\$ 1,914	\$ 2,251	\$ 2,589	\$ 2,827	\$ 3,204	\$ 3,450
MM-7518TWBS	75	18.5	5	70	6.4	\$ 1,693	\$ 2,001	\$ 2,352	\$ 2,705	\$ 2,955	\$ 3,349	\$ 3,606
MM-7818TWBS	78	18.5	5	73	6.6	\$ 1,766	\$ 2,087	\$ 2,454	\$ 2,822	\$ 3,082	\$ 3,493	\$ 3,761
MM-8118TWBS	81	18.5	5	76	6.9	\$ 1,824	\$ 2,155	\$ 2,534	\$ 2,915	\$ 3,183	\$ 3,608	\$ 3,885
MM-8418TWBS	84	18.5	5	79	7.1	\$ 1,883	\$ 2,224	\$ 2,615	\$ 3,008	\$ 3,285	\$ 3,724	\$ 4,009
MM-8718TWBS	87	18.5	5	82	7.4	\$ 1,927	\$ 2,277	\$ 2,677	\$ 3,079	\$ 3,362	\$ 3,811	\$ 4,103

**OPTIONS**

Tier/Solid Surface	Finished Edge	Side Splash	Sink	Faucet	Waste Ring
Tier 1	X9 None	X9 None	X9 None	X9 None	X9 None
Tier 2	B5G Left <b>\$83</b>	B5G Left <b>\$172</b>	B5P Drop-in <b>\$1626</b>	B5R Paddle Handle 3.5" Gooseneck <b>\$1131</b>	B5T Integral <b>\$69</b>
Tier 3	B5H Right <b>\$83</b>	B5H Right <b>\$172</b>	DRS1 Drop-in 4.5" Deep with Overflow <b>\$1905</b>	B5S Sensor 5.25" Gooseneck <b>\$1607</b>	B5U Black <b>\$98</b>
Tier 4	B5J Both <b>\$166</b>	B5J Both <b>\$344</b>	DRS2 Drop-in 7.5" Deep with Overflow <b>\$1842</b>	HND1 Single Handle 5.75" Gooseneck <b>\$1133</b>	B5V Silver <b>\$98</b>
Tier 5			B5M Undermount <b>\$1330</b>	HND2 Sensor 4.875" Spout <b>\$2116</b>	
Tier 6			UMS1 Undermount 4.5" Deep with Overflow <b>\$1707</b>	HND3 Paddle Handle 8" Gooseneck <b>\$1593</b>	
Tier 7			UMS2 Undermount 7.5" Deep with Overflow <b>\$1638</b>	HND4 Single Handle 4.5" Spout <b>\$1306</b>	
See page 13 for options/tiers			B5K Integral <b>\$1437</b>	HND5 Sensor Edge 4.75" Spout <b>\$4171</b>	
			DRS3 Integral 4.5" Deep with Overflow <b>\$1727</b>		
			DRS4 Integral 7.5" Deep <b>\$1900</b>		

**HOW TO ORDER**

SPECIFY: Tier/solid surface | finished edge | side splash | sink | faucet | waste ring.

**MODEL NUMBER**

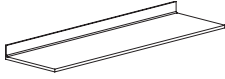
MM-1218TWBS

Tier/Solid Surface	Finished Edge	Side Splash	Sink	Faucet	Waste Ring
Cameo White 1	B5J	B5G	B5P	B5R	B5U

**WORK SURFACES SOLID SURFACE (CONT.)**

- 1" thick rectangular top
- 4" tall backsplash
- When finished edges are specified, the finished edge will match front edge
- When sink, faucet, and waste ring options are selected please specify location
- Lavatory drain not included with sinks, but required to complete installation
- Approximate size of sink is 16" x 11.5" x 4.5" with a standard lavatory drain hole (1 5/8" diameter)"
- Sink not available on 12", 15", 18", and 21" width work surfaces
- For in between sizes, order next larger size and cut to meet specification

**SOLID SURFACE WORK SURFACE WITH BACKSPLASH**



**18.5" DEEP MODELS**

model	w	d	h	wt	cu ft	Tier 1	Tier 2	Tier 3	Tier 4	Tier 5	Tier 6	Tier 7
MM-9018TWBS	90	18.5	5	84	7.6	\$ 1,968	\$ 2,326	\$ 2,735	\$ 3,145	\$ 3,435	\$ 3,893	\$ 4,192
MM-9318TWBS	93	18.5	5	87	7.9	\$ 2,066	\$ 2,441	\$ 2,870	\$ 3,301	\$ 3,605	\$ 4,086	\$ 4,400
MM-9618TWBS	96	18.5	5	90	8.1	\$ 2,164	\$ 2,557	\$ 3,006	\$ 3,458	\$ 3,776	\$ 4,280	\$ 4,608
MM-9918TWBS	99	18.5	5	93	8.4	\$ 2,196	\$ 2,595	\$ 3,051	\$ 3,509	\$ 3,832	\$ 4,343	\$ 4,677
MM-10218TWBS	102	18.5	5	96	8.6	\$ 2,227	\$ 2,631	\$ 3,094	\$ 3,558	\$ 3,886	\$ 4,404	\$ 4,742
MM-10518TWBS	105	18.5	5	98	8.9	\$ 2,324	\$ 2,746	\$ 3,229	\$ 3,713	\$ 4,055	\$ 4,596	\$ 4,949
MM-10818TWBS	108	18.5	5	101	9.1	\$ 2,419	\$ 2,859	\$ 3,361	\$ 3,866	\$ 4,222	\$ 4,785	\$ 5,153
MM-11118TWBS	111	18.5	5	104	9.4	\$ 2,501	\$ 2,955	\$ 3,475	\$ 3,996	\$ 4,364	\$ 4,946	\$ 5,326
MM-11418TWBS	114	18.5	5	107	9.6	\$ 2,582	\$ 3,050	\$ 3,587	\$ 4,125	\$ 4,505	\$ 5,106	\$ 5,498
MM-11718TWBS	117	18.5	5	110	9.9	\$ 2,654	\$ 3,136	\$ 3,687	\$ 4,240	\$ 4,631	\$ 5,249	\$ 5,651
MM-12018TWBS	120	18.5	5	113	10.1	\$ 2,723	\$ 3,217	\$ 3,783	\$ 4,351	\$ 4,751	\$ 5,385	\$ 5,799
MM-12318TWBS	123	18.5	5	115	10.4	\$ 2,767	\$ 3,270	\$ 3,844	\$ 4,421	\$ 4,829	\$ 5,473	\$ 5,893
MM-12618TWBS	126	18.5	5	118	10.6	\$ 2,810	\$ 3,320	\$ 3,903	\$ 4,489	\$ 4,903	\$ 5,557	\$ 5,984
MM-12918TWBS	129	18.5	5	121	10.9	\$ 2,908	\$ 3,436	\$ 4,040	\$ 4,647	\$ 5,074	\$ 5,751	\$ 6,193
MM-13218TWBS	132	18.5	5	124	11.1	\$ 3,005	\$ 3,551	\$ 4,175	\$ 4,802	\$ 5,244	\$ 5,943	\$ 6,400
MM-13518TWBS	135	18.5	5	127	11.4	\$ 3,067	\$ 3,624	\$ 4,261	\$ 4,901	\$ 5,352	\$ 6,066	\$ 6,531
MM-13818TWBS	138	18.5	5	129	11.6	\$ 3,130	\$ 3,698	\$ 4,348	\$ 5,000	\$ 5,461	\$ 6,189	\$ 6,664
MM-14118TWBS	141	18.5	5	132	11.9	\$ 3,213	\$ 3,796	\$ 4,464	\$ 5,134	\$ 5,607	\$ 6,355	\$ 6,842
MM-14418TWBS	144	18.5	5	135	12.1	\$ 3,296	\$ 3,895	\$ 4,579	\$ 5,267	\$ 5,751	\$ 6,519	\$ 7,019

**OPTIONS**

Tier/Solid Surface	Finished Edge	Side Splash	Sink	Faucet	Waste Ring
Tier 1	X9 None	X9 None	X9 None	X9 None	X9 None
Tier 2	B5G Left <b>\$83</b>	B5G Left <b>\$172</b>	B5P Drop-in <b>\$1626</b>	B5R Paddle Handle 3.5" Gooseneck <b>\$1131</b>	B5T Integral <b>\$69</b>
Tier 3	B5H Right <b>\$83</b>	B5H Right <b>\$172</b>	DRS1 Drop-in 4.5" Deep with Overflow <b>\$1905</b>	B5S Sensor 5.25" Gooseneck <b>\$1607</b>	B5U Black <b>\$98</b>
Tier 4	B5J Both <b>\$166</b>	B5J Both <b>\$344</b>	DRS2 Drop-in 7.5" Deep with Overflow <b>\$1842</b>	HND1 Single Handle 5.75" Gooseneck <b>\$1133</b>	B5V Silver <b>\$98</b>
Tier 5			B5M Undermount <b>\$1330</b>	HND2 Sensor 4.875" Spout <b>\$2116</b>	
Tier 6			UMS1 Undermount 4.5" Deep with Overflow <b>\$1707</b>	HND3 Paddle Handle 8" Gooseneck <b>\$1593</b>	
Tier 7			UMS2 Undermount 7.5" Deep with Overflow <b>\$1638</b>	HND4 Single Handle 4.5" Spout <b>\$1306</b>	
See page 13 for options/tiers			B5K Integral <b>\$1437</b>	HND5 Sensor Edge 4.75" Spout <b>\$4171</b>	
			DRS3 Integral 4.5" Deep with Overflow <b>\$1727</b>		
			DRS4 Integral 7.5" Deep <b>\$1900</b>		

**HOW TO ORDER**

SPECIFY: Tier/solid surface | finished edge | side splash | sink | faucet | waste ring.

**MODEL NUMBER**

MM-9018TWBS

Tier/Solid Surface	Finished Edge	Side Splash	Sink	Faucet	Waste Ring
Cameo White 1	B5J	B5G	B5P	B5R	B5U

**WORK SURFACES SOLID SURFACE (CONT.)**

- 1" thick rectangular top
- 4" tall backsplash
- When finished edges are specified, the finished edge will match front edge
- When sink, faucet, and waste ring options are selected please specify location
- Lavatory drain not included with sinks, but required to complete installation
- Approximate size of sink is 16" x 11.5" x 4.5" with a standard lavatory drain hole (1 5/8" diameter)"
- Sink not available on 12", 15", 18", and 21" width work surfaces
- For in between sizes, order next larger size and cut to meet specification

**SOLID SURFACE WORK SURFACE WITH BACKSPLASH**



**24.5" DEEP MODELS**

model	w	d	h	wt	cu ft	Tier 1	Tier 2	Tier 3	Tier 4	Tier 5	Tier 6	Tier 7
MM-1224TWBS	12	24.5	5	14	1.5	\$ 676	\$ 799	\$ 939	\$ 1,080	\$ 1,180	\$ 1,338	\$ 1,440
MM-1524TWBS	15	24.5	5	18	1.8	\$ 699	\$ 826	\$ 971	\$ 1,117	\$ 1,220	\$ 1,383	\$ 1,489
MM-1824TWBS	18	24.5	5	21	2.1	\$ 720	\$ 851	\$ 1,000	\$ 1,150	\$ 1,256	\$ 1,423	\$ 1,532
MM-2124TWBS	21	24.5	5	25	2.5	\$ 762	\$ 900	\$ 1,058	\$ 1,217	\$ 1,330	\$ 1,507	\$ 1,623
MM-2424TWBS	24	24.5	5	29	2.8	\$ 801	\$ 946	\$ 1,112	\$ 1,279	\$ 1,397	\$ 1,583	\$ 1,705
MM-2724TWBS	27	24.5	5	32	3.1	\$ 861	\$ 1,017	\$ 1,196	\$ 1,376	\$ 1,503	\$ 1,703	\$ 1,834
MM-3024TWBS	30	24.5	5	36	3.4	\$ 920	\$ 1,087	\$ 1,278	\$ 1,470	\$ 1,605	\$ 1,819	\$ 1,959
MM-3324TWBS	33	24.5	5	39	3.8	\$ 1,042	\$ 1,231	\$ 1,447	\$ 1,665	\$ 1,818	\$ 2,061	\$ 2,219
MM-3624TWBS	36	24.5	5	43	4.1	\$ 1,162	\$ 1,372	\$ 1,614	\$ 1,856	\$ 2,027	\$ 2,297	\$ 2,473
MM-3924TWBS	39	24.5	5	46	4.4	\$ 1,260	\$ 1,489	\$ 1,750	\$ 2,013	\$ 2,198	\$ 2,492	\$ 2,683
MM-4224TWBS	42	24.5	5	50	4.7	\$ 1,358	\$ 1,605	\$ 1,887	\$ 2,170	\$ 2,370	\$ 2,686	\$ 2,892
MM-4524TWBS	45	24.5	5	53	5.0	\$ 1,392	\$ 1,645	\$ 1,934	\$ 2,224	\$ 2,429	\$ 2,753	\$ 2,964
MM-4824TWBS	48	24.5	5	57	5.4	\$ 1,426	\$ 1,685	\$ 1,981	\$ 2,279	\$ 2,489	\$ 2,821	\$ 3,037
MM-5124TWBS	51	24.5	5	61	5.7	\$ 1,493	\$ 1,764	\$ 2,074	\$ 2,385	\$ 2,605	\$ 2,953	\$ 3,179
MM-5424TWBS	54	24.5	5	64	6.0	\$ 1,558	\$ 1,841	\$ 2,165	\$ 2,490	\$ 2,719	\$ 3,082	\$ 3,318
MM-5724TWBS	57	24.5	5	68	6.3	\$ 1,632	\$ 1,928	\$ 2,267	\$ 2,608	\$ 2,848	\$ 3,228	\$ 3,476
MM-6024TWBS	60	24.5	5	71	6.7	\$ 1,706	\$ 2,015	\$ 2,369	\$ 2,725	\$ 2,976	\$ 3,373	\$ 3,631
MM-6324TWBS	63	24.5	5	75	7.0	\$ 1,778	\$ 2,101	\$ 2,470	\$ 2,841	\$ 3,103	\$ 3,517	\$ 3,787
MM-6624TWBS	66	24.5	5	78	7.3	\$ 1,851	\$ 2,187	\$ 2,572	\$ 2,958	\$ 3,230	\$ 3,661	\$ 3,942
MM-6924TWBS	69	24.5	5	82	7.6	\$ 1,942	\$ 2,295	\$ 2,698	\$ 3,103	\$ 3,389	\$ 3,841	\$ 4,136
MM-7224TWBS	72	24.5	5	86	7.9	\$ 2,033	\$ 2,366	\$ 2,781	\$ 3,199	\$ 3,493	\$ 3,959	\$ 4,262
MM-7524TWBS	75	24.5	5	89	8.3	\$ 2,115	\$ 2,499	\$ 2,938	\$ 3,379	\$ 3,690	\$ 4,182	\$ 4,503
MM-7824TWBS	78	24.5	5	93	8.6	\$ 2,195	\$ 2,594	\$ 3,050	\$ 3,508	\$ 3,831	\$ 4,342	\$ 4,675
MM-8124TWBS	81	24.5	5	96	8.9	\$ 2,292	\$ 2,708	\$ 3,184	\$ 3,663	\$ 4,000	\$ 4,534	\$ 4,882
MM-8424TWBS	84	24.5	5	100	9.2	\$ 2,390	\$ 2,824	\$ 3,320	\$ 3,819	\$ 4,171	\$ 4,727	\$ 5,090
MM-8724TWBS	87	24.5	5	103	9.6	\$ 2,488	\$ 2,940	\$ 3,457	\$ 3,976	\$ 4,342	\$ 4,921	\$ 5,299

**OPTIONS**

Tier/Solid Surface	Finished Edge	Side Splash	Sink	Faucet	Waste Ring
Tier 1	X9 None	X9 None	X9 None	X9 None	X9 None
Tier 2	B5G Left \$83	B5G Left \$172	B5P Drop-in \$1626	B5R Paddle Handle 3.5" Gooseneck \$1131	B5T Integral \$69
Tier 3	B5H Right \$83	B5H Right \$172	DRS1 Drop-in 4.5" Deep with Overflow \$1905	B5S Sensor 5.25" Gooseneck \$1607	B5U Black \$98
Tier 4	B5J Both \$166	B5J Both \$344	DRS2 Drop-in 7.5" Deep with Overflow \$1842	HND1 Single Handle 5.75" Gooseneck \$1133	B5V Silver \$98
Tier 5			B5M Undermount \$1330	HND2 Sensor 4.875" Spout \$2116	
Tier 6			UMS1 Undermount 4.5" Deep with Overflow \$1707	HND3 Paddle Handle 8" Gooseneck \$1593	
Tier 7			UMS2 Undermount 7.5" Deep with Overflow \$1638	HND4 Single Handle 4.5" Spout \$1306	
See page 13 for options/tiers			B5K Integral \$1437	HND5 Sensor Edge 4.75" Spout \$4171	
			DRS3 Integral 4.5" Deep with Overflow \$1727		
			DRS4 Integral 7.5" Deep \$1900		

**HOW TO ORDER**

SPECIFY: Tier/solid surface | finished edge | side splash | sink | faucet | waste ring.

**MODEL NUMBER**

MM-1224TWBS

Tier/Solid Surface	Finished Edge	Side Splash	Sink	Faucet	Waste Ring
Cameo White 1	B5J	B5G	B5P	B5R	B5U

**WORK SURFACES SOLID SURFACE (CONT.)**

- 1" thick rectangular top
- 4" tall backsplash
- When finished edges are specified, the finished edge will match front edge
- When sink, faucet, and waste ring options are selected please specify location
- Lavatory drain not included with sinks, but required to complete installation
- Approximate size of sink is 16" x 11.5" x 4.5" with a standard lavatory drain hole (1 5/8" diameter)"
- Sink not available on 12", 15", 18", and 21" width work surfaces
- For in between sizes, order next larger size and cut to meet specification

**SOLID SURFACE WORK SURFACE WITH BACKSPLASH**



**24.5" DEEP MODELS**

model	w	d	h	wt	cu ft	Tier 1	Tier 2	Tier 3	Tier 4	Tier 5	Tier 6	Tier 7
MM-9024TWBS	90	24.5	5	107	9.9	\$ 2,585	\$ 3,054	\$ 3,591	\$ 4,130	\$ 4,511	\$ 5,113	\$ 5,505
MM-9324TWBS	93	24.5	5	110	10.2	\$ 2,682	\$ 3,169	\$ 3,726	\$ 4,286	\$ 4,680	\$ 5,305	\$ 5,712
MM-9624TWBS	96	24.5	5	114	10.5	\$ 2,777	\$ 3,282	\$ 3,859	\$ 4,438	\$ 4,847	\$ 5,494	\$ 5,915
MM-9924TWBS	99	24.5	5	118	10.8	\$ 2,877	\$ 3,399	\$ 3,997	\$ 4,597	\$ 5,020	\$ 5,690	\$ 6,127
MM-10224TWBS	102	24.5	5	121	11.2	\$ 2,976	\$ 3,516	\$ 4,134	\$ 4,755	\$ 5,193	\$ 5,885	\$ 6,337
MM-10524TWBS	105	24.5	5	125	11.5	\$ 3,071	\$ 3,629	\$ 4,266	\$ 4,907	\$ 5,359	\$ 6,074	\$ 6,540
MM-10824TWBS	108	24.5	5	128	11.8	\$ 3,167	\$ 3,743	\$ 4,400	\$ 5,061	\$ 5,527	\$ 6,264	\$ 6,745
MM-11124TWBS	111	24.5	5	132	12.1	\$ 3,246	\$ 3,835	\$ 4,510	\$ 5,187	\$ 5,664	\$ 6,420	\$ 6,913
MM-11424TWBS	114	24.5	5	135	12.5	\$ 3,325	\$ 3,929	\$ 4,620	\$ 5,313	\$ 5,803	\$ 6,577	\$ 7,081
MM-11724TWBS	117	24.5	5	139	12.8	\$ 3,403	\$ 4,021	\$ 4,728	\$ 5,437	\$ 5,938	\$ 6,730	\$ 7,247
MM-12024TWBS	120	24.5	5	143	13.1	\$ 3,481	\$ 4,113	\$ 4,836	\$ 5,562	\$ 6,074	\$ 6,885	\$ 7,413
MM-12324TWBS	123	24.5	5	146	13.4	\$ 3,559	\$ 4,205	\$ 4,944	\$ 5,687	\$ 6,210	\$ 7,039	\$ 7,579
MM-12624TWBS	126	24.5	5	150	13.7	\$ 3,635	\$ 4,296	\$ 5,051	\$ 5,809	\$ 6,344	\$ 7,191	\$ 7,743
MM-12924TWBS	129	24.5	5	153	14.1	\$ 3,714	\$ 4,389	\$ 5,160	\$ 5,935	\$ 6,481	\$ 7,346	\$ 7,910
MM-13224TWBS	132	24.5	5	157	14.4	\$ 3,791	\$ 4,480	\$ 5,267	\$ 6,058	\$ 6,616	\$ 7,499	\$ 8,074
MM-13524TWBS	135	24.5	5	160	14.7	\$ 3,870	\$ 4,573	\$ 5,376	\$ 6,184	\$ 6,753	\$ 7,654	\$ 8,242
MM-13824TWBS	138	24.5	5	164	15.0	\$ 3,948	\$ 4,665	\$ 5,485	\$ 6,309	\$ 6,890	\$ 7,809	\$ 8,408
MM-14124TWBS	141	24.5	5	167	15.4	\$ 4,026	\$ 4,757	\$ 5,593	\$ 6,433	\$ 7,025	\$ 7,962	\$ 8,574
MM-14424TWBS	144	24.5	5	171	15.7	\$ 4,103	\$ 4,848	\$ 5,700	\$ 6,556	\$ 7,160	\$ 8,115	\$ 8,738

**OPTIONS**

Tier/Solid Surface	Finished Edge	Side Splash	Sink	Faucet	Waste Ring
Tier 1	X9 None	X9 None	X9 None	X9 None	X9 None
Tier 2	B5G Left <b>\$83</b>	B5G Left <b>\$172</b>	B5P Drop-in <b>\$1626</b>	B5R Paddle Handle 3.5" Gooseneck <b>\$1131</b>	B5T Integral <b>\$69</b>
Tier 3	B5H Right <b>\$83</b>	B5H Right <b>\$172</b>	DRS1 Drop-in 4.5" Deep with Overflow <b>\$1905</b>	B5S Sensor 5.25" Gooseneck <b>\$1607</b>	B5U Black <b>\$98</b>
Tier 4	B5J Both <b>\$166</b>	B5J Both <b>\$344</b>	DRS2 Drop-in 7.5" Deep with Overflow <b>\$1842</b>	HND1 Single Handle 5.75" Gooseneck <b>\$1133</b>	B5V Silver <b>\$98</b>
Tier 5			B5M Undermount <b>\$1330</b>	HND2 Sensor 4.875" Spout <b>\$2116</b>	
Tier 6			UMS1 Undermount 4.5" Deep with Overflow <b>\$1707</b>	HND3 Paddle Handle 8" Gooseneck <b>\$1593</b>	
Tier 7			UMS2 Undermount 7.5" Deep with Overflow <b>\$1638</b>	HND4 Single Handle 4.5" Spout <b>\$1306</b>	
See page 13 for options/tiers			B5K Integral <b>\$1437</b>	HND5 Sensor Edge 4.75" Spout <b>\$4171</b>	
			DRS3 Integral 4.5" Deep with Overflow <b>\$1727</b>		
			DRS4 Integral 7.5" Deep <b>\$1900</b>		

**HOW TO ORDER**

SPECIFY: Tier/solid surface | finished edge | side splash | sink | faucet | waste ring.

**MODEL NUMBER**

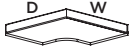
MM-9024TWBS

Tier/Solid Surface	Finished Edge	Side Splash	Sink	Faucet	Waste Ring
Cameo White 1	B5J	B5G	B5P	B5R	B5U

**WORK SURFACES SOLID SURFACE**

- 1" thick
- 4" tall backsplash
- A non-finished edge must be specified if tops are to be hard seamed in field
- Approximate size of sink is 16" x 11.5" x 4.5" with a standard lavatory drain hole (1 5/8" diameter)

**SOLID SURFACE CORNER WORK SURFACE WITH BACKSPLASH**



**29.75" DEEP MODELS**

model	w	d	h	wt	cu ft	Tier 1	Tier 2	Tier 3	Tier 4	Tier 5	Tier 6	Tier 7
MM-3030CTWBS	29.75	29.75	5	38	4.1	\$ 880	\$ 1,040	\$ 1,223	\$ 1,406	\$ 1,536	\$ 1,741	\$ 1,874
MM-3430CTWBS	34	29.75	5	43	4.6	\$ 1,020	\$ 1,205	\$ 1,417	\$ 1,630	\$ 1,780	\$ 2,017	\$ 2,172
MM-4030CTWBS	40	29.75	5	50	5.4	\$ 1,264	\$ 1,494	\$ 1,756	\$ 2,020	\$ 2,206	\$ 2,500	\$ 2,692

**34" DEEP MODELS**

model	w	d	h	wt	cu ft	Tier 1	Tier 2	Tier 3	Tier 4	Tier 5	Tier 6	Tier 7
MM-3034CTWBS	29.75	34	5	43	4.6	\$ 1,020	\$ 1,205	\$ 1,417	\$ 1,630	\$ 1,780	\$ 2,017	\$ 2,172
MM-3434CTWBS	34	34	5	48	5.3	\$ 1,174	\$ 1,388	\$ 1,632	\$ 1,877	\$ 2,049	\$ 2,323	\$ 2,501
MM-4034CTWBS	40	34	5	57	6.1	\$ 1,403	\$ 1,657	\$ 1,949	\$ 2,241	\$ 2,448	\$ 2,775	\$ 2,988

**40" DEEP MODELS**

model	w	d	h	wt	cu ft	Tier 1	Tier 2	Tier 3	Tier 4	Tier 5	Tier 6	Tier 7
MM-3040CTWBS	29.75	40	5	50	5.4	\$ 1,264	\$ 1,494	\$ 1,756	\$ 2,020	\$ 2,206	\$ 2,500	\$ 2,692
MM-3440CTWBS	34	40	5	57	6.1	\$ 1,403	\$ 1,657	\$ 1,949	\$ 2,241	\$ 2,448	\$ 2,775	\$ 2,988
MM-4040CTWBS	40	40	5	67	7.1	\$ 1,412	\$ 1,669	\$ 1,962	\$ 2,257	\$ 2,464	\$ 2,793	\$ 3,008

**OPTIONS**

Tier/Solid Surface	Finished Edge	Side Splash
Tier 1	X9 None	X9 None
Tier 2	B5G Left <b>\$83</b>	B5G Left <b>\$172</b>
Tier 3	B5H Right <b>\$83</b>	B5H Right <b>\$172</b>
Tier 4	B5J Both <b>\$166</b>	B5J Both <b>\$344</b>
Tier 5		
Tier 6		
Tier 7		
See page 13 for options/tiers		

**HOW TO ORDER**

SPECIFY: Tier/solid surface | finished edge | side splash.

**MODEL NUMBER**

MM-3030CTWBS

Tier/Solid Surface	Finished Edge	Side Splash
Cameo White 1	B5J	B5G

**WORK SURFACES BRACKETS**

- Set of 2 (1 right, 1 left)
- For use with the work surfaces

**SUPPORT BRACKETS**



model	w	d	h	wt	cu ft	List
MM-1218SB	12	18	2	4	0.6	\$ 166
MM-1521SB	15	21	2	6	0.9	\$ 182

**OPTIONS**

**Color**

- B5Z Almond
- B5W Black
- B5Y Gray
- B5X White

**HOW TO ORDER**

SPECIFY: Color.

**MODEL NUMBER**

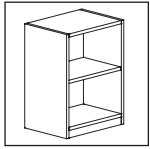
MM-1218SB

**Color**

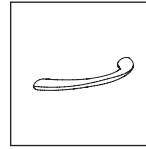
B5W

**UPPER CABINET DESIGN FEATURES**

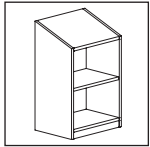
Carolina is committed to a better way to experience healthcare. Mile Marker™ offers many built-in standard features and multiple optional upgrades that enhance the beauty and performance of the facility. These extras offer a better experience for the patient and family, and contribute to less stress for staff.



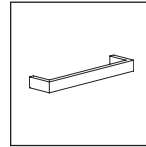
**CHASSIS**  
are TFL (Thermally Fused Laminate) with 1 MM edge banding.



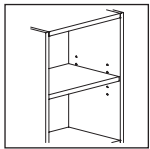
**CREST PULL**  
is available in Luster Grey, Bone White, Chalk, Onyx and Satin Nickel.



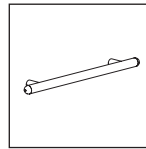
**FLAT TOPS OR SLOPED TOPS**  
available for local codes.



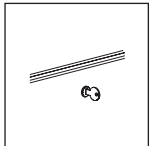
**ERA PULL**  
is available in Luster Grey, Bone White, Chalk, Onyx and Satin Nickel.



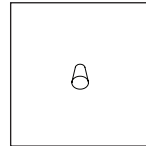
**ADJUSTABLE AND FIXED SHELVES**  
available for added flexibility.



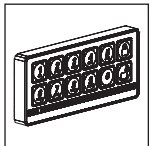
**FORTE PULL**  
is available in Luster Grey, Bone White, Chalk, Onyx and Satin Nickel.



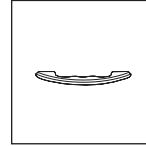
**STANDARD LOCK**



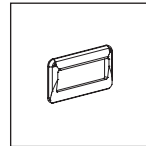
**PURE PULL**  
is available in Luster Grey, Bone White, Chalk, Onyx and Satin Nickel.



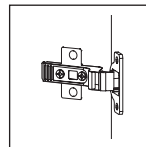
**OPTIONAL KEYLESS LOCK**  
with combination keypad.



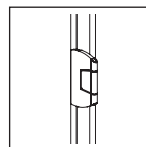
**GRIP PULL**  
is available in Luster Grey, Bone White, Chalk, Onyx and Satin Nickel.



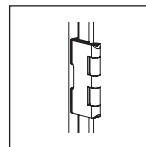
**RECESSED PULL**  
is available in Satin.



**EURO SOFT CLOSE HINGE**



**EURO KNUCKLE HINGE**



**5 KNUCKLE HINGE**



**CHASSIS FINISH**

**EXTERIOR/INTERIOR**

- |                        |                     |                           |
|------------------------|---------------------|---------------------------|
| <b>VM2</b> - Cognac    | <b>NW2</b> - Root   | <b>QR2</b> - Quarry       |
| <b>MC2</b> - Mocha     | <b>EN2</b> - Toffee | <b>ST2</b> - Steel        |
| <b>QE2</b> - Molasses  | <b>BE2</b> - Blonde | <b>BL2</b> - Black        |
| <b>LC2</b> - Sienna    | <b>MH2</b> - Honey  | <b>FW2</b> - Frosty White |
| <b>BU2</b> - Burnished | <b>LM2</b> - Ochre  | <b>GR2</b> - Grey         |
| <b>DS2</b> - Desert    | <b>CO2</b> - Linen  | <b>RW2</b> - Pure White   |
| <b>KD2</b> - Kodiak    | <b>PC2</b> - Pecan  | <b>SG2</b> - Slate Grey   |

**10% UPCHARGE**

- |                                 |                              |
|---------------------------------|------------------------------|
| <b>NH2</b><br>Natural Champagne | <b>NG2</b><br>Natural Walnut |
|---------------------------------|------------------------------|

**DOOR**

**FINISH/EDGE FINISH**

- |                        |                     |                           |
|------------------------|---------------------|---------------------------|
| <b>VM2</b> - Cognac    | <b>NW2</b> - Root   | <b>QR2</b> - Quarry       |
| <b>MC2</b> - Mocha     | <b>EN2</b> - Toffee | <b>ST2</b> - Steel        |
| <b>QE2</b> - Molasses  | <b>BE2</b> - Blonde | <b>BL2</b> - Black        |
| <b>LC2</b> - Sienna    | <b>MH2</b> - Honey  | <b>FW2</b> - Frosty White |
| <b>BU2</b> - Burnished | <b>LM2</b> - Ochre  | <b>GR2</b> - Grey         |
| <b>DS2</b> - Desert    | <b>CO2</b> - Linen  | <b>RW2</b> - Pure White   |
| <b>KD2</b> - Kodiak    | <b>PC2</b> - Pecan  | <b>SG2</b> - Slate Grey   |

**10% UPCHARGE**

- |                                 |                              |
|---------------------------------|------------------------------|
| <b>NH2</b><br>Natural Champagne | <b>NG2</b><br>Natural Walnut |
|---------------------------------|------------------------------|

**EXTERIOR/INTERIOR**

- |                        |                     |                           |
|------------------------|---------------------|---------------------------|
| <b>VM2</b> - Cognac    | <b>NW2</b> - Root   | <b>QR2</b> - Quarry       |
| <b>MC2</b> - Mocha     | <b>EN2</b> - Toffee | <b>ST2</b> - Steel        |
| <b>QE2</b> - Molasses  | <b>BE2</b> - Blonde | <b>BL2</b> - Black        |
| <b>LC2</b> - Sienna    | <b>MH2</b> - Honey  | <b>FW2</b> - Frosty White |
| <b>BU2</b> - Burnished | <b>LM2</b> - Ochre  | <b>GR2</b> - Grey         |
| <b>DS2</b> - Desert    | <b>CO2</b> - Linen  | <b>RW2</b> - Pure White   |
| <b>KD2</b> - Kodiak    | <b>PC2</b> - Pecan  | <b>SG2</b> - Slate Grey   |

**10% UPCHARGE**

- |                                 |                              |
|---------------------------------|------------------------------|
| <b>NH2</b><br>Natural Champagne | <b>NG2</b><br>Natural Walnut |
|---------------------------------|------------------------------|

**SHELF**

- X9** - None, standard
- B3N** - Fixed (upcharge varies by product)
- R8** - Adjustable (upcharge varies by product)

**APPLIANCE SHELF**

- X9** - None, standard
- B4Y** - Appliance Shelf (upcharge \$52)



B4Y

**HINGE**

**LOCATION**

- B3K** - Left
- B3L** - Right

**OPTIONS (see page 112 for details)**

- B3G** - Euro Soft Close Hinge, standard
- B3J** - 5 Knuckle Hinge
- B3H** - Euro Knuckle Hinge (upcharge varies by product)

**PULL (see page 112 for details)**

- AS** - No Pull
- B3D, SNCK** - Recessed - Satin Nickel only
- Crest** - Luster Grey, Bone White, Chalk, Onyx and Satin Nickel
- Era** - Luster Grey, Bone White, Chalk, Onyx and Satin Nickel
- Forte** - Luster Grey, Bone White, Chalk, Onyx and Satin Nickel
- Grip** - Luster Grey, Bone White, Chalk, Onyx and Satin Nickel
- Pure** - Luster Grey, Bone White, Chalk, Onyx and Satin Nickel

**LOCKS (see page 112 for details)**

- NL** - No Lock, standard
- LCK** - Key Specific (upcharge varies by product)
- B3E** - Keyless (upcharge varies by product)

**NOTE:** Lock finish will match the Pull Finish selection.

Luster Grey, Bone White, Chalk, and Satin Nickel

- LCK** - Silver
- H5S** - Silver
- H5T** - Silver
- KML1** - White
- KML2** - White
- PHL1** - Silver

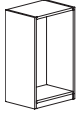
Onyx

- LCK** - Black
- H5S** - Black
- H5T** - Black
- KML1** - Black
- KML2** - Black
- PHL1** - Black

**UPPER CABINETS SINGLE**

- Flat top
- May be installed alone or with multiple cabinets
- All Mile Marker cabinetry is required to be anchored to a wall or floor. Installation hardware is not included with cabinets.

**UPPER CABINET OPEN**



**24" HIGH MODELS**

model	w	d	h	wt	cu ft	List
MM-121424UC	12	13.19	24	40	3.2	\$ 198
MM-151424UC	15	13.19	24	43	3.9	\$ 234
MM-181424UC	18	13.19	24	45	4.6	\$ 268
MM-211424UC	21	13.19	24	50	5.3	\$ 297
MM-241424UC	24	13.19	24	55	5.9	\$ 328
MM-271424UC	27	13.19	24	58	6.6	\$ 364
MM-301424UC	30	13.19	24	60	7.3	\$ 399
MM-331424UC	33	13.19	24	63	8.0	\$ 445
MM-361424UC	36	13.19	24	65	8.7	\$ 489

**30" HIGH MODELS**

model	w	d	h	wt	cu ft	List
MM-121430UC	12	13.19	30	45	3.9	\$ 229
MM-151430UC	15	13.19	30	48	4.8	\$ 264
MM-181430UC	18	13.19	30	50	5.6	\$ 298
MM-211430UC	21	13.19	30	55	6.5	\$ 332
MM-241430UC	24	13.19	30	60	7.3	\$ 369
MM-271430UC	27	13.19	30	63	8.2	\$ 407
MM-301430UC	30	13.19	30	65	9.0	\$ 446
MM-331430UC	33	13.19	30	68	9.8	\$ 493
MM-361430UC	36	13.19	30	70	10.7	\$ 540

**OPTIONS**

Exterior Chassis Finish	Shelf	Appliance Shelf
TFL Woodgrain Laminate <i>Quartered</i> GE2 DS2 PC2 NG2 NH2 EN2 CO2 ST2 NW2 <i>Flat Cut</i> LC2 KD2 MH2 MC2 VM2 LM2 BU2 BE2 QR2	X9 None <b>Standard</b> B3N One Fixed Shelf <b>\$86</b> R8 One Adjustable Shelf <b>\$86</b>	X9 None B4Y Shelf <b>\$52</b>
Textured Laminate (10% upcharge) TFL Solid Color Laminate BL2 GR2 SG2 FW2 RW2		

**HOW TO ORDER**

SPECIFY: Exterior chassis finish | shelf | appliance shelf. See page 11 for a complete offering of finishes.

**MODEL NUMBER**

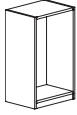
MM-121424UC

Exterior Chassis Finish	Shelf	Appliance Shelf
NW2	R8	B4Y

**UPPER CABINETS SINGLE**

- Flat top
- May be installed alone or with multiple cabinets
- All Mile Marker cabinetry is required to be anchored to a wall or floor. Installation hardware is not included with cabinets.

**UPPER CABINET OPEN**



**36" HIGH MODELS**

model	w	d	h	wt	cu ft	List
MM-121436UC	12	13.19	36	50	4.7	\$ 263
MM-151436UC	15	13.19	36	53	5.7	\$ 304
MM-181436UC	18	13.19	36	55	6.7	\$ 344
MM-211436UC	21	13.19	36	60	7.7	\$ 383
MM-241436UC	24	13.19	36	65	8.7	\$ 424
MM-271436UC	27	13.19	36	68	9.7	\$ 468
MM-301436UC	30	13.19	36	70	10.7	\$ 513
MM-331436UC	33	13.19	36	73	11.7	\$ 567
MM-361436UC	36	13.19	36	75	12.7	\$ 622

**OPTIONS**

Exterior Chassis Finish	Shelf	Appliance Shelf
TFL Woodgrain Laminate <i>Quartered</i> QE2 DS2 PC2 EN2 CO2 ST2 NW2 <i>Flat Cut</i> LC2 KD2 MH2 MC2 VM2 LM2 BU2 BE2 QR2	<i>Textured Laminate</i> <i>(10% upcharge)</i> NG2 NH2 TFL Solid Color Laminate BL2 GR2 SG2 FW2 RW2	X9 None <b>Standard</b> B3N Two Fixed Shelves <b>\$171</b> R8 Two Adjustable Shelves <b>\$171</b>  X9 None B4Y Shelf <b>\$52</b>

**HOW TO ORDER**

SPECIFY: Exterior chassis finish | shelf | appliance shelf. See page 11 for a complete offering of finishes.

**MODEL NUMBER**

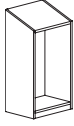
MM-121436UC

Exterior Chassis Finish	Shelf	Appliance Shelf
NW2	R8	B4Y

**UPPER CABINETS SINGLE**

- Sloped top
- May be installed alone or with multiple cabinets
- All Mile Marker cabinetry is required to be anchored to a wall or floor. Installation hardware is not included with cabinets.

**UPPER CABINET OPEN SLOPED**



**29" HIGH MODELS**

model	w	d	h	wt	cu ft	List
MM-121429UCS	12	13.19	29	40	3.8	\$ 226
MM-151429UCS	15	13.19	29	43	4.6	\$ 265
MM-181429UCS	18	13.19	29	45	5.5	\$ 303
MM-211429UCS	21	13.19	29	50	6.3	\$ 338
MM-241429UCS	24	13.19	29	55	7.1	\$ 369
MM-271429UCS	27	13.19	29	58	7.9	\$ 408
MM-301429UCS	30	13.19	29	60	8.7	\$ 447
MM-331429UCS	33	13.19	29	63	9.5	\$ 500
MM-361429UCS	36	13.19	29	65	10.4	\$ 551

**35" HIGH MODELS**

model	w	d	h	wt	cu ft	List
MM-121435UCS	12	13.19	35	45	4.6	\$ 260
MM-151435UCS	15	13.19	35	48	5.5	\$ 298
MM-181435UCS	18	13.19	35	50	6.5	\$ 339
MM-211435UCS	21	13.19	35	55	7.5	\$ 376
MM-241435UCS	24	13.19	35	60	8.5	\$ 414
MM-271435UCS	27	13.19	35	63	9.4	\$ 458
MM-301435UCS	30	13.19	35	65	10.4	\$ 502
MM-331435UCS	33	13.19	35	68	11.4	\$ 553
MM-361435UCS	36	13.19	35	70	12.4	\$ 603

**OPTIONS**

Exterior Chassis Finish	Shelf	Appliance Shelf
TFL Woodgrain Laminate <i>Quartered</i> GE2 DS2 PC2 NG2 NH2 EN2 CO2 ST2 NW2 <i>Flat Cut</i> LC2 KD2 MH2 MC2 VM2 LM2 BU2 BE2 QR2	X9 None <b>Standard</b> B3N One Fixed Shelf <b>\$86</b> R8 One Adjustable Shelf <b>\$86</b>	X9 None B4Y Shelf <b>\$52</b>
Textured Laminate (10% upcharge) TFL Solid Color Laminate BL2 GR2 SG2 FW2 RW2		

**HOW TO ORDER**

SPECIFY: Exterior chassis finish | shelf | appliance shelf. See page 11 for a complete offering of finishes.

**MODEL NUMBER**

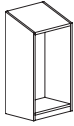
MM-121429UCS

Exterior Chassis Finish	Shelf	Appliance Shelf
NW2	R8	B4Y

**UPPER CABINETS SINGLE**

- Sloped top
- May be installed alone or with multiple cabinets
- All Mile Marker cabinetry is required to be anchored to a wall or floor. Installation hardware is not included with cabinets.

**UPPER CABINET OPEN SLOPED**



**41" HIGH MODELS**

model	w	d	h	wt	cu ft	List
MM-121441UCS	12	13.19	41	50	5.3	\$ 304
MM-151441UCS	15	13.19	41	53	6.4	\$ 349
MM-181441UCS	18	13.19	41	55	7.6	\$ 396
MM-211441UCS	21	13.19	41	60	8.7	\$ 440
MM-241441UCS	24	13.19	41	65	9.8	\$ 485
MM-271441UCS	27	13.19	41	68	11.0	\$ 537
MM-301441UCS	30	13.19	41	70	12.1	\$ 587
MM-331441UCS	33	13.19	41	73	13.2	\$ 647
MM-361441UCS	36	13.19	41	75	14.4	\$ 706

**OPTIONS**

Exterior Chassis Finish	Shelf	Appliance Shelf
TFL Woodgrain Laminate <i>Quartered</i> QE2 DS2 PC2 EN2 CO2 ST2 NW2 <i>Flat Cut</i> LC2 KD2 MH2 MC2 VM2 LM2 BU2 BE2 QR2	<i>Textured Laminate</i> <i>(10% upcharge)</i> NG2 NH2 TFL Solid Color Laminate BL2 GR2 SG2 FW2 RW2	X9 None B3N Two Fixed Shelves \$171 R8 Two Adjustable Shelves \$171 X9 None B4Y Shelf \$52

**HOW TO ORDER**

SPECIFY: Exterior chassis finish | shelf | appliance shelf. See page 11 for a complete offering of finishes.

**MODEL NUMBER**

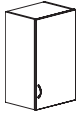
MM-121441UCS

Exterior Chassis Finish	Shelf	Appliance Shelf
NW2	R8	B4Y

**UPPER CABINETS SINGLE**

- Flat top
- 1 full hinged door
- May be installed alone or with multiple cabinets
- All Mile Marker cabinetry is required to be anchored to a wall or floor. Installation hardware is not included with cabinets.

**UPPER CABINET WITH DOOR**



**24" HIGH MODELS**

model	w	d	h	wt	cu ft	List
MM-121424UCD	12	14	24	45	3.4	\$ 446
MM-151424UCD	15	14	24	48	4.1	\$ 499
MM-181424UCD	18	14	24	50	4.8	\$ 549
MM-211424UCD	21	14	24	55	5.5	\$ 597
MM-241424UCD	24	14	24	60	6.3	\$ 639

**30" HIGH MODELS**

model	w	d	h	wt	cu ft	List
MM-121430UCD	12	14	30	50	4.1	\$ 490
MM-151430UCD	15	14	30	53	5.0	\$ 549
MM-181430UCD	18	14	30	55	5.9	\$ 606
MM-211430UCD	21	14	30	60	6.8	\$ 655
MM-241430UCD	24	14	30	65	7.7	\$ 702

**OPTIONS**

Exterior Chassis Finish	Door Finish	Door Edge Finish	Hinge Location	Hinge	Shelf	Lock	Pull	Pull Finish
TFL Woodgrain Laminate <i>Quartered</i> QE2 DS2 PC2 EN2 CO2 ST2 NW2 <i>Flat Cut</i> LC2 KD2 MH2 MC2 VM2 LM2 BU2 BE2 QR2 <i>Textured Laminate</i> (10% upcharge) NG2 NH2  TFL Solid Color Laminate BL2 GR2 SG2 FW2 RW2	TFL Woodgrain Laminate <i>Quartered</i> QE2 DS2 PC2 EN2 CO2 ST2 NW2 <i>Flat Cut</i> LC2 KD2 MH2 MC2 VM2 LM2 BU2 BE2 QR2 <i>Textured Laminate</i> (10% upcharge) NG2 NH2  TFL Solid Color Laminate BL2 GR2 SG2 FW2 RW2	TFL Woodgrain Laminate <i>Quartered</i> QE2 DS2 PC2 EN2 CO2 ST2 NW2 <i>Flat Cut</i> LC2 KD2 MH2 MC2 VM2 LM2 BU2 BE2 QR2 <i>Textured Laminate</i> (10% upcharge) NG2 NH2  TFL Solid Color Laminate BL2 GR2 SG2 FW2 RW2	B3K Left B3L Right	B3G Euro Soft Close Standard  B3J 5 Knuckle  B3H Euro Knuckle  \$44	X9 None Standard B3N One Fixed Shelf \$86 R8 One Adjustable Shelf \$86	NL No Lock - Standard LCK1 Requires 1 Lock Core \$77  B3E Keyless \$338   NOTE: LCK Locks ordered separately on page 5.	AS No Pull Crest  Era  Forte  Pure  Grip  B3D, SNCK Recessed (Satin Nickel Only) 	BWT Bone White CHLK Chalk MSL Luster Grey BKO Onyx SNCK Satin Nickel

**HOW TO ORDER**

SPECIFY: Exterior chassis finish | door finish | door edge finish | hinge location | hinge | shelf | lock | pull | pull finish. See page 11 for a complete offering of finishes.

**MODEL NUMBER**

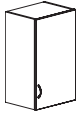
MM-121424UCD

Exterior Chassis Finish	Door Finish	Door Edge Finish	Hinge Location	Hinge	Shelf	Lock	Pull	Pull Finish
NW2	NW2	NW2	B3K	B3G	R8	LCK1	Crest	MSL

**UPPER CABINETS SINGLE**

- Flat top
- 1 full hinged door
- May be installed alone or with multiple cabinets
- All Mile Marker cabinetry is required to be anchored to a wall or floor. Installation hardware is not included with cabinets.

**UPPER CABINET WITH DOOR**



**36" HIGH MODELS**

model	w	d	h	wt	cu ft	List
MM-121436UCD	12	14	36	55	4.9	\$ 549
MM-151436UCD	15	14	36	58	6.0	\$ 617
MM-181436UCD	18	14	36	60	7.0	\$ 681
MM-211436UCD	21	14	36	65	8.1	\$ 739
MM-241436UCD	24	14	36	70	9.1	\$ 794

**OPTIONS**

Exterior Chassis Finish	Door Finish	Door Edge Finish	Hinge Location	Hinge	Shelf	Lock	Pull	Pull Finish
TFL Woodgrain Laminate <i>Quartered</i> QE2 DS2 PC2 EN2 CO2 ST2 NW2 <i>Flat Cut</i> LC2 KD2 MH2 MC2 VM2 LM2 BU2 BE2 QR2 <i>Textured Laminate</i> (10% upcharge) NG2 NH2  TFL Solid Color Laminate BL2 GR2 SG2 FW2 RW2	TFL Woodgrain Laminate <i>Quartered</i> QE2 DS2 PC2 EN2 CO2 ST2 NW2 <i>Flat Cut</i> LC2 KD2 MH2 MC2 VM2 LM2 BU2 BE2 QR2 <i>Textured Laminate</i> (10% upcharge) NG2 NH2  TFL Solid Color Laminate BL2 GR2 SG2 FW2 RW2	TFL Woodgrain Laminate <i>Quartered</i> QE2 DS2 PC2 EN2 CO2 ST2 NW2 <i>Flat Cut</i> LC2 KD2 MH2 MC2 VM2 LM2 BU2 BE2 QR2 <i>Textured Laminate</i> (10% upcharge) NG2 NH2  TFL Solid Color Laminate BL2 GR2 SG2 FW2 RW2	B3K Left B3L Right	B3G Euro Soft Close Standard   B3J 5 Knuckle  B3H Euro Knuckle \$44	X9 None Standard B3N Two Fixed Shelves \$171 R8 Two Adjustable Shelves \$171	NL No Lock - Standard LCK1 Requires 1 Lock Core \$77  B3E Keyless \$338  NOTE: LCK Locks ordered separately on page 5.	AS No Pull Crest Era Forte Pure Grip B3D, SNCK Recessed (Satin Nickel Only)	BWT Bone White CHLK Chalk MSL Luster Grey BKO Onyx SNCK Satin Nickel

**HOW TO ORDER**

SPECIFY: Exterior chassis finish | door finish | door edge finish | hinge location | hinge | shelf | lock | pull | pull finish. See page 11 for a complete offering of finishes.

**MODEL NUMBER**

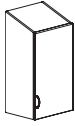
MM-121436UCD

Exterior Chassis Finish	Door Finish	Door Edge Finish	Hinge Location	Hinge	Shelf	Lock	Pull	Pull Finish
NW2	NW2	NW2	B3K	B3G	R8	LCK1	Crest	MSL

**UPPER CABINETS SINGLE**

- Sloped top
- 1 full hinged door
- May be installed alone or with multiple cabinets
- All Mile Marker cabinetry is required to be anchored to a wall or floor. Installation hardware is not included with cabinets.

**UPPER CABINET WITH DOOR SLOPED**



**29" HIGH MODELS**

model	w	d	h	wt	cu ft	List
MM-121429UCDS	12	14	29	45	4.0	\$ 490
MM-151429UCDS	15	14	29	48	4.9	\$ 549
MM-181429UCDS	18	14	29	50	5.7	\$ 606
MM-211429UCDS	21	14	29	55	6.6	\$ 655
MM-241429UCDS	24	14	29	60	7.5	\$ 702

**35" HIGH MODELS**

model	w	d	h	wt	cu ft	List
MM-121435UCDS	12	14	35	50	4.8	\$ 538
MM-151435UCDS	15	14	35	53	5.8	\$ 601
MM-181435UCDS	18	14	35	55	6.9	\$ 665
MM-211435UCDS	21	14	35	60	7.9	\$ 720
MM-241435UCDS	24	14	35	65	8.9	\$ 772

**OPTIONS**

Exterior Chassis Finish	Door Finish	Door Edge Finish	Hinge Location	Hinge	Shelf	Lock	Pull	Pull Finish
TFL Woodgrain Laminate <i>Quartered</i> QE2 DS2 PC2 EN2 CO2 ST2 NW2 <i>Flat Cut</i> LC2 KD2 MH2 MC2 VM2 LM2 BU2 BE2 QR2 <i>Textured Laminate</i> (10% upcharge) NG2 NH2  TFL Solid Color Laminate BL2 GR2 SG2 FW2 RW2	TFL Woodgrain Laminate <i>Quartered</i> QE2 DS2 PC2 EN2 CO2 ST2 NW2 <i>Flat Cut</i> LC2 KD2 MH2 MC2 VM2 LM2 BU2 BE2 QR2 <i>Textured Laminate</i> (10% upcharge) NG2 NH2  TFL Solid Color Laminate BL2 GR2 SG2 FW2 RW2	TFL Woodgrain Laminate <i>Quartered</i> QE2 DS2 PC2 EN2 CO2 ST2 NW2 <i>Flat Cut</i> LC2 KD2 MH2 MC2 VM2 LM2 BU2 BE2 QR2 <i>Textured Laminate</i> (10% upcharge) NG2 NH2  TFL Solid Color Laminate BL2 GR2 SG2 FW2 RW2	B3K Left B3L Right	B3G Euro Soft Close Standard  B3J 5 Knuckle  B3H Euro Knuckle \$44 	X9 None Standard B3N One Fixed Shelf \$86 R8 One Adjustable Shelf \$86	NL No Lock - Standard LCK1 Requires 1 Lock Core \$77  B3E Keyless \$338   NOTE: LCK Locks ordered separately on page 5.	AS No Pull Crest  Era  Forte  Pure  Grip  B3D, SNCK Recessed (Satin Nickel Only) 	BWT Bone White CHLK Chalk MSL Luster Grey BKO Onyx SNCK Satin Nickel

**HOW TO ORDER**

SPECIFY: Exterior chassis finish | door finish | door edge finish | hinge location | hinge | shelf | lock | pull | pull finish. See page 11 for a complete offering of finishes.

**MODEL NUMBER**

MM-121429UCDS

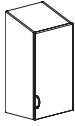
Exterior Chassis Finish	Door Finish	Door Edge Finish	Hinge Location	Hinge	Shelf	Lock	Pull	Pull Finish
NW2	NW2	NW2	B3K	B3G	R8	LCK1	Crest	MSL



**UPPER CABINETS SINGLE**

- Sloped top
- 1 full hinged door
- May be installed alone or with multiple cabinets
- All Mile Marker cabinetry is required to be anchored to a wall or floor. Installation hardware is not included with cabinets.

**UPPER CABINET WITH DOOR SLOPED**



**41" HIGH MODELS**

model	w	d	h	wt	cu ft	List
MM-121441UCDS	12	14	41	55	5.6	\$ 614
MM-151441UCDS	15	14	41	58	6.8	\$ 689
MM-181441UCDS	18	14	41	60	8.0	\$ 762
MM-211441UCDS	21	14	41	65	9.2	\$ 827
MM-241441UCDS	24	14	41	70	10.4	\$ 888

**OPTIONS**

Exterior Chassis Finish	Door Finish	Door Edge Finish	Hinge Location	Hinge	Shelf	Lock	Pull	Pull Finish
TFL Woodgrain Laminate <i>Quartered</i> QE2 DS2 PC2 EN2 CO2 ST2 NW2 <i>Flat Cut</i> LC2 KD2 MH2 MC2 VM2 LM2 BU2 BE2 QR2 <i>Textured Laminate</i> (10% upcharge) NG2 NH2  TFL Solid Color Laminate BL2 GR2 SG2 FW2 RW2	TFL Woodgrain Laminate <i>Quartered</i> QE2 DS2 PC2 EN2 CO2 ST2 NW2 <i>Flat Cut</i> LC2 KD2 MH2 MC2 VM2 LM2 BU2 BE2 QR2 <i>Textured Laminate</i> (10% upcharge) NG2 NH2  TFL Solid Color Laminate BL2 GR2 SG2 FW2 RW2	TFL Woodgrain Laminate <i>Quartered</i> QE2 DS2 PC2 EN2 CO2 ST2 NW2 <i>Flat Cut</i> LC2 KD2 MH2 MC2 VM2 LM2 BU2 BE2 QR2 <i>Textured Laminate</i> (10% upcharge) NG2 NH2  TFL Solid Color Laminate BL2 GR2 SG2 FW2 RW2	B3K Left B3L Right	B3G Euro Soft Close Standard   B3J 5 Knuckle  B3H Euro Knuckle \$44	X9 None Standard B3N Two Fixed Shelves \$171 R8 Two Adjustable Shelves \$171	NL No Lock - Standard LCK1 Requires 1 Lock Core \$77  B3E Keyless \$338  NOTE: LCK Locks ordered separately on page 5.	AS No Pull Crest Era Forte Pure Grip B3D, SNCK Recessed (Satin Nickel Only)	BWT Bone White CHLK Chalk MSL Luster Grey BKO Onyx SNCK Satin Nickel

**HOW TO ORDER**

SPECIFY: Exterior chassis finish | door finish | door edge finish | hinge location | hinge | shelf | lock | pull | pull finish. See page 11 for a complete offering of finishes.

**MODEL NUMBER**

MM-121441UCDS

Exterior Chassis Finish	Door Finish	Door Edge Finish	Hinge Location	Hinge	Shelf	Lock	Pull	Pull Finish
NW2	NW2	NW2	B3K	B3G	R8	LCK1	Crest	MSL

**UPPER CABINETS SINGLE**

- Flat top
- 1 full hinged door with glove box openings
- 1 stationary shelf

**UPPER CABINET WITH DOOR GLOVE BOX**



**24" HIGH MODELS**

model	w	d	h	wt	cu ft	List
MM-211424UCDGB	21	14	24	55	5.5	\$ 643
MM-241424UCDGB	24	14	24	60	6.3	\$ 690

**30" HIGH MODELS**

model	w	d	h	wt	cu ft	List
MM-211430UCDGB	21	14	30	60	6.8	\$ 706
MM-241430UCDGB	24	14	30	65	7.7	\$ 759

**OPTIONS**

Exterior Chassis Finish	Door Finish	Hinge Location	Hinge	Shelf	Lock	Pull	Pull Finish
TFL Woodgrain Laminate <i>Quartered</i> QE2 DS2 PC2 EN2 CO2 ST2 NW2 <i>Flat Cut</i> LC2 KD2 MH2 MC2 VM2 LM2 BU2 BE2 QR2 <i>Textured Laminate (10% upcharge)</i> NG2 NH2 TFL Solid Color Laminate BL2 GR2 SG2 FW2 RW2	3DL Woodgrain Laminate <i>Quartered</i> QE3 DS3 ST3 EN3 CO3 NW3 PC3 <i>Flat Cut</i> LC3 KD3 MH3 MC3 VM3 LM3 BU3 BE3 <i>Textured Laminate (10% upcharge)</i> NG3 NH3 3DL Solid Color Laminate BL3 GR3 FW3 RW3	B3K Left B3L Right	B3G Euro Soft Close Standard  B3J 5 Knuckle  B3H Euro Knuckle \$44 	X9 None Standard B3N One Fixed Shelf \$86 R8 One Adjustable Shelf \$86	NL No Lock - Standard LCK1 Requires 1 Lock Core \$77  B3E Keyless \$338  NOTE: LCK Locks ordered separately on page 5.	AS No Pull Crest  Era  Forte  Pure  Grip  B3D, SNCK Recessed (Satin Nickel Only) 	BWT Bone White CHLK Chalk MSL Luster Grey BKO Onyx SNCK Satin Nickel

**HOW TO ORDER**

SPECIFY: Exterior chassis finish | door finish | hinge location | hinge | shelf | lock | pull | pull finish. See page 11 for a complete offering of finishes.

**MODEL NUMBER**

MM-211424UCDGB

Exterior Chassis Finish	Door Finish	Hinge Location	Hinge	Shelf	Lock	Pull	Pull Finish
NW2	NW2	B3K	B3G	R8	LCK1	Crest	MSL

**UPPER CABINETS SINGLE**

- Flat top
- 1 full hinged door with glove box openings
- 1 stationary shelf

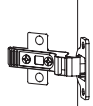

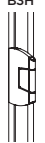
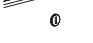







**UPPER CABINET WITH DOOR GLOVE BOX**



**36" HIGH MODELS**

model	w	d	h	wt	cu ft	List
MM-211436UCDGB	21	14	36	65	8.1	\$ 813
MM-241436UCDGB	24	14	36	70	9.1	\$ 873

**OPTIONS**

Exterior Chassis Finish	Door Finish	Hinge Location	Hinge	Shelf	Lock	Pull	Pull Finish
TFL Woodgrain Laminate <i>Quartered</i> QE2 DS2 PC2 EN2 CO2 ST2 NW2 <i>Flat Cut</i> LC2 KD2 MH2 MC2 VM2 LM2 BU2 BE2 QR2 <i>Textured Laminate (10% upcharge)</i> NG2 NH2 TFL Solid Color Laminate BL2 GR2 SG2 FW2 RW2	3DL Woodgrain Laminate <i>Quartered</i> QE3 DS3 ST3 EN3 CO3 NW3 PC3 <i>Flat Cut</i> LC3 KD3 MH3 MC3 VM3 LM3 BU3 BE3 <i>Textured Laminate (10% upcharge)</i> NG3 NH3 3DL Solid Color Laminate BL3 GR3 FW3 RW3	B3K Left B3L Right	B3G Euro Soft Close Standard  B3J 5 Knuckle  B3H Euro Knuckle \$44 	X9 None Standard B3N Two Fixed Shelves \$171 R8 Two Adjustable Shelves \$171	NL No Lock - Standard LCK1 Requires 1 Lock Core \$77  B3E Keyless \$338  NOTE: LCK Locks ordered separately on page 5.	AS No Pull Crest  Era  Forte  Pure  Grip  B3D, SNCK Recessed (Satin Nickel Only) 	BWT Bone White CHLK Chalk MSL Luster Grey BKO Onyx SNCK Satin Nickel

**HOW TO ORDER**

SPECIFY: Exterior chassis finish | door finish | hinge location | hinge | shelf | lock | pull | pull finish. See page 11 for a complete offering of finishes.

**MODEL NUMBER**

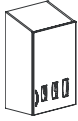
MM-211436UCDGB

Exterior Chassis Finish	Door Finish	Hinge Location	Hinge	Shelf	Lock	Pull	Pull Finish
NW2	NW2	B3K	B3G	R8	LCK1	Crest	MSL

**UPPER CABINETS SINGLE**

- Sloped top
- 1 full hinged door with glove box openings
- 1 stationary shelf

**UPPER CABINET WITH DOOR GLOVE BOX SLOPED TOP**



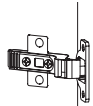

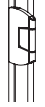
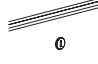
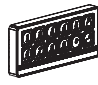


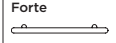


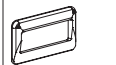
**29" HIGH MODELS**

model	w	d	h	wt	cu ft	List
MM-211429UCDGBS	21	14	29	55	6.6	\$ 706
MM-241429UCDGBS	24	14	29	60	7.5	\$ 759

**35" HIGH MODELS**

model	w	d	h	wt	cu ft	List
MM-211435UCDGBS	21	14	35	60	7.9	\$ 777
MM-241435UCDGBS	24	14	35	65	8.9	\$ 835

**OPTIONS**

Exterior Chassis Finish	Door Finish	Hinge Location	Hinge	Shelf	Lock	Pull	Pull Finish
TFL Woodgrain Laminate <i>Quartered</i> QE2 DS2 PC2 EN2 CO2 ST2 NW2 <i>Flat Cut</i> LC2 KD2 MH2 MC2 VM2 LM2 BU2 BE2 QR2 <i>Textured Laminate (10% upcharge)</i> NG2 NH2 TFL Solid Color Laminate BL2 GR2 SG2 FW2 RW2	3DL Woodgrain Laminate <i>Quartered</i> QE3 DS3 ST3 EN3 CO3 NW3 PC3 <i>Flat Cut</i> LC3 KD3 MH3 MC3 VM3 LM3 BU3 BE3 <i>Textured Laminate (10% upcharge)</i> NG3 NH3 3DL Solid Color Laminate BL3 GR3 FW3 RW3  Solid Surface Upcharge <b>\$234 +</b> Tier 1 <b>Standard</b> Tier 2 <b>\$359</b> Tier 3 <b>\$720</b> Tier 4 <b>\$1,079</b> Tier 5 <b>\$1,439</b> Tier 6 <b>\$1,800</b> Tier 7 <b>\$2,159</b>  See page 13 for options/tiers	B3K Left B3L Right	B3G Euro Soft Close Standard  B3J 5 Knuckle  B3H Euro Knuckle \$44 	X9 None Standard B3N One Fixed Shelf \$86 R8 One Adjustable Shelf \$86	NL No Lock - Standard LCK1 Requires 1 Lock Core \$77  B3E Keyless \$338   NOTE: LCK Locks ordered separately on page 5.	AS No Pull Crest  Era  Forte  Pure  Grip   B3D, SNCK Recessed (Satin Nickel Only) 	BWT Bone White CHLK Chalk MSL Luster Grey BKO Onyx SNCK Satin Nickel

**HOW TO ORDER**

SPECIFY: Exterior chassis finish | door finish | hinge location | hinge | shelf | lock | pull | pull finish. See page 11 for a complete offering of finishes.

**MODEL NUMBER**

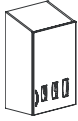
MM-211429UCDGBS

Exterior Chassis Finish	Door Finish	Hinge Location	Hinge	Shelf	Lock	Pull	Pull Finish
NW2	NW2	B3K	B3G	R8	LCK1	Crest	MSL

**UPPER CABINETS SINGLE**

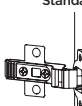


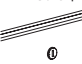



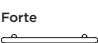



- Sloped top
- 1 full hinged door with glove box openings
- 1 stationary shelf

**UPPER CABINET WITH DOOR GLOVE BOX SLOPED TOP  
41" HIGH MODELS**



model	w	d	h	wt	cu ft	List
MM-211441UCDGBS	21	14	41	65	9.2	\$ 910
MM-241441UCDGBS	24	14	41	70	10.4	\$ 977

**OPTIONS**

Exterior Chassis Finish	Door Finish	Hinge Location	Hinge	Shelf	Lock	Pull	Pull Finish
TFL Woodgrain Laminate <i>Quartered</i> <b>QE2 DS2 PC2</b> <b>EN2 CO2 ST2</b> <b>NW2</b> <i>Flat Cut</i> <b>LC2 KD2 MH2</b> <b>MC2 VM2 LM2</b> <b>BU2 BE2 QR2</b> <i>Textured Laminate (10% upcharge)</i> <b>NG2 NH2</b> TFL Solid Color Laminate <b>BL2 GR2 SG2</b> <b>FW2 RW2</b>	3DL Woodgrain Laminate <i>Quartered</i> <b>QE3 DS3 ST3</b> <b>EN3 CO3</b> <b>NW3 PC3</b> <i>Flat Cut</i> <b>LC3 KD3 MH3</b> <b>MC3 VM3 LM3</b> <b>BU3 BE3</b> <i>Textured Laminate (10% upcharge)</i> <b>NG3 NH3</b> 3DL Solid Color Laminate <b>BL3 GR3</b> <b>FW3 RW3</b> Solid Surface Upcharge <b>\$234 +</b> Tier 1 <b>Standard</b> Tier 2 <b>\$359</b> Tier 3 <b>\$720</b> Tier 4 <b>\$1,079</b> Tier 5 <b>\$1,439</b> Tier 6 <b>\$1,800</b> Tier 7 <b>\$2,159</b> See page 13 for options/tiers	<b>B3K</b> Left <b>B3L</b> Right	<b>B3G</b> Euro Soft Close Standard  <b>B3J</b> 5 Knuckle  <b>B3H</b> Euro Knuckle \$44 	<b>X9</b> None <b>Standard</b> <b>B3N</b> Two Fixed Shelves <b>\$171</b> <b>R8</b> Two Adjustable Shelves <b>\$171</b>	<b>NL</b> No Lock - <b>Standard</b> <b>LCK1</b> Requires 1 Lock Core <b>\$77</b>  <b>B3E</b> Keyless <b>\$338</b>  NOTE: LCK Locks ordered separately on page 5.	<b>AS</b> No Pull <b>Crest</b>  <b>Era</b>  <b>Forte</b>  <b>Pure</b>  <b>Grip</b>  <b>B3D, SNCK</b> Recessed (Satin Nickel Only) 	<b>BWT</b> Bone White <b>CHLK</b> Chalk <b>MSL</b> Luster Grey <b>BKO</b> Onyx <b>SNCK</b> Satin Nickel

**HOW TO ORDER**

SPECIFY: Exterior chassis finish | door finish | hinge location | hinge | shelf | lock | pull | pull finish. See page 11 for a complete offering of finishes.

**MODEL NUMBER**

MM-211441UCDGBS

Exterior Chassis Finish	Door Finish	Hinge Location	Hinge	Shelf	Lock	Pull	Pull Finish
NW2	NW2	B3K	B3G	R8	LCK1	Crest	MSL

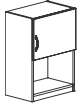
**UPPER CABINETS SINGLE**

• Flat top

• 1 half hinged door

• 1 stationary shelf

**UPPER CABINET WITH HALF DOOR**



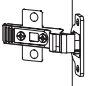
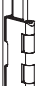





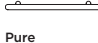

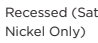

**30" HIGH MODELS**

model	w	d	h	wt	cu ft	List
MM-121430UCHD	12	14	30	50	4.1	\$ 474
MM-151430UCHD	15	14	30	53	5.0	\$ 532
MM-181430UCHD	18	14	30	55	5.9	\$ 587
MM-211430UCHD	21	14	30	60	6.8	\$ 636
MM-241430UCHD	24	14	30	65	7.7	\$ 682

**36" HIGH MODELS**

model	w	d	h	wt	cu ft	List
MM-121436UCHD	12	14	36	55	4.9	\$ 544
MM-151436UCHD	15	14	36	58	6.0	\$ 612
MM-181436UCHD	18	14	36	60	7.0	\$ 675
MM-211436UCHD	21	14	36	65	8.1	\$ 731
MM-241436UCHD	24	14	36	70	9.1	\$ 786

**OPTIONS**

Exterior Chassis Finish	Door Finish	Door Edge Finish	Hinge Location	Hinge	Appliance Shelf	Lock	Pull	Pull Finish
TFL Woodgrain Laminate <i>Quartered</i> QE2 DS2 PC2 EN2 CO2 ST2 NW2 <i>Flat Cut</i> LC2 KD2 MH2 MC2 VM2 LM2 BU2 BE2 QR2 <i>Textured Laminate</i> (10% upcharge) NG2 NH2  TFL Solid Color Laminate BL2 GR2 SG2 FW2 RW2	TFL Woodgrain Laminate <i>Quartered</i> QE2 DS2 PC2 EN2 CO2 ST2 NW2 <i>Flat Cut</i> LC2 KD2 MH2 MC2 VM2 LM2 BU2 BE2 QR2 <i>Textured Laminate</i> (10% upcharge) NG2 NH2  TFL Solid Color Laminate BL2 GR2 SG2 FW2 RW2	TFL Woodgrain Laminate <i>Quartered</i> QE2 DS2 PC2 EN2 CO2 ST2 NW2 <i>Flat Cut</i> LC2 KD2 MH2 MC2 VM2 LM2 BU2 BE2 QR2 <i>Textured Laminate</i> (10% upcharge) NG2 NH2  TFL Solid Color Laminate BL2 GR2 SG2 FW2 RW2	B3K Left B3L Right	B3G Euro Soft Close Standard   B3J 5 Knuckle   B3H Euro Knuckle  \$87	X9 None B4Y Shelf \$52	NL No Lock - Standard LCK1 Requires 1 Lock Core \$77   B3E Keyless \$338   NOTE: LCK Locks ordered separately on page 5.	AS No Pull Crest  Era  Forte  Pure  Grip  B3D, SNCK Recessed (Satin Nickel Only) 	BWT Bone White CHLK Chalk MSL Luster Grey BKO Onyx SNCK Satin Nickel

**HOW TO ORDER**

SPECIFY: Exterior chassis finish | door finish | door edge finish | hinge location | hinge | appliance shelf | lock | pull | pull finish. See page 11 for a complete offering of finishes.

**MODEL NUMBER**

MM-121430UCHD

Exterior Chassis Finish	Door Finish	Door Edge Finish	Hinge Location	Hinge	Appliance Shelf	Lock	Pull	Pull Finish
NW2	NW2	NW2	B3K	B3G	B4Y	LCK1	Crest	MSL

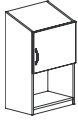
**UPPER CABINETS SINGLE**

• Sloped top

• 1 half hinged door

• 1 stationary shelf

**UPPER CABINET WITH HALF DOOR SLOPED TOP**



**35" HIGH MODELS**

model	w	d	h	wt	cu ft	List
MM-121435UCHDS	12	14	35	50	4.8	\$ 519
MM-151435UCHDS	15	14	35	53	5.8	\$ 583
MM-181435UCHDS	18	14	35	55	6.9	\$ 645
MM-211435UCHDS	21	14	35	60	7.9	\$ 700
MM-241435UCHDS	24	14	35	65	8.9	\$ 752

**41" HIGH MODELS**

model	w	d	h	wt	cu ft	List
MM-121441UCHDS	12	14	41	55	5.6	\$ 609
MM-151441UCHDS	15	14	41	58	6.8	\$ 681
MM-181441UCHDS	18	14	41	60	8.0	\$ 755
MM-211441UCHDS	21	14	41	65	9.2	\$ 820
MM-241441UCHDS	24	14	41	70	10.4	\$ 880

**OPTIONS**

Exterior Chassis Finish	Door Finish	Door Edge Finish	Hinge Location	Hinge	Appliance Shelf	Lock	Pull	Pull Finish
TFL Woodgrain Laminate <i>Quartered</i> QE2 DS2 PC2 EN2 CO2 ST2 NW2 <i>Flat Cut</i> LC2 KD2 MH2 MC2 VM2 LM2 BU2 BE2 QR2 <i>Textured Laminate</i> (10% upcharge) NG2 NH2  TFL Solid Color Laminate BL2 GR2 SG2 FW2 RW2	TFL Woodgrain Laminate <i>Quartered</i> QE2 DS2 PC2 EN2 CO2 ST2 NW2 <i>Flat Cut</i> LC2 KD2 MH2 MC2 VM2 LM2 BU2 BE2 QR2 <i>Textured Laminate</i> (10% upcharge) NG2 NH2  TFL Solid Color Laminate BL2 GR2 SG2 FW2 RW2	TFL Woodgrain Laminate <i>Quartered</i> QE2 DS2 PC2 EN2 CO2 ST2 NW2 <i>Flat Cut</i> LC2 KD2 MH2 MC2 VM2 LM2 BU2 BE2 QR2 <i>Textured Laminate</i> (10% upcharge) NG2 NH2  TFL Solid Color Laminate BL2 GR2 SG2 FW2 RW2	B3K Left B3L Right	B3G Euro Soft Close Standard   B3J 5 Knuckle   B3H Euro Knuckle \$87 	X9 None B4Y Shelf \$52	NL No Lock - Standard LCK1 Requires 1 Lock Core \$77   B3E Keyless \$338   NOTE: LCK Locks ordered separately on page 5.	AS No Pull Crest  Era  Forte  Pure  Grip  B3D, SNCK Recessed (Satin Nickel Only) 	BWT Bone White CHLK Chalk MSL Luster Grey BKO Onyx SNCK Satin Nickel

**HOW TO ORDER**

SPECIFY: Exterior chassis finish | door finish | door edge finish | hinge location | hinge | appliance shelf | lock | pull | pull finish. See page 11 for a complete offering of finishes.

**MODEL NUMBER**

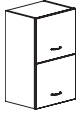
MM-121435UCHDS

Exterior Chassis Finish	Door Finish	Door Edge Finish	Hinge Location	Hinge	Appliance Shelf	Lock	Pull	Pull Finish
NW2	NW2	NW2	B3K	B3G	B4Y	LCK1	Crest	MSL

**UPPER CABINETS SINGLE**

- Flat top
- 2 lift doors
- 1 stationary shelf
- May be installed alone or with multiple cabinets
- All Mile Marker cabinetry is required to be anchored to a wall or floor. Installation hardware is not included with cabinets.

**UPPER CABINET WITH LIFT DOORS**



**24" HIGH MODELS**

model	w	d	h	wt	cu ft	List
MM-121424UCL	12	14	24	45	3.4	\$ 783
MM-151424UCL	15	14	24	48	4.1	\$ 835
MM-181424UCL	18	14	24	50	4.8	\$ 888
MM-211424UCL	21	14	24	55	5.5	\$ 935
MM-241424UCL	24	14	24	60	6.3	\$ 977
MM-271424UCL	27	14	24	63	7.0	\$ 985
MM-301424UCL	30	14	24	65	7.7	\$ 1,069
MM-331424UCL	33	14	24	68	8.4	\$ 1,088
MM-361424UCL	36	14	24	70	9.1	\$ 1,184

**30" HIGH MODELS**

model	w	d	h	wt	cu ft	List
MM-121430UCL	12	14	30	50	4.1	\$ 828
MM-151430UCL	15	14	30	53	5.0	\$ 886
MM-181430UCL	18	14	30	55	5.9	\$ 943
MM-211430UCL	21	14	30	60	6.8	\$ 992
MM-241430UCL	24	14	30	65	7.7	\$ 1,041
MM-271430UCL	27	14	30	68	8.6	\$ 1,051
MM-301430UCL	30	14	30	70	9.5	\$ 1,139
MM-331430UCL	33	14	30	73	10.4	\$ 1,164
MM-361430UCL	36	14	30	75	11.3	\$ 1,266

**36" HIGH MODELS**

model	w	d	h	wt	cu ft	List
MM-121436UCL	12	14	36	55	4.9	\$ 908
MM-151436UCL	15	14	36	58	6.0	\$ 975
MM-181436UCL	18	14	36	60	7.0	\$ 1,041
MM-211436UCL	21	14	36	65	8.1	\$ 1,097
MM-241436UCL	24	14	36	70	9.1	\$ 1,152
MM-271436UCL	27	14	36	73	10.2	\$ 1,209
MM-301436UCL	30	14	36	75	11.3	\$ 1,266
MM-331436UCL	33	14	36	78	12.3	\$ 1,339
MM-361436UCL	36	14	36	80	13.4	\$ 1,412

**OPTIONS**

Exterior Chassis Finish	Door Finish	Door Edge Finish	Lock	Pull	Pull Finish
TFL Woodgrain Laminate <i>Quartered</i> QE2 DS2 PC2 EN2 CO2 ST2 NW2 <i>Flat Cut</i> LC2 KD2 MH2 MC2 VM2 LM2 BU2 BE2 QR2 <i>Textured Laminate</i> (10% upcharge) NG2 NH2  TFL Solid Color Laminate BL2 GR2 SG2 FW2 RW2	TFL Woodgrain Laminate <i>Quartered</i> QE2 DS2 PC2 EN2 CO2 ST2 NW2 <i>Flat Cut</i> LC2 KD2 MH2 MC2 VM2 LM2 BU2 BE2 QR2 <i>Textured Laminate</i> (10% upcharge) NG2 NH2  TFL Solid Color Laminate BL2 GR2 SG2 FW2 RW2	TFL Woodgrain Laminate <i>Quartered</i> QE2 DS2 PC2 EN2 CO2 ST2 NW2 <i>Flat Cut</i> LC2 KD2 MH2 MC2 VM2 LM2 BU2 BE2 QR2 <i>Textured Laminate</i> (10% upcharge) NG2 NH2  TFL Solid Color Laminate BL2 GR2 SG2 FW2 RW2	NL No Lock - <b>Standard</b> LCK2 Requires 2 Lock Core \$154   B3E Keyless \$568   <b>NOTE:</b> LCK Locks ordered separately on page 5.	AS No Pull  Crest   Era   Forte   Pure   Grip   B3D, SNCK Recessed (Satin Nickel Only) 	BWT Bone White CHLK Chalk MSL Luster Grey BKO Onyx SNCK Satin Nickel

**HOW TO ORDER**

SPECIFY: Exterior chassis finish | door finish | door edge finish | lock | pull | pull finish. See page 11 for a complete offering of finishes.

**MODEL NUMBER**

MM-121424UCL

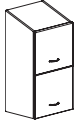
Exterior Chassis Finish	Door Finish	Door Edge Finish	Lock	Pull	Pull Finish
NW2	NW2	NW2	LCK2	Crest	MSL



**UPPER CABINETS SINGLE**

- Sloped top
- 2 lift doors
- 1 stationary shelf
- May be installed alone or with multiple cabinets
- All Mile Marker cabinetry is required to be anchored to a wall or floor. Installation hardware is not included with cabinets.

**UPPER CABINET WITH LIFT DOORS SLOPED TOP**



**29" HIGH MODELS**

model	w	d	h	wt	cu ft	List
MM-121429UCLS	12	14	29	45	4.0	\$ 828
MM-151429UCLS	15	14	29	48	4.9	\$ 886
MM-181429UCLS	18	14	29	50	5.7	\$ 943
MM-211429UCLS	21	14	29	55	6.6	\$ 992
MM-241429UCLS	24	14	29	60	7.5	\$ 1,041
MM-271429UCLS	27	14	29	63	8.3	\$ 1,051
MM-301429UCLS	30	14	29	65	9.2	\$ 1,139
MM-331429UCLS	33	14	29	68	10.0	\$ 1,164
MM-361429UCLS	36	14	29	70	10.9	\$ 1,266


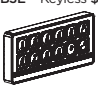



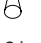

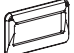
**35" HIGH MODELS**

model	w	d	h	wt	cu ft	List
MM-121435UCLS	12	14	35	50	4.8	\$ 877
MM-151435UCLS	15	14	35	53	5.8	\$ 940
MM-181435UCLS	18	14	35	55	6.9	\$ 1,002
MM-211435UCLS	21	14	35	60	7.9	\$ 1,057
MM-241435UCLS	24	14	35	65	8.9	\$ 1,109
MM-271435UCLS	27	14	35	68	9.9	\$ 1,125
MM-301435UCLS	30	14	35	70	11.0	\$ 1,218
MM-331435UCLS	33	14	35	73	12.0	\$ 1,249
MM-361435UCLS	36	14	35	75	13.0	\$ 1,357

**41" HIGH MODELS**

model	w	d	h	wt	cu ft	List
MM-121441UCLS	12	14	41	55	5.6	\$ 981
MM-151441UCLS	15	14	41	58	6.8	\$ 1,054
MM-181441UCLS	18	14	41	60	8.0	\$ 1,127
MM-211441UCLS	21	14	41	65	9.2	\$ 1,193
MM-241441UCLS	24	14	41	70	10.4	\$ 1,253
MM-271441UCLS	27	14	41	73	11.5	\$ 1,316
MM-301441UCLS	30	14	41	75	12.7	\$ 1,380
MM-331441UCLS	33	14	41	78	13.9	\$ 1,461
MM-361441UCLS	36	14	41	80	15.1	\$ 1,542

**OPTIONS**

Exterior Chassis Finish	Door Finish	Door Edge Finish	Lock	Pull	Pull Finish
TFL Woodgrain Laminate <i>Quartered</i> QE2 DS2 PC2 EN2 CO2 ST2 NW2 <i>Flat Cut</i> LC2 KD2 MH2 MC2 VM2 LM2 BU2 BE2 QR2 <i>Textured Laminate</i> (10% upcharge) NG2 NH2  TFL Solid Color Laminate BL2 GR2 SG2 FW2 RW2	TFL Woodgrain Laminate <i>Quartered</i> QE2 DS2 PC2 EN2 CO2 ST2 NW2 <i>Flat Cut</i> LC2 KD2 MH2 MC2 VM2 LM2 BU2 BE2 QR2 <i>Textured Laminate</i> (10% upcharge) NG2 NH2  TFL Solid Color Laminate BL2 GR2 SG2 FW2 RW2	TFL Woodgrain Laminate <i>Quartered</i> QE2 DS2 PC2 EN2 CO2 ST2 NW2 <i>Flat Cut</i> LC2 KD2 MH2 MC2 VM2 LM2 BU2 BE2 QR2 <i>Textured Laminate</i> (10% upcharge) NG2 NH2  TFL Solid Color Laminate BL2 GR2 SG2 FW2 RW2	NL No Lock - <b>Standard</b> LCK2 Requires 2 Lock Core \$154    B3E Keyless \$568   <b>NOTE:</b> LCK Locks ordered separately on page 5.	AS No Pull  Crest   Era   Forte   Pure   Grip   B3D, SNCK Recessed (Satin Nickel Only) 	BWT Bone White CHLK Chalk MSL Luster Grey BKO Onyx SNCK Satin Nickel

**HOW TO ORDER**

SPECIFY: Exterior chassis finish | door finish | door edge finish | lock | pull | pull finish. See page 11 for a complete offering of finishes.

**MODEL NUMBER**

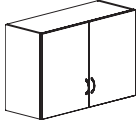
MM-121429UCLS

Exterior Chassis Finish	Door Finish	Door Edge Finish	Lock	Pull	Pull Finish
NW2	NW2	NW2	LCK2	Crest	MSL

**UPPER CABINETS DOUBLE**

- Flat top
- 2 hinged doors (24" high model exempt)
- 1 stationary shelf
- May be installed alone or with multiple cabinets
- All Mile Marker cabinetry is required to be anchored to a wall or floor. Installation hardware is not included with cabinets.

**UPPER CABINET WITH DOORS**



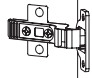

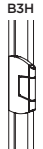
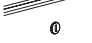



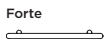



**24" HIGH MODELS**

model	w	d	h	wt	cu ft	List
MM-271424UCD	27	14	24	63	7.0	\$ 661
MM-301424UCD	30	14	24	65	7.7	\$ 757
MM-331424UCD	33	14	24	68	8.4	\$ 776
MM-361424UCD	36	14	24	70	9.1	\$ 873

**30" HIGH MODELS**

model	w	d	h	wt	cu ft	List
MM-271430UCD	27	14	30	68	8.6	\$ 725
MM-301430UCD	30	14	30	70	9.5	\$ 827
MM-331430UCD	33	14	30	73	10.4	\$ 853
MM-361430UCD	36	14	30	75	11.3	\$ 955

**OPTIONS**

Exterior Chassis Finish	Door Finish	Door Edge Finish	Hinge	Shelf	Lock	Pull	Pull Finish
TFL Woodgrain Laminate <i>Quartered</i> QE2 DS2 PC2 EN2 CO2 ST2 NW2 <i>Flat Cut</i> LC2 KD2 MH2 MC2 VM2 LM2 BU2 BE2 QR2 <i>Textured Laminate (10% upcharge)</i> NG2 NH2 TFL Solid Color Laminate BL2 GR2 SG2 FW2 RW2	TFL Woodgrain Laminate <i>Quartered</i> QE2 DS2 PC2 EN2 CO2 ST2 NW2 <i>Flat Cut</i> LC2 KD2 MH2 MC2 VM2 LM2 BU2 BE2 QR2 <i>Textured Laminate (10% upcharge)</i> NG2 NH2 TFL Solid Color Laminate BL2 GR2 SG2 FW2 RW2	TFL Woodgrain Laminate <i>Quartered</i> QE2 DS2 PC2 EN2 CO2 ST2 NW2 <i>Flat Cut</i> LC2 KD2 MH2 MC2 VM2 LM2 BU2 BE2 QR2 <i>Textured Laminate (10% upcharge)</i> NG2 NH2 TFL Solid Color Laminate BL2 GR2 SG2 FW2 RW2	<b>B3G</b> Euro Soft Close Standard  <b>B3J</b> 5 Knuckle  <b>B3H</b> Euro Knuckle \$97 	<b>X9</b> None Standard <b>B3N</b> One Fixed \$86 <b>R8</b> One Adjustable \$86	<b>NL</b> No Lock - Standard <b>LCK1</b> Requires 1 Lock Core \$77  <b>B3E</b> Keyless \$338  <b>NOTE:</b> LCK Locks ordered separately on page 5.	<b>AS</b> No Pull <b>Crest</b>  <b>Era</b>  <b>Forte</b>  <b>Pure</b>  <b>Grip</b>  <b>B3D, SNCK</b> Recessed (Satin Nickel Only) 	<b>BWT</b> Bone White <b>CHLK</b> Chalk <b>MSL</b> Luster Grey <b>BKO</b> Onyx <b>SNCK</b> Satin Nickel

**HOW TO ORDER**

SPECIFY: Exterior chassis finish | door finish | door edge finish | hinge | shelf | lock | pull | pull finish. See page 11 for a complete offering of finishes.

**MODEL NUMBER**

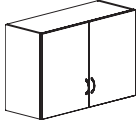
MM-271424UCD

Exterior Chassis Finish	Door Finish	Door Edge Finish	Hinge	Shelf	Lock	Pull	Pull Finish
NW2	NW2	NW2	B3G	R8	LCK1	Crest	MSL

**UPPER CABINETS DOUBLE**

- Flat top
- 2 hinged doors (24" high model exempt)
- 1 stationary shelf
- May be installed alone or with multiple cabinets
- All Mile Marker cabinetry is required to be anchored to a wall or floor. Installation hardware is not included with cabinets.

**UPPER CABINET WITH DOORS**



**36" HIGH MODELS**

model	w	d	h	wt	cu ft	List
MM-271436UCD	27	14	36	73	10.2	\$ 833
MM-301436UCD	30	14	36	75	11.3	\$ 907
MM-331436UCD	33	14	36	78	12.3	\$ 981
MM-361436UCD	36	14	36	80	13.4	\$ 1,053

**OPTIONS**

Exterior Chassis Finish	Door Finish	Door Edge Finish	Hinge	Shelf	Lock	Pull	Pull Finish
TFL Woodgrain Laminate <i>Quartered</i> QE2 DS2 PC2 EN2 CO2 ST2 NW2 <i>Flat Cut</i> LC2 KD2 MH2 MC2 VM2 LM2 BU2 BE2 QR2 <i>Textured Laminate (10% upcharge)</i> NG2 NH2  TFL Solid Color Laminate BL2 GR2 SG2 FW2 RW2	TFL Woodgrain Laminate <i>Quartered</i> QE2 DS2 PC2 EN2 CO2 ST2 NW2 <i>Flat Cut</i> LC2 KD2 MH2 MC2 VM2 LM2 BU2 BE2 QR2 <i>Textured Laminate (10% upcharge)</i> NG2 NH2  TFL Solid Color Laminate BL2 GR2 SG2 FW2 RW2	TFL Woodgrain Laminate <i>Quartered</i> QE2 DS2 PC2 EN2 CO2 ST2 NW2 <i>Flat Cut</i> LC2 KD2 MH2 MC2 VM2 LM2 BU2 BE2 QR2 <i>Textured Laminate (10% upcharge)</i> NG2 NH2  TFL Solid Color Laminate BL2 GR2 SG2 FW2 RW2	<b>B3G</b> Euro Soft Close Standard   <b>B3J</b> 5 Knuckle   <b>B3H</b> Euro Knuckle \$97 	<b>X9</b> None Standard <b>B3N</b> Two Fixed \$171 <b>R8</b> Two Adjustable \$171	<b>NL</b> No Lock - Standard <b>LCK1</b> Requires 1 Lock Core \$77   <b>B3E</b> Keyless \$338   <b>NOTE:</b> LCK Locks ordered separately on page 5.	<b>AS</b> No Pull  <b>Crest</b>  <b>Era</b>  <b>Forte</b>  <b>Pure</b>  <b>Grip</b>  <b>B3D, SNCK</b> Recessed (Satin Nickel Only) 	<b>BWT</b> Bone White <b>CHLK</b> Chalk <b>MSL</b> Luster Grey <b>BKO</b> Onyx <b>SNCK</b> Satin Nickel

**HOW TO ORDER**

SPECIFY: Exterior chassis finish | door finish | door edge finish | hinge | shelf | lock | pull | pull finish. See page 11 for a complete offering of finishes.

**MODEL NUMBER**

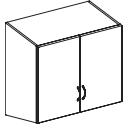
MM-271436UCD

Exterior Chassis Finish	Door Finish	Door Edge Finish	Hinge	Shelf	Lock	Pull	Pull Finish
NW2	NW2	NW2	B3G	R8	LCK1	Crest	MSL

**UPPER CABINETS DOUBLE**

- Sloped top
- 2 hinged doors (24" high model exempt)
- 1 stationary shelf
- May be installed alone or with multiple cabinets
- All Mile Marker cabinetry is required to be anchored to a wall or floor. Installation hardware is not included with cabinets.

**UPPER CABINET WITH DOORS SLOPED TOP**



**29" HIGH MODELS**

model	w	d	h	wt	cu ft	List
MM-271429UCDS	27	14	29	63	8.3	\$ 725
MM-301429UCDS	30	14	29	65	9.2	\$ 827
MM-331429UCDS	33	14	29	68	10.0	\$ 853
MM-361429UCDS	36	14	29	70	10.9	\$ 955

**35" HIGH MODELS**

model	w	d	h	wt	cu ft	List
MM-271435UCDS	27	14	35	68	9.9	\$ 798
MM-301435UCDS	30	14	35	70	11.0	\$ 907
MM-331435UCDS	33	14	35	73	12.0	\$ 938
MM-361435UCDS	36	14	35	75	13.0	\$ 1,046

**OPTIONS**

Exterior Chassis Finish	Door Finish	Door Edge Finish	Hinge	Shelf	Lock	Pull	Pull Finish
TFL Woodgrain Laminate <i>Quartered</i> QE2 DS2 PC2 EN2 CO2 ST2 NW2 <i>Flat Cut</i> LC2 KD2 MH2 MC2 VM2 LM2 BU2 BE2 QR2 <i>Textured Laminate (10% upcharge)</i> NG2 NH2  TFL Solid Color Laminate BL2 GR2 SG2 FW2 RW2	TFL Woodgrain Laminate <i>Quartered</i> QE2 DS2 PC2 EN2 CO2 ST2 NW2 <i>Flat Cut</i> LC2 KD2 MH2 MC2 VM2 LM2 BU2 BE2 QR2 <i>Textured Laminate (10% upcharge)</i> NG2 NH2  TFL Solid Color Laminate BL2 GR2 SG2 FW2 RW2	TFL Woodgrain Laminate <i>Quartered</i> QE2 DS2 PC2 EN2 CO2 ST2 NW2 <i>Flat Cut</i> LC2 KD2 MH2 MC2 VM2 LM2 BU2 BE2 QR2 <i>Textured Laminate (10% upcharge)</i> NG2 NH2  TFL Solid Color Laminate BL2 GR2 SG2 FW2 RW2	<b>B3G</b> Euro Soft Close Standard  <b>B3J</b> 5 Knuckle  <b>B3H</b> Euro Knuckle \$97 	<b>X9</b> None Standard <b>B3N</b> One Fixed \$86 <b>R8</b> One Adjustable \$86	<b>NL</b> No Lock - Standard <b>LCK1</b> Requires 1 Lock Core \$77  <b>B3E</b> Keyless \$338   <b>NOTE:</b> LCK Locks ordered separately on page 5.	<b>AS</b> No Pull <b>Crest</b>  <b>Era</b>  <b>Forté</b>  <b>Pure</b>  <b>Grip</b>  <b>B3D, SNCK</b> Recessed (Satin Nickel Only) 	<b>BWT</b> Bone White <b>CHLK</b> Chalk <b>MSL</b> Luster Grey <b>BKO</b> Onyx <b>SNCK</b> Satin Nickel

**HOW TO ORDER**

SPECIFY: Exterior chassis finish | door finish | door edge finish | hinge | shelf | lock | pull | pull finish. See page 11 for a complete offering of finishes.

**MODEL NUMBER**

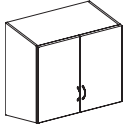
MM-271429UCDS

Exterior Chassis Finish	Door Finish	Door Edge Finish	Hinge	Shelf	Lock	Pull	Pull Finish
NW2	NW2	NW2	B3G	R8	LCK1	Crest	MSL

**UPPER CABINETS DOUBLE**

- Sloped top
- 2 hinged doors (24" high model exempt)
- 1 stationary shelf
- May be installed alone or with multiple cabinets
- All Mile Marker cabinetry is required to be anchored to a wall or floor. Installation hardware is not included with cabinets.

**UPPER CABINET WITH DOORS SLOPED TOP**



**41" HIGH MODELS**

model	w	d	h	wt	cu ft	List
MM-271441UCDS	27	14	41	73	11.5	\$ 934
MM-301441UCDS	30	14	41	75	12.7	\$ 1,016
MM-331441UCDS	33	14	41	78	13.9	\$ 1,098
MM-361441UCDS	36	14	41	80	15.1	\$ 1,179

**OPTIONS**

Exterior Chassis Finish	Door Finish	Door Edge Finish	Hinge	Shelf	Lock	Pull	Pull Finish
TFL Woodgrain Laminate <i>Quartered</i> QE2 DS2 PC2 EN2 CO2 ST2 NW2 <i>Flat Cut</i> LC2 KD2 MH2 MC2 VM2 LM2 BU2 BE2 QR2 <i>Textured Laminate (10% upcharge)</i> NG2 NH2	TFL Woodgrain Laminate <i>Quartered</i> QE2 DS2 PC2 EN2 CO2 ST2 NW2 <i>Flat Cut</i> LC2 KD2 MH2 MC2 VM2 LM2 BU2 BE2 QR2 <i>Textured Laminate (10% upcharge)</i> NG2 NH2	TFL Woodgrain Laminate <i>Quartered</i> QE2 DS2 PC2 EN2 CO2 ST2 NW2 <i>Flat Cut</i> LC2 KD2 MH2 MC2 VM2 LM2 BU2 BE2 QR2 <i>Textured Laminate (10% upcharge)</i> NG2 NH2	<b>B3G</b> Euro Soft Close Standard  <b>B3J</b> 5 Knuckle  <b>B3H</b> Euro Knuckle \$44 	<b>X9</b> None Standard <b>B3N</b> Two Fixed \$171 <b>R8</b> Two Adjustable \$171	<b>NL</b> No Lock - Standard <b>LCK1</b> Requires 1 Lock Core \$77  <b>B3E</b> Keyless \$338  <b>NOTE:</b> LCK Locks ordered separately on page 5.	<b>AS</b> No Pull <b>Crest</b>  <b>Era</b>  <b>Forte</b>  <b>Pure</b>  <b>Grip</b>  <b>B3D, SNCK</b> Recessed (Satin Nickel Only) 	<b>BWT</b> Bone White <b>CHLK</b> Chalk <b>MSL</b> Luster Grey <b>BKO</b> Onyx <b>SNCK</b> Satin Nickel

**HOW TO ORDER**

SPECIFY: Exterior chassis finish | door finish | door edge finish | hinge | shelf | lock | pull | pull finish. See page 11 for a complete offering of finishes.

**MODEL NUMBER**

MM-271441UCDS

Exterior Chassis Finish	Door Finish	Door Edge Finish	Hinge	Shelf	Lock	Pull	Pull Finish
NW2	NW2	NW2	B3G	R8	LCK1	Crest	MSL

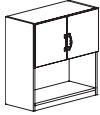
**UPPER CABINETS DOUBLE**

• Flat top

• 2 hinged half doors

• 1 stationary shelf

**UPPER CABINET WITH HALF DOORS**



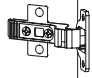

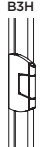
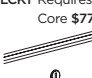
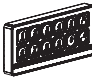

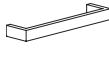
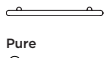



**30" HIGH MODELS**

model	w	d	h	wt	cu ft	List
MM-271430UCHD	27	14	30	68	8.6	\$ 719
MM-301430UCHD	30	14	30	70	9.5	\$ 781
MM-331430UCHD	33	14	30	73	10.4	\$ 844
MM-361430UCHD	36	14	30	75	11.3	\$ 908

**36" HIGH MODELS**

model	w	d	h	wt	cu ft	List
MM-271436UCHD	27	14	36	73	10.2	\$ 826
MM-301436UCHD	30	14	36	75	11.3	\$ 897
MM-331436UCHD	33	14	36	78	12.3	\$ 971
MM-361436UCHD	36	14	36	80	13.4	\$ 1,043

**OPTIONS**

Exterior Chassis Finish	Door Finish	Door Edge Finish	Hinge	Appliance Shelf	Lock	Pull	Pull Finish
TFL Woodgrain Laminate <i>Quartered</i> QE2 DS2 PC2 EN2 CO2 ST2 NW2 <i>Flat Cut</i> LC2 KD2 MH2 MC2 VM2 LM2 BU2 BE2 QR2 <i>Textured Laminate (10% upcharge)</i> NG2 NH2	TFL Woodgrain Laminate <i>Quartered</i> QE2 DS2 PC2 EN2 CO2 ST2 NW2 <i>Flat Cut</i> LC2 KD2 MH2 MC2 VM2 LM2 BU2 BE2 QR2 <i>Textured Laminate (10% upcharge)</i> NG2 NH2	TFL Woodgrain Laminate <i>Quartered</i> QE2 DS2 PC2 EN2 CO2 ST2 NW2 <i>Flat Cut</i> LC2 KD2 MH2 MC2 VM2 LM2 BU2 BE2 QR2 <i>Textured Laminate (10% upcharge)</i> NG2 NH2	<b>B3G</b> Euro Soft Close Standard  <b>B3J</b> 5 Knuckle  <b>B3H</b> Euro Knuckle \$44 	<b>X9</b> None <b>B4Y</b> Shelf \$52	<b>NL</b> No Lock - Standard <b>LCK1</b> Requires 1 Lock Core \$77  <b>B3E</b> Keyless \$338  <b>NOTE:</b> LCK Locks ordered separately on page 5.	<b>AS</b> No Pull <b>Crest</b>  <b>Era</b>  <b>Forte</b>  <b>Pure</b>  <b>Grip</b>  <b>B3D, SNCK</b> Recessed (Satin Nickel Only) 	<b>BWT</b> Bone White <b>CHLK</b> Chalk <b>MSL</b> Luster Grey <b>BKO</b> Onyx <b>SNCK</b> Satin Nickel

**HOW TO ORDER**

SPECIFY: Exterior chassis finish | door finish | door edge finish | hinge | appliance shelf | lock | pull | pull finish. See page 11 for a complete offering of finishes.

**MODEL NUMBER**

MM-271430UCHD

Exterior Chassis Finish	Door Finish	Door Edge Finish	Hinge	Appliance Shelf	Lock	Pull	Pull Finish
NW2	NW2	NW2	B3G	B4Y	LCK1	Crest	MSL

**UPPER CABINETS DOUBLE**

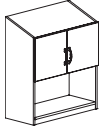
• Sloped top

• 2 hinged half doors

• 1 stationary shelf

**UPPER CABINET WITH HALF DOORS SLOPED TOP**

**35" HIGH MODELS**

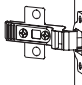


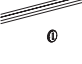



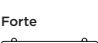
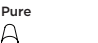

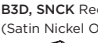


model	w	d	h	wt	cu ft	List
MM-271435UCHDS	27	14	35	68	9.9	\$ 790
MM-301435UCHDS	30	14	35	70	11.0	\$ 859
MM-331435UCHDS	33	14	35	73	12.0	\$ 929
MM-361435UCHDS	36	14	35	75	13.0	\$ 997

**41" HIGH MODELS**

model	w	d	h	wt	cu ft	List
MM-271441UCHDS	27	14	41	73	11.5	\$ 925
MM-301441UCHDS	30	14	41	75	12.7	\$ 1,006
MM-331441UCHDS	33	14	41	78	13.9	\$ 1,086
MM-361441UCHDS	36	14	41	80	15.1	\$ 1,167

**OPTIONS**

Exterior Chassis Finish	Door Finish	Door Edge Finish	Hinge	Appliance Shelf	Lock	Pull	Pull Finish
TFL Woodgrain Laminate <i>Quartered</i> QE2 DS2 PC2 EN2 CO2 ST2 NW2 <i>Flat Cut</i> LC2 KD2 MH2 MC2 VM2 LM2 BU2 BE2 QR2 <i>Textured Laminate (10% upcharge)</i> NG2 NH2	TFL Woodgrain Laminate <i>Quartered</i> QE2 DS2 PC2 EN2 CO2 ST2 NW2 <i>Flat Cut</i> LC2 KD2 MH2 MC2 VM2 LM2 BU2 BE2 QR2 <i>Textured Laminate (10% upcharge)</i> NG2 NH2	TFL Woodgrain Laminate <i>Quartered</i> QE2 DS2 PC2 EN2 CO2 ST2 NW2 <i>Flat Cut</i> LC2 KD2 MH2 MC2 VM2 LM2 BU2 BE2 QR2 <i>Textured Laminate (10% upcharge)</i> NG2 NH2	<b>B3G</b> Euro Soft Close Standard  <b>B3J</b> 5 Knuckle  <b>B3H</b> Euro Knuckle \$87 	<b>X9</b> None <b>B4Y</b> Shelf \$52	<b>NL</b> No Lock - Standard <b>LCK1</b> Requires 1 Lock Core \$77  <b>B3E</b> Keyless \$338  <b>NOTE:</b> LCK Locks ordered separately on page 5.	<b>AS</b> No Pull <b>Crest</b>  <b>Era</b>  <b>Forte</b>  <b>Pure</b>  <b>Grip</b>  <b>B3D, SNCK</b> Recessed (Satin Nickel Only) 	<b>BWT</b> Bone White <b>CHLK</b> Chalk <b>MSL</b> Luster Grey <b>BKO</b> Onyx <b>SNCK</b> Satin Nickel

**HOW TO ORDER**

SPECIFY: Exterior chassis finish | door finish | door edge finish | hinge | appliance shelf | lock | pull | pull finish. See page 11 for a complete offering of finishes.

**MODEL NUMBER**

MM-271435UCHDS

Exterior Chassis Finish	Door Finish	Door Edge Finish	Hinge	Appliance Shelf	Lock	Pull	Pull Finish
NW2	NW2	NW2	B3G	B4Y	LCK1	Crest	MSL

**UPPER CABINETS FILLER**

- All Mile Marker cabinetry is required to be anchored to a wall or floor. Installation hardware is not included with cabinets.

**UPPER FILLER**



model	w	d	h	wt	cu ft	List
MM-624UF	6	13.19	24	4	1.8	\$ 116
MM-630UF	6	13.19	30	4	2.3	\$ 128
MM-636UF	6	13.19	36	4	2.7	\$ 147

- Closed flat top

**UPPER FILLER SLOPED**



model	w	d	h	wt	cu ft	List
MM-629UFS	6	13.19	29	4	2.2	\$ 153
MM-635UFS	6	13.19	35	4	2.6	\$ 164
MM-641UFS	6	13.19	41	4	3.0	\$ 192

- Closed sloped top

**OPTIONS**

**Exterior Chassis Finish**

TFL Woodgrain Laminate

*Quartered*

QE2 DS2 PC2

EN2 CO2 ST2

NW2

*Flat Cut*

LC2 KD2 MH2

MC2 VM2 LM2

BU2 BE2 QR2

*Textured Laminate*

*(10% upcharge)*

NG2 NH2

TFL Solid Color Laminate

BL2 GR2 SG2

FW2 RW2

**HOW TO ORDER**

SPECIFY: Exterior chassis finish. See page 11 for a complete offering of finishes.

**MODEL NUMBER**

MM-624UF

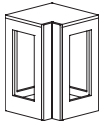
**Exterior Chassis Finish**

NW2



UPPER CABINETS CORNER FILLER

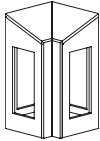
CORNER UPPER FILLER



model	w	d	h	wt	cu ft	List
MM-1624CUF	16	16	24	40	4.9	\$ 584
MM-1630CUF	16	16	30	45	6.0	\$ 642
MM-1636CUF	16	16	36	50	7.1	\$ 739

- Closed flat top

CORNER UPPER FILLER SLOPED



model	w	d	h	wt	cu ft	List
MM-1629CUFS	16	16	29	40	5.8	\$ 690
MM-1635CUFS	16	16	35	45	6.9	\$ 759
MM-1641CUFS	16	16	41	50	8.1	\$ 888

- Closed sloped top

OPTIONS

Exterior Chassis Finish

TFL Woodgrain Laminate

*Quartered*

QE2 DS2 PC2

EN2 CO2 ST2

NW2

*Flat Cut*

LC2 KD2 MH2

MC2 VM2 LM2

BU2 BE2 QR2

*Textured Laminate*

*(10% upcharge)*

NG2 NH2

TFL Solid Color Laminate

BL2 GR2 SG2

FW2 RW2

HOW TO ORDER

SPECIFY: Exterior chassis finish. See page 11 for a complete offering of finishes.

MODEL NUMBER

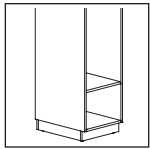
MM-1624CUF

Exterior Chassis Finish

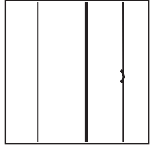
NW2

**STORAGE CABINET DESIGN FEATURES**

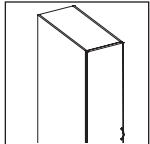
Carolina is committed to a better way to experience healthcare. Mile Marker™ offers many built-in standard features and multiple optional upgrades that enhance the beauty and performance of the facility. These extras offer a better experience for the patient and family, and contribute to less stress for staff.



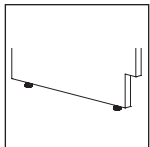
**CHASSIS**  
are TFL (Thermally Fused Laminate) with 1 MM edge banding.



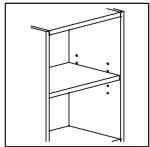
**DOORS**  
are TFL (Thermally Fused Laminate) with 2 MM PP edges.



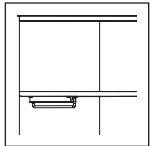
**FLAT TOPS OR SLOPED TOPS**  
available for local codes.



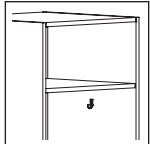
**ADJUSTABLE LEVELERS**  
are included on all storage cabinets for leveling on uneven floors.



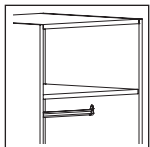
**ADJUSTABLE AND FIXED SHELVES**  
available for added flexibility.



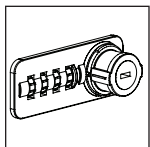
**OPTIONAL WARDROBE RAIL**



**OPTIONAL COAT HOOK**



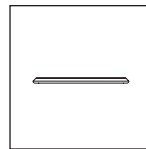
**OPTIONAL HANGING BAR**



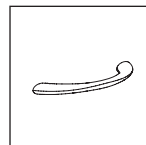
**KEYLESS MECHANICAL**  
include standard and keyless with combination keypad.



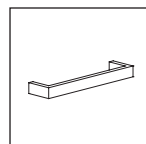
**PAD LOCK**



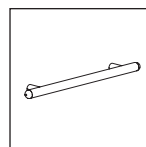
**AWE PULL**  
is available in Luster Grey, Bone White, Chalk, Onyx and Satin Nickel.



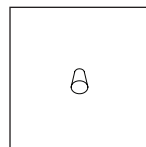
**CREST PULL**  
is available in Luster Grey, Bone White, Chalk, Onyx and Satin Nickel.



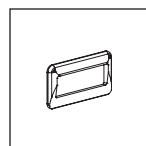
**ERA PULL**  
is available in Luster Grey, Bone White, Chalk, Onyx and Satin Nickel.



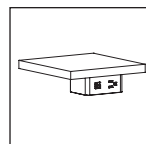
**FORTE PULL**  
is available in Luster Grey, Bone White, Chalk, Onyx and Satin Nickel.



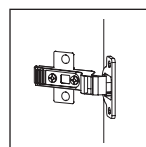
**PURE PULL**  
is available in Luster Grey, Bone White, Chalk, Onyx and Satin Nickel.



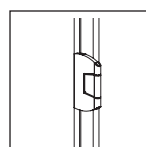
**RECESSED PULL**  
is available in Satin Nickel only.



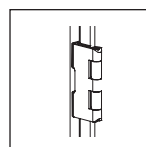
**OPTIONAL POWER**  
power feeds and power jumpers are purchased separately on page 261.



**EURO SOFT CLOSE HINGE**



**EURO KNUCKLE HINGE**



**5 KNUCKLE HINGE**

**CHASSIS FINISH**

**EXTERIOR/INTERIOR**

<b>VM2</b> - Cognac	<b>NW2</b> - Root	<b>QR2</b> - Quarry
<b>MC2</b> - Mocha	<b>EN2</b> - Toffee	<b>ST2</b> - Steel
<b>QE2</b> - Molasses	<b>BE2</b> - Blonde	<b>BL2</b> - Black
<b>LC2</b> - Sienna	<b>MH2</b> - Honey	<b>FW2</b> - Frosty White
<b>BU2</b> - Burnished	<b>LM2</b> - Ochre	<b>GR2</b> - Grey
<b>DS2</b> - Desert	<b>CO2</b> - Linen	<b>RW2</b> - Pure White
<b>KD2</b> - Kodiak	<b>PC2</b> - Pecan	<b>SG2</b> - Slate Grey

**10% UPCHARGE**

<b>NH2</b>	<b>NG2</b>
Natural Champagne	Natural Walnut

**TOP FINISH**

Standard TFL Options (see page 11)

<b>VM2</b> - Cognac	<b>NW2</b> - Root	<b>QR2</b> - Quarry
<b>MC2</b> - Mocha	<b>EN2</b> - Toffee	<b>ST2</b> - Steel
<b>QE2</b> - Molasses	<b>BE2</b> - Blonde	<b>BL2</b> - Black
<b>LC2</b> - Sienna	<b>MH2</b> - Honey	<b>FW2</b> - Frosty White
<b>BU2</b> - Burnished	<b>LM2</b> - Ochre	<b>GR2</b> - Grey
<b>DS2</b> - Desert	<b>CO2</b> - Linen	<b>RW2</b> - Pure White
<b>KD2</b> - Kodiak	<b>PC2</b> - Pecan	<b>SG2</b> - Slate Grey

Standard 3DL Options (use with B6D Spill Groove Option) (see page 11)

7 tier / Solid Surface Options (see page 13-14) (upcharge varies by product)

**DOOR/DRAWER**

**FINISH/EDGE FINISH**

Standard TFL Options (see page 11)

<b>VM2</b> - Cognac	<b>NW2</b> - Root	<b>QR2</b> - Quarry
<b>MC2</b> - Mocha	<b>EN2</b> - Toffee	<b>ST2</b> - Steel
<b>QE2</b> - Molasses	<b>BE2</b> - Blonde	<b>BL2</b> - Black
<b>LC2</b> - Sienna	<b>MH2</b> - Honey	<b>FW2</b> - Frosty White
<b>BU2</b> - Burnished	<b>LM2</b> - Ochre	<b>GR2</b> - Grey
<b>DS2</b> - Desert	<b>CO2</b> - Linen	<b>RW2</b> - Pure White
<b>KD2</b> - Kodiak	<b>PC2</b> - Pecan	<b>SG2</b> - Slate Grey

**10% UPCHARGE**

<b>NH2</b>	<b>NG2</b>
Natural Champagne	Natural Walnut

**SHELF (See page 138 for details)**

- X9** - None, standard
- B3N** - Fixed (upcharge \$260)
- R8** - Adjustable (upcharge \$260)
- A4S** - Coat Hooks (upcharge varies by product)
- B3P** - Wardrobe Rail available on 24" wide models (upcharge \$82)
- R7** - Hanging Bar available on 24" deep models (upcharge \$39)
- R8** - Three Adjustable Shelves (upcharge varies by product)
- B3N** - Three Fixed Shelves (upcharge varies by product)

**SPILL GROOVE**

- X9** - None, standard
- B6D** - Spill Groove (upcharge \$80)

**BACKSPLASH**

- X9** - None, standard
- B6E** - Backsplash (upcharge \$172)

**HINGE**

**LOCATION**

- B3K** - Left
- B3L** - Right

**OPTIONS (See page 138 for details)**

- B3G** - Euro Soft Close Hinge, standard
- B3J** - 5 Knuckle Hinge
- B3H** - Euro Knuckle Hinge (upcharge varies by product)

**PULL (See page 138 for details)**

- AS** - No Pull
- B3D, SNCK** - Recessed - Satin Nickel only
- Crest** - Luster Grey, Bone White, Chalk, Onyx and Satin Nickel
- Era** - Luster Grey, Bone White, Chalk, Onyx and Satin Nickel
- Forte** - Luster Grey, Bone White, Chalk, Onyx and Satin Nickel
- Grip** - Luster Grey, Bone White, Chalk, Onyx and Satin Nickel
- Pure** - Luster Grey, Bone White, Chalk, Onyx and Satin Nickel

**LOCKS (See page 138 for details)**

- NL** - No Lock, standard
- LCK** - Key Specific (upcharge varies by product)
- H5S** - Assigned User Keyless Electronic
- H5T** - Shared User Keyless Electronic
- KML1** - Assigned User Keyless Mechanical
- KML2** - Shared User Keyless Mechanical
- PHL1** - Pad Lock Hasp

**NOTE:** Lock finish will match the Pull Finish selection.

Luster Grey, Bone White, Chalk, and Satin Nickel

- LCK** - Silver
- H5S** - Silver
- H5T** - Silver
- KML1** - White
- KML2** - White
- PHL1** - Silver

Onyx

- LCK** - Black
- H5S** - Black
- H5T** - Black
- KML1** - Black
- KML2** - Black
- PHL1** - Black

**POWER**

- X9** - None, standard
- RM** - Power
- H6K** - Daisy Chainable Power

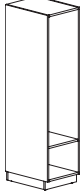
**REMOVABLE DRAWER LINERS**

- Q3** - None, standard
- Q4** - One Liner (upcharge \$80)
- Q5** - Two Liners (upcharge \$160)
- Q6** - Three Liners (upcharge \$240)
- B3F** - Four Liners (upcharge \$320)

**STORAGE CABINETS SINGLE**

- Flat top
- 1 stationary shelf
- 4" recessed toe kick
- Adjustable levelers
- May be installed alone or with multiple cabinets
- In order to complete installation, either cove molding or toe kick rail must be adhered. Order cove molding separately, preferably from a local supplier early in the project. See pages 44 and 45 for toe kick rail offerings.
- All Mile Marker cabinetry is required to be anchored to a wall or floor. Installation hardware is not included with cabinets.

**STORAGE CABINET OPEN**



**13.19" DEEP MODELS**

model	w	d	h	wt	cu ft	List
MM-121460SC	12	13.19	60	110	7.6	\$ 531
MM-151460SC	15	13.19	60	113	9.3	\$ 567
MM-181460SC	18	13.19	60	115	10.9	\$ 602
MM-211460SC	21	13.19	60	118	12.5	\$ 641
MM-241460SC	24	13.19	60	120	14.2	\$ 679
MM-271460SC	27	13.19	60	125	15.8	\$ 799
MM-301460SC	30	13.19	60	130	17.4	\$ 918
MM-331460SC	33	13.19	60	135	19.1	\$ 966
MM-361460SC	36	13.19	60	140	20.7	\$ 1,015
MM-121466SC	12	13.19	66	115	8.4	\$ 578
MM-151466SC	15	13.19	66	118	10.2	\$ 617
MM-181466SC	18	13.19	66	120	12.0	\$ 655
MM-211466SC	21	13.19	66	123	13.7	\$ 698
MM-241466SC	24	13.19	66	125	15.5	\$ 740
MM-271466SC	27	13.19	66	130	17.3	\$ 868
MM-301466SC	30	13.19	66	135	19.1	\$ 997
MM-331466SC	33	13.19	66	140	20.9	\$ 1,050
MM-361466SC	36	13.19	66	145	22.7	\$ 1,103
MM-121472SC	12	13.19	72	120	9.1	\$ 635
MM-151472SC	15	13.19	72	123	11.1	\$ 668
MM-181472SC	18	13.19	72	125	13.0	\$ 702
MM-211472SC	21	13.19	72	128	15.0	\$ 777
MM-241472SC	24	13.19	72	130	16.9	\$ 852
MM-271472SC	27	13.19	72	135	18.9	\$ 1,010
MM-301472SC	30	13.19	72	140	20.8	\$ 1,166
MM-331472SC	33	13.19	72	145	22.8	\$ 1,185
MM-361472SC	36	13.19	72	150	24.7	\$ 1,204

**OPTIONS**

Exterior Chassis Finish	Shelf
TFL Woodgrain Laminate	<b>X9</b> None <b>Standard</b>
<i>Quartered</i>	<b>A4S</b> Coat Hooks <b>\$28</b>
<b>QE2 DS2 PC2</b>	<b>B3P</b> Wardrobe Rail (24" wide models only) <b>\$82</b>
<b>EN2 CO2 ST2</b>	<b>R7</b> Hanging Bar (24" deep models only) <b>\$39</b>
<b>NW2</b>	<b>R8</b> Three Adjustable Shelves <b>\$260</b>
<i>Flat Cut</i>	<b>B3N</b> Three Fixed Shelves <b>\$260</b>
<b>LC2 KD2 MH2</b>	
<b>MC2 VM2 LM2</b>	
<b>BU2 BE2 QR2</b>	
<i>Textured Laminate</i>	
<i>(10% upcharge)</i>	
<b>NG2 NH2</b>	
TFL Solid Color Laminate	
<b>BL2 GR2 SG2</b>	
<b>FW2 RW2</b>	

**HOW TO ORDER**

SPECIFY: Exterior chassis finish | shelf. See page 11 for a complete offering of finishes.

**MODEL NUMBER**

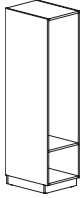
MM-121460SC

Exterior Chassis Finish	Shelf
NW2	A4S

**STORAGE CABINETS SINGLE (CONT.)**

- Flat top
- 1 stationary shelf
- 4" recessed toe kick
- Adjustable levelers
- May be installed alone or with multiple cabinets
- In order to complete installation, either cove molding or toe kick rail must be adhered. Order cove molding separately, preferably from a local supplier early in the project. See pages 44 and 45 for toe kick rail offerings.
- All Mile Marker cabinetry is required to be anchored to a wall or floor. Installation hardware is not included with cabinets.

**STORAGE CABINET OPEN**



**13.19" DEEP MODELS**

model	w	d	h	wt	cu ft	List
MM-121478SC	12	13.19	78	125	9.8	\$ 689
MM-151478SC	15	13.19	78	128	12.0	\$ 759
MM-181478SC	18	13.19	78	130	14.1	\$ 828
MM-211478SC	21	13.19	78	133	16.2	\$ 908
MM-241478SC	24	13.19	78	135	18.3	\$ 986
MM-271478SC	27	13.19	78	140	20.4	\$ 1,118
MM-301478SC	30	13.19	78	145	22.5	\$ 1,249
MM-331478SC	33	13.19	78	150	24.6	\$ 1,281
MM-361478SC	36	13.19	78	155	26.7	\$ 1,313
MM-121484SC	12	13.19	84	130	10.6	\$ 804
MM-151484SC	15	13.19	84	133	12.9	\$ 895
MM-181484SC	18	13.19	84	135	15.1	\$ 984
MM-211484SC	21	13.19	84	138	17.4	\$ 1,052
MM-241484SC	24	13.19	84	140	19.7	\$ 1,121
MM-271484SC	27	13.19	84	145	21.9	\$ 1,205
MM-301484SC	30	13.19	84	150	24.2	\$ 1,288
MM-331484SC	33	13.19	84	155	26.5	\$ 1,351
MM-361484SC	36	13.19	84	160	28.7	\$ 1,413

**OPTIONS**

Exterior Chassis Finish	Shelf
TFL Woodgrain Laminate	<b>X9</b> None <b>Standard</b>
<i>Quartered</i>	<b>A4S</b> Coat Hooks <b>\$28</b>
<b>QE2 DS2 PC2</b>	<b>B3P</b> Wardrobe Rail (24" wide models only) <b>\$82</b>
<b>EN2 CO2 ST2</b>	<b>R7</b> Hanging Bar (24" deep models only) <b>\$39</b>
<b>NW2</b>	<b>R8</b> Three Adjustable Shelves <b>\$260</b>
<i>Flat Cut</i>	<b>B3N</b> Three Fixed Shelves <b>\$260</b>
<b>LC2 KD2 MH2</b>	
<b>MC2 VM2 LM2</b>	
<b>BU2 BE2 QR2</b>	
<i>Textured Laminate</i>	
<i>(10% upcharge)</i>	
<b>NG2 NH2</b>	
TFL Solid Color Laminate	
<b>BL2 GR2 SG2</b>	
<b>FW2 RW2</b>	

**HOW TO ORDER**

SPECIFY: Exterior chassis finish | shelf. See page 11 for a complete offering of finishes.

**MODEL NUMBER**

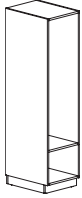
MM-121478SC

Exterior Chassis Finish	Shelf
NW2	A4S

**STORAGE CABINETS SINGLE (CONT.)**

- Flat top
- 1 stationary shelf
- 4" recessed toe kick
- Adjustable levelers
- May be installed alone or with multiple cabinets
- In order to complete installation, either cove molding or toe kick rail must be adhered. Order cove molding separately, preferably from a local supplier early in the project. See pages 44 and 45 for toe kick rail offerings.
- All Mile Marker cabinetry is required to be anchored to a wall or floor. Installation hardware is not included with cabinets.

**STORAGE CABINET OPEN**



**17.5" DEEP MODELS**

model	w	d	h	wt	cu ft	List
MM-121860SC	12	17.5	60	115	9.8	\$ 593
MM-151860SC	15	17.5	60	118	11.9	\$ 634
MM-181860SC	18	17.5	60	120	14.0	\$ 671
MM-211860SC	21	17.5	60	123	16.1	\$ 741
MM-241860SC	24	17.5	60	125	18.2	\$ 809
MM-271860SC	27	17.5	60	130	20.3	\$ 966
MM-301860SC	30	17.5	60	145	22.4	\$ 1,122
MM-331860SC	33	17.5	60	140	24.5	\$ 1,227
MM-361860SC	36	17.5	60	155	26.6	\$ 1,330
MM-121866SC	12	17.5	66	120	10.7	\$ 644
MM-151866SC	15	17.5	66	123	13.0	\$ 688
MM-181866SC	18	17.5	66	125	15.3	\$ 728
MM-211866SC	21	17.5	66	128	17.6	\$ 804
MM-241866SC	24	17.5	66	130	20.0	\$ 880
MM-271866SC	27	17.5	66	135	22.3	\$ 1,050
MM-301866SC	30	17.5	66	150	24.6	\$ 1,220
MM-331866SC	33	17.5	66	145	26.9	\$ 1,334
MM-361866SC	36	17.5	66	160	29.2	\$ 1,446
MM-121872SC	12	17.5	72	125	11.7	\$ 706
MM-151872SC	15	17.5	72	128	14.2	\$ 779
MM-181872SC	18	17.5	72	130	16.7	\$ 851
MM-211872SC	21	17.5	72	133	19.2	\$ 950
MM-241872SC	24	17.5	72	135	21.7	\$ 1,049
MM-271872SC	27	17.5	72	140	24.2	\$ 1,194
MM-301872SC	30	17.5	72	155	26.7	\$ 1,339
MM-331872SC	33	17.5	72	150	29.2	\$ 1,412
MM-361872SC	36	17.5	72	165	31.7	\$ 1,484

**OPTIONS**

Exterior Chassis Finish	Shelf
TFL Woodgrain Laminate	<b>X9</b> None <b>Standard</b>
<i>Quartered</i>	<b>A4S</b> Coat Hooks <b>\$28</b>
<b>QE2 DS2 PC2</b>	<b>B3P</b> Wardrobe Rail (24" wide models only) <b>\$82</b>
<b>EN2 CO2 ST2</b>	<b>R7</b> Hanging Bar (24" deep models only) <b>\$39</b>
<b>NW2</b>	<b>R8</b> Three Adjustable Shelves <b>\$260</b>
<i>Flat Cut</i>	<b>B3N</b> Three Fixed Shelves <b>\$260</b>
<b>LC2 KD2 MH2</b>	
<b>MC2 VM2 LM2</b>	
<b>BU2 BE2 QR2</b>	
<i>Textured Laminate</i>	
<i>(10% upcharge)</i>	
<b>NG2 NH2</b>	
TFL Solid Color Laminate	
<b>BL2 GR2 SG2</b>	
<b>FW2 RW2</b>	

**HOW TO ORDER**

SPECIFY: Exterior chassis finish | shelf. See page 11 for a complete offering of finishes.

**MODEL NUMBER**

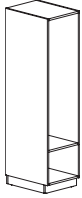
MM-121860SC

Exterior Chassis Finish	Shelf
NW2	A4S

**STORAGE CABINETS SINGLE (CONT.)**

- Flat top
- 1 stationary shelf
- 4" recessed toe kick
- Adjustable levelers
- May be installed alone or with multiple cabinets
- In order to complete installation, either cove molding or toe kick rail must be adhered. Order cove molding separately, preferably from a local supplier early in the project. See pages 44 and 45 for toe kick rail offerings.
- All Mile Marker cabinetry is required to be anchored to a wall or floor. Installation hardware is not included with cabinets.

**STORAGE CABINET OPEN**



**17.5" DEEP MODELS**

model	w	d	h	wt	cu ft	List
MM-121878SC	12	17.5	78	130	12.6	\$ 823
MM-151878SC	15	17.5	78	133	15.3	\$ 897
MM-181878SC	18	17.5	78	135	18.1	\$ 972
MM-211878SC	21	17.5	78	138	20.8	\$ 1,069
MM-241878SC	24	17.5	78	140	23.5	\$ 1,165
MM-271878SC	27	17.5	78	145	26.2	\$ 1,301
MM-301878SC	30	17.5	78	160	28.9	\$ 1,438
MM-331878SC	33	17.5	78	155	31.6	\$ 1,483
MM-361878SC	36	17.5	78	170	34.3	\$ 1,527
MM-121884SC	12	17.5	84	135	13.6	\$ 929
MM-151884SC	15	17.5	84	138	16.5	\$ 1,016
MM-181884SC	18	17.5	84	140	19.4	\$ 1,102
MM-211884SC	21	17.5	84	143	22.3	\$ 1,238
MM-241884SC	24	17.5	84	145	25.2	\$ 1,373
MM-271884SC	27	17.5	84	150	28.1	\$ 1,424
MM-301884SC	30	17.5	84	165	31.1	\$ 1,473
MM-331884SC	33	17.5	84	160	34.0	\$ 1,530
MM-361884SC	36	17.5	84	175	36.9	\$ 1,586

**OPTIONS**

Exterior Chassis Finish	Shelf
TFL Woodgrain Laminate	<b>X9</b> None <b>Standard</b>
<i>Quartered</i>	<b>A4S</b> Coat Hooks <b>\$28</b>
<b>QE2 DS2 PC2</b>	<b>B3P</b> Wardrobe Rail (24" wide models only) <b>\$82</b>
<b>EN2 CO2 ST2</b>	<b>R7</b> Hanging Bar (24" deep models only) <b>\$39</b>
<b>NW2</b>	<b>R8</b> Three Adjustable Shelves <b>\$260</b>
<i>Flat Cut</i>	<b>B3N</b> Three Fixed Shelves <b>\$260</b>
<b>LC2 KD2 MH2</b>	
<b>MC2 VM2 LM2</b>	
<b>BU2 BE2 QR2</b>	
<i>Textured Laminate</i>	
<i>(10% upcharge)</i>	
<b>NG2 NH2</b>	
TFL Solid Color Laminate	
<b>BL2 GR2 SG2</b>	
<b>FW2 RW2</b>	

**HOW TO ORDER**

SPECIFY: Exterior chassis finish | shelf. See page 11 for a complete offering of finishes.

**MODEL NUMBER**

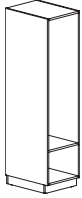
MM-121878SC

Exterior Chassis Finish	Shelf
NW2	A4S

**STORAGE CABINETS SINGLE (CONT.)**

- Flat top
- 1 stationary shelf
- 4" recessed toe kick
- Adjustable levelers
- May be installed alone or with multiple cabinets
- In order to complete installation, either cove molding or toe kick rail must be adhered. Order cove molding separately, preferably from a local supplier early in the project. See pages 44 and 45 for toe kick rail offerings.
- All Mile Marker cabinetry is required to be anchored to a wall or floor. Installation hardware is not included with cabinets.

**STORAGE CABINET OPEN**



**23.5" DEEP MODELS**

model	w	d	h	wt	cu ft	List
MM-122460SC	12	23.5	60	120	12.8	\$ 664
MM-152460SC	15	23.5	60	123	15.6	\$ 759
MM-182460SC	18	23.5	60	125	18.3	\$ 856
MM-212460SC	21	23.5	60	128	21.0	\$ 941
MM-242460SC	24	23.5	60	130	23.8	\$ 1,024
MM-272460SC	27	23.5	60	135	26.5	\$ 1,192
MM-302460SC	30	23.5	60	160	29.3	\$ 1,359
MM-332460SC	33	23.5	60	145	32.0	\$ 1,413
MM-362460SC	36	23.5	60	170	34.8	\$ 1,468
MM-122466SC	12	23.5	66	125	14.0	\$ 722
MM-152466SC	15	23.5	66	128	17.1	\$ 826
MM-182466SC	18	23.5	66	130	20.1	\$ 931
MM-212466SC	21	23.5	66	133	23.1	\$ 1,022
MM-242466SC	24	23.5	66	135	26.1	\$ 1,113
MM-272466SC	27	23.5	66	140	29.1	\$ 1,295
MM-302466SC	30	23.5	66	165	32.1	\$ 1,476
MM-332466SC	33	23.5	66	150	35.1	\$ 1,536
MM-362466SC	36	23.5	66	175	38.1	\$ 1,595
MM-122472SC	12	23.5	72	130	15.3	\$ 838
MM-152472SC	15	23.5	72	133	18.6	\$ 943
MM-182472SC	18	23.5	72	135	21.8	\$ 1,049
MM-212472SC	21	23.5	72	138	25.1	\$ 1,169
MM-242472SC	24	23.5	72	140	28.4	\$ 1,286
MM-272472SC	27	23.5	72	145	31.7	\$ 1,401
MM-302472SC	30	23.5	72	170	34.9	\$ 1,515
MM-332472SC	33	23.5	72	155	38.2	\$ 1,592
MM-362472SC	36	23.5	72	180	41.5	\$ 1,670

**OPTIONS**

Exterior Chassis Finish	Shelf
TFL Woodgrain Laminate	<b>X9</b> None <b>Standard</b>
<i>Quartered</i>	<b>A4S</b> Coat Hooks <b>\$28</b>
<b>QE2 DS2 PC2</b>	<b>B3P</b> Wardrobe Rail (24" wide models only) <b>\$82</b>
<b>EN2 CO2 ST2</b>	<b>R7</b> Hanging Bar (24" deep models only) <b>\$39</b>
<b>NW2</b>	<b>R8</b> Three Adjustable Shelves <b>\$260</b>
<i>Flat Cut</i>	<b>B3N</b> Three Fixed Shelves <b>\$260</b>
<b>LC2 KD2 MH2</b>	
<b>MC2 VM2 LM2</b>	
<b>BU2 BE2 QR2</b>	
<i>Textured Laminate</i>	
<i>(10% upcharge)</i>	
<b>NG2 NH2</b>	
TFL Solid Color Laminate	
<b>BL2 GR2 SG2</b>	
<b>FW2 RW2</b>	

**HOW TO ORDER**

SPECIFY: Exterior chassis finish | shelf. See page 11 for a complete offering of finishes.

**MODEL NUMBER**

MM-122460SC

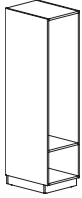
Exterior Chassis Finish	Shelf
NW2	A4S



**STORAGE CABINETS SINGLE (CONT.)**

- Flat top
- 1 stationary shelf
- 4" recessed toe kick
- Adjustable levelers
- May be installed alone or with multiple cabinets
- In order to complete installation, either cove molding or toe kick rail must be adhered. Order cove molding separately, preferably from a local supplier early in the project. See pages 44 and 45 for toe kick rail offerings.
- All Mile Marker cabinetry is required to be anchored to a wall or floor. Installation hardware is not included with cabinets.

**STORAGE CABINET OPEN**



**23.5" DEEP MODELS**

model	w	d	h	wt	cu ft	List
MM-122478SC	12	23.5	78	135	16.5	\$ 951
MM-152478SC	15	23.5	78	138	20.1	\$ 1,039
MM-182478SC	18	23.5	78	140	23.6	\$ 1,125
MM-212478SC	21	23.5	78	143	27.2	\$ 1,239
MM-242478SC	24	23.5	78	145	30.7	\$ 1,352
MM-272478SC	27	23.5	78	150	34.2	\$ 1,479
MM-302478SC	30	23.5	78	175	37.8	\$ 1,605
MM-332478SC	33	23.5	78	160	41.3	\$ 1,658
MM-362478SC	36	23.5	78	185	44.9	\$ 1,712
MM-122484SC	12	23.5	84	140	17.8	\$ 1,068
MM-152484SC	15	23.5	84	143	21.6	\$ 1,176
MM-182484SC	18	23.5	84	145	25.4	\$ 1,283
MM-212484SC	21	23.5	84	148	29.2	\$ 1,405
MM-242484SC	24	23.5	84	150	33.0	\$ 1,527
MM-272484SC	27	23.5	84	155	36.8	\$ 1,595
MM-302484SC	30	23.5	84	180	40.6	\$ 1,663
MM-332484SC	33	23.5	84	165	44.4	\$ 1,715
MM-362484SC	36	23.5	84	190	48.2	\$ 1,766

**OPTIONS**

Exterior Chassis Finish	Shelf
TFL Woodgrain Laminate	<b>X9</b> None <b>Standard</b>
<i>Quartered</i>	<b>A4S</b> Coat Hooks <b>\$28</b>
<b>QE2 DS2 PC2</b>	<b>B3P</b> Wardrobe Rail (24" wide models only) <b>\$82</b>
<b>EN2 CO2 ST2</b>	<b>R7</b> Hanging Bar (24" deep models only) <b>\$39</b>
<b>NW2</b>	<b>R8</b> Three Adjustable Shelves <b>\$260</b>
<i>Flat Cut</i>	<b>B3N</b> Three Fixed Shelves <b>\$260</b>
<b>LC2 KD2 MH2</b>	
<b>MC2 VM2 LM2</b>	
<b>BU2 BE2 QR2</b>	
<i>Textured Laminate</i>	
<i>(10% upcharge)</i>	
<b>NG2 NH2</b>	
TFL Solid Color Laminate	
<b>BL2 GR2 SG2</b>	
<b>FW2 RW2</b>	

**HOW TO ORDER**

SPECIFY: Exterior chassis finish | shelf. See page 11 for a complete offering of finishes.

**MODEL NUMBER**

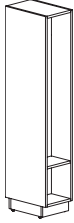
MM-122478SC

Exterior Chassis Finish	Shelf
NW2	A4S

**STORAGE CABINETS DOUBLE SIDED**

- Flat top
- Cabinet is open on opposite sides with a full length vertical divider separating the open two sides
- 1 stationary shelf on each side
- 4" recessed toe kick
- Adjustable levelers
- May be installed alone or with multiple cabinets
- In order to complete installation, either cove molding or toe kick rail must be adhered. Order cove molding separately, preferably from a local supplier early in the project. See pages 44 and 45 for toe kick rail offerings.
- All Mile Marker cabinetry is required to be anchored to a wall or floor. Installation hardware is not included with cabinets.

**DOUBLE SIDED STORAGE CABINET OPEN**



**24" DEEP MODELS**

model	w	d	h	wt	cu ft	List
MM-122460DSSC	12	24	60	130	13.1	\$ 735
MM-152460DSSC	15	24	60	135	15.9	\$ 851
MM-182460DSSC	18	24	60	140	18.7	\$ 940
MM-212460DSSC	21	24	60	145	21.5	\$ 1,012
MM-242460DSSC	24	24	60	150	24.3	\$ 1,122
MM-122466DSSC	12	24	66	135	14.3	\$ 814
MM-152466DSSC	15	24	66	140	17.4	\$ 927
MM-182466DSSC	18	24	66	145	20.5	\$ 1,042
MM-212466DSSC	21	24	66	150	23.5	\$ 1,124
MM-242466DSSC	24	24	66	155	26.6	\$ 1,244
MM-122472DSSC	12	24	72	140	15.6	\$ 942
MM-152472DSSC	15	24	72	145	18.9	\$ 1,056
MM-182472DSSC	18	24	72	150	22.3	\$ 1,172
MM-212472DSSC	21	24	72	155	25.6	\$ 1,284
MM-242472DSSC	24	24	72	160	28.9	\$ 1,434
MM-122478DSSC	12	24	78	145	16.9	\$ 1,068
MM-152478DSSC	15	24	78	150	20.5	\$ 1,162
MM-182478DSSC	18	24	78	155	24.1	\$ 1,254
MM-212478DSSC	21	24	78	160	27.7	\$ 1,363
MM-242478DSSC	24	24	78	165	31.3	\$ 1,508
MM-122484DSSC	12	24	84	150	18.1	\$ 1,196
MM-152484DSSC	15	24	84	155	22.0	\$ 1,313
MM-182484DSSC	18	24	84	160	25.9	\$ 1,430
MM-212484DSSC	21	24	84	165	29.8	\$ 1,546
MM-242484DSSC	24	24	84	170	33.6	\$ 1,697

**OPTIONS**

Exterior Chassis Finish	Shelf
TFL Woodgrain Laminate <i>Quartered</i> QE2 DS2 PC2 EN2 CO2 ST2 NW2 <i>Flat Cut</i> LC2 KD2 MH2 MC2 VM2 LM2 BU2 BE2 QR2 <i>Textured Laminate</i> <i>(10% upcharge)</i> NG2 NH2 TFL Solid Color Laminate BL2 GR2 SG2 FW2 RW2	X9 None <b>Standard</b> A4S Coat Hooks <b>\$50</b> R8 Three Adjustable Shelves <b>\$345</b> B3N Three Fixed Shelves <b>\$345</b>

**HOW TO ORDER**

SPECIFY: Exterior chassis finish | shelf. See page 11 for a complete offering of finishes.

**MODEL NUMBER**

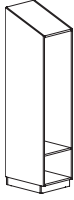
MM-122460DSSC

Exterior Chassis Finish	Shelf
NW2	A4S

**STORAGE CABINETS SINGLE**

- Sloped top
- 1 stationary shelf
- 4" recessed toe kick
- Adjustable levelers
- May be installed alone or with multiple cabinets
- In order to complete installation, either cove molding or toe kick rail must be adhered. Order cove molding separately, preferably from a local supplier early in the project. See pages 44 and 45 for toe kick rail offerings.
- All Mile Marker cabinetry is required to be anchored to a wall or floor. Installation hardware is not included with cabinets.

**STORAGE CABINET OPEN SLOPED**



**13.19" DEEP MODELS**

model	w	d	h	wt	cu ft	List
MM-121465SCS	12	13.19	65	110	8.2	\$ 591
MM-151465SCS	15	13.19	65	113	10.0	\$ 629
MM-181465SCS	18	13.19	65	115	11.8	\$ 669
MM-211465SCS	21	13.19	65	118	13.5	\$ 706
MM-241465SCS	24	13.19	65	120	15.3	\$ 743
MM-271465SCS	27	13.19	65	125	17.1	\$ 863
MM-301465SCS	30	13.19	65	130	18.8	\$ 984
MM-331465SCS	33	13.19	65	135	20.6	\$ 1,033
MM-361465SCS	36	13.19	65	140	22.4	\$ 1,081
MM-121471SCS	12	13.19	71	115	9.0	\$ 636
MM-151471SCS	15	13.19	71	118	10.9	\$ 676
MM-181471SCS	18	13.19	71	120	12.8	\$ 719
MM-211471SCS	21	13.19	71	123	14.8	\$ 759
MM-241471SCS	24	13.19	71	125	16.7	\$ 799
MM-271471SCS	27	13.19	71	130	18.6	\$ 929
MM-301471SCS	30	13.19	71	135	20.5	\$ 1,057
MM-331471SCS	33	13.19	71	140	22.5	\$ 1,110
MM-361471SCS	36	13.19	71	145	24.4	\$ 1,163
MM-121477SCS	12	13.19	77	120	9.7	\$ 694
MM-151477SCS	15	13.19	77	123	11.8	\$ 726
MM-181477SCS	18	13.19	77	125	13.9	\$ 758
MM-211477SCS	21	13.19	77	128	16.0	\$ 835
MM-241477SCS	24	13.19	77	130	18.1	\$ 912
MM-271477SCS	27	13.19	77	135	20.1	\$ 1,070
MM-301477SCS	30	13.19	77	140	22.2	\$ 1,227
MM-331477SCS	33	13.19	77	145	24.3	\$ 1,245
MM-361477SCS	36	13.19	77	150	26.4	\$ 1,264

**OPTIONS**

Exterior Chassis Finish	Shelf
TFL Woodgrain Laminate	<b>X9</b> None <b>Standard</b>
<i>Quartered</i>	<b>A4S</b> Coat Hooks <b>\$28</b>
<b>QE2 DS2 PC2</b>	<b>B3P</b> Wardrobe Rail (24" wide models only) <b>\$82</b>
<b>EN2 CO2 ST2</b>	<b>R7</b> Hanging Bar (24" deep models only) <b>\$39</b>
<b>NW2</b>	<b>R8</b> Three Adjustable Shelves <b>\$260</b>
<i>Flat Cut</i>	<b>B3N</b> Three Fixed Shelves <b>\$260</b>
<b>LC2 KD2 MH2</b>	
<b>MC2 VM2 LM2</b>	
<b>BU2 BE2 QR2</b>	
<i>Textured Laminate</i>	
<i>(10% upcharge)</i>	
<b>NG2 NH2</b>	
TFL Solid Color Laminate	
<b>BL2 GR2 SG2</b>	
<b>FW2 RW2</b>	

**HOW TO ORDER**

SPECIFY: Exterior chassis finish | shelf. See page 11 for a complete offering of finishes.

**MODEL NUMBER**

MM-121465SCS

Exterior Chassis Finish	Shelf
NW2	A4S

**STORAGE CABINETS SINGLE (CONT.)**

- Sloped top
- 1 stationary shelf
- 4" recessed toe kick
- Adjustable levelers
- May be installed alone or with multiple cabinets
- In order to complete installation, either cove molding or toe kick rail must be adhered. Order cove molding separately, preferably from a local supplier early in the project. See pages 44 and 45 for toe kick rail offerings.
- All Mile Marker cabinetry is required to be anchored to a wall or floor. Installation hardware is not included with cabinets.

**STORAGE CABINET OPEN SLOPED**



**13.19" DEEP MODELS**

model	w	d	h	wt	cu ft	List
MM-121483SCS	12	13.19	83	125	10.5	\$ 748
MM-151483SCS	15	13.19	83	128	12.7	\$ 818
MM-181483SCS	18	13.19	83	130	14.9	\$ 888
MM-211483SCS	21	13.19	83	133	17.2	\$ 959
MM-241483SCS	24	13.19	83	135	19.4	\$ 1,029
MM-271483SCS	27	13.19	83	140	21.7	\$ 1,170
MM-301483SCS	30	13.19	83	145	23.9	\$ 1,309
MM-331483SCS	33	13.19	83	150	26.2	\$ 1,342
MM-361483SCS	36	13.19	83	155	28.4	\$ 1,375
MM-121489SCS	12	13.19	89	130	11.2	\$ 867
MM-151489SCS	15	13.19	89	133	13.6	\$ 956
MM-181489SCS	18	13.19	89	135	16.0	\$ 1,042
MM-211489SCS	21	13.19	89	138	18.4	\$ 1,111
MM-241489SCS	24	13.19	89	140	20.8	\$ 1,181
MM-271489SCS	27	13.19	89	145	23.2	\$ 1,266
MM-301489SCS	30	13.19	89	150	25.6	\$ 1,351
MM-331489SCS	33	13.19	89	155	28.0	\$ 1,413
MM-361489SCS	36	13.19	89	160	30.4	\$ 1,474

**OPTIONS**

Exterior Chassis Finish	Shelf
TFL Woodgrain Laminate	<b>X9</b> None <b>Standard</b>
<i>Quartered</i>	<b>A4S</b> Coat Hooks <b>\$28</b>
<b>QE2 DS2 PC2</b>	<b>B3P</b> Wardrobe Rail (24" wide models only) <b>\$82</b>
<b>EN2 CO2 ST2</b>	<b>R7</b> Hanging Bar (24" deep models only) <b>\$39</b>
<b>NW2</b>	<b>R8</b> Three Adjustable Shelves <b>\$260</b>
<i>Flat Cut</i>	<b>B3N</b> Three Fixed Shelves <b>\$260</b>
<b>LC2 KD2 MH2</b>	
<b>MC2 VM2 LM2</b>	
<b>BU2 BE2 QR2</b>	
<i>Textured Laminate</i>	
<i>(10% upcharge)</i>	
<b>NG2 NH2</b>	
TFL Solid Color Laminate	
<b>BL2 GR2 SG2</b>	
<b>FW2 RW2</b>	

**HOW TO ORDER**

SPECIFY: Exterior chassis finish | shelf. See page 11 for a complete offering of finishes.

**MODEL NUMBER**

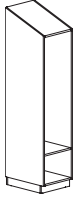
MM-121483SCS

Exterior Chassis Finish	Shelf
NW2	A4S

**STORAGE CABINETS SINGLE (CONT.)**

- Sloped top
- 1 stationary shelf
- 4" recessed toe kick
- Adjustable levelers
- May be installed alone or with multiple cabinets
- In order to complete installation, either cove molding or toe kick rail must be adhered. Order cove molding separately, preferably from a local supplier early in the project. See pages 44 and 45 for toe kick rail offerings.
- All Mile Marker cabinetry is required to be anchored to a wall or floor. Installation hardware is not included with cabinets.

**STORAGE CABINET OPEN SLOPED**



**17.5" DEEP MODELS**

model	w	d	h	wt	cu ft	List
MM-121866SCS	12	17.5	66	115	10.8	\$ 649
MM-151866SCS	15	17.5	66	118	13.1	\$ 690
MM-181866SCS	18	17.5	66	120	15.5	\$ 731
MM-211866SCS	21	17.5	66.5	123	17.8	\$ 802
MM-241866SCS	24	17.5	66	125	20.1	\$ 873
MM-271866SCS	27	17.5	66.5	130	22.4	\$ 1,035
MM-301866SCS	30	17.5	66	145	24.7	\$ 1,196
MM-331866SCS	33	17.5	66.5	140	27.1	\$ 1,297
MM-361866SCS	36	17.5	66	155	29.4	\$ 1,399
MM-121872SCS	12	17.5	72.5	120	11.8	\$ 699
MM-151872SCS	15	17.5	72.5	123	14.3	\$ 742
MM-181872SCS	18	17.5	72.5	125	16.8	\$ 785
MM-211872SCS	21	17.5	72.5	128	19.3	\$ 862
MM-241872SCS	24	17.5	72.5	130	21.9	\$ 940
MM-271872SCS	27	17.5	72.5	135	24.4	\$ 1,112
MM-301872SCS	30	17.5	72.5	150	26.9	\$ 1,285
MM-331872SCS	33	17.5	72.5	145	29.4	\$ 1,396
MM-361872SCS	36	17.5	72.5	160	31.9	\$ 1,505
MM-121878SCS	12	17.5	78.5	125	12.7	\$ 762
MM-151878SCS	15	17.5	78.5	128	15.4	\$ 836
MM-181878SCS	18	17.5	78.5	130	18.2	\$ 908
MM-211878SCS	21	17.5	78.5	133	20.9	\$ 1,008
MM-241878SCS	24	17.5	78.5	135	23.6	\$ 1,107
MM-271878SCS	27	17.5	78.5	140	26.3	\$ 1,253
MM-301878SCS	30	17.5	78.5	155	29.1	\$ 1,398
MM-331878SCS	33	17.5	78.5	150	31.8	\$ 1,471
MM-361878SCS	36	17.5	78.5	165	34.5	\$ 1,545

**OPTIONS**

Exterior Chassis Finish	Shelf
TFL Woodgrain Laminate	<b>X9</b> None <b>Standard</b>
<i>Quartered</i>	<b>A4S</b> Coat Hooks <b>\$28</b>
<b>QE2 DS2 PC2</b>	<b>B3P</b> Wardrobe Rail (24" wide models only) <b>\$82</b>
<b>EN2 CO2 ST2</b>	<b>R7</b> Hanging Bar (24" deep models only) <b>\$39</b>
<b>NW2</b>	<b>R8</b> Three Adjustable Shelves <b>\$260</b>
<i>Flat Cut</i>	<b>B3N</b> Three Fixed Shelves <b>\$260</b>
<b>LC2 KD2 MH2</b>	
<b>MC2 VM2 LM2</b>	
<b>BU2 BE2 QR2</b>	
<i>Textured Laminate</i>	
<i>(10% upcharge)</i>	
<b>NG2 NH2</b>	
TFL Solid Color Laminate	
<b>BL2 GR2 SG2</b>	
<b>FW2 RW2</b>	

**HOW TO ORDER**

SPECIFY: Exterior chassis finish | shelf. See page 11 for a complete offering of finishes.

**MODEL NUMBER**

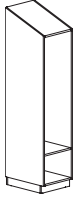
MM-121866SCS

Exterior Chassis Finish	Shelf
NW2	A4S

**STORAGE CABINETS SINGLE (CONT.)**

- Sloped top
  - 1 stationary shelf
  - 4" recessed toe kick
  - Adjustable levelers
  - May be installed alone or with multiple cabinets
- In order to complete installation, either cove molding or toe kick rail must be adhered. Order cove molding separately, preferably from a local supplier early in the project. See pages 44 and 45 for toe kick rail offerings.
- All Mile Marker cabinetry is required to be anchored to a wall or floor. Installation hardware is not included with cabinets.

**STORAGE CABINET OPEN SLOPED**



**17.5" DEEP MODELS**

model	w	d	h	wt	cu ft	List
MM-121884SCS	12	17.5	84.5	130	13.7	\$ 878
MM-151884SCS	15	17.5	84.5	133	16.6	\$ 956
MM-181884SCS	18	17.5	84.5	135	19.5	\$ 1,033
MM-211884SCS	21	17.5	84.5	138	22.5	\$ 1,131
MM-241884SCS	24	17.5	84.5	140	25.4	\$ 1,228
MM-271884SCS	27	17.5	84.5	145	28.3	\$ 1,363
MM-301884SCS	30	17.5	84.5	160	31.2	\$ 1,498
MM-331884SCS	33	17.5	84.5	155	34.2	\$ 1,543
MM-361884SCS	36	17.5	84.5	170	37.1	\$ 1,587
MM-121890SCS	12	17.5	90.5	135	14.6	\$ 988
MM-151890SCS	15	17.5	90.5	138	17.7	\$ 1,074
MM-181890SCS	18	17.5	90.5	140	20.9	\$ 1,161
MM-211890SCS	21	17.5	90.5	143	24.0	\$ 1,294
MM-241890SCS	24	17.5	90.5	145	27.1	\$ 1,426
MM-271890SCS	27	17.5	90.5	150	30.3	\$ 1,480
MM-301890SCS	30	17.5	90.5	165	33.4	\$ 1,533
MM-331890SCS	33	17.5	90.5	160	36.5	\$ 1,590
MM-361890SCS	36	17.5	90.5	175	39.7	\$ 1,647

**OPTIONS**

Exterior Chassis Finish	Shelf
TFL Woodgrain Laminate	<b>X9</b> None <b>Standard</b>
<i>Quartered</i>	<b>A4S</b> Coat Hooks <b>\$28</b>
<b>QE2 DS2 PC2</b>	<b>B3P</b> Wardrobe Rail (24" wide models only) <b>\$82</b>
<b>EN2 CO2 ST2</b>	<b>R7</b> Hanging Bar (24" deep models only) <b>\$39</b>
<b>NW2</b>	<b>R8</b> Three Adjustable Shelves <b>\$260</b>
<i>Flat Cut</i>	<b>B3N</b> Three Fixed Shelves <b>\$260</b>
<b>LC2 KD2 MH2</b>	
<b>MC2 VM2 LM2</b>	
<b>BU2 BE2 QR2</b>	
<i>Textured Laminate</i>	
<i>(10% upcharge)</i>	
<b>NG2 NH2</b>	
TFL Solid Color Laminate	
<b>BL2 GR2 SG2</b>	
<b>FW2 RW2</b>	

**HOW TO ORDER**

SPECIFY: Exterior chassis finish | shelf. See page 11 for a complete offering of finishes.

**MODEL NUMBER**

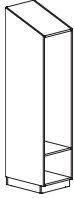
MM-121884SCS

Exterior Chassis Finish	Shelf
NW2	A4S

**STORAGE CABINETS SINGLE (CONT.)**

- Sloped top
- 1 stationary shelf
- 4" recessed toe kick
- Adjustable levelers
- May be installed alone or with multiple cabinets
- In order to complete installation, either cove molding or toe kick rail must be adhered. Order cove molding separately, preferably from a local supplier early in the project. See pages 44 and 45 for toe kick rail offerings.
- All Mile Marker cabinetry is required to be anchored to a wall or floor. Installation hardware is not included with cabinets.

**STORAGE CABINET OPEN SLOPED**



**23.5" DEEP MODELS**

model	w	d	h	wt	cu ft	List
MM-122468SCS	12	23.5	68.5	120	14.6	\$ 732
MM-152468SCS	15	23.5	68.5	123	17.7	\$ 826
MM-182468SCS	18	23.5	68.5	125	20.8	\$ 918
MM-212468SCS	21	23.5	68.5	128	23.9	\$ 1,006
MM-242468SCS	24	23.5	68.5	130	27.0	\$ 1,094
MM-272468SCS	27	23.5	68.5	135	30.2	\$ 1,263
MM-302468SCS	30	23.5	68.5	160	33.3	\$ 1,430
MM-332468SCS	33	23.5	68.5	145	36.4	\$ 1,486
MM-362468SCS	36	23.5	68.5	170	39.5	\$ 1,540
MM-122474SCS	12	23.5	74.5	125	15.8	\$ 786
MM-152474SCS	15	23.5	74.5	128	19.2	\$ 888
MM-182474SCS	18	23.5	74.5	130	22.6	\$ 987
MM-212474SCS	21	23.5	74.5	133	26.0	\$ 1,081
MM-242474SCS	24	23.5	74.5	135	29.4	\$ 1,176
MM-272474SCS	27	23.5	74.5	140	32.7	\$ 1,358
MM-302474SCS	30	23.5	74.5	165	36.1	\$ 1,538
MM-332474SCS	33	23.5	74.5	150	39.5	\$ 1,598
MM-362474SCS	36	23.5	74.5	175	42.9	\$ 1,657
MM-122480SCS	12	23.5	80.5	130	17.0	\$ 896
MM-152480SCS	15	23.5	80.5	133	20.7	\$ 1,004
MM-182480SCS	18	23.5	80.5	135	24.3	\$ 1,111
MM-212480SCS	21	23.5	80.5	138	28.0	\$ 1,232
MM-242480SCS	24	23.5	80.5	140	31.7	\$ 1,352
MM-272480SCS	27	23.5	80.5	145	35.3	\$ 1,465
MM-302480SCS	30	23.5	80.5	170	39.0	\$ 1,578
MM-332480SCS	33	23.5	80.5	155	42.6	\$ 1,660
MM-362480SCS	36	23.5	80.5	180	46.3	\$ 1,730

**OPTIONS**

Exterior Chassis Finish	Shelf
TFL Woodgrain Laminate	<b>X9</b> None <b>Standard</b>
<i>Quartered</i>	<b>A4S</b> Coat Hooks <b>\$28</b>
<b>QE2 DS2 PC2</b>	<b>B3P</b> Wardrobe Rail (24" wide models only) <b>\$82</b>
<b>EN2 CO2 ST2</b>	<b>R7</b> Hanging Bar (24" deep models only) <b>\$39</b>
<b>NW2</b>	<b>R8</b> Three Adjustable Shelves <b>\$260</b>
<i>Flat Cut</i>	<b>B3N</b> Three Fixed Shelves <b>\$260</b>
<b>LC2 KD2 MH2</b>	
<b>MC2 VM2 LM2</b>	
<b>BU2 BE2 QR2</b>	
<i>Textured Laminate</i>	
<i>(10% upcharge)</i>	
<b>NG2 NH2</b>	
TFL Solid Color Laminate	
<b>BL2 GR2 SG2</b>	
<b>FW2 RW2</b>	

**HOW TO ORDER**

SPECIFY: Exterior chassis finish | shelf. See page 11 for a complete offering of finishes.

**MODEL NUMBER**

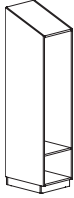
MM-122468SCS

Exterior Chassis Finish	Shelf
NW2	A4S

**STORAGE CABINETS SINGLE (CONT.)**

- Sloped top
- 1 stationary shelf
- 4" recessed toe kick
- Adjustable levelers
- May be installed alone or with multiple cabinets
- In order to complete installation, either cove molding or toe kick rail must be adhered. Order cove molding separately, preferably from a local supplier early in the project. See pages 44 and 45 for toe kick rail offerings.
- All Mile Marker cabinetry is required to be anchored to a wall or floor. Installation hardware is not included with cabinets.

**STORAGE CABINET OPEN SLOPED**



**23.5" DEEP MODELS**

model	w	d	h	wt	cu ft	List
MM-122486SCS	12	23.5	86.5	135	18.3	\$ 1,014
MM-152486SCS	15	23.5	86.5	138	22.2	\$ 1,099
MM-182486SCS	18	23.5	86.5	140	26.1	\$ 1,182
MM-212486SCS	21	23.5	86.5	143	30.0	\$ 1,298
MM-242486SCS	24	23.5	86.5	145	34.0	\$ 1,413
MM-272486SCS	27	23.5	86.5	150	37.9	\$ 1,537
MM-302486SCS	30	23.5	86.5	175	41.8	\$ 1,661
MM-332486SCS	33	23.5	86.5	160	45.7	\$ 1,718
MM-362486SCS	36	23.5	86.5	185	49.6	\$ 1,775
MM-122492SCS	12	23.5	92.5	140	19.5	\$ 1,130
MM-152492SCS	15	23.5	92.5	143	23.7	\$ 1,236
MM-182492SCS	18	23.5	92.5	145	27.9	\$ 1,345
MM-212492SCS	21	23.5	92.5	148	32.1	\$ 1,467
MM-242492SCS	24	23.5	92.5	150	36.3	\$ 1,587
MM-272492SCS	27	23.5	92.5	155	40.4	\$ 1,656
MM-302492SCS	30	23.5	92.5	180	44.6	\$ 1,724
MM-332492SCS	33	23.5	92.5	165	48.8	\$ 1,775
MM-362492SCS	36	23.5	92.5	190	53.0	\$ 1,825

**OPTIONS**

Exterior Chassis Finish	Shelf
TFL Woodgrain Laminate	<b>X9</b> None <b>Standard</b>
<i>Quartered</i>	<b>A4S</b> Coat Hooks <b>\$28</b>
<b>QE2 DS2 PC2</b>	<b>B3P</b> Wardrobe Rail (24" wide models only) <b>\$82</b>
<b>EN2 CO2 ST2</b>	<b>R7</b> Hanging Bar (24" deep models only) <b>\$39</b>
<b>NW2</b>	<b>R8</b> Three Adjustable Shelves <b>\$260</b>
<i>Flat Cut</i>	<b>B3N</b> Three Fixed Shelves <b>\$260</b>
<b>LC2 KD2 MH2</b>	
<b>MC2 VM2 LM2</b>	
<b>BU2 BE2 QR2</b>	
<i>Textured Laminate</i>	
<i>(10% upcharge)</i>	
<b>NG2 NH2</b>	
TFL Solid Color Laminate	
<b>BL2 GR2 SG2</b>	
<b>FW2 RW2</b>	

**HOW TO ORDER**

SPECIFY: Exterior chassis finish | shelf. See page 11 for a complete offering of finishes.

**MODEL NUMBER**

MM-122486SCS

Exterior Chassis Finish	Shelf
NW2	A4S



**STORAGE CABINETS SINGLE**

- Flat top
- 1 door
- 4" recessed toe kick
- Adjustable levelers
- May be installed alone or with multiple cabinets
- In order to complete installation, either cove molding or toe kick rail must be adhered. Order cove molding separately, preferably from a local supplier early in the project. See pages 44 and 45 for toe kick rail offerings.
- All Mile Marker cabinetry is required to be anchored to a wall or floor. Installation hardware is not included with cabinets.

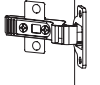




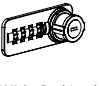



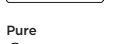

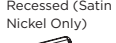

**STORAGE CABINET WITH DOOR**



**14" DEEP MODELS**

model	w	d	h	wt	cu ft	List
MM-121460SCD	12	14	60	115	8.0	\$ 735
MM-151460SCD	15	14	60	118	9.8	\$ 774
MM-181460SCD	18	14	60	120	11.5	\$ 812
MM-211460SCD	21	14	60	123	13.2	\$ 811
MM-241460SCD	24	14	60	125	14.9	\$ 886
MM-121466SCD	12	14	66	120	8.8	\$ 796
MM-151466SCD	15	14	66	123	10.7	\$ 837
MM-181466SCD	18	14	66	125	12.6	\$ 879
MM-211466SCD	21	14	66	128	14.5	\$ 881
MM-241466SCD	24	14	66	130	16.4	\$ 959
MM-121472SCD	12	14	72	125	9.6	\$ 855
MM-151472SCD	15	14	72	128	11.6	\$ 888
MM-181472SCD	18	14	72	130	13.7	\$ 919
MM-211472SCD	21	14	72	133	15.8	\$ 957
MM-241472SCD	24	14	72	135	17.8	\$ 1,072

**OPTIONS**

Exterior Chassis Finish	Door Finish	Door Edge Finish	Hinge Location	Hinge	Interior Options	Lock	Pull	Pull Finish	Power
TFL Woodgrain Laminate <i>Quartered</i> QE2 DS2 PC2 EN2 CO2 ST2 NW2 <i>Flat Cut</i> LC2 KD2 MH2 MC2 VM2 LM2 BU2 BE2 QR2 <i>Textured Laminate (10% upcharge)</i> NG2 NH2  TFL Solid Color Laminate BL2 GR2 SG2 FW2 RW2	TFL Woodgrain Laminate <i>Quartered</i> QE2 DS2 PC2 EN2 CO2 ST2 NW2 <i>Flat Cut</i> LC2 KD2 MH2 MC2 VM2 LM2 BU2 BE2 QR2 <i>Textured Laminate (10% upcharge)</i> NG2 NH2  TFL Solid Color Laminate BL2 GR2 SG2 FW2 RW2	TFL Woodgrain Laminate <i>Quartered</i> QE2 DS2 PC2 EN2 CO2 ST2 NW2 <i>Flat Cut</i> LC2 KD2 MH2 MC2 VM2 LM2 BU2 BE2 QR2 <i>Textured Laminate (10% upcharge)</i> NG2 NH2  TFL Solid Color Laminate BL2 GR2 SG2 FW2 RW2	B3K Left B3L Right	B3G Euro Soft Close Standard  B3J 5 Knuckle  B3H Euro Knuckle \$44 	X9 None Standard A4S Coat Hooks \$28 B3P Wardrobe Rail (24" wide models only) \$82 R7 Hanging Bar (24" deep models only) \$39 R8 Three Adjustable Shelves \$260 B3N Three Fixed Shelves \$260	NL No Lock - Standard LCK1 Requires 1 Lock Core \$77  H5S Assigned User Keyless Lock \$338 H5T Shared User Keyless Lock \$338  KML1 Assigned User Keyless Mechanical Lock \$202 KML2 Shared User Keyless Mechanical Lock \$202  PHL1 Pad Lock Hasp \$87   NOTE: LCK Locks ordered separately on page 5.	AS No Pull Crest  Era  Forte  Pure  Grip  B3D, SNCK Recessed (Satin Nickel Only) 	BWT Bone White CHLK Chalk MSL Luster Grey BKO Onyx SNCK Satin Nickel	X9 None RM Power \$299 H6K Daisy Chainable Power \$363  NOTE: Power feeds and jumpers are purchased separately on page 261.

**HOW TO ORDER**

SPECIFY: Exterior chassis finish | door finish | door edge finish | hinge location | hinge | interior options | lock | pull | pull finish | power. See page 11 for a complete offering of finishes.

**MODEL NUMBER**

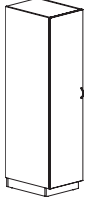
MM-121460SCD

Exterior Chassis Finish	Door Finish	Door Edge Finish	Hinge Location	Hinge	Interior Options	Lock	Pull	Pull Finish	Power
NW2	NW2	NW2	B3K	B3G	R8	LCK1	Crest	MSL	RM

**STORAGE CABINETS SINGLE (CONT.)**

- Flat top
- 1 door
- 4" recessed toe kick
- Adjustable levelers
- May be installed alone or with multiple cabinets
- In order to complete installation, either cove molding or toe kick rail must be adhered. Order cove molding separately, preferably from a local supplier early in the project. See pages 44 and 45 for toe kick rail offerings.
- All Mile Marker cabinetry is required to be anchored to a wall or floor. Installation hardware is not included with cabinets.

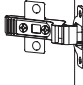

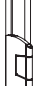


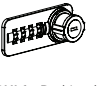



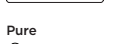

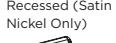


**STORAGE CABINET WITH DOOR**



**14" DEEP MODELS**

model	w	d	h	wt	cu ft	List
MM-121478SCD	12	14	78	130	10.4	\$ 908
MM-151478SCD	15	14	78	133	12.6	\$ 978
MM-181478SCD	18	14	78	135	14.8	\$ 1,049
MM-211478SCD	21	14	78	138	17.0	\$ 1,081
MM-241478SCD	24	14	78	140	19.3	\$ 1,189
MM-121484SCD	12	14	84	135	11.1	\$ 1,027
MM-151484SCD	15	14	84	138	13.5	\$ 1,117
MM-181484SCD	18	14	84	140	15.9	\$ 1,204
MM-211484SCD	21	14	84	143	18.3	\$ 1,234
MM-241484SCD	24	14	84	145	20.7	\$ 1,341

**OPTIONS**

Exterior Chassis Finish	Door Finish	Door Edge Finish	Hinge Location	Hinge	Interior Options	Lock	Pull	Pull Finish	Power
TFL Woodgrain Laminate <i>Quartered</i> QE2 DS2 PC2 EN2 CO2 ST2 NW2 <i>Flat Cut</i> LC2 KD2 MH2 MC2 VM2 LM2 BU2 BE2 QR2 <i>Textured Laminate (10% upcharge)</i> NG2 NH2  TFL Solid Color Laminate BL2 GR2 SG2 FW2 RW2	TFL Woodgrain Laminate <i>Quartered</i> QE2 DS2 PC2 EN2 CO2 ST2 NW2 <i>Flat Cut</i> LC2 KD2 MH2 MC2 VM2 LM2 BU2 BE2 QR2 <i>Textured Laminate (10% upcharge)</i> NG2 NH2  TFL Solid Color Laminate BL2 GR2 SG2 FW2 RW2	TFL Woodgrain Laminate <i>Quartered</i> QE2 DS2 PC2 EN2 CO2 ST2 NW2 <i>Flat Cut</i> LC2 KD2 MH2 MC2 VM2 LM2 BU2 BE2 QR2 <i>Textured Laminate (10% upcharge)</i> NG2 NH2  TFL Solid Color Laminate BL2 GR2 SG2 FW2 RW2	B3K Left B3L Right	B3G Euro Soft Close Standard  B3J 5 Knuckle  B3H Euro Knuckle \$44 	X9 None Standard A4S Coat Hooks \$28 B3P Wardrobe Rail (24" wide models only) \$82 R7 Hanging Bar (24" deep models only) \$39 R8 Three Adjustable Shelves \$260 B3N Three Fixed Shelves \$260	NL No Lock - Standard LCK1 Requires 1 Lock Core \$77  H5S Assigned User Keyless Lock \$338 H5T Shared User Keyless Lock \$338  KML1 Assigned User Keyless Mechanical Lock \$202 KML2 Shared User Keyless Mechanical Lock \$202  PHL1 Pad Lock Hasp \$87   NOTE: LCK Locks ordered separately on page 5.	AS No Pull  Crest  Era  Forte  Pure  Grip  B3D, SNCK Recessed (Satin Nickel Only) 	BWT Bone White CHLK Chalk MSL Luster Grey BKO Onyx SNCK Satin Nickel	X9 None RM Power \$299 H6K Daisy Chainable Power \$363  NOTE: Power feeds and jumpers are purchased separately on page 261.

**HOW TO ORDER**

SPECIFY: Exterior chassis finish | door finish | door edge finish | hinge location | hinge | interior options | lock | pull | pull finish | power. See page 11 for a complete offering of finishes.

**MODEL NUMBER**

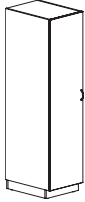
MM-121460SCD

Exterior Chassis Finish	Door Finish	Door Edge Finish	Hinge Location	Hinge	Interior Options	Lock	Pull	Pull Finish	Power
NW2	NW2	NW2	B3K	B3G	R8	LCK1	Crest	MSL	RM

**STORAGE CABINETS SINGLE (CONT.)**

- Flat top
- 1 door
- 4" recessed toe kick
- Adjustable levelers
- May be installed alone or with multiple cabinets
- In order to complete installation, either cove molding or toe kick rail must be adhered. Order cove molding separately, preferably from a local supplier early in the project. See pages 44 and 45 for toe kick rail offerings.
- All Mile Marker cabinetry is required to be anchored to a wall or floor. Installation hardware is not included with cabinets.

**STORAGE CABINET WITH DOOR**



**18.25" DEEP MODELS**

model	w	d	h	wt	cu ft	List
MM-121860SCD	12	18.25	60	120	10.2	\$ 794
MM-151860SCD	15	18.25	60	123	12.4	\$ 833
MM-181860SCD	18	18.25	60	125	14.5	\$ 873
MM-211860SCD	21	18.25	60	128	16.7	\$ 907
MM-241860SCD	24	18.25	60	130	18.9	\$ 1,016
MM-121866SCD	12	18.25	66	125	11.2	\$ 859
MM-151866SCD	15	18.25	66	128	13.5	\$ 903
MM-181866SCD	18	18.25	66	130	15.9	\$ 945
MM-211866SCD	21	18.25	66	133	18.3	\$ 985
MM-241866SCD	24	18.25	66	135	20.7	\$ 1,101
MM-121872SCD	12	18.25	72	130	12.1	\$ 923
MM-151872SCD	15	18.25	72	133	14.7	\$ 996
MM-181872SCD	18	18.25	72	135	17.3	\$ 1,069
MM-211872SCD	21	18.25	72	138	19.9	\$ 1,130
MM-241872SCD	24	18.25	72	140	22.5	\$ 1,268

**OPTIONS**

Exterior Chassis Finish	Door Finish	Door Edge Finish	Hinge Location	Hinge	Interior Options	Lock	Pull	Pull Finish	Power
TFL Woodgrain Laminate <i>Quartered</i> QE2 DS2 PC2 EN2 CO2 ST2 NW2 <i>Flat Cut</i> LC2 KD2 MH2 MC2 VM2 LM2 BU2 BE2 QR2 <i>Textured Laminate (10% upcharge)</i> NG2 NH2 TFL Solid Color Laminate BL2 GR2 SG2 FW2 RW2	TFL Woodgrain Laminate <i>Quartered</i> QE2 DS2 PC2 EN2 CO2 ST2 NW2 <i>Flat Cut</i> LC2 KD2 MH2 MC2 VM2 LM2 BU2 BE2 QR2 <i>Textured Laminate (10% upcharge)</i> NG2 NH2 TFL Solid Color Laminate BL2 GR2 SG2 FW2 RW2	TFL Woodgrain Laminate <i>Quartered</i> QE2 DS2 PC2 EN2 CO2 ST2 NW2 <i>Flat Cut</i> LC2 KD2 MH2 MC2 VM2 LM2 BU2 BE2 QR2 <i>Textured Laminate (10% upcharge)</i> NG2 NH2 TFL Solid Color Laminate BL2 GR2 SG2 FW2 RW2	B3K Left B3L Right	B3G Euro Soft Close Standard  B3J 5 Knuckle  B3H Euro Knuckle \$44 	X9 None Standard A4S Coat Hooks \$28 B3P Wardrobe Rail (24" wide models only) \$82 R7 Hanging Bar (24" deep models only) \$39 R8 Three Adjustable Shelves \$260 B3N Three Fixed Shelves \$260	NL No Lock - Standard LCK1 Requires 1 Lock Core \$77  H5S Assigned User Keyless Lock \$338 H5T Shared User Keyless Lock \$338  KML1 Assigned User Keyless Mechanical Lock \$202 KML2 Shared User Keyless Mechanical Lock \$202  PHL1 Pad Lock Hasp \$87  NOTE: LCK Locks ordered separately on page 5.	AS No Pull Crest  Era  Forte  Pure  Grip  B3D, SNCK Recessed (Satin Nickel Only) 	BWT Bone White CHLK Chalk Luster Grey MSL Luster Grey BKO Onyx SNCK Satin Nickel	X9 None RM Power \$299 H6K Daisy Chainable Power \$363  NOTE: Power feeds and jumpers are purchased separately on page 261.

**HOW TO ORDER**

SPECIFY: Exterior chassis finish | door finish | door edge finish | hinge location | hinge | interior options | lock | pull | pull finish | power. See page 11 for a complete offering of finishes.

**MODEL NUMBER**

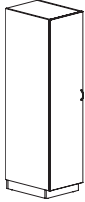
MM-121860SCD

Exterior Chassis Finish	Door Finish	Door Edge Finish	Hinge Location	Hinge	Interior Options	Lock	Pull	Pull Finish	Power
NW2	NW2	NW2	B3K	B3G	R8	LCK1	Crest	MSL	RM

**STORAGE CABINETS SINGLE (CONT.)**

- Flat top
- 1 door
- 4" recessed toe kick
- Adjustable levelers
- May be installed alone or with multiple cabinets
- In order to complete installation, either cove molding or toe kick rail must be adhered. Order cove molding separately, preferably from a local supplier early in the project. See pages 44 and 45 for toe kick rail offerings.
- All Mile Marker cabinetry is required to be anchored to a wall or floor. Installation hardware is not included with cabinets.

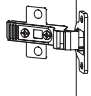
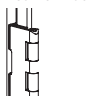

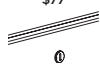
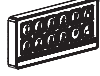
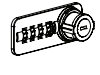





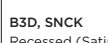

**STORAGE CABINET WITH DOOR**



**18.25" DEEP MODELS**

model	w	d	h	wt	cu ft	List
MM-121878SCD	12	18.25	78	135	13.1	\$ 1,039
MM-151878SCD	15	18.25	78	138	15.9	\$ 1,117
MM-181878SCD	18	18.25	78	140	18.8	\$ 1,193
MM-211878SCD	21	18.25	78	143	21.6	\$ 1,252
MM-241878SCD	24	18.25	78	145	24.4	\$ 1,388
MM-121884SCD	12	18.25	84	140	14.1	\$ 1,152
MM-151884SCD	15	18.25	84	143	17.1	\$ 1,236
MM-181884SCD	18	18.25	84	145	20.2	\$ 1,322
MM-211884SCD	21	18.25	84	148	23.2	\$ 1,419
MM-241884SCD	24	18.25	84	150	26.2	\$ 1,592

**OPTIONS**

Exterior Chassis Finish	Door Finish	Door Edge Finish	Hinge Location	Hinge	Interior Options	Lock	Pull	Pull Finish	Power
TFL Woodgrain Laminate <i>Quartered</i> QE2 DS2 PC2 EN2 CO2 ST2 NW2 <i>Flat Cut</i> LC2 KD2 MH2 MC2 VM2 LM2 BU2 BE2 QR2 <i>Textured Laminate (10% upcharge)</i> NG2 NH2 TFL Solid Color Laminate BL2 GR2 SG2 FW2 RW2	TFL Woodgrain Laminate <i>Quartered</i> QE2 DS2 PC2 EN2 CO2 ST2 NW2 <i>Flat Cut</i> LC2 KD2 MH2 MC2 VM2 LM2 BU2 BE2 QR2 <i>Textured Laminate (10% upcharge)</i> NG2 NH2 TFL Solid Color Laminate BL2 GR2 SG2 FW2 RW2	TFL Woodgrain Laminate <i>Quartered</i> QE2 DS2 PC2 EN2 CO2 ST2 NW2 <i>Flat Cut</i> LC2 KD2 MH2 MC2 VM2 LM2 BU2 BE2 QR2 <i>Textured Laminate (10% upcharge)</i> NG2 NH2 TFL Solid Color Laminate BL2 GR2 SG2 FW2 RW2	B3K Left B3L Right	B3G Euro Soft Close Standard  B3J 5 Knuckle  B3H Euro Knuckle \$44 	X9 None Standard A4S Coat Hooks \$28 B3P Wardrobe Rail (24" wide models only) \$82 R7 Hanging Bar (24" deep models only) \$39 R8 Three Adjustable Shelves \$260 B3N Three Fixed Shelves \$260	NL No Lock - Standard LCK1 Requires 1 Lock Core \$77  H5S Assigned User Keyless Lock \$338 H5T Shared User Keyless Lock \$338  KML1 Assigned User Keyless Mechanical Lock \$202 KML2 Shared User Keyless Mechanical Lock \$202  PHL1 Pad Lock Hasp \$87  <b>NOTE:</b> LCK Locks ordered separately on page 5.	AS No Pull Crest  Era  Forte  Pure  Grip  B3D, SNCK Recessed (Satin Nickel Only) 	BWT Bone White CHLK Chalk Luster Grey MSL Luster Grey BKO Onyx SNCK Satin Nickel	X9 None RM Power \$299 H6K Daisy Chainable Power \$363  <b>NOTE:</b> Power feeds and jumpers are purchased separately on page 261.

**HOW TO ORDER**

SPECIFY: Exterior chassis finish | door finish | door edge finish | hinge location | hinge | interior options | lock | pull | pull finish | power. See page 11 for a complete offering of finishes.

**MODEL NUMBER**

MM-121860SCD

Exterior Chassis Finish	Door Finish	Door Edge Finish	Hinge Location	Hinge	Interior Options	Lock	Pull	Pull Finish	Power
NW2	NW2	NW2	B3K	B3G	R8	LCK1	Crest	MSL	RM

**STORAGE CABINETS SINGLE (CONT.)**

- Flat top
- 1 door
- 4" recessed toe kick
- Adjustable levelers
- May be installed alone or with multiple cabinets
- In order to complete installation, either cove molding or toe kick rail must be adhered. Order cove molding separately, preferably from a local supplier early in the project. See pages 44 and 45 for toe kick rail offerings.
- All Mile Marker cabinetry is required to be anchored to a wall or floor. Installation hardware is not included with cabinets.

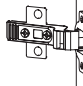
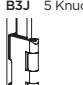

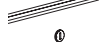



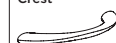
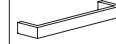


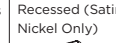
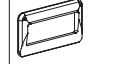
**STORAGE CABINET WITH DOOR**



**24.25" DEEP MODELS**

model	w	d	h	wt	cu ft	List
MM-122460SCD	12	24.25	60	125	13.2	\$ 876
MM-152460SCD	15	24.25	60	128	16.0	\$ 968
MM-182460SCD	18	24.25	60	130	18.8	\$ 1,058
MM-212460SCD	21	24.25	60	133	21.7	\$ 1,107
MM-242460SCD	24	24.25	60	135	24.5	\$ 1,232
MM-122466SCD	12	24.25	66	130	14.5	\$ 947
MM-152466SCD	15	24.25	66	133	17.6	\$ 1,049
MM-182466SCD	18	24.25	66	135	20.7	\$ 1,148
MM-212466SCD	21	24.25	66	138	23.8	\$ 1,204
MM-242466SCD	24	24.25	66	140	26.9	\$ 1,336
MM-122472SCD	12	24.25	72	135	15.7	\$ 1,056
MM-152472SCD	15	24.25	72	138	19.1	\$ 1,166
MM-182472SCD	18	24.25	72	140	22.5	\$ 1,271
MM-212472SCD	21	24.25	72	143	25.9	\$ 1,355
MM-242472SCD	24	24.25	72	145	29.2	\$ 1,516

**OPTIONS**

Exterior Chassis Finish	Door Finish	Door Edge Finish	Hinge Location	Hinge	Interior Options	Lock	Pull	Pull Finish	Power
TFL Woodgrain Laminate <i>Quartered</i> QE2 DS2 PC2 EN2 CO2 ST2 NW2 <i>Flat Cut</i> LC2 KD2 MH2 MC2 VM2 LM2 BU2 BE2 QR2 <i>Textured Laminate (10% upcharge)</i> NG2 NH2 TFL Solid Color Laminate BL2 GR2 SG2 FW2 RW2	TFL Woodgrain Laminate <i>Quartered</i> QE2 DS2 PC2 EN2 CO2 ST2 NW2 <i>Flat Cut</i> LC2 KD2 MH2 MC2 VM2 LM2 BU2 BE2 QR2 <i>Textured Laminate (10% upcharge)</i> NG2 NH2 TFL Solid Color Laminate BL2 GR2 SG2 FW2 RW2	TFL Woodgrain Laminate <i>Quartered</i> QE2 DS2 PC2 EN2 CO2 ST2 NW2 <i>Flat Cut</i> LC2 KD2 MH2 MC2 VM2 LM2 BU2 BE2 QR2 <i>Textured Laminate (10% upcharge)</i> NG2 NH2 TFL Solid Color Laminate BL2 GR2 SG2 FW2 RW2	B3K Left B3L Right	B3G Euro Soft Close Standard  B3J 5 Knuckle  B3H Euro Knuckle \$44 	X9 None Standard A4S Coat Hooks \$28 B3P Wardrobe Rail (24" wide models only) \$82 R7 Hanging Bar (24" deep models only) \$39 R8 Three Adjustable Shelves \$260 B3N Three Fixed Shelves \$260	NL No Lock - Standard LCK1 Requires 1 Lock Core \$77  H5S Assigned User Keyless Lock \$338 H5T Shared User Keyless Lock \$338  KML1 Assigned User Keyless Mechanical Lock \$202 KML2 Shared User Keyless Mechanical Lock \$202  PHL1 Pad Lock Hasp \$87  <b>NOTE:</b> LCK Locks ordered separately on page 5.	AS No Pull Crest  Era  Forte  Pure  Grip  B3D, SNCK Recessed (Satin Nickel Only) 	BWT Bone White CHLK Chalk MSL Luster Grey BKO Onyx SNCK Satin Nickel	X9 None RM Power \$299 H6K Daisy Chainable Power \$363  <b>NOTE:</b> Power feeds and jumpers are purchased separately on page 261.

**HOW TO ORDER**

SPECIFY: Exterior chassis finish | door finish | door edge finish | hinge location | hinge | interior options | lock | pull | pull finish | power. See page 11 for a complete offering of finishes.

**MODEL NUMBER**

MM-122460SCD

Exterior Chassis Finish	Door Finish	Door Edge Finish	Hinge Location	Hinge	Interior Options	Lock	Pull	Pull Finish	Power
NW2	NW2	NW2	B3K	B3G	R8	LCK1	Crest	MSL	RM

**STORAGE CABINETS SINGLE (CONT.)**

- Flat top
- 1 door
- 4" recessed toe kick
- Adjustable levelers
- May be installed alone or with multiple cabinets
- In order to complete installation, either cove molding or toe kick rail must be adhered. Order cove molding separately, preferably from a local supplier early in the project. See pages 44 and 45 for toe kick rail offerings.
- All Mile Marker cabinetry is required to be anchored to a wall or floor. Installation hardware is not included with cabinets.

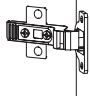
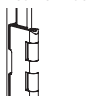


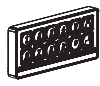
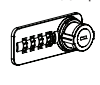

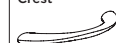
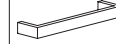


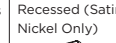

**STORAGE CABINET WITH DOOR**



**24.25" DEEP MODELS**

model	w	d	h	wt	cu ft	List
MM-122478SCD	12	24.25	78	140	17.0	\$ 1,174
MM-152478SCD	15	24.25	78	143	20.7	\$ 1,261
MM-182478SCD	18	24.25	78	145	24.3	\$ 1,348
MM-212478SCD	21	24.25	78	148	28.0	\$ 1,423
MM-242478SCD	24	24.25	78	150	31.6	\$ 1,575
MM-122484SCD	12	24.25	84	145	18.3	\$ 1,290
MM-152484SCD	15	24.25	84	148	22.2	\$ 1,397
MM-182484SCD	18	24.25	84	150	26.1	\$ 1,505
MM-212484SCD	21	24.25	84	153	30.0	\$ 1,589
MM-242484SCD	24	24.25	84	155	34.0	\$ 1,750

**OPTIONS**

Exterior Chassis Finish	Door Finish	Door Edge Finish	Hinge Location	Hinge	Interior Options	Lock	Pull	Pull Finish	Power
TFL Woodgrain Laminate <i>Quartered</i> QE2 DS2 PC2 EN2 CO2 ST2 NW2 <i>Flat Cut</i> LC2 KD2 MH2 MC2 VM2 LM2 BU2 BE2 QR2 <i>Textured Laminate (10% upcharge)</i> NG2 NH2 TFL Solid Color Laminate BL2 GR2 SG2 FW2 RW2	TFL Woodgrain Laminate <i>Quartered</i> QE2 DS2 PC2 EN2 CO2 ST2 NW2 <i>Flat Cut</i> LC2 KD2 MH2 MC2 VM2 LM2 BU2 BE2 QR2 <i>Textured Laminate (10% upcharge)</i> NG2 NH2 TFL Solid Color Laminate BL2 GR2 SG2 FW2 RW2	TFL Woodgrain Laminate <i>Quartered</i> QE2 DS2 PC2 EN2 CO2 ST2 NW2 <i>Flat Cut</i> LC2 KD2 MH2 MC2 VM2 LM2 BU2 BE2 QR2 <i>Textured Laminate (10% upcharge)</i> NG2 NH2 TFL Solid Color Laminate BL2 GR2 SG2 FW2 RW2	B3K Left B3L Right	B3G Euro Soft Close Standard  B3J 5 Knuckle  B3H Euro Knuckle \$44 	X9 None Standard A4S Coat Hooks \$28 B3P Wardrobe Rail (24" wide models only) \$82 R7 Hanging Bar (24" deep models only) \$39 R8 Three Adjustable Shelves \$260 B3N Three Fixed Shelves \$260	NL No Lock - Standard LCK1 Requires 1 Lock Core \$77  H5S Assigned User Keyless Lock \$338 H5T Shared User Keyless Lock \$338  KML1 Assigned User Keyless Mechanical Lock \$202 KML2 Shared User Keyless Mechanical Lock \$202  PHL1 Pad Lock Hasp \$87  <b>NOTE:</b> LCK Locks ordered separately on page 5.	AS No Pull Crest  Era  Forte  Pure  Grip  B3D, SNCK Recessed (Satin Nickel Only) 	BWT Bone White CHLK Chalk MSL Luster Grey BKO Onyx SNCK Satin Nickel	X9 None RM Power \$299 H6K Daisy Chainable Power \$363  <b>NOTE:</b> Power feeds and jumpers are purchased separately on page 261.

**HOW TO ORDER**

SPECIFY: Exterior chassis finish | door finish | door edge finish | hinge location | hinge | interior options | lock | pull | pull finish | power. See page 11 for a complete offering of finishes.

**MODEL NUMBER**

MM-122460SCD

Exterior Chassis Finish	Door Finish	Door Edge Finish	Hinge Location	Hinge	Interior Options	Lock	Pull	Pull Finish	Power
NW2	NW2	NW2	B3K	B3G	R8	LCK1	Crest	MSL	RM

**STORAGE CABINETS SINGLE**

- Sloped top
- 1 full hinged door
- 1 stationary shelf
- 4" recessed toe kick
- Adjustable levelers
- May be installed alone or with multiple cabinets
- In order to complete installation, either cove molding or toe kick rail must be adhered. Order cove molding separately, preferably from a local supplier early in the project. See pages 44 and 45 for toe kick rail offerings.
- All Mile Marker cabinetry is required to be anchored to a wall or floor. Installation hardware is not included with cabinets.

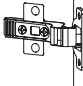
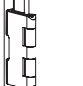


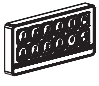




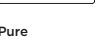

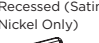

**STORAGE CABINET WITH DOOR SLOPED**



**14" DEEP MODELS**

model	w	d	h	wt	cu ft	List
MM-121465SCDS	12	14	65	115	8.7	\$ 789
MM-151465SCDS	15	14	65	1118	10.5	\$ 826
MM-181465SCDS	18	14	65	120	12.4	\$ 865
MM-211465SCDS	21	14	65	123	14.3	\$ 884
MM-241465SCDS	24	14	65	125	16.1	\$ 941
MM-121471SCDS	12	14	71	120	9.5	\$ 837
MM-151471SCDS	15	14	71	123	11.5	\$ 879
MM-181471SCDS	18	14	71	125	13.5	\$ 920
MM-211471SCDS	21	14	71	128	15.5	\$ 942
MM-241471SCDS	24	14	71	130	17.6	\$ 1,000
MM-121477SCDS	12	14	77	125	10.2	\$ 889
MM-151477SCDS	15	14	77	128	12.4	\$ 924
MM-181477SCDS	18	14	77	130	14.6	\$ 960
MM-211477SCDS	21	14	77	133	16.8	\$ 1,018
MM-241477SCDS	24	14	77	135	19.0	\$ 1,115

**OPTIONS**

Exterior Chassis Finish	Door Finish	Door Edge Finish	Hinge Location	Hinge	Interior Options	Lock	Pull	Pull Finish	Power
TFL Woodgrain Laminate <i>Quartered</i> QE2 DS2 PC2 EN2 CO2 ST2 NW2 <i>Flat Cut</i> LC2 KD2 MH2 MC2 VM2 LM2 BU2 BE2 QR2 <i>Textured Laminate (10% upcharge)</i> NG2 NH2 TFL Solid Color Laminate BL2 GR2 SG2 FW2 RW2	TFL Woodgrain Laminate <i>Quartered</i> QE2 DS2 PC2 EN2 CO2 ST2 NW2 <i>Flat Cut</i> LC2 KD2 MH2 MC2 VM2 LM2 BU2 BE2 QR2 <i>Textured Laminate (10% upcharge)</i> NG2 NH2 TFL Solid Color Laminate BL2 GR2 SG2 FW2 RW2	TFL Woodgrain Laminate <i>Quartered</i> QE2 DS2 PC2 EN2 CO2 ST2 NW2 <i>Flat Cut</i> LC2 KD2 MH2 MC2 VM2 LM2 BU2 BE2 QR2 <i>Textured Laminate (10% upcharge)</i> NG2 NH2 TFL Solid Color Laminate BL2 GR2 SG2 FW2 RW2	B3K Left B3L Right	B3G Euro Soft Close Standard  B3J 5 Knuckle  B3H Euro Knuckle \$44 	X9 None Standard A4S Coat Hooks \$28 B3P Wardrobe Rail (24" wide models only) \$82 R7 Hanging Bar (24" deep models only) \$39 R8 Three Adjustable Shelves \$260 B3N Three Fixed Shelves \$260	NL No Lock - Standard LCK1 Requires 1 Lock Core \$77  H5S Assigned User Keyless Lock \$338 H5T Shared User Keyless Lock \$338  KML1 Assigned User Keyless Mechanical Lock \$202 KML2 Shared User Keyless Mechanical Lock \$202  PHL1 Pad Lock Hasp \$87  NOTE: LCK Locks ordered separately on page 5.	AS No Pull  Crest Era  Forte  Pure  Grip  B3D, SNCK Recessed (Satin Nickel Only) 	BWT Bone White CHLK Chalk MSL Luster Grey BKO Onyx SNCK Satin Nickel	X9 None RM Power \$299 H6K Daisy Chainable Power \$363  NOTE: Power feeds and jumpers are purchased separately on page 261.

**HOW TO ORDER**

SPECIFY: Exterior chassis finish | door finish | door edge finish | hinge location | hinge | interior options | lock | pull | pull finish | power. See page 11 for a complete offering of finishes.

**MODEL NUMBER**

MM-121465SCDS

Exterior Chassis Finish	Door Finish	Door Edge Finish	Hinge Location	Hinge	Interior Options	Lock	Pull	Pull Finish	Power
NW2	NW2	NW2	B3K	B3G	R8	LCK1	Crest	MSL	RM

**STORAGE CABINETS SINGLE**

- Sloped top
- 1 full hinged door
- 1 stationary shelf
- 4" recessed toe kick
- Adjustable levelers
- May be installed alone or with multiple cabinets
- In order to complete installation, either cove molding or toe kick rail must be adhered. Order cove molding separately, preferably from a local supplier early in the project. See pages 44 and 45 for toe kick rail offerings.
- All Mile Marker cabinetry is required to be anchored to a wall or floor. Installation hardware is not included with cabinets.

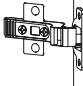
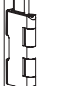

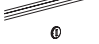
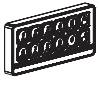
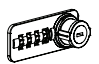



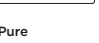

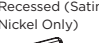


**STORAGE CABINET WITH DOOR SLOPED**



**14" DEEP MODELS**

model	w	d	h	wt	cu ft	List
MM-121483SCDS	12	14	83	130	11.0	\$ 950
MM-151483SCDS	15	14	83	133	13.4	\$ 1,018
MM-181483SCDS	18	14	83	135	15.7	\$ 1,085
MM-211483SCDS	21	14	83	138	18.1	\$ 1,137
MM-241483SCDS	24	14	83	140	20.5	\$ 1,228
MM-121489SCDS	12	14	89	135	11.8	\$ 1,071
MM-151489SCDS	15	14	89	138	14.3	\$ 1,157
MM-181489SCDS	18	14	89	140	16.9	\$ 1,244
MM-211489SCDS	21	14	89	143	19.4	\$ 1,424
MM-241489SCDS	24	14	89	145	21.9	\$ 1,376

**OPTIONS**

Exterior Chassis Finish	Door Finish	Door Edge Finish	Hinge Location	Hinge	Interior Options	Lock	Pull	Pull Finish	Power
TFL Woodgrain Laminate <i>Quartered</i> QE2 DS2 PC2 EN2 CO2 ST2 NW2 <i>Flat Cut</i> LC2 KD2 MH2 MC2 VM2 LM2 BU2 BE2 QR2 <i>Textured Laminate (10% upcharge)</i> NG2 NH2 TFL Solid Color Laminate BL2 GR2 SG2 FW2 RW2	TFL Woodgrain Laminate <i>Quartered</i> QE2 DS2 PC2 EN2 CO2 ST2 NW2 <i>Flat Cut</i> LC2 KD2 MH2 MC2 VM2 LM2 BU2 BE2 QR2 <i>Textured Laminate (10% upcharge)</i> NG2 NH2 TFL Solid Color Laminate BL2 GR2 SG2 FW2 RW2	TFL Woodgrain Laminate <i>Quartered</i> QE2 DS2 PC2 EN2 CO2 ST2 NW2 <i>Flat Cut</i> LC2 KD2 MH2 MC2 VM2 LM2 BU2 BE2 QR2 <i>Textured Laminate (10% upcharge)</i> NG2 NH2 TFL Solid Color Laminate BL2 GR2 SG2 FW2 RW2	B3K Left B3L Right	B3G Euro Soft Close Standard  B3J 5 Knuckle  B3H Euro Knuckle \$44 	X9 None Standard A4S Coat Hooks \$28 B3P Wardrobe Rail (24" wide models only) \$82 R7 Hanging Bar (24" deep models only) \$39 R8 Three Adjustable Shelves \$260 B3N Three Fixed Shelves \$260	NL No Lock - Standard LCK1 Requires 1 Lock Core \$77  H5S Assigned User Keyless Lock \$338 H5T Shared User Keyless Lock \$338  KML1 Assigned User Keyless Mechanical Lock \$202 KML2 Shared User Keyless Mechanical Lock \$202  PHL1 Pad Lock Hasp \$87  <b>NOTE:</b> LCK Locks ordered separately on page 5.	AS No Pull  Crest  Era  Forte  Pure  Grip  B3D, SNCK Recessed (Satin Nickel Only) 	BWT Bone White CHLK Chalk MSL Luster Grey BKO Onyx SNCK Satin Nickel	X9 None RM Power \$299 H6K Daisy Chainable Power \$363  <b>NOTE:</b> Power feeds and jumpers are purchased separately on page 261.

**HOW TO ORDER**

SPECIFY: Exterior chassis finish | door finish | door edge finish | hinge location | hinge | interior options | lock | pull | pull finish | power. See page 11 for a complete offering of finishes.

**MODEL NUMBER**

MM-121465SCDS

Exterior Chassis Finish	Door Finish	Door Edge Finish	Hinge Location	Hinge	Interior Options	Lock	Pull	Pull Finish	Power
NW2	NW2	NW2	B3K	B3G	R8	LCK1	Crest	MSL	RM



**STORAGE CABINETS SINGLE (CONT.)**

- Sloped top
- 1 full hinged door
- 1 stationary shelf
- 4" recessed toe kick
- Adjustable levelers
- May be installed alone or with multiple cabinets
- In order to complete installation, either cove molding or toe kick rail must be adhered. Order cove molding separately, preferably from a local supplier early in the project. See pages 44 and 45 for toe kick rail offerings.
- All Mile Marker cabinetry is required to be anchored to a wall or floor. Installation hardware is not included with cabinets.

**STORAGE CABINET WITH DOOR SLOPED**



**18.25" DEEP MODELS**

model	w	d	h	wt	cu ft	List
MM-121866SCDS	12	18.25	66.5	120	11.2	\$ 848
MM-151866SCDS	15	18.25	66.5	123	13.6	\$ 891
MM-181866SCDS	18	18.25	66.5	125	16.1	\$ 934
MM-211866SCDS	21	18.25	66.5	128	18.5	\$ 986
MM-241866SCDS	24	18.25	66.5	130	20.9	\$ 1,075
MM-121872SCDS	12	18.25	72.5	125	12.2	\$ 901
MM-151872SCDS	15	18.25	72.5	128	14.8	\$ 948
MM-181872SCDS	18	18.25	72.5	130	17.5	\$ 992
MM-211872SCDS	21	18.25	72.5	133	20.1	\$ 1,048
MM-241872SCDS	24	18.25	72.5	135	22.7	\$ 1,142
MM-121878SCDS	12	18.25	78.5	130	13.2	\$ 965
MM-151878SCDS	15	18.25	78.5	133	16.0	\$ 1,039
MM-181878SCDS	18	18.25	78.5	135	18.9	\$ 1,111
MM-211878SCDS	21	18.25	78.5	138	21.7	\$ 1,192
MM-241878SCDS	24	18.25	78.5	140	24.5	\$ 1,311

**OPTIONS**

Exterior Chassis Finish	Door Finish	Door Edge Finish	Hinge Location	Hinge	Interior Options	Lock	Pull	Pull Finish	Power
TFL Woodgrain Laminate <i>Quartered</i> QE2 DS2 PC2 EN2 CO2 ST2 NW2 <i>Flat Cut</i> LC2 KD2 MH2 MC2 VM2 LM2 BU2 BE2 QR2 <i>Textured Laminate (10% upcharge)</i> NG2 NH2  TFL Solid Color Laminate BL2 GR2 SG2 FW2 RW2	TFL Woodgrain Laminate <i>Quartered</i> QE2 DS2 PC2 EN2 CO2 ST2 NW2 <i>Flat Cut</i> LC2 KD2 MH2 MC2 VM2 LM2 BU2 BE2 QR2 <i>Textured Laminate (10% upcharge)</i> NG2 NH2  TFL Solid Color Laminate BL2 GR2 SG2 FW2 RW2	TFL Woodgrain Laminate <i>Quartered</i> QE2 DS2 PC2 EN2 CO2 ST2 NW2 <i>Flat Cut</i> LC2 KD2 MH2 MC2 VM2 LM2 BU2 BE2 QR2 <i>Textured Laminate (10% upcharge)</i> NG2 NH2  TFL Solid Color Laminate BL2 GR2 SG2 FW2 RW2	B3K Left B3L Right	B3G Euro Soft Close Standard  B3J 5 Knuckle  B3H Euro Knuckle \$44 	X9 None Standard A4S Coat Hooks \$28 B3P Wardrobe Rail (24" wide models only) \$82 R7 Hanging Bar (24" deep models only) \$39 R8 Three Adjustable Shelves \$260 B3N Three Fixed Shelves \$260	NL No Lock - Standard LCK1 Requires 1 Lock Core \$77  H5S Assigned User Keyless Lock \$338 H5T Shared User Keyless Lock \$338  KML1 Assigned User Keyless Mechanical Lock \$202 KML2 Shared User Keyless Mechanical Lock \$202  PHL1 Pad Lock Hasp \$87   NOTE: LCK Locks ordered separately on page 5.	AS No Pull Crest  Era  Forte  Pure  Grip  B3D, SNCK Recessed (Satin Nickel Only) 	BWT Bone White CHLK Chalk MSL Luster Grey BKO Onyx SNCK Satin Nickel	X9 None RM Power \$299 H6K Daisy Chainable Power \$363  NOTE: Power feeds and jumpers are purchased separately on page 261.

**HOW TO ORDER**  
SPECIFY: Exterior chassis finish | door finish | door edge finish | hinge location | hinge | interior options | lock | pull | pull finish | power. See page 11 for a complete offering of finishes.

**MODEL NUMBER**

MM-121866SCDS

Exterior Chassis Finish	Door Finish	Door Edge Finish	Hinge Location	Hinge	Interior Options	Lock	Pull	Pull Finish	Power
NW2	NW2	NW2	B3K	B3G	R8	LCK1	Crest	MSL	RM

**STORAGE CABINETS SINGLE (CONT.)**

- Sloped top
- 1 full hinged door
- 1 stationary shelf
- 4" recessed toe kick
- Adjustable levelers
- May be installed alone or with multiple cabinets
- In order to complete installation, either cove molding or toe kick rail must be adhered. Order cove molding separately, preferably from a local supplier early in the project. See pages 44 and 45 for toe kick rail offerings.
- All Mile Marker cabinetry is required to be anchored to a wall or floor. Installation hardware is not included with cabinets.

**STORAGE CABINET WITH DOOR SLOPED**



**18.25" DEEP MODELS**

model	w	d	h	wt	cu ft	List
MM-121884SCDS	12	18.25	84.5	135	14.2	\$ 1,080
MM-151884SCDS	15	18.25	84.5	138	17.2	\$ 1,155
MM-181884SCDS	18	18.25	84.5	140	20.3	\$ 1,231
MM-211884SCDS	21	18.25	84.5	143	23.3	\$ 1,311
MM-241884SCDS	24	18.25	84.5	145	26.4	\$ 1,430
MM-121890SCDS	12	18.25	90.5	140	15.2	\$ 1,196
MM-151890SCDS	15	18.25	90.5	143	18.4	\$ 1,279
MM-181890SCDS	18	18.25	90.5	145	21.7	\$ 1,363
MM-211890SCDS	21	18.25	90.5	148	24.9	\$ 1,480
MM-241890SCDS	24	18.25	90.5	150	28.2	\$ 1,634

**OPTIONS**

Exterior Chassis Finish	Door Finish	Door Edge Finish	Hinge Location	Hinge	Interior Options	Lock	Pull	Pull Finish	Power
TFL Woodgrain Laminate <i>Quartered</i> QE2 DS2 PC2 EN2 CO2 ST2 NW2 <i>Flat Cut</i> LC2 KD2 MH2 MC2 VM2 LM2 BU2 BE2 QR2 <i>Textured Laminate (10% upcharge)</i> NG2 NH2	TFL Woodgrain Laminate <i>Quartered</i> QE2 DS2 PC2 EN2 CO2 ST2 NW2 <i>Flat Cut</i> LC2 KD2 MH2 MC2 VM2 LM2 BU2 BE2 QR2 <i>Textured Laminate (10% upcharge)</i> NG2 NH2	TFL Woodgrain Laminate <i>Quartered</i> QE2 DS2 PC2 EN2 CO2 ST2 NW2 <i>Flat Cut</i> LC2 KD2 MH2 MC2 VM2 LM2 BU2 BE2 QR2 <i>Textured Laminate (10% upcharge)</i> NG2 NH2	B3K Left B3L Right	B3G Euro Soft Close Standard  B3J 5 Knuckle  B3H Euro Knuckle \$44 	X9 None Standard A4S Coat Hooks \$28 B3P Wardrobe Rail (24" wide models only) \$82 R7 Hanging Bar (24" deep models only) \$39 R8 Three Adjustable Shelves \$260 B3N Three Fixed Shelves \$260	NL No Lock - Standard LCK1 Requires 1 Lock Core \$77  H5S Assigned User Keyless Lock \$338 H5T Shared User Keyless Lock \$338  KML1 Assigned User Keyless Mechanical Lock \$202 KML2 Shared User Keyless Mechanical Lock \$202  PHL1 Pad Lock Hasp \$87  NOTE: LCK Locks ordered separately on page 5.	AS No Pull Crest  Era  Forte  Pure  Grip  B3D, SNCK Recessed (Satin Nickel Only) 	BWT Bone White CHLK Chalk MSL Luster Grey BKO Onyx SNCK Satin Nickel	X9 None RM Power \$299 H6K Daisy Chainable Power \$363  NOTE: Power feeds and jumpers are purchased separately on page 261.

**HOW TO ORDER**

SPECIFY: Exterior chassis finish | door finish | door edge finish | hinge location | hinge | interior options | lock | pull | pull finish | power. See page 11 for a complete offering of finishes.

**MODEL NUMBER**

MM-121866SCDS

Exterior Chassis Finish	Door Finish	Door Edge Finish	Hinge Location	Hinge	Interior Options	Lock	Pull	Pull Finish	Power
NW2	NW2	NW2	B3K	B3G	R8	LCK1	Crest	MSL	RM

**STORAGE CABINETS SINGLE (CONT.)**

- Sloped top
- 1 full hinged door
- 1 stationary shelf
- 4" recessed toe kick
- Adjustable levelers
- May be installed alone or with multiple cabinets
- In order to complete installation, either cove molding or toe kick rail must be adhered. Order cove molding separately, preferably from a local supplier early in the project. See pages 44 and 45 for toe kick rail offerings.
- All Mile Marker cabinetry is required to be anchored to a wall or floor. Installation hardware is not included with cabinets.

**STORAGE CABINET WITH DOOR SLOPED**



**24.25" DEEP MODELS**

model	w	d	h	wt	cu ft	List
MM-122468SCDS	12	24.25	68.5	125	15.0	\$ 932
MM-152468SCDS	15	24.25	68.5	128	18.2	\$ 1,025
MM-182468SCDS	18	24.25	68.5	130	21.4	\$ 1,120
MM-212468SCDS	21	24.25	68.5	133	24.6	\$ 1,177
MM-242468SCDS	24	24.25	68.5	135	27.8	\$ 1,272
MM-122474SCDS	12	24.25	74.5	130	16.3	\$ 990
MM-152474SCDS	15	24.25	74.5	133	19.8	\$ 1,089
MM-182474SCDS	18	24.25	74.5	135	23.2	\$ 1,189
MM-212474SCDS	21	24.25	74.5	138	26.7	\$ 1,252
MM-242474SCDS	24	24.25	74.5	140	30.2	\$ 1,353
MM-122480SCDS	12	24.25	80.5	135	17.5	\$ 1,099
MM-152480SCDS	15	24.25	80.5	138	21.3	\$ 1,206
MM-182480SCDS	18	24.25	80.5	140	25.1	\$ 1,314
MM-212480SCDS	21	24.25	80.5	143	28.8	\$ 1,418
MM-242480SCDS	24	24.25	80.5	145	32.6	\$ 1,559

**OPTIONS**

Exterior Chassis Finish	Door Finish	Door Edge Finish	Hinge Location	Hinge	Interior Options	Lock	Pull	Pull Finish	Power
TFL Woodgrain Laminate <i>Quartered</i> QE2 DS2 PC2 EN2 CO2 ST2 NW2 <i>Flat Cut</i> LC2 KD2 MH2 MC2 VM2 LM2 BU2 BE2 QR2 <i>Textured Laminate (10% upcharge)</i> NG2 NH2 TFL Solid Color Laminate BL2 GR2 SG2 FW2 RW2	TFL Woodgrain Laminate <i>Quartered</i> QE2 DS2 PC2 EN2 CO2 ST2 NW2 <i>Flat Cut</i> LC2 KD2 MH2 MC2 VM2 LM2 BU2 BE2 QR2 <i>Textured Laminate (10% upcharge)</i> NG2 NH2 TFL Solid Color Laminate BL2 GR2 SG2 FW2 RW2	TFL Woodgrain Laminate <i>Quartered</i> QE2 DS2 PC2 EN2 CO2 ST2 NW2 <i>Flat Cut</i> LC2 KD2 MH2 MC2 VM2 LM2 BU2 BE2 QR2 <i>Textured Laminate (10% upcharge)</i> NG2 NH2 TFL Solid Color Laminate BL2 GR2 SG2 FW2 RW2	B3K Left B3L Right	B3G Euro Soft Close Standard  B3J 5 Knuckle  B3H Euro Knuckle \$44 	X9 None Standard A4S Coat Hooks \$28 B3P Wardrobe Rail (24" wide models only) \$82 R7 Hanging Bar (24" deep models only) \$39 R8 Three Adjustable Shelves \$260 B3N Three Fixed Shelves \$260	NL No Lock - Standard LCK1 Requires 1 Lock Core \$77  H5S Assigned User Keyless Lock \$338 H5T Shared User Keyless Lock \$338  KML1 Assigned User Keyless Mechanical Lock \$202 KML2 Shared User Keyless Mechanical Lock \$202  PHL1 Pad Lock Hasp \$87  <b>NOTE: LCK Locks ordered separately on page 5.</b>	AS No Pull Crest  Era  Forte  Pure  Grip  B3D, SNCK Recessed (Satin Nickel Only) 	BWT Bone White CHLK Chalk MSL Luster Grey BKO Onyx SNCK Satin Nickel	X9 None RM Power \$299 H6K Daisy Chainable Power \$363 <b>NOTE: Power feeds and jumpers are purchased separately on page 261.</b>

**HOW TO ORDER**

SPECIFY: Exterior chassis finish | door finish | door edge finish | hinge location | hinge | interior options | lock | pull | pull finish | power. See page 11 for a complete offering of finishes.

**MODEL NUMBER**

MM-122468SCDS

Exterior Chassis Finish	Door Finish	Door Edge Finish	Hinge Location	Hinge	Interior Options	Lock	Pull	Pull Finish	Power
NW2	NW2	NW2	B3K	B3G	R8	LCK1	Crest	MSL	RM

**STORAGE CABINETS SINGLE (CONT.)**

- Sloped top
- 1 full hinged door
- 1 stationary shelf
- 4" recessed toe kick
- Adjustable levelers
- May be installed alone or with multiple cabinets
- In order to complete installation, either cove molding or toe kick rail must be adhered. Order cove molding separately, preferably from a local supplier early in the project. See pages 44 and 45 for toe kick rail offerings.
- All Mile Marker cabinetry is required to be anchored to a wall or floor. Installation hardware is not included with cabinets.

**STORAGE CABINET WITH DOOR SLOPED**



**24.25" DEEP MODELS**

model	w	d	h	wt	cu ft	List
MM-122486SCDS	12	24.25	86.5	140	18.8	\$ 1,234
MM-152486SCDS	15	24.25	86.5	143	22.9	\$ 1,304
MM-182486SCDS	18	24.25	86.5	145	26.9	\$ 1,392
MM-212486SCDS	21	24.25	86.5	148	30.9	\$ 1,484
MM-242486SCDS	24	24.25	86.5	150	35.0	\$ 1,614
MM-122492SCDS	12	24.25	92.5	145	20.1	\$ 1,331
MM-152492SCDS	15	24.25	92.5	148	24.4	\$ 1,446
MM-182492SCDS	18	24.25	92.5	150	28.7	\$ 1,560
MM-212492SCDS	21	24.25	92.5	153	33.0	\$ 1,656
MM-242492SCDS	24	24.25	92.5	155	37.3	\$ 1,790

**OPTIONS**

Exterior Chassis Finish	Door Finish	Door Edge Finish	Hinge Location	Hinge	Interior Options	Lock	Pull	Pull Finish	Power
TFL Woodgrain Laminate <i>Quartered</i> QE2 DS2 PC2 EN2 CO2 ST2 NW2 <i>Flat Cut</i> LC2 KD2 MH2 MC2 VM2 LM2 BU2 BE2 QR2 <i>Textured Laminate (10% upcharge)</i> NG2 NH2  TFL Solid Color Laminate BL2 GR2 SG2 FW2 RW2	TFL Woodgrain Laminate <i>Quartered</i> QE2 DS2 PC2 EN2 CO2 ST2 NW2 <i>Flat Cut</i> LC2 KD2 MH2 MC2 VM2 LM2 BU2 BE2 QR2 <i>Textured Laminate (10% upcharge)</i> NG2 NH2  TFL Solid Color Laminate BL2 GR2 SG2 FW2 RW2	TFL Woodgrain Laminate <i>Quartered</i> QE2 DS2 PC2 EN2 CO2 ST2 NW2 <i>Flat Cut</i> LC2 KD2 MH2 MC2 VM2 LM2 BU2 BE2 QR2 <i>Textured Laminate (10% upcharge)</i> NG2 NH2  TFL Solid Color Laminate BL2 GR2 SG2 FW2 RW2	B3K Left B3L Right	B3G Euro Soft Close Standard  B3J 5 Knuckle  B3H Euro Knuckle \$44	X9 None Standard A4S Coat Hooks \$28 B3P Wardrobe Rail (24" wide models only) \$82 R7 Hanging Bar (24" deep models only) \$39 R8 Three Adjustable Shelves \$260 B3N Three Fixed Shelves \$260	NL No Lock - Standard LCK1 Requires 1 Lock Core \$77  H5S Assigned User Keyless Lock \$338 H5T Shared User Keyless Lock \$338  KML1 Assigned User Keyless Mechanical Lock \$202 KML2 Shared User Keyless Mechanical Lock \$202  PHL1 Pad Lock Hasp \$87  <b>NOTE:</b> LCK Locks ordered separately on page 5.	AS No Pull Crest  Era  Forte  Pure  Grip  B3D, SNCK Recessed (Satin Nickel Only)	BWT Bone White CHLK Chalk MSL Luster Grey BKO Onyx SNCK Satin Nickel	X9 None RM Power \$299 H6K Daisy Chainable Power \$363  <b>NOTE:</b> Power feeds and jumpers are purchased separately on page 261.

**HOW TO ORDER**

SPECIFY: Exterior chassis finish | door finish | door edge finish | hinge location | hinge | interior options | lock | pull | pull finish | power. See page 11 for a complete offering of finishes.

**MODEL NUMBER**

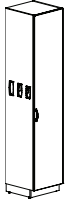
MM-122468SCDS

Exterior Chassis Finish	Door Finish	Door Edge Finish	Hinge Location	Hinge	Interior Options	Lock	Pull	Pull Finish	Power
NW2	NW2	NW2	B3K	B3G	R8	LCK1	Crest	MSL	RM

**STORAGE CABINETS SINGLE**

- Flat top
- 1 full hinged door
- 2 stationary shelves
- 2 adjustable shelves
- 3 glove box storage slots
- 4" recessed toe kick
- Adjustable levelers
- Glove box cutouts come standard in small, medium & large
- Metal interior glove box holders are included
- May be installed alone or with multiple cabinets
- **NOTE** : the back of the glove box panel is white laminate
- In order to complete installation, either cove molding or toe kick rail must be adhered. Order cove molding separately, preferably from a local supplier early in the project. See pages 44 and 45 for toe kick rail offerings.
- All Mile Marker cabinetry is required to be anchored to a wall or floor. Installation hardware is not included with cabinets.

**FLAT TOP STORAGE CABINET WITH DOOR AND GLOVE BOXES**



**18.25" DEEP MODELS**

model	w	d	h	wt	cu ft	List
MM-121860SCDGB	12	18.25	60	120	10.2	\$ 1,220
MM-151860SCDGB	15	18.25	60	123	12.4	\$ 1,262
MM-181860SCDGB	18	18.25	60	125	14.5	\$ 1,303
MM-211860SCDGB	21	18.25	60	128	16.7	\$ 1,357
MM-241860SCDGB	24	18.25	60	130	18.9	\$ 1,448
MM-121866SCDGB	12	18.25	66	125	11.2	\$ 1,288
MM-151866SCDGB	15	18.25	66	128	13.5	\$ 1,333
MM-181866SCDGB	18	18.25	66	130	15.9	\$ 1,375
MM-211866SCDGB	21	18.25	66	133	18.3	\$ 1,435
MM-241866SCDGB	24	18.25	66	135	20.7	\$ 1,534
MM-121872SCDGB	12	18.25	72	130	12.1	\$ 1,353
MM-151872SCDGB	15	18.25	72	133	14.7	\$ 1,428
MM-181872SCDGB	18	18.25	72	135	17.3	\$ 1,501
MM-211872SCDGB	21	18.25	72	138	19.9	\$ 1,584
MM-241872SCDGB	24	18.25	72	140	22.5	\$ 1,706

**OPTIONS**

Exterior Chassis Finish	Door Finish	Door Edge Finish	Hinge Location	Hinge	Lock	Pull	Pull Finish
TFL Woodgrain Laminate <i>Quartered</i> QE2 DS2 PC2 EN2 CO2 ST2 NW2 <i>Flat Cut</i> LC2 KD2 MH2 MC2 VM2 LM2 BU2 BE2 <i>Textured Laminate</i> (10% upcharge) NG2 NH2 TFL Solid Color Laminate BL2 GR2 FW2 RW2	TFL Woodgrain Laminate <i>Quartered</i> QE2 DS2 PC2 EN2 CO2 ST2 NW2 <i>Flat Cut</i> LC2 KD2 MH2 MC2 VM2 LM2 BU2 BE2 <i>Textured Laminate</i> (10% upcharge) NG2 NH2 TFL Solid Color Laminate BL2 GR2 FW2 RW2	TFL Woodgrain Laminate <i>Quartered</i> QE2 DS2 PC2 EN2 CO2 ST2 NW2 <i>Flat Cut</i> LC2 KD2 MH2 MC2 VM2 LM2 BU2 BE2 <i>Textured Laminate</i> (10% upcharge) NG2 NH2 TFL Solid Color Laminate BL2 GR2 FW2 RW2	B3K Left B3L Right	B3G Euro Soft Close Standard  B3J 5 Knuckle  B3H Euro Knuckle \$44 	NL No Lock - Standard LCK1 Requires 1 Lock Core \$77  H55 Assigned User Keyless Lock \$338 H5T Shared User Keyless Lock \$338  KML1 Assigned User Keyless Mechanical Lock \$202 KML2 Shared User Keyless Mechanical Lock \$202  <b>NOTE:</b> LCK Locks ordered separately on page 5.	AS No Pull  Era  Forte  Pure  Grip  B3D, SNCK Recessed (Satin Nickel Only) 	BWT Bone White CHLK Chalk MSL Luster Grey BKO Onyx SNCK Satin Nickel

**HOW TO ORDER**  
SPECIFY: Exterior chassis finish | door finish | door edge finish | hinge location | hinge | lock | pull | pull finish. See page 11 for a complete offering of finishes.

**MODEL NUMBER**

MM-121860SCDGB

Exterior Chassis Finish	Door Finish	Door Edge Finish	Hinge Location	Hinge	Lock	Pull	Pull Finish
NW2	NW2	NW2	B3K	B3G	LCK1	Crest	MSL

**STORAGE CABINETS SINGLE (CONT.)**

- Flat top
- 1 full hinged door
- 2 stationary shelves
- 2 adjustable shelves
- 3 glove box storage slots
- 4" recessed toe kick
- Adjustable levelers
- Glove box cutouts come standard in small, medium & large
- Metal interior glove box holders are included
- May be installed alone or with multiple cabinets
- **NOTE** : the back of the glove box panel is white laminate
- In order to complete installation, either cove molding or toe kick rail must be adhered. Order cove molding separately, preferably from a local supplier early in the project. See pages 44 and 45 for toe kick rail offerings.
- All Mile Marker cabinetry is required to be anchored to a wall or floor. Installation hardware is not included with cabinets.

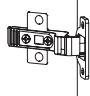






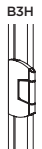
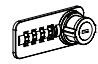


**FLAT TOP STORAGE CABINET WITH DOOR AND GLOVE BOXES**



**18.25" DEEP MODELS**

model	w	d	h	wt	cu ft	List
MM-121878SCDGB	12	18.25	78	135	13.1	\$ 1,471
MM-151878SCDGB	15	18.25	78	138	15.9	\$ 1,551
MM-181878SCDGB	18	18.25	78	140	18.8	\$ 1,629
MM-211878SCDGB	21	18.25	78	143	21.6	\$ 1,709
MM-241878SCDGB	24	18.25	78	145	24.4	\$ 1,826
MM-121884SCDGB	12	18.25	84	140	14.1	\$ 1,587
MM-151884SCDGB	15	18.25	84	143	17.1	\$ 1,672
MM-181884SCDGB	18	18.25	84	145	20.2	\$ 1,760
MM-211884SCDGB	21	18.25	84	148	23.2	\$ 1,879
MM-241884SCDGB	24	18.25	84	150	26.2	\$ 2,036

**OPTIONS**

Exterior Chassis Finish	Door Finish	Door Edge Finish	Hinge Location	Hinge	Lock	Pull	Pull Finish
TFL Woodgrain Laminate <i>Quartered</i> QE2 DS2 PC2 EN2 CO2 ST2 NW2	TFL Woodgrain Laminate <i>Quartered</i> QE2 DS2 PC2 EN2 CO2 ST2 NW2	TFL Woodgrain Laminate <i>Quartered</i> QE2 DS2 PC2 EN2 CO2 ST2 NW2	B3K Left B3L Right	B3G Euro Soft Close Standard 	NL No Lock - Standard LCK1 Requires 1 Lock Core \$77 	AS No Pull Crest  Era 	BWT Bone White CHLK Chalk MSL Luster Grey BKO Onyx SNCK Satin Nickel
<i>Flat Cut</i> LC2 KD2 MH2 MC2 VM2 LM2 BU2 BE2	<i>Flat Cut</i> LC2 KD2 MH2 MC2 VM2 LM2 BU2 BE2	<i>Flat Cut</i> LC2 KD2 MH2 MC2 VM2 LM2 BU2 BE2		B3J 5 Knuckle 	H55 Assigned User Keyless Lock \$338 H5T Shared User Keyless Lock \$338	Forte  Pure 	
<i>Textured Laminate</i> (10% upcharge) NG2 NH2	<i>Textured Laminate</i> (10% upcharge) NG2 NH2	<i>Textured Laminate</i> (10% upcharge) NG2 NH2		B3H Euro Knuckle \$44 	KML1 Assigned User Keyless Mechanical Lock \$202 KML2 Shared User Keyless Mechanical Lock \$202 	Grip  B3D, SNCK Recessed (Satin Nickel Only) 	
TFL Solid Color Laminate BL2 GR2 FW2 RW2	TFL Solid Color Laminate BL2 GR2 FW2 RW2	TFL Solid Color Laminate BL2 GR2 FW2 RW2			<b>NOTE:</b> LCK Locks ordered separately on page 5.		

**HOW TO ORDER**  
SPECIFY: Exterior chassis finish | door finish | door edge finish | hinge location | hinge | lock | pull | pull finish. See page 11 for a complete offering of finishes.

**MODEL NUMBER**

MM-121860SCDGB

Exterior Chassis Finish	Door Finish	Door Edge Finish	Hinge Location	Hinge	Lock	Pull	Pull Finish
NW2	NW2	NW2	B3K	B3G	LCK1	Crest	MSL

**STORAGE CABINETS SINGLE (CONT.)**

- Flat top
- 1 full hinged door
- 2 stationary shelves
- 2 adjustable shelves
- 3 glove box storage slots
- 4" recessed toe kick
- Adjustable levelers
- Glove box cutouts come standard in small, medium & large
- Metal interior glove box holders are included
- May be installed alone or with multiple cabinets
- **NOTE** : the back of the glove box panel is white laminate
- In order to complete installation, either cove molding or toe kick rail must be adhered. Order cove molding separately, preferably from a local supplier early in the project. See pages 44 and 45 for toe kick rail offerings.
- All Mile Marker cabinetry is required to be anchored to a wall or floor. Installation hardware is not included with cabinets.

**FLAT TOP STORAGE CABINET WITH DOOR AND GLOVE BOXES**



**24.25" DEEP MODELS**

model	w	d	h	wt	cu ft	List
MM-122460SCDGB	12	24.25	60	125	13.2	\$ 1,305
MM-152460SCDGB	15	24.25	60	128	16.0	\$ 1,399
MM-182460SCDGB	18	24.25	60	130	18.8	\$ 1,492
MM-212460SCDGB	21	24.25	60	133	21.7	\$ 1,560
MM-242460SCDGB	24	24.25	60	135	24.5	\$ 1,667
MM-122466SCDGB	12	24.25	66	130	14.5	\$ 1,377
MM-152466SCDGB	15	24.25	66	133	17.6	\$ 1,482
MM-182466SCDGB	18	24.25	66	135	20.7	\$ 1,583
MM-212466SCDGB	21	24.25	66	138	23.8	\$ 1,659
MM-242466SCDGB	24	24.25	66	140	26.9	\$ 1,774
MM-122472SCDGB	12	24.25	72	135	15.7	\$ 1,489
MM-152472SCDGB	15	24.25	72	138	19.1	\$ 1,601
MM-182472SCDGB	18	24.25	72	140	22.5	\$ 1,709
MM-212472SCDGB	21	24.25	72	143	25.9	\$ 1,815
MM-242472SCDGB	24	24.25	72	145	29.2	\$ 1,959

**OPTIONS**

Exterior Chassis Finish	Door Finish	Door Edge Finish	Hinge Location	Hinge	Lock	Pull	Pull Finish
TFL Woodgrain Laminate <i>Quartered</i> QE2 DS2 PC2 EN2 CO2 ST2 NW2 <i>Flat Cut</i> LC2 KD2 MH2 MC2 VM2 LM2 BU2 BE2 <i>Textured Laminate</i> (10% upcharge) NG2 NH2 TFL Solid Color Laminate BL2 GR2 FW2 RW2	TFL Woodgrain Laminate <i>Quartered</i> QE2 DS2 PC2 EN2 CO2 ST2 NW2 <i>Flat Cut</i> LC2 KD2 MH2 MC2 VM2 LM2 BU2 BE2 <i>Textured Laminate</i> (10% upcharge) NG2 NH2 TFL Solid Color Laminate BL2 GR2 FW2 RW2	TFL Woodgrain Laminate <i>Quartered</i> QE2 DS2 PC2 EN2 CO2 ST2 NW2 <i>Flat Cut</i> LC2 KD2 MH2 MC2 VM2 LM2 BU2 BE2 <i>Textured Laminate</i> (10% upcharge) NG2 NH2 TFL Solid Color Laminate BL2 GR2 FW2 RW2	B3K Left B3L Right	B3G Euro Soft Close Standard  B3J 5 Knuckle  B3H Euro Knuckle \$44 	NL No Lock - Standard LCK1 Requires 1 Lock Core \$77  H55 Assigned User Keyless Lock \$338 H5T Shared User Keyless Lock \$338  KML1 Assigned User Keyless Mechanical Lock \$202 KML2 Shared User Keyless Mechanical Lock \$202  <b>NOTE:</b> LCK Locks ordered separately on page 5.	AS No Pull  Era  Forte  Pure  Grip  B3D, SNCK Recessed (Satin Nickel Only) 	BWT Bone White CHLK Chalk MSL Luster Grey BKO Onyx SNCK Satin Nickel

**HOW TO ORDER**

SPECIFY: Exterior chassis finish | door finish | door edge finish | hinge location | hinge | lock | pull | pull finish. See page 11 for a complete offering of finishes.

**MODEL NUMBER**

MM-122460SCDGB

Exterior Chassis Finish	Door Finish	Door Edge Finish	Hinge Location	Hinge	Lock	Pull	Pull Finish
NW2	NW2	NW2	B3K	B3G	LCK1	Crest	MSL

**STORAGE CABINETS SINGLE (CONT.)**

- Flat top
- 1 full hinged door
- 2 stationary shelves
- 2 adjustable shelves
- 3 glove box storage slots
- 4" recessed toe kick
- Adjustable levelers
- Glove box cutouts come standard in small, medium & large
- Metal interior glove box holders are included
- May be installed alone or with multiple cabinets
- **NOTE** : the back of the glove box panel is white laminate
- In order to complete installation, either cove molding or toe kick rail must be adhered. Order cove molding separately, preferably from a local supplier early in the project. See pages 44 and 45 for toe kick rail offerings.
- All Mile Marker cabinetry is required to be anchored to a wall or floor. Installation hardware is not included with cabinets.

**FLAT TOP STORAGE CABINET WITH DOOR AND GLOVE BOXES**



**24.25" DEEP MODELS**

model	w	d	h	wt	cu ft	List
MM-122478SCDGB	12	24.25	78	140	17.0	\$ 1,609
MM-152478SCDGB	15	24.25	78	143	20.7	\$ 1,697
MM-182478SCDGB	18	24.25	78	145	24.3	\$ 1,787
MM-212478SCDGB	21	24.25	78	148	28.0	\$ 1,883
MM-242478SCDGB	24	24.25	78	150	31.6	\$ 2,018
MM-122484SCDGB	12	24.25	84	145	18.3	\$ 1,726
MM-152484SCDGB	15	24.25	84	148	22.2	\$ 1,836
MM-182484SCDGB	18	24.25	84	150	26.1	\$ 1,947
MM-212484SCDGB	21	24.25	84	153	30.0	\$ 2,053
MM-242484SCDGB	24	24.25	84	155	34.0	\$ 2,197

**OPTIONS**

Exterior Chassis Finish	Door Finish	Door Edge Finish	Hinge Location	Hinge	Lock	Pull	Pull Finish
TFL Woodgrain Laminate <i>Quartered</i> QE2 DS2 PC2 EN2 CO2 ST2 NW2 <i>Flat Cut</i> LC2 KD2 MH2 MC2 VM2 LM2 BU2 BE2 <i>Textured Laminate</i> (10% upcharge) NG2 NH2 TFL Solid Color Laminate BL2 GR2 FW2 RW2	TFL Woodgrain Laminate <i>Quartered</i> QE2 DS2 PC2 EN2 CO2 ST2 NW2 <i>Flat Cut</i> LC2 KD2 MH2 MC2 VM2 LM2 BU2 BE2 <i>Textured Laminate</i> (10% upcharge) NG2 NH2 TFL Solid Color Laminate BL2 GR2 FW2 RW2	TFL Woodgrain Laminate <i>Quartered</i> QE2 DS2 PC2 EN2 CO2 ST2 NW2 <i>Flat Cut</i> LC2 KD2 MH2 MC2 VM2 LM2 BU2 BE2 <i>Textured Laminate</i> (10% upcharge) NG2 NH2 TFL Solid Color Laminate BL2 GR2 FW2 RW2	B3K Left B3L Right	B3G Euro Soft Close Standard  B3J 5 Knuckle  B3H Euro Knuckle \$44 	NL No Lock - Standard LCK1 Requires 1 Lock Core \$77  H55 Assigned User Keyless Lock \$338 H5T Shared User Keyless Lock \$338  KML1 Assigned User Keyless Mechanical Lock \$202 KML2 Shared User Keyless Mechanical Lock \$202  <b>NOTE:</b> LCK Locks ordered separately on page 5.	AS No Pull  Era  Forte  Pure  Grip  B3D, SNCK Recessed (Satin Nickel Only) 	BWT Bone White CHLK Chalk MSL Luster Grey BKO Onyx SNCK Satin Nickel

**HOW TO ORDER**

SPECIFY: Exterior chassis finish | door finish | door edge finish | hinge location | hinge | lock | pull | pull finish. See page 11 for a complete offering of finishes.

**MODEL NUMBER**

MM-122460SCDGB

Exterior Chassis Finish	Door Finish	Door Edge Finish	Hinge Location	Hinge	Lock	Pull	Pull Finish
NW2	NW2	NW2	B3K	B3G	LCK1	Crest	MSL



**STORAGE CABINETS SINGLE (CONT.)**

- Sloped top
- 1 full hinged door
- 2 stationary shelves
- 2 adjustable shelves
- 3 glove box storage slots
- 4" recessed toe kick
- Adjustable levelers
- Glove box cutouts come standard in small, medium & large
- Metal interior glove box holders are included
- May be installed alone or with multiple cabinets
- **NOTE** : the back of the glove box panel is white laminate
- In order to complete installation, either cove molding or toe kick rail must be adhered. Order cove molding separately, preferably from a local supplier early in the project. See pages 44 and 45 for toe kick rail offerings.
- All Mile Marker cabinetry is required to be anchored to a wall or floor. Installation hardware is not included with cabinets.

**STORAGE CABINET WITH SLOPED TOP, DOOR AND GLOVE BOXES**



**18.25" DEEP MODELS**

model	w	d	h	wt	cu ft	List
MM-121866SCDGBS	12	18.25	66.5	120	11.2	\$ 1,295
MM-151866SCDGBS	15	18.25	66.5	123	13.6	\$ 1,340
MM-181866SCDGBS	18	18.25	66.5	125	16.1	\$ 1,385
MM-211866SCDGBS	21	18.25	66.5	128	18.5	\$ 1,437
MM-241866SCDGBS	24	18.25	66.5	130	20.9	\$ 1,528
MM-121872SCDGBS	12	18.25	72.5	125	12.2	\$ 1,349
MM-151872SCDGBS	15	18.25	72.5	128	14.8	\$ 1,398
MM-181872SCDGBS	18	18.25	72.5	130	17.5	\$ 1,443
MM-211872SCDGBS	21	18.25	72.5	133	20.1	\$ 1,500
MM-241872SCDGBS	24	18.25	72.5	135	22.7	\$ 1,595
MM-121878SCDGBS	12	18.25	78.5	130	13.2	\$ 1,417
MM-151878SCDGBS	15	18.25	78.5	133	16.0	\$ 1,491
MM-181878SCDGBS	18	18.25	78.5	135	18.9	\$ 1,564
MM-211878SCDGBS	21	18.25	78.5	138	21.7	\$ 1,647
MM-241878SCDGBS	24	18.25	78.5	140	24.5	\$ 1,769

**OPTIONS**

Exterior Chassis Finish	Door Finish	Door Edge Finish	Hinge Location	Hinge	Lock	Pull	Pull Finish
TFL Woodgrain Laminate <i>Quartered</i> QE2 DS2 PC2 EN2 CO2 ST2 NW2 <i>Flat Cut</i> LC2 KD2 MH2 MC2 VM2 LM2 BU2 BE2 <i>Textured Laminate</i> (10% upcharge) NG2 NH2  TFL Solid Color Laminate BL2 GR2 FW2 RW2	TFL Woodgrain Laminate <i>Quartered</i> QE2 DS2 PC2 EN2 CO2 ST2 NW2 <i>Flat Cut</i> LC2 KD2 MH2 MC2 VM2 LM2 BU2 BE2 <i>Textured Laminate</i> (10% upcharge) NG2 NH2  TFL Solid Color Laminate BL2 GR2 FW2 RW2	TFL Woodgrain Laminate <i>Quartered</i> QE2 DS2 PC2 EN2 CO2 ST2 NW2 <i>Flat Cut</i> LC2 KD2 MH2 MC2 VM2 LM2 BU2 BE2 <i>Textured Laminate</i> (10% upcharge) NG2 NH2  TFL Solid Color Laminate BL2 GR2 FW2 RW2	B3K Left B3L Right	B3G Euro Soft Close Standard  B3J 5 Knuckle  B3H Euro Knuckle \$44	NL No Lock - Standard LCK1 Requires 1 Lock Core \$77  H5S Assigned User Keyless Lock \$338 H5T Shared User Keyless Lock \$338  KML1 Assigned User Keyless Mechanical Lock \$202 KML2 Shared User Keyless Mechanical Lock \$202  NOTE: LCK Locks ordered separately on page 5.	AS No Pull  Crest  Era  Forte  Pure  Grip  B3D, SNCK Recessed (Satin Nickel Only)	BWT Bone White CHLK Chalk MSL Luster Grey BKO Onyx SNCK Satin Nickel

**HOW TO ORDER**  
SPECIFY: Exterior chassis finish | door finish | door edge finish | hinge location | hinge | lock | pull | pull finish. See page 11 for a complete offering of finishes.

**MODEL NUMBER**

MM-121866SCDGBS

Exterior Chassis Finish	Door Finish	Door Edge Finish	Hinge Location	Hinge	Lock	Pull	Pull Finish
NW2	NW2	NW2	B3K	B3G	LCK1	Crest	MSL

**STORAGE CABINETS SINGLE (CONT.)**

- Sloped top
- 1 full hinged door
- 2 stationary shelves
- 2 adjustable shelves
- 3 glove box storage slots
- 4" recessed toe kick
- Adjustable levelers
- Glove box cutouts come standard in small, medium & large
- Metal interior glove box holders are included
- May be installed alone or with multiple cabinets
- **NOTE** : the back of the glove box panel is white laminate
- In order to complete installation, either cove molding or toe kick rail must be adhered. Order cove molding separately, preferably from a local supplier early in the project. See pages 44 and 45 for toe kick rail offerings.
- All Mile Marker cabinetry is required to be anchored to a wall or floor. Installation hardware is not included with cabinets.

**STORAGE CABINET WITH SLOPED TOP, DOOR AND GLOVE BOXES**



**18.25" DEEP MODELS**

model	w	d	h	wt	cu ft	List
MM-121884SCDGBS	12	18.25	84.5	135	14.2	\$ 1,533
MM-151884SCDGBS	15	18.25	84.5	138	17.2	\$ 1,610
MM-181884SCDGBS	18	18.25	84.5	140	20.3	\$ 1,687
MM-211884SCDGBS	21	18.25	84.5	143	23.3	\$ 1,770
MM-241884SCDGBS	24	18.25	84.5	145	26.4	\$ 1,889
MM-121890SCDGBS	12	18.25	90.5	140	15.2	\$ 1,650
MM-151890SCDGBS	15	18.25	90.5	143	18.4	\$ 1,736
MM-181890SCDGBS	18	18.25	90.5	145	21.7	\$ 1,821
MM-211890SCDGBS	21	18.25	90.5	148	24.9	\$ 1,940
MM-241890SCDGBS	24	18.25	90.5	150	28.2	\$ 2,098

**OPTIONS**

Exterior Chassis Finish	Door Finish	Door Edge Finish	Hinge Location	Hinge	Lock	Pull	Pull Finish
TFL Woodgrain Laminate <i>Quartered</i> QE2 DS2 PC2 EN2 CO2 ST2 NW2 <i>Flat Cut</i> LC2 KD2 MH2 MC2 VM2 LM2 BU2 BE2 <i>Textured Laminate</i> (10% upcharge) NG2 NH2  TFL Solid Color Laminate BL2 GR2 FW2 RW2	TFL Woodgrain Laminate <i>Quartered</i> QE2 DS2 PC2 EN2 CO2 ST2 NW2 <i>Flat Cut</i> LC2 KD2 MH2 MC2 VM2 LM2 BU2 BE2 <i>Textured Laminate</i> (10% upcharge) NG2 NH2  TFL Solid Color Laminate BL2 GR2 FW2 RW2	TFL Woodgrain Laminate <i>Quartered</i> QE2 DS2 PC2 EN2 CO2 ST2 NW2 <i>Flat Cut</i> LC2 KD2 MH2 MC2 VM2 LM2 BU2 BE2 <i>Textured Laminate</i> (10% upcharge) NG2 NH2  TFL Solid Color Laminate BL2 GR2 FW2 RW2	B3K Left B3L Right	B3G Euro Soft Close Standard  B3J 5 Knuckle  B3H Euro Knuckle \$44	NL No Lock - Standard LCK1 Requires 1 Lock Core \$77  H5S Assigned User Keyless Lock \$338 H5T Shared User Keyless Lock \$338  KML1 Assigned User Keyless Mechanical Lock \$202 KML2 Shared User Keyless Mechanical Lock \$202  NOTE: LCK Locks ordered separately on page 5.	AS No Pull  Crest  Era  Forte  Pure  Grip  B3D, SNCK Recessed (Satin Nickel Only)	BWT Bone White CHLK Chalk MSL Luster Grey BKO Onyx SNCK Satin Nickel

**HOW TO ORDER**

SPECIFY: Exterior chassis finish | door finish | door edge finish | hinge location | hinge | lock | pull | pull finish. See page 11 for a complete offering of finishes.

**MODEL NUMBER**

MM-121866SCDGBS

Exterior Chassis Finish	Door Finish	Door Edge Finish	Hinge Location	Hinge	Lock	Pull	Pull Finish
NW2	NW2	NW2	B3K	B3G	LCK1	Crest	MSL

**STORAGE CABINETS SINGLE (CONT.)**

- Sloped top
- 1 full hinged door
- 2 stationary shelves
- 2 adjustable shelves
- 3 glove box storage slots
- 4" recessed toe kick
- Adjustable levelers
- Glove box cutouts come standard in small, medium & large
- Metal interior glove box holders are included
- May be installed alone or with multiple cabinets
- **NOTE** : the back of the glove box panel is white laminate
- In order to complete installation, either cove molding or toe kick rail must be adhered. Order cove molding separately, preferably from a local supplier early in the project. See pages 44 and 45 for toe kick rail offerings.
- All Mile Marker cabinetry is required to be anchored to a wall or floor. Installation hardware is not included with cabinets.

**STORAGE CABINET WITH SLOPED TOP, DOOR AND GLOVE BOXES**  
**24.25" DEEP MODELS**



model	w	d	h	wt	cu ft	List
MM-122468SCDGBS	12	24.25	68.5	125	15.0	\$ 1,381
MM-152468SCDGBS	15	24.25	68.5	128	18.2	\$ 1,478
MM-182468SCDGBS	18	24.25	68.5	130	21.4	\$ 1,575
MM-212468SCDGBS	21	24.25	68.5	133	24.6	\$ 1,787
MM-242468SCDGBS	24	24.25	68.5	135	27.8	\$ 1,728
MM-122474SCDGBS	12	24.25	74.5	130	16.3	\$ 1,441
MM-152474SCDGBS	15	24.25	74.5	133	19.8	\$ 1,542
MM-182474SCDGBS	18	24.25	74.5	135	23.2	\$ 1,645
MM-212474SCDGBS	21	24.25	74.5	138	26.7	\$ 1,710
MM-242474SCDGBS	24	24.25	74.5	140	30.2	\$ 1,811
MM-122480SCDGBS	12	24.25	80.5	135	17.5	\$ 1,552
MM-152480SCDGBS	15	24.25	80.5	138	21.3	\$ 1,661
MM-182480SCDGBS	18	24.25	80.5	140	25.1	\$ 1,772
MM-212480SCDGBS	21	24.25	80.5	143	28.8	\$ 1,878
MM-242480SCDGBS	24	24.25	80.5	145	32.6	\$ 2,022

**OPTIONS**

Exterior Chassis Finish	Door Finish	Door Edge Finish	Hinge Location	Hinge	Lock	Pull	Pull Finish
TFL Woodgrain Laminate <i>Quartered</i> QE2 DS2 PC2 EN2 CO2 ST2 NW2 <i>Flat Cut</i> LC2 KD2 MH2 MC2 VM2 LM2 BU2 BE2 <i>Textured Laminate</i> (10% upcharge) NG2 NH2  TFL Solid Color Laminate BL2 GR2 FW2 RW2	TFL Woodgrain Laminate <i>Quartered</i> QE2 DS2 PC2 EN2 CO2 ST2 NW2 <i>Flat Cut</i> LC2 KD2 MH2 MC2 VM2 LM2 BU2 BE2 <i>Textured Laminate</i> (10% upcharge) NG2 NH2  TFL Solid Color Laminate BL2 GR2 FW2 RW2	TFL Woodgrain Laminate <i>Quartered</i> QE2 DS2 PC2 EN2 CO2 ST2 NW2 <i>Flat Cut</i> LC2 KD2 MH2 MC2 VM2 LM2 BU2 BE2 <i>Textured Laminate</i> (10% upcharge) NG2 NH2  TFL Solid Color Laminate BL2 GR2 FW2 RW2	B3K Left B3L Right	B3G Euro Soft Close Standard  B3J 5 Knuckle  B3H Euro Knuckle \$44	NL No Lock - Standard LCK1 Requires 1 Lock Core \$77  H5S Assigned User Keyless Lock \$338 H5T Shared User Keyless Lock \$338  KML1 Assigned User Keyless Mechanical Lock \$202 KML2 Shared User Keyless Mechanical Lock \$202  NOTE: LCK Locks ordered separately on page 5.	AS No Pull  Crest  Era  Forte  Pure  Grip  B3D, SNCK Recessed (Satin Nickel Only)	BWT Bone White CHLK Chalk MSL Luster Grey BKO Onyx SNCK Satin Nickel

**HOW TO ORDER**

SPECIFY: Exterior chassis finish | door finish | door edge finish | hinge location | hinge | lock | pull | pull finish. See page 11 for a complete offering of finishes.

**MODEL NUMBER**

MM-122468SCDGBS

Exterior Chassis Finish	Door Finish	Door Edge Finish	Hinge Location	Hinge	Lock	Pull	Pull Finish
NW2	NW2	NW2	B3K	B3G	LCK1	Crest	MSL

**STORAGE CABINETS SINGLE (CONT.)**

- Sloped top
- 1 full hinged door
- 2 stationary shelves
- 2 adjustable shelves
- 3 glove box storage slots
- 4" recessed toe kick
- Adjustable levelers
- Glove box cutouts come standard in small, medium & large
- Metal interior glove box holders are included
- May be installed alone or with multiple cabinets
- **NOTE** : the back of the glove box panel is white laminate
- In order to complete installation, either cove molding or toe kick rail must be adhered. Order cove molding separately, preferably from a local supplier early in the project. See pages 44 and 45 for toe kick rail offerings.
- All Mile Marker cabinetry is required to be anchored to a wall or floor. Installation hardware is not included with cabinets.

**STORAGE CABINET WITH SLOPED TOP, DOOR AND GLOVE BOXES**  
**24.25" DEEP MODELS**



model	w	d	h	wt	cu ft	List
MM-122486SCDGBS	12	24.25	86.5	140	18.8	\$ 1,670
MM-152486SCDGBS	15	24.25	86.5	143	22.9	\$ 1,761
MM-182486SCDGBS	18	24.25	86.5	145	26.9	\$ 1,851
MM-212486SCDGBS	21	24.25	86.5	148	30.9	\$ 1,945
MM-242486SCDGBS	24	24.25	86.5	150	35.0	\$ 2,077
MM-122492SCDGBS	12	24.25	92.5	145	20.1	\$ 1,788
MM-152492SCDGBS	15	24.25	92.5	148	24.4	\$ 1,906
MM-182492SCDGBS	18	24.25	92.5	150	28.7	\$ 2,023
MM-212492SCDGBS	21	24.25	92.5	153	33.0	\$ 2,121
MM-242492SCDGBS	24	24.25	92.5	155	37.3	\$ 2,257

**OPTIONS**

Exterior Chassis Finish	Door Finish	Door Edge Finish	Hinge Location	Hinge	Lock	Pull	Pull Finish
TFL Woodgrain Laminate <i>Quartered</i> QE2 DS2 PC2 EN2 CO2 ST2 NW2 <i>Flat Cut</i> LC2 KD2 MH2 MC2 VM2 LM2 BU2 BE2 <i>Textured Laminate</i> (10% upcharge) NG2 NH2  TFL Solid Color Laminate BL2 GR2 FW2 RW2	TFL Woodgrain Laminate <i>Quartered</i> QE2 DS2 PC2 EN2 CO2 ST2 NW2 <i>Flat Cut</i> LC2 KD2 MH2 MC2 VM2 LM2 BU2 BE2 <i>Textured Laminate</i> (10% upcharge) NG2 NH2  TFL Solid Color Laminate BL2 GR2 FW2 RW2	TFL Woodgrain Laminate <i>Quartered</i> QE2 DS2 PC2 EN2 CO2 ST2 NW2 <i>Flat Cut</i> LC2 KD2 MH2 MC2 VM2 LM2 BU2 BE2 <i>Textured Laminate</i> (10% upcharge) NG2 NH2  TFL Solid Color Laminate BL2 GR2 FW2 RW2	B3K Left B3L Right	B3G Euro Soft Close Standard  B3J 5 Knuckle  B3H Euro Knuckle \$44	NL No Lock - Standard LCK1 Requires 1 Lock Core \$77  H5S Assigned User Keyless Lock \$338 H5T Shared User Keyless Lock \$338  KML1 Assigned User Keyless Mechanical Lock \$202 KML2 Shared User Keyless Mechanical Lock \$202  NOTE: LCK Locks ordered separately on page 5.	AS No Pull  Crest  Era  Forte  Pure  Grip  B3D, SNCK Recessed (Satin Nickel Only)	BWT Bone White CHLK Chalk MSL Luster Grey BKO Onyx SNCK Satin Nickel

**HOW TO ORDER**

SPECIFY: Exterior chassis finish | door finish | door edge finish | hinge location | hinge | lock | pull | pull finish. See page 11 for a complete offering of finishes.

**MODEL NUMBER**

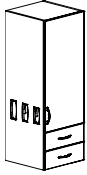
MM-122468SCDGBS

Exterior Chassis Finish	Door Finish	Door Edge Finish	Hinge Location	Hinge	Lock	Pull	Pull Finish
NW2	NW2	NW2	B3K	B3G	LCK1	Crest	MSL

**UPPER STORAGE CABINET WITH GLOVE BOX**

- Flat top
- 1 hinged door
- 2 box drawers
- 1 stationary shelf
- 1 adjustable shelf
- 3 glove box storage slots
- Glove box cutouts come standard in small, medium & large
- Metal interior glove box holders are included
- **NOTE** : the back of the glove box panel is white laminate
- All Mile Marker cabinetry is required to be anchored to a wall or floor. Installation hardware is not included with cabinets
- Awe pull available only on drawers. When Awe pull is selected for drawers, Pure pull is standard on door.

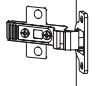


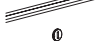
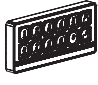
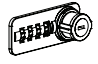







**UPPER STORAGE CABINET WITH GLOVE BOXES**



**18.25" DEEP MODELS**

model	w	d	h	wt	cu ft	List
MM-121835USCGB	12	18.25	35	60	6.1	\$ 1,375
MM-151835USCGB	15	18.25	35	63	7.4	\$ 1,404
MM-181835USCGB	18	18.25	35	65	8.7	\$ 1,432
MM-211835USCGB	21	18.25	35	68	10.0	\$ 1,464
MM-241835USCGB	24	18.25	35	70	11.3	\$ 1,483
MM-121838USCGB	12	18.25	38	63	6.6	\$ 1,406
MM-151838USCGB	15	18.25	38	68	8.0	\$ 1,435
MM-181838USCGB	18	18.25	38	70	9.4	\$ 1,465
MM-211838USCGB	21	18.25	38	73	10.8	\$ 1,496
MM-241838USCGB	24	18.25	38	78	12.2	\$ 1,516
MM-121841USCGB	12	18.25	41	65	7.1	\$ 1,438
MM-151841USCGB	15	18.25	41	68	8.6	\$ 1,468
MM-181841USCGB	18	18.25	41	70	10.1	\$ 1,497
MM-211841USCGB	21	18.25	41	73	11.6	\$ 1,530
MM-241841USCGB	24	18.25	41	75	13.1	\$ 1,551

**OPTIONS**

Exterior Chassis Finish	Door Finish	Door Edge Finish	Hinge Location	Hinge	Lock	Pull	Pull Finish	Drawer Liner
TFL Woodgrain Laminate <i>Quartered</i> QE2 DS2 PC2 EN2 CO2 ST2 NW2 <i>Flat Cut</i> LC2 KD2 MH2 MC2 VM2 LM2 BU2 BE2 <i>Textured Laminate</i> (10% upcharge) NG2 NH2  TFL Solid Color Laminate BL2 GR2 FW2 RW2	TFL Woodgrain Laminate <i>Quartered</i> QE2 DS2 PC2 EN2 CO2 ST2 NW2 <i>Flat Cut</i> LC2 KD2 MH2 MC2 VM2 LM2 BU2 BE2 <i>Textured Laminate</i> (10% upcharge) NG2 NH2  TFL Solid Color Laminate BL2 GR2 FW2 RW2	TFL Woodgrain Laminate <i>Quartered</i> QE2 DS2 PC2 EN2 CO2 ST2 NW2 <i>Flat Cut</i> LC2 KD2 MH2 MC2 VM2 LM2 BU2 BE2 <i>Textured Laminate</i> (10% upcharge) NG2 NH2  TFL Solid Color Laminate BL2 GR2 FW2 RW2	B3K Left B3L Right	B3G Euro Soft Close Standard   B3J 5 Knuckle   B3H Euro Knuckle \$44 	NL No Lock - Standard LCK1 Requires 1 Lock Core \$77   H5S Assigned User Keyless Lock \$338 H5T Shared User Keyless Lock \$338   KML1 Assigned User Keyless Mechanical Lock \$202 KML2 Shared User Keyless Mechanical Lock \$202   <b>NOTE:</b> LCK Locks ordered separately on page 5.	AS No Pull Crest  Era  Forte  Awe  Pure  Grip  B3D, SNCK Recessed (Satin Nickel Only) 	BWT Bone White CHLK Chalk MSL Luster Grey BKO Onyx SNCK Satin Nickel	Q3 None Q4 One Q5 Two

**HOW TO ORDER**

SPECIFY: Exterior chassis finish | door finish | door edge finish | hinge location | hinge | lock | pull | pull finish | drawer liner. See page 11 for a complete offering of finishes.

**MODEL NUMBER**

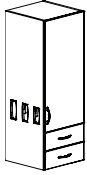
MM-121835USCGB

Exterior Chassis Finish	Door Finish	Door Edge Finish	Hinge Location	Hinge	Lock	Pull	Pull Finish	Drawer Liner
NW2	NW2	NW2	B3K	B3G	LCK1	Crest	MSL	Q3

**UPPER STORAGE CABINET WITH GLOVE BOX**

- Flat top
- 1 hinged door
- 2 box drawers
- 1 stationary shelf
- 1 adjustable shelf
- 3 glove box storage slots
- Glove box cutouts come standard in small, medium & large
- Metal interior glove box holders are included
- **NOTE** : the back of the glove box panel is white laminate
- All Mile Marker cabinetry is required to be anchored to a wall or floor. Installation hardware is not included with cabinets
- Awe pull available only on drawers. When Awe pull is selected for drawers, Pure pull is standard on door.

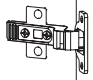


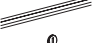

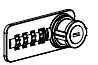
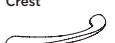



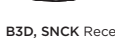


**UPPER STORAGE CABINET WITH GLOVE BOXES**



**18.25" DEEP MODELS**

model	w	d	h	wt	cu ft	List
MM-121844USCGB	12	18.25	44	68	7.5	\$ 1,470
MM-151844USCGB	15	18.25	44	70	9.2	\$ 1,501
MM-181844USCGB	18	18.25	44	73	10.8	\$ 1,531
MM-211844USCGB	21	18.25	44	75	12.4	\$ 1,564
MM-241844USCGB	24	18.25	44	78	14.0	\$ 1,586
MM-121847USCGB	12	18.25	47	70	8.0	\$ 1,503
MM-151847USCGB	15	18.25	47	73	9.8	\$ 1,534
MM-181847USCGB	18	18.25	47	75	11.5	\$ 1,565
MM-211847USCGB	21	18.25	47	78	13.2	\$ 1,600
MM-241847USCGB	24	18.25	47	80	14.9	\$ 1,622
MM-121850USCGB	12	18.25	50	73	8.5	\$ 1,537
MM-151850USCGB	15	18.25	50	75	10.4	\$ 1,569
MM-181850USCGB	18	18.25	50	78	12.2	\$ 1,601
MM-211850USCGB	21	18.25	50	80	14.0	\$ 1,637
MM-241850USCGB	24	18.25	50	83	15.8	\$ 1,659

**OPTIONS**

Exterior Chassis Finish	Door Finish	Door Edge Finish	Hinge Location	Hinge	Lock	Pull	Pull Finish	Drawer Liner
TFL Woodgrain Laminate <i>Quartered</i> QE2 DS2 PC2 EN2 CO2 ST2 NW2 <i>Flat Cut</i> LC2 KD2 MH2 MC2 VM2 LM2 BU2 BE2 <i>Textured Laminate</i> (10% upcharge) NG2 NH2  TFL Solid Color Laminate BL2 GR2 FW2 RW2	TFL Woodgrain Laminate <i>Quartered</i> QE2 DS2 PC2 EN2 CO2 ST2 NW2 <i>Flat Cut</i> LC2 KD2 MH2 MC2 VM2 LM2 BU2 BE2 <i>Textured Laminate</i> (10% upcharge) NG2 NH2  TFL Solid Color Laminate BL2 GR2 FW2 RW2	TFL Woodgrain Laminate <i>Quartered</i> QE2 DS2 PC2 EN2 CO2 ST2 NW2 <i>Flat Cut</i> LC2 KD2 MH2 MC2 VM2 LM2 BU2 BE2 <i>Textured Laminate</i> (10% upcharge) NG2 NH2  TFL Solid Color Laminate BL2 GR2 FW2 RW2	B3K Left B3L Right	B3G Euro Soft Close Standard   B3J 5 Knuckle   B3H Euro Knuckle \$44 	NL No Lock - Standard LCK1 Requires 1 Lock Core \$77   H5S Assigned User Keyless Lock \$338 H5T Shared User Keyless Lock \$338   KML1 Assigned User Keyless Mechanical Lock \$202 KML2 Shared User Keyless Mechanical Lock \$202   <b>NOTE:</b> LCK Locks ordered separately on page 5.	AS No Pull Crest  Era  Forte  Awe  Pure  Grip  B3D, SNCK Recessed (Satin Nickel Only) 	BWT Bone White CHLK Chalk MSL Luster Grey BKO Onyx SNCK Satin Nickel	Q3 None Q4 One Q5 Two

**HOW TO ORDER**

SPECIFY: Exterior chassis finish | door finish | door edge finish | hinge location | hinge | lock | pull | pull finish | drawer liner. See page 11 for a complete offering of finishes.

**MODEL NUMBER**

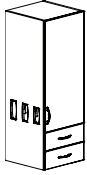
MM-121835USCGB

Exterior Chassis Finish	Door Finish	Door Edge Finish	Hinge Location	Hinge	Lock	Pull	Pull Finish	Drawer Liner
NW2	NW2	NW2	B3K	B3G	LCK1	Crest	MSL	Q3

**UPPER STORAGE CABINET WITH GLOVE BOX (CONT.)**

- Flat top
- 1 hinged door
- 2 box drawers
- 1 stationary shelf
- 1 adjustable shelf
- 3 glove box storage slots
- Glove box cutouts come standard in small, medium & large
- Metal interior glove box holders are included
- **NOTE** : the back of the glove box panel is white laminate
- All Mile Marker cabinetry is required to be anchored to a wall or floor. Installation hardware is not included with cabinets.
- Awe pull available only on drawers. When Awe pull is selected for drawers, Pure pull is standard on door.

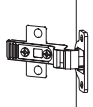



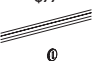

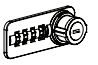


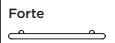
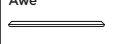



**UPPER STORAGE CABINET WITH GLOVE BOXES**



**24.25" DEEP MODELS**

model	w	d	h	wt	cu ft	List
MM-122435USCGB	12	24.25	35	65	7.9	\$ 1,531
MM-152435USCGB	15	24.25	35	68	9.6	\$ 1,545
MM-182435USCGB	18	24.25	35	70	11.2	\$ 1,558
MM-212435USCGB	21	24.25	35	73	12.9	\$ 1,588
MM-242435USCGB	24	24.25	35	75	14.6	\$ 1,601
MM-122438USCGB	12	24.25	38	68	8.5	\$ 1,566
MM-152438USCGB	15	24.25	38	73	10.3	\$ 1,579
MM-182438USCGB	18	24.25	38	75	12.2	\$ 1,593
MM-212438USCGB	21	24.25	38	78	14.0	\$ 1,623
MM-242438USCGB	24	24.25	38	83	15.8	\$ 1,638
MM-122441USCGB	12	24.25	41	70	9.1	\$ 1,602
MM-152441USCGB	15	24.25	41	73	11.1	\$ 1,614
MM-182441USCGB	18	24.25	41	75	13.1	\$ 1,630
MM-212441USCGB	21	24.25	41	78	15.0	\$ 1,661
MM-242441USCGB	24	24.25	41	80	17.0	\$ 1,675

**OPTIONS**

Exterior Chassis Finish	Door Finish	Door Edge Finish	Hinge Location	Hinge	Lock	Pull	Pull Finish	Drawer Liner
TFL Woodgrain Laminate <i>Quartered</i> QE2 DS2 PC2 EN2 CO2 ST2 NW2 <i>Flat Cut</i> LC2 KD2 MH2 MC2 VM2 LM2 BU2 BE2 <i>Textured Laminate</i> (10% upcharge) NG2 NH2  TFL Solid Color Laminate BL2 GR2 FW2 RW2	TFL Woodgrain Laminate <i>Quartered</i> QE2 DS2 PC2 EN2 CO2 ST2 NW2 <i>Flat Cut</i> LC2 KD2 MH2 MC2 VM2 LM2 BU2 BE2 <i>Textured Laminate</i> (10% upcharge) NG2 NH2  TFL Solid Color Laminate BL2 GR2 FW2 RW2	TFL Woodgrain Laminate <i>Quartered</i> QE2 DS2 PC2 EN2 CO2 ST2 NW2 <i>Flat Cut</i> LC2 KD2 MH2 MC2 VM2 LM2 BU2 BE2 <i>Textured Laminate</i> (10% upcharge) NG2 NH2  TFL Solid Color Laminate BL2 GR2 FW2 RW2	B3K Left B3L Right	B3G Euro Soft Close Standard   B3J 5 Knuckle   B3H Euro Knuckle   B3H Euro Knuckle 	NL No Lock - Standard LCK1 Requires 1 Lock Core \$77   H5S Assigned User Keyless Lock \$338 H5T Shared User Keyless Lock \$338   KML1 Assigned User Keyless Mechanical Lock \$202 KML2 Shared User Keyless Mechanical Lock \$202   <b>NOTE:</b> LCK Locks ordered separately on page 5.	AS No Pull Crest  Era  Forte  Awe  Pure  Grip  B3D, SNCK Recessed (Satin Nickel Only) 	BWT Bone White CHLK Chalk MSL Luster Grey BKO Onyx SNCK Satin Nickel	Q3 None Q4 One Q5 Two

**HOW TO ORDER**

SPECIFY: Exterior chassis finish | door finish | door edge finish | hinge location | hinge | lock | pull | pull finish | drawer liner. See page 11 for a complete offering of finishes.

**MODEL NUMBER**

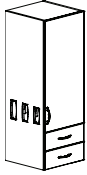
MM-122435USCGB

Exterior Chassis Finish	Door Finish	Door Edge Finish	Hinge Location	Hinge	Lock	Pull	Pull Finish	Drawer Liner
NW2	NW2	NW2	B3K	B3G	LCK1	Crest	MSL	Q3

**UPPER STORAGE CABINET WITH GLOVE BOX (CONT.)**

- Flat top
- 1 hinged door
- 2 box drawers
- 1 stationary shelf
- 1 adjustable shelf
- 3 glove box storage slots
- Glove box cutouts come standard in small, medium & large
- Metal interior glove box holders are included
- **NOTE** : the back of the glove box panel is white laminate
- All Mile Marker cabinetry is required to be anchored to a wall or floor. Installation hardware is not included with cabinets.
- Awe pull available only on drawers. When Awe pull is selected for drawers, Pure pull is standard on door.

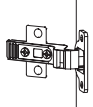

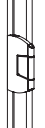
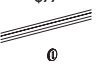

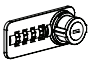




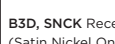


**UPPER STORAGE CABINET WITH GLOVE BOXES**



**24.25" DEEP MODELS**

model	w	d	h	wt	cu ft	List
MM-122444USCGB	12	24.25	44	73	9.8	\$ 1,639
MM-152444USCGB	15	24.25	44	75	11.9	\$ 1,652
MM-182444USCGB	18	24.25	44	78	14.0	\$ 1,666
MM-212444USCGB	21	24.25	44	80	16.1	\$ 1,698
MM-242444USCGB	24	24.25	44	83	18.2	\$ 1,714
MM-122447USCGB	12	24.25	47	75	10.4	\$ 1,675
MM-152447USCGB	15	24.25	47	78	12.7	\$ 1,689
MM-182447USCGB	18	24.25	47	80	14.9	\$ 1,706
MM-212447USCGB	21	24.25	47	83	17.1	\$ 1,834
MM-242447USCGB	24	24.25	47	85	19.4	\$ 1,752
MM-122450USCGB	12	24.25	50	78	11.1	\$ 1,714
MM-152450USCGB	15	24.25	50	80	13.4	\$ 1,727
MM-182450USCGB	18	24.25	50	83	15.8	\$ 1,744
MM-212450USCGB	21	24.25	50	85	18.2	\$ 1,777
MM-242450USCGB	24	24.25	50	88	20.5	\$ 1,792

**OPTIONS**

Exterior Chassis Finish	Door Finish	Door Edge Finish	Hinge Location	Hinge	Lock	Pull	Pull Finish	Drawer Liner
TFL Woodgrain Laminate <i>Quartered</i> QE2 DS2 PC2 EN2 CO2 ST2 NW2 <i>Flat Cut</i> LC2 KD2 MH2 MC2 VM2 LM2 BU2 BE2 <i>Textured Laminate</i> (10% upcharge) NG2 NH2  TFL Solid Color Laminate BL2 GR2 FW2 RW2	TFL Woodgrain Laminate <i>Quartered</i> QE2 DS2 PC2 EN2 CO2 ST2 NW2 <i>Flat Cut</i> LC2 KD2 MH2 MC2 VM2 LM2 BU2 BE2 <i>Textured Laminate</i> (10% upcharge) NG2 NH2  TFL Solid Color Laminate BL2 GR2 FW2 RW2	TFL Woodgrain Laminate <i>Quartered</i> QE2 DS2 PC2 EN2 CO2 ST2 NW2 <i>Flat Cut</i> LC2 KD2 MH2 MC2 VM2 LM2 BU2 BE2 <i>Textured Laminate</i> (10% upcharge) NG2 NH2  TFL Solid Color Laminate BL2 GR2 FW2 RW2	B3K Left B3L Right	B3G Euro Soft Close Standard   B3J 5 Knuckle   B3H Euro Knuckle \$44 	NL No Lock - Standard LCK1 Requires 1 Lock Core \$77   H5S Assigned User Keyless Lock \$338 H5T Shared User Keyless Lock \$338   KML1 Assigned User Keyless Mechanical Lock \$202 KML2 Shared User Keyless Mechanical Lock \$202   <b>NOTE:</b> LCK Locks ordered separately on page 5.	AS No Pull Crest  Era  Forte  Awe  Pure  Grip  B3D, SNCK Recessed (Satin Nickel Only) 	BWT Bone White CHLK Chalk MSL Luster Grey BKO Onyx SNCK Satin Nickel	Q3 None Q4 One Q5 Two

**HOW TO ORDER**

SPECIFY: Exterior chassis finish | door finish | door edge finish | hinge location | hinge | lock | pull | pull finish | drawer liner. See page 11 for a complete offering of finishes.

**MODEL NUMBER**

MM-122435USCGB

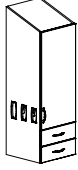
Exterior Chassis Finish	Door Finish	Door Edge Finish	Hinge Location	Hinge	Lock	Pull	Pull Finish	Drawer Liner
NW2	NW2	NW2	B3K	B3G	LCK1	Crest	MSL	Q3



**UPPER STORAGE CABINET WITH GLOVE BOX**

- Sloped top
- 1 hinged door
- 2 box drawers
- 1 stationary shelf
- 1 adjustable shelf
- 3 glove box storage slots
- Glove box cutouts come standard in small, medium & large
- **NOTE** : the back of the glove box panel is white laminate
- Metal interior glove box holders are included
- All Mile Marker cabinetry is required to be anchored to a wall or floor. Installation hardware is not included with cabinets.

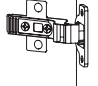

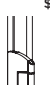

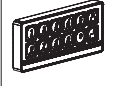
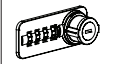







**UPPER STORAGE CABINET WITH SLOPED TOP AND GLOVE BOXES**



**18.25" DEEP MODELS**

model	w	d	h	wt	cu ft	List
MM-121841USCGBS	12	18.25	41.5	60	7.1	\$ 1,470
MM-151841USCGBS	15	18.25	41.5	63	8.7	\$ 1,501
MM-181841USCGBS	18	18.25	41.5	65	10.2	\$ 1,531
MM-211841USCGBS	21	18.25	41.5	68	11.7	\$ 1,564
MM-241841USCGBS	24	18.25	41.5	70	13.3	\$ 1,586
MM-121844USCGBS	12	18.25	44.5	63	7.6	\$ 1,503
MM-151844USCGBS	15	18.25	44.5	68	9.3	\$ 1,534
MM-181844USCGBS	18	18.25	44.5	70	10.9	\$ 1,565
MM-211844USCGBS	21	18.25	44.5	73	12.5	\$ 1,600
MM-241844USCGBS	24	18.25	44.5	78	14.2	\$ 1,622
MM-121847USCGBS	12	18.25	47.5	65	8.1	\$ 1,537
MM-151847USCGBS	15	18.25	47.5	68	9.9	\$ 1,569
MM-181847USCGBS	18	18.25	47.5	70	11.6	\$ 1,601
MM-211847USCGBS	21	18.25	47.5	73	13.3	\$ 1,637
MM-241847USCGBS	24	18.25	47.5	75	15.1	\$ 1,659

**OPTIONS**

Exterior Chassis Finish	Door Finish	Door Edge Finish	Hinge Location	Hinge	Lock	Pull	Pull Finish	Drawer Liner
TFL Woodgrain Laminate <i>Quartered</i> QE2 DS2 PC2 EN2 CO2 ST2 NW2 <i>Flat Cut</i> LC2 KD2 MH2 MC2 VM2 LM2 BU2 BE2 <i>Textured Laminate</i> (10% upcharge) NG2 NH2 TFL Solid Color Laminate BL2 GR2 FW2 RW2	TFL Woodgrain Laminate <i>Quartered</i> QE2 DS2 PC2 EN2 CO2 ST2 NW2 <i>Flat Cut</i> LC2 KD2 MH2 MC2 VM2 LM2 BU2 BE2 <i>Textured Laminate</i> (10% upcharge) NG2 NH2 TFL Solid Color Laminate BL2 GR2 FW2 RW2	TFL Woodgrain Laminate <i>Quartered</i> QE2 DS2 PC2 EN2 CO2 ST2 NW2 <i>Flat Cut</i> LC2 KD2 MH2 MC2 VM2 LM2 BU2 BE2 <i>Textured Laminate</i> (10% upcharge) NG2 NH2 TFL Solid Color Laminate BL2 GR2 FW2 RW2	B3K Left B3L Right	B3G Euro Soft Close Standard  B3J 5 Knuckle  B3H Euro Knuckle \$44 	NL No Lock - Standard LCK1 Requires 1 Lock Core \$77  H5S Assigned User Keyless Lock \$338 H5T Shared User Keyless Lock \$338  KML1 Assigned User Keyless Mechanical Lock \$202 KML2 Shared User Keyless Mechanical Lock \$202  <b>NOTE:</b> LCK Locks ordered separately on page 5.	AS No Pull Crest  Era  Forte  Awe  Pure  Grip  B3D, SNCK Recessed (Satin Nickel Only) 	BWT Bone White CHLK Chalk MSL Luster Grey BKO Onyx SNCK Satin Nickel	Q3 None Q4 One Q5 Two

**HOW TO ORDER**

SPECIFY: Exterior chassis finish | door finish | door edge finish | hinge location | hinge | lock | pull | pull finish | drawer liner. See page 11 for a complete offering of finishes.

**MODEL NUMBER**

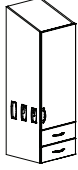
MM-121841USCGBS

Exterior Chassis Finish	Door Finish	Door Edge Finish	Hinge Location	Hinge	Lock	Pull	Pull Finish	Drawer Liner
NW2	NW2	NW2	B3K	B3G	LCK1	Crest	MSL	Q3

**UPPER STORAGE CABINET WITH GLOVE BOX**

- Sloped top
- 1 hinged door
- 2 box drawers
- 1 stationary shelf
- 1 adjustable shelf
- 3 glove box storage slots
- Glove box cutouts come standard in small, medium & large
- **NOTE** : the back of the glove box panel is white laminate
- Metal interior glove box holders are included
- All Mile Marker cabinetry is required to be anchored to a wall or floor. Installation hardware is not included with cabinets.

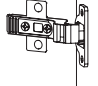



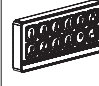
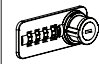


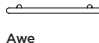

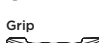


**UPPER STORAGE CABINET WITH SLOPED TOP AND GLOVE BOXES**



**18.25" DEEP MODELS**

model	w	d	h	wt	cu ft	List
MM-121850USCGBS	12	18.25	50.5	68	8.6	\$ 1,572
MM-151850USCGBS	15	18.25	50.5	70	10.5	\$ 1,606
MM-181850USCGBS	18	18.25	50.5	73	12.3	\$ 1,638
MM-211850USCGBS	21	18.25	50.5	75	14.2	\$ 1,674
MM-241850USCGBS	24	18.25	50.5	78	16.0	\$ 1,696
MM-121853USCGBS	12	18.25	53.5	70	9.1	\$ 1,609
MM-151853USCGBS	15	18.25	53.5	73	11.1	\$ 1,642
MM-181853USCGBS	18	18.25	53.5	75	13.0	\$ 1,675
MM-211853USCGBS	21	18.25	53.5	78	15.0	\$ 1,712
MM-241853USCGBS	24	18.25	53.5	80	16.9	\$ 1,736
MM-121856USCGBS	12	18.25	56.5	73	9.6	\$ 1,645
MM-151856USCGBS	15	18.25	56.5	75	11.7	\$ 1,680
MM-181856USCGBS	18	18.25	56.5	78	13.7	\$ 1,714
MM-211856USCGBS	21	18.25	56.5	80	15.8	\$ 1,751
MM-241856USCGBS	24	18.25	56.5	83	17.8	\$ 1,775

**OPTIONS**

Exterior Chassis Finish	Door Finish	Door Edge Finish	Hinge Location	Hinge	Lock	Pull	Pull Finish	Drawer Liner
TFL Woodgrain Laminate <i>Quartered</i> QE2 DS2 PC2 EN2 CO2 ST2 NW2 <i>Flat Cut</i> LC2 KD2 MH2 MC2 VM2 LM2 BU2 BE2 <i>Textured Laminate</i> (10% upcharge) NG2 NH2 TFL Solid Color Laminate BL2 GR2 FW2 RW2	TFL Woodgrain Laminate <i>Quartered</i> QE2 DS2 PC2 EN2 CO2 ST2 NW2 <i>Flat Cut</i> LC2 KD2 MH2 MC2 VM2 LM2 BU2 BE2 <i>Textured Laminate</i> (10% upcharge) NG2 NH2 TFL Solid Color Laminate BL2 GR2 FW2 RW2	TFL Woodgrain Laminate <i>Quartered</i> QE2 DS2 PC2 EN2 CO2 ST2 NW2 <i>Flat Cut</i> LC2 KD2 MH2 MC2 VM2 LM2 BU2 BE2 <i>Textured Laminate</i> (10% upcharge) NG2 NH2 TFL Solid Color Laminate FW2 RW2	B3K Left B3L Right	B3G Euro Soft Close Standard  B3J 5 Knuckle  B3H Euro Knuckle \$44 	NL No Lock - Standard LCK1 Requires 1 Lock Core \$77  H5S Assigned User Keyless Lock \$338 H5T Shared User Keyless Lock \$338  KML1 Assigned User Keyless Mechanical Lock \$202 KML2 Shared User Keyless Mechanical Lock \$202  <b>NOTE:</b> LCK Locks ordered separately on page 5.	AS No Pull Crest  Era  Forte  Awe  Pure  Grip  B3D, SNCK Recessed (Satin Nickel Only) 	BWT Bone White CHLK Chalk MSL Luster Grey BKO Onyx SNCK Satin Nickel	Q3 None Q4 One Q5 Two

**HOW TO ORDER**

SPECIFY: Exterior chassis finish | door finish | door edge finish | hinge location | hinge | lock | pull | pull finish | drawer liner. See page 11 for a complete offering of finishes.

**MODEL NUMBER**

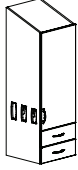
MM-121841USCGBS

Exterior Chassis Finish	Door Finish	Door Edge Finish	Hinge Location	Hinge	Lock	Pull	Pull Finish	Drawer Liner
NW2	NW2	NW2	B3K	B3G	LCK1	Crest	MSL	Q3

**UPPER STORAGE CABINET WITH GLOVE BOX (CONT.)**

- Sloped top
- 1 hinged door
- 2 box drawers
- 1 stationary shelf
- 1 adjustable shelf
- Glove box cutouts come standard in small, medium & large
- All Mile Marker cabinetry is required to be anchored to a wall or floor. Installation hardware is not included with cabinets.
- Awe pull available only on drawers. When Awe pull is selected for drawers, Pure pull is standard on door.
- **NOTE** : the back of the glove box panel is white laminate

**UPPER STORAGE CABINET WITH SLOPED GLOVE BOXES**



**24.25" DEEP MODELS**

model	w	d	h	wt	cu ft	List
MM-122443USCGBS	12	24.25	43.5	65	9.7	\$ 1,639
MM-152443USCGBS	15	24.25	43.5	68	11.8	\$ 1,652
MM-182443USCGBS	18	24.25	43.5	70	13.8	\$ 1,666
MM-212443USCGBS	21	24.25	43.5	73	15.9	\$ 1,698
MM-242443USCGBS	24	24.25	43.5	75	18.0	\$ 1,714
MM-122446USCGBS	12	24.25	46.5	68	10.3	\$ 1,675
MM-152446USCGBS	15	24.25	46.5	73	12.5	\$ 1,689
MM-182446USCGBS	18	24.25	46.5	75	14.7	\$ 1,706
MM-212446USCGBS	21	24.25	46.5	78	16.9	\$ 1,738
MM-242446USCGBS	24	24.25	46.5	83	19.2	\$ 1,752
MM-122449USCGBS	12	24.25	49.5	70	11.0	\$ 1,714
MM-152449USCGBS	15	24.25	49.5	73	13.3	\$ 1,727
MM-182449USCGBS	18	24.25	49.5	75	15.6	\$ 1,744
MM-212449USCGBS	21	24.25	49.5	78	18.0	\$ 1,777
MM-242449USCGBS	24	24.25	49.5	80	20.3	\$ 1,792

**OPTIONS**

Exterior Chassis Finish	Door Finish	Door Edge Finish	Hinge Location	Hinge	Lock	Pull	Pull Finish	Drawer Liner
TFL Woodgrain Laminate <i>Quartered</i> QE2 DS2 PC2 EN2 CO2 ST2 NW2 <i>Flat Cut</i> LC2 KD2 MH2 MC2 VM2 LM2 BU2 BE2 <i>Textured Laminate</i> (10% upcharge) NG2 NH2  TFL Solid Color Laminate BL2 GR2 FW2 RW2	TFL Woodgrain Laminate <i>Quartered</i> QE2 DS2 PC2 EN2 CO2 ST2 NW2 <i>Flat Cut</i> LC2 KD2 MH2 MC2 VM2 LM2 BU2 BE2 <i>Textured Laminate</i> (10% upcharge) NG2 NH2  TFL Solid Color Laminate BL2 GR2 FW2 RW2	TFL Woodgrain Laminate <i>Quartered</i> QE2 DS2 PC2 EN2 CO2 ST2 NW2 <i>Flat Cut</i> LC2 KD2 MH2 MC2 VM2 LM2 BU2 BE2 <i>Textured Laminate</i> (10% upcharge) NG2 NH2  TFL Solid Color Laminate BL2 GR2 FW2 RW2	B3K Left B3L Right	B3G Euro Soft Close Standard  B3J 5 Knuckle  B3H Euro Knuckle \$44 	NL No Lock - Standard LCK1 Requires 1 Lock Core \$77  H55 Assigned User Keyless Lock \$338 H5T Shared User Keyless Lock \$338  KML1 Assigned User Keyless Mechanical Lock \$202 KML2 Shared User Keyless Mechanical Lock \$202    NOTE: LCK Locks ordered separately on page 5.	AS No Pull Crest  Era  Forte  Awe  Pure  Grip  B3D, SNCK Recessed (Satin Nickel Only) 	BWT Bone White CHLK Chalk MSL Luster Grey BKO Onyx SNCK Satin Nickel	Q3 None Q4 One Q5 Two

**HOW TO ORDER**

SPECIFY: Exterior chassis finish | door finish | door edge finish | hinge location | hinge | lock | pull | pull finish | drawer liner. See page 11 for a complete offering of finishes.

**MODEL NUMBER**

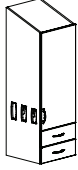
MM-122443USCGBS

Exterior Chassis Finish	Door Finish	Door Edge Finish	Hinge Location	Hinge	Lock	Pull	Pull Finish	Drawer Liner
NW2	NW2	NW2	B3K	B3G	LCK1	Crest	MSL	Q3

**UPPER STORAGE CABINET WITH GLOVE BOX (CONT.)**

- Sloped top
- 1 hinged door
- 2 box drawers
- 1 stationary shelf
- 1 adjustable shelf
- Glove box cutouts come standard in small, medium & large
- All Mile Marker cabinetry is required to be anchored to a wall or floor. Installation hardware is not included with cabinets.
- Awe pull available only on drawers. When Awe pull is selected for drawers, Pure pull is standard on door.
- **NOTE** : the back of the glove box panel is white laminate

**UPPER STORAGE CABINET WITH SLOPED GLOVE BOXES**



**24.25" DEEP MODELS**

model	w	d	h	wt	cu ft	List
MM-122452USCGBS	12	24.25	52.5	73	11.6	\$ 1,752
MM-152452USCGBS	15	24.25	52.5	75	14.1	\$ 1,768
MM-182452USCGBS	18	24.25	52.5	78	16.6	\$ 1,783
MM-212452USCGBS	21	24.25	52.5	80	19.0	\$ 1,818
MM-242452USCGBS	24	24.25	52.5	83	21.5	\$ 1,834
MM-122455USCGBS	12	24.25	55.5	75	12.2	\$ 1,793
MM-152455USCGBS	15	24.25	55.5	78	14.8	\$ 1,807
MM-182455USCGBS	18	24.25	55.5	80	17.5	\$ 1,825
MM-212455USCGBS	21	24.25	55.5	83	20.1	\$ 1,860
MM-242455USCGBS	24	24.25	55.5	85	22.7	\$ 1,876
MM-122458USCGBS	12	24.25	58.5	78	12.9	\$ 1,834
MM-152458USCGBS	15	24.25	58.5	90	15.6	\$ 1,849
MM-182458USCGBS	18	24.25	58.5	83	18.4	\$ 1,868
MM-212458USCGBS	21	24.25	58.5	85	21.1	\$ 1,903
MM-242458USCGBS	24	24.25	58.5	88	23.9	\$ 1,918

**OPTIONS**

Exterior Chassis Finish	Door Finish	Door Edge Finish	Hinge Location	Hinge	Lock	Pull	Pull Finish	Drawer Liner
TFL Woodgrain Laminate <i>Quartered</i> QE2 DS2 PC2 EN2 CO2 ST2 NW2 <i>Flat Cut</i> LC2 KD2 MH2 MC2 VM2 LM2 BU2 BE2 <i>Textured Laminate</i> (10% upcharge) NG2 NH2 TFL Solid Color Laminate BL2 GR2 FW2 RW2	TFL Woodgrain Laminate <i>Quartered</i> QE2 DS2 PC2 EN2 CO2 ST2 NW2 <i>Flat Cut</i> LC2 KD2 MH2 MC2 VM2 LM2 BU2 BE2 <i>Textured Laminate</i> (10% upcharge) NG2 NH2 TFL Solid Color Laminate BL2 GR2 FW2 RW2	TFL Woodgrain Laminate <i>Quartered</i> QE2 DS2 PC2 EN2 CO2 ST2 NW2 <i>Flat Cut</i> LC2 KD2 MH2 MC2 VM2 LM2 BU2 BE2 <i>Textured Laminate</i> (10% upcharge) NG2 NH2 TFL Solid Color Laminate BL2 GR2 FW2 RW2	B3K Left B3L Right	B3G Euro Soft Close Standard  B3J 5 Knuckle  B3H Euro Knuckle \$44 	NL No Lock - Standard LCK1 Requires 1 Lock Core \$77  H55 Assigned User Keyless Lock \$338 H5T Shared User Keyless Lock \$338  KML1 Assigned User Keyless Mechanical Lock \$202 KML2 Shared User Keyless Mechanical Lock \$202   <b>NOTE:</b> LCK Locks ordered separately on page 5.	AS No Pull Crest  Era  Forte  Awe  Pure  Grip  B3D, SNCK Recessed (Satin Nickel Only) 	BWT Bone White CHLK Chalk MSL Luster Grey BKO Onyx SNCK Satin Nickel	Q3 None Q4 One Q5 Two

**HOW TO ORDER**

SPECIFY: Exterior chassis finish | door finish | door edge finish | hinge location | hinge | lock | pull | pull finish | drawer liner. See page 11 for a complete offering of finishes.

**MODEL NUMBER**

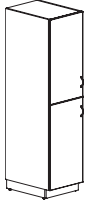
MM-122443USCGBS

Exterior Chassis Finish	Door Finish	Door Edge Finish	Hinge Location	Hinge	Lock	Pull	Pull Finish	Drawer Liner
NW2	NW2	NW2	B3K	B3G	LCK1	Crest	MSL	Q3

**STORAGE CABINETS LOCKERS**

- Flat top
- 2 hinged doors
- 4" recessed toe kick
- Adjustable levelers
- May be installed alone or with multiple cabinets
- In order to complete installation, either cove molding or toe kick rail must be adhered. Order cove molding separately, preferably from a local supplier early in the project. See pages 44 and 45 for toe kick rail offerings.
- All Mile Marker cabinetry is required to be anchored to a wall or floor. Installation hardware is not included with cabinets.

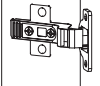
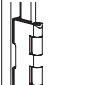
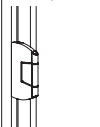


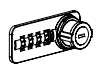



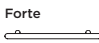



**STORAGE LOCKER WITH 2 DOORS**



**14" DEEP MODELS**

model	w	d	h	wt	cu ft	List
MM-121460SCD2	12	14	60	115	8.0	\$ 784
MM-151460SCD2	15	14	60	118	9.8	\$ 826
MM-181460SCD2	18	14	60	120	11.5	\$ 865
MM-211460SCD2	21	14	60	123	13.2	\$ 866
MM-241460SCD2	24	14	60	125	14.9	\$ 945
MM-121466SCD2	12	14	66	120	8.8	\$ 840
MM-151466SCD2	15	14	66	123	10.7	\$ 885
MM-181466SCD2	18	14	66	125	12.6	\$ 929
MM-211466SCD2	21	14	66	128	14.5	\$ 933
MM-241466SCD2	24	14	66	130	16.4	\$ 1,014
MM-121472SCD2	12	14	72	125	9.6	\$ 903
MM-151472SCD2	15	14	72	128	11.6	\$ 938
MM-181472SCD2	18	14	72	130	13.7	\$ 972
MM-211472SCD2	21	14	72	133	15.8	\$ 1,015
MM-241472SCD2	24	14	72	135	17.8	\$ 1,135

**OPTIONS**

Exterior Chassis Finish	Door Finish	Door Edge Finish	Hinge Location	Hinge	Interior Options	Lock	Pull	Pull Finish	Power
TFL Woodgrain Laminate <i>Quartered</i> QE2 DS2 PC2 EN2 CO2 ST2 NW2 <i>Flat Cut</i> LC2 KD2 MH2 MC2 VM2 LM2 BU2 BE2 QR2 <i>Textured Laminate (10% upcharge)</i> NG2 NH2 TFL Solid Color Laminate BL2 GR2 SG2 FW2 RW2	TFL Woodgrain Laminate <i>Quartered</i> QE2 DS2 PC2 EN2 CO2 ST2 NW2 <i>Flat Cut</i> LC2 KD2 MH2 MC2 VM2 LM2 BU2 BE2 QR2 <i>Textured Laminate (10% upcharge)</i> NG2 NH2 TFL Solid Color Laminate BL2 GR2 SG2 FW2 RW2	TFL Woodgrain Laminate <i>Quartered</i> QE2 DS2 PC2 EN2 CO2 ST2 NW2 <i>Flat Cut</i> LC2 KD2 MH2 MC2 VM2 LM2 BU2 BE2 QR2 <i>Textured Laminate (10% upcharge)</i> NG2 NH2 TFL Solid Color Laminate BL2 GR2 SG2 FW2 RW2	B3K Left B3L Right	B3G Euro Soft Close Standard  B3J 5 Knuckle  B3H Euro Knuckle \$58 	X9 None <b>Standard</b> A4S Coat Hooks \$53 R7 Hanging Bar (24" deep models only) \$81 R8 Two Adjustable Shelves \$172 B3N Two Fixed Shelves \$172	NL No Lock - <b>Standard</b> LCK2 Requires 2 Lock Core \$154  H5S Assigned User Keyless Lock \$673 H5T Shared User Keyless Lock \$673  KML1 Assigned User Keyless Mechanical Lock \$404 KML2 Shared User Keyless Mechanical Lock \$404  PHL1 Pad Lock Hasp \$173  <b>NOTE:</b> LCK Locks ordered separately on page 5.	AS No Pull <b>Crest</b>  Era  Forte  Pure  Grip  B3D, SNCK Recessed (Satin Nickel Only) 	BWT Bone White CHLK Chalk Luster Grey MSL Onyx BKO Satin Nickel SNCK	X9 None RM Power <b>\$598</b> H6K Daisy Chainable Power <b>\$663</b> <b>NOTE:</b> Power feeds and jumpers are purchased separately on page 261.

**HOW TO ORDER**

SPECIFY: Exterior chassis finish | door finish | door edge finish | hinge location | hinge | interior options | lock | pull | pull finish | power. See page 11 for a complete offering of finishes.

**MODEL NUMBER**

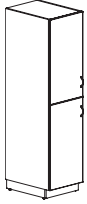
MM-121460SCD2

Exterior Chassis Finish	Door Finish	Door Edge Finish	Hinge Location	Hinge	Interior Options	Lock	Pull	Pull Finish	Power
NW2	NW2	NW2	B3K	B3G	R8	LCK2	Crest	MSL	RM

**STORAGE CABINETS LOCKERS**

- Flat top
- 2 hinged doors
- 4" recessed toe kick
- Adjustable levelers
- May be installed alone or with multiple cabinets
- In order to complete installation, either cove molding or toe kick rail must be adhered. Order cove molding separately, preferably from a local supplier early in the project. See pages 44 and 45 for toe kick rail offerings.
- All Mile Marker cabinetry is required to be anchored to a wall or floor. Installation hardware is not included with cabinets.

**STORAGE LOCKER WITH 2 DOORS**



**14" DEEP MODELS**

model	w	d	h	wt	cu ft	List
MM-121478SCD2	12	14	78	130	10.4	\$ 960
MM-151478SCD2	15	14	78	133	12.6	\$ 1,036
MM-181478SCD2	18	14	78	135	14.8	\$ 1,108
MM-211478SCD2	21	14	78	138	17.0	\$ 1,146
MM-241478SCD2	24	14	78	140	19.3	\$ 1,260
MM-121484SCD2	12	14	84	135	11.1	\$ 1,089
MM-151484SCD2	15	14	84	138	13.5	\$ 1,181
MM-181484SCD2	18	14	84	140	15.9	\$ 1,271
MM-211484SCD2	21	14	84	143	18.3	\$ 1,307
MM-241484SCD2	24	14	84	145	20.7	\$ 1,420

**OPTIONS**

Exterior Chassis Finish	Door Finish	Door Edge Finish	Hinge Location	Hinge	Interior Options	Lock	Pull	Pull Finish	Power
TFL Woodgrain Laminate <i>Quartered</i> QE2 DS2 PC2 EN2 CO2 ST2 NW2 <i>Flat Cut</i> LC2 KD2 MH2 MC2 VM2 LM2 BU2 BE2 QR2 <i>Textured Laminate (10% upcharge)</i> NG2 NH2 TFL Solid Color Laminate BL2 GR2 SG2 FW2 RW2	TFL Woodgrain Laminate <i>Quartered</i> QE2 DS2 PC2 EN2 CO2 ST2 NW2 <i>Flat Cut</i> LC2 KD2 MH2 MC2 VM2 LM2 BU2 BE2 QR2 <i>Textured Laminate (10% upcharge)</i> NG2 NH2 TFL Solid Color Laminate BL2 GR2 SG2 FW2 RW2	TFL Woodgrain Laminate <i>Quartered</i> QE2 DS2 PC2 EN2 CO2 ST2 NW2 <i>Flat Cut</i> LC2 KD2 MH2 MC2 VM2 LM2 BU2 BE2 QR2 <i>Textured Laminate (10% upcharge)</i> NG2 NH2 TFL Solid Color Laminate BL2 GR2 SG2 FW2 RW2	B3K Left B3L Right	B3G Euro Soft Close Standard  B3J 5 Knuckle  B3H Euro Knuckle \$58 	X9 None <b>Standard</b> A4S Coat Hooks \$53 R7 Hanging Bar (24" deep models only) \$81 R8 Two Adjustable Shelves \$172 B3N Two Fixed Shelves \$172	NL No Lock - <b>Standard</b> LCK2 Requires 2 Lock Core \$154  H5S Assigned User Keyless Lock \$673 H5T Shared User Keyless Lock \$673  KML1 Assigned User Keyless Mechanical Lock \$404 KML2 Shared User Keyless Mechanical Lock \$404  PHL1 Pad Lock Hasp \$173  <b>NOTE:</b> LCK Locks ordered separately on page 5.	AS No Pull <b>Crest</b>  Era  Forte  Pure  Grip  B3D, SNCK Recessed (Satin Nickel Only) 	BWT Bone White CHLK Chalk MSL Luster Grey BKO Onyx SNCK Satin Nickel	X9 None RM Power <b>\$598</b> H6K Daisy Chainable Power <b>\$663</b>  <b>NOTE:</b> Power feeds and jumpers are purchased separately on page 261.

**HOW TO ORDER**

SPECIFY: Exterior chassis finish | door finish | door edge finish | hinge location | hinge | interior options | lock | pull | pull finish | power. See page 11 for a complete offering of finishes.

**MODEL NUMBER**

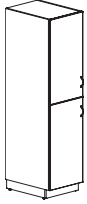
MM-121460SCD2

Exterior Chassis Finish	Door Finish	Door Edge Finish	Hinge Location	Hinge	Interior Options	Lock	Pull	Pull Finish	Power
NW2	NW2	NW2	B3K	B3G	R8	LCK2	Crest	MSL	RM

**STORAGE CABINETS LOCKERS (CONT.)**

- Flat top
- 2 hinged doors
- 4" recessed toe kick
- Adjustable levelers
- May be installed alone or with multiple cabinets
- In order to complete installation, either cove molding or toe kick rail must be adhered. Order cove molding separately, preferably from a local supplier early in the project. See pages 44 and 45 for toe kick rail offerings.
- All Mile Marker cabinetry is required to be anchored to a wall or floor. Installation hardware is not included with cabinets.

**STORAGE LOCKER WITH 2 DOORS**



**18.25" DEEP MODELS**

model	w	d	h	wt	cu ft	List
MM-121860SCD2	12	18.25	60	120	10.2	\$ 847
MM-151860SCD2	15	18.25	60	123	12.4	\$ 891
MM-181860SCD2	18	18.25	60	125	14.5	\$ 934
MM-211860SCD2	21	18.25	60	128	16.7	\$ 972
MM-241860SCD2	24	18.25	60	130	18.9	\$ 1,085
MM-121866SCD2	12	18.25	66	125	11.2	\$ 908
MM-151866SCD2	15	18.25	66	128	13.5	\$ 955
MM-181866SCD2	18	18.25	66	130	15.9	\$ 1,000
MM-211866SCD2	21	18.25	66	133	18.3	\$ 1,045
MM-241866SCD2	24	18.25	66	135	20.7	\$ 1,165
MM-121872SCD2	12	18.25	72	130	12.1	\$ 977
MM-151872SCD2	15	18.25	72	133	14.7	\$ 1,054
MM-181872SCD2	18	18.25	72	135	17.3	\$ 1,132
MM-211872SCD2	21	18.25	72	138	19.9	\$ 1,199
MM-241872SCD2	24	18.25	72	140	22.5	\$ 1,342

**OPTIONS**

Exterior Chassis Finish	Door Finish	Door Edge Finish	Hinge Location	Hinge	Interior Options	Lock	Pull	Pull Finish	Power
TFL Woodgrain Laminate <i>Quartered</i> QE2 DS2 PC2 EN2 CO2 ST2 NW2 <i>Flat Cut</i> LC2 KD2 MH2 MC2 VM2 LM2 BU2 BE2 QR2 <i>Textured Laminate (10% upcharge)</i> NG2 NH2 TFL Solid Color Laminate BL2 GR2 SG2 FW2 RW2	TFL Woodgrain Laminate <i>Quartered</i> QE2 DS2 PC2 EN2 CO2 ST2 NW2 <i>Flat Cut</i> LC2 KD2 MH2 MC2 VM2 LM2 BU2 BE2 QR2 <i>Textured Laminate (10% upcharge)</i> NG2 NH2 TFL Solid Color Laminate BL2 GR2 SG2 FW2 RW2	TFL Woodgrain Laminate <i>Quartered</i> QE2 DS2 PC2 EN2 CO2 ST2 NW2 <i>Flat Cut</i> LC2 KD2 MH2 MC2 VM2 LM2 BU2 BE2 QR2 <i>Textured Laminate (10% upcharge)</i> NG2 NH2 TFL Solid Color Laminate BL2 GR2 SG2 FW2 RW2	B3K Left B3L Right	B3G Euro Soft Close Standard  B3J 5 Knuckle  B3H Euro Knuckle \$58 	X9 None Standard A4S Coat Hooks \$53 R7 Hanging Bar (24" deep models only) \$81 R8 Two Adjustable Shelves \$172 B3N Two Fixed Shelves \$172	NL No Lock - Standard LCK2 Requires 2 Lock Core \$154  H5S Assigned User Keyless Lock \$673 H5T Shared User Keyless Lock \$673  KML1 Assigned User Keyless Mechanical Lock \$404 KML2 Shared User Keyless Mechanical Lock \$404  PHL1 Pad Lock Hasp \$173  <b>NOTE: LCK Locks ordered separately on page 5.</b>	AS No Pull Crest  Era  Forte  Pure  Grip  B3D, SNCK Recessed (Satin Nickel Only) 	BWT Bone White CHLK Chalk MSL Luster Grey BKO Onyx SNCK Satin Nickel	X9 None RM Power \$598 H6K Daisy Chainable Power \$663 <b>NOTE: Power feeds and jumpers are purchased separately on page 261.</b>

**HOW TO ORDER**

SPECIFY: Exterior chassis finish | door finish | door edge finish | hinge location | hinge | interior options | lock | pull | pull finish | power. See page 11 for a complete offering of finishes.

**MODEL NUMBER**

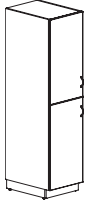
MM-121860SCD2

Exterior Chassis Finish	Door Finish	Door Edge Finish	Hinge Location	Hinge	Interior Options	Lock	Pull	Pull Finish	Power
NW2	NW2	NW2	B3K	B3G	R8	LCK2	Crest	MSL	RM

**STORAGE CABINETS LOCKERS (CONT.)**

- Flat top
- 2 hinged doors
- 4" recessed toe kick
- Adjustable levelers
- May be installed alone or with multiple cabinets
- In order to complete installation, either cove molding or toe kick rail must be adhered. Order cove molding separately, preferably from a local supplier early in the project. See pages 44 and 45 for toe kick rail offerings.
- All Mile Marker cabinetry is required to be anchored to a wall or floor. Installation hardware is not included with cabinets.

**STORAGE LOCKER WITH 2 DOORS**



**18.25" DEEP MODELS**

model	w	d	h	wt	cu ft	List
MM-121878SCD2	12	18.25	78	135	13.1	\$ 1,099
MM-151878SCD2	15	18.25	78	138	15.9	\$ 1,181
MM-181878SCD2	18	18.25	78	140	18.8	\$ 1,264
MM-211878SCD2	21	18.25	78	143	21.6	\$ 1,327
MM-241878SCD2	24	18.25	78	145	24.4	\$ 1,468
MM-121884SCD2	12	18.25	84	140	14.1	\$ 1,219
MM-151884SCD2	15	18.25	84	143	17.1	\$ 1,308
MM-181884SCD2	18	18.25	84	145	20.2	\$ 1,397
MM-211884SCD2	21	18.25	84	148	23.2	\$ 1,503
MM-241884SCD2	24	18.25	84	150	26.2	\$ 1,687

**OPTIONS**

Exterior Chassis Finish	Door Finish	Door Edge Finish	Hinge Location	Hinge	Interior Options	Lock	Pull	Pull Finish	Power
TFL Woodgrain Laminate <i>Quartered</i> QE2 DS2 PC2 EN2 CO2 ST2 NW2 <i>Flat Cut</i> LC2 KD2 MH2 MC2 VM2 LM2 BU2 BE2 QR2 <i>Textured Laminate (10% upcharge)</i> NG2 NH2 TFL Solid Color Laminate BL2 GR2 SG2 FW2 RW2	TFL Woodgrain Laminate <i>Quartered</i> QE2 DS2 PC2 EN2 CO2 ST2 NW2 <i>Flat Cut</i> LC2 KD2 MH2 MC2 VM2 LM2 BU2 BE2 QR2 <i>Textured Laminate (10% upcharge)</i> NG2 NH2 TFL Solid Color Laminate BL2 GR2 SG2 FW2 RW2	TFL Woodgrain Laminate <i>Quartered</i> QE2 DS2 PC2 EN2 CO2 ST2 NW2 <i>Flat Cut</i> LC2 KD2 MH2 MC2 VM2 LM2 BU2 BE2 QR2 <i>Textured Laminate (10% upcharge)</i> NG2 NH2 TFL Solid Color Laminate BL2 GR2 SG2 FW2 RW2	B3K Left B3L Right	B3G Euro Soft Close Standard  B3J 5 Knuckle  B3H Euro Knuckle \$58 	X9 None Standard A4S Coat Hooks \$53 R7 Hanging Bar (24" deep models only) \$81 R8 Two Adjustable Shelves \$172 B3N Two Fixed Shelves \$172	NL No Lock - Standard LCK2 Requires 2 Lock Core \$154  H5S Assigned User Keyless Lock \$673 H5T Shared User Keyless Lock \$673  KML1 Assigned User Keyless Mechanical Lock \$404 KML2 Shared User Keyless Mechanical Lock \$404  PHL1 Pad Lock Hasp \$173  NOTE: LCK Locks ordered separately on page 5.	AS No Pull Crest  Era  Forte  Pure  Grip  B3D, SNCK Recessed (Satin Nickel Only) 	BWT Bone White CHLK Chalk MSL Luster Grey BKO Onyx SNCK Satin Nickel	X9 None RM Power \$598 H6K Daisy Chainable Power \$663 NOTE: Power feeds and jumpers are purchased separately on page 261.

**HOW TO ORDER**

SPECIFY: Exterior chassis finish | door finish | door edge finish | hinge location | hinge | interior options | lock | pull | pull finish | power. See page 11 for a complete offering of finishes.

**MODEL NUMBER**

MM-121860SCD2

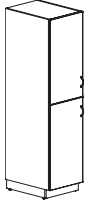
Exterior Chassis Finish	Door Finish	Door Edge Finish	Hinge Location	Hinge	Interior Options	Lock	Pull	Pull Finish	Power
NW2	NW2	NW2	B3K	B3G	R8	LCK2	Crest	MSL	RM



**STORAGE CABINETS LOCKERS (CONT.)**

- Flat top
- 2 hinged doors
- 4" recessed toe kick
- Adjustable levelers
- May be installed alone or with multiple cabinets
- In order to complete installation, either cove molding or toe kick rail must be adhered. Order cove molding separately, preferably from a local supplier early in the project. See pages 44 and 45 for toe kick rail offerings.
- All Mile Marker cabinetry is required to be anchored to a wall or floor. Installation hardware is not included with cabinets.

**STORAGE LOCKER WITH 2 DOORS**



**24.25" DEEP MODELS**

model	w	d	h	wt	cu ft	List
MM-122460SCD2	12	24.25	60	125	13.2	\$ 936
MM-152460SCD2	15	24.25	60	128	16.0	\$ 1,035
MM-182460SCD2	18	24.25	60	130	18.8	\$ 1,133
MM-212460SCD2	21	24.25	60	133	21.7	\$ 1,186
MM-242460SCD2	24	24.25	60	135	24.5	\$ 1,317
MM-122466SCD2	12	24.25	66	130	14.5	\$ 1,003
MM-152466SCD2	15	24.25	66	133	17.6	\$ 1,108
MM-182466SCD2	18	24.25	66	135	20.7	\$ 1,215
MM-212466SCD2	21	24.25	66	138	23.8	\$ 1,277
MM-242466SCD2	24	24.25	66	140	26.9	\$ 1,415
MM-122472SCD2	12	24.25	72	135	15.7	\$ 1,118
MM-152472SCD2	15	24.25	72	138	19.1	\$ 1,232
MM-182472SCD2	18	24.25	72	140	22.5	\$ 1,346
MM-212472SCD2	21	24.25	72	143	25.9	\$ 1,439
MM-242472SCD2	24	24.25	72	145	29.2	\$ 1,608

**OPTIONS**

Exterior Chassis Finish	Door Finish	Door Edge Finish	Hinge Location	Hinge	Interior Options	Lock	Pull	Pull Finish	Power
TFL Woodgrain Laminate <i>Quartered</i> QE2 DS2 PC2 EN2 CO2 ST2 NW2 <i>Flat Cut</i> LC2 KD2 MH2 MC2 VM2 LM2 BU2 BE2 QR2 <i>Textured Laminate (10% upcharge)</i> NG2 NH2 TFL Solid Color Laminate BL2 GR2 SG2 FW2 RW2	TFL Woodgrain Laminate <i>Quartered</i> QE2 DS2 PC2 EN2 CO2 ST2 NW2 <i>Flat Cut</i> LC2 KD2 MH2 MC2 VM2 LM2 BU2 BE2 QR2 <i>Textured Laminate (10% upcharge)</i> NG2 NH2 TFL Solid Color Laminate BL2 GR2 SG2 FW2 RW2	TFL Woodgrain Laminate <i>Quartered</i> QE2 DS2 PC2 EN2 CO2 ST2 NW2 <i>Flat Cut</i> LC2 KD2 MH2 MC2 VM2 LM2 BU2 BE2 QR2 <i>Textured Laminate (10% upcharge)</i> NG2 NH2 TFL Solid Color Laminate BL2 GR2 SG2 FW2 RW2	B3K Left B3L Right	B3G Euro Soft Close Standard  B3J 5 Knuckle  B3H Euro Knuckle \$58 	X9 None Standard A4S Coat Hooks \$53 R7 Hanging Bar (24" deep models only) \$81 R8 Two Adjustable Shelves \$172 B3N Two Fixed Shelves \$172	NL No Lock - Standard LCK2 Requires 2 Lock Core \$154  H5S Assigned User Keyless Lock \$673 H5T Shared User Keyless Lock \$673  KML1 Assigned User Keyless Mechanical Lock \$404 KML2 Shared User Keyless Mechanical Lock \$404  PHL1 Pad Lock Hasp \$173  NOTE: LCK Locks ordered separately on page 5.	AS No Pull Crest  Era  Forte  Pure  Grip  B3D, SNCK Recessed (Satin Nickel Only) 	BWT Bone White CHLK Chalk MSL Luster Grey BKO Onyx SNCK Satin Nickel	X9 None RM Power \$598 H6K Daisy Chainable Power \$663 NOTE: Power feeds and jumpers are purchased separately on page 261.

**HOW TO ORDER**

SPECIFY: Exterior chassis finish | door finish | door edge finish | hinge location | hinge | interior options | lock | pull | pull finish | power. See page 11 for a complete offering of finishes.

**MODEL NUMBER**

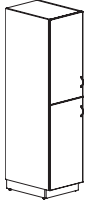
MM-122460SCD2

Exterior Chassis Finish	Door Finish	Door Edge Finish	Hinge Location	Hinge	Interior Options	Lock	Pull	Pull Finish	Power
NW2	NW2	NW2	B3K	B3G	R8	LCK2	Crest	MSL	RM

**STORAGE CABINETS LOCKERS (CONT.)**

- Flat top
- 2 hinged doors
- 4" recessed toe kick
- Adjustable levelers
- May be installed alone or with multiple cabinets
- In order to complete installation, either cove molding or toe kick rail must be adhered. Order cove molding separately, preferably from a local supplier early in the project. See pages 44 and 45 for toe kick rail offerings.
- All Mile Marker cabinetry is required to be anchored to a wall or floor. Installation hardware is not included with cabinets.

**STORAGE LOCKER WITH 2 DOORS**



**24.25" DEEP MODELS**

model	w	d	h	wt	cu ft	List
MM-122478SCD2	12	24.25	78	140	17.0	\$ 1,242
MM-152478SCD2	15	24.25	78	143	20.7	\$ 1,336
MM-182478SCD2	18	24.25	78	145	24.3	\$ 1,428
MM-212478SCD2	21	24.25	78	148	28.0	\$ 1,508
MM-242478SCD2	24	24.25	78	150	31.6	\$ 1,665
MM-122484SCD2	12	24.25	84	145	18.3	\$ 1,366
MM-152484SCD2	15	24.25	84	148	22.2	\$ 1,480
MM-182484SCD2	18	24.25	84	150	26.1	\$ 1,593
MM-212484SCD2	21	24.25	84	153	30.0	\$ 1,686
MM-242484SCD2	24	24.25	84	155	34.0	\$ 1,854

**OPTIONS**

Exterior Chassis Finish	Door Finish	Door Edge Finish	Hinge Location	Hinge	Interior Options	Lock	Pull	Pull Finish	Power
TFL Woodgrain Laminate <i>Quartered</i> QE2 DS2 PC2 EN2 CO2 ST2 NW2 <i>Flat Cut</i> LC2 KD2 MH2 MC2 VM2 LM2 BU2 BE2 QR2 <i>Textured Laminate (10% upcharge)</i> NG2 NH2 TFL Solid Color Laminate BL2 GR2 SG2 FW2 RW2	TFL Woodgrain Laminate <i>Quartered</i> QE2 DS2 PC2 EN2 CO2 ST2 NW2 <i>Flat Cut</i> LC2 KD2 MH2 MC2 VM2 LM2 BU2 BE2 QR2 <i>Textured Laminate (10% upcharge)</i> NG2 NH2 TFL Solid Color Laminate BL2 GR2 SG2 FW2 RW2	TFL Woodgrain Laminate <i>Quartered</i> QE2 DS2 PC2 EN2 CO2 ST2 NW2 <i>Flat Cut</i> LC2 KD2 MH2 MC2 VM2 LM2 BU2 BE2 QR2 <i>Textured Laminate (10% upcharge)</i> NG2 NH2 TFL Solid Color Laminate BL2 GR2 SG2 FW2 RW2	B3K Left B3L Right	B3G Euro Soft Close Standard  B3J 5 Knuckle  B3H Euro Knuckle \$58 	X9 None Standard A4S Coat Hooks \$53 R7 Hanging Bar (24" deep models only) \$81 R8 Two Adjustable Shelves \$172 B3N Two Fixed Shelves \$172	NL No Lock - Standard LCK2 Requires 2 Lock Core \$154  H5S Assigned User Keyless Lock \$673 H5T Shared User Keyless Lock \$673  KML1 Assigned User Keyless Mechanical Lock \$404 KML2 Shared User Keyless Mechanical Lock \$404  PHL1 Pad Lock Hasp \$173  NOTE: LCK Locks ordered separately on page 5.	AS No Pull Crest  Era  Forte  Pure  Grip  B3D, SNCK Recessed (Satin Nickel Only) 	BWT Bone White Chalk CHLK Luster Grey MSL Onyx BKO Satin Nickel SNCK	X9 None RM Power \$598 H6K Daisy Chainable Power \$663 NOTE: Power feeds and jumpers are purchased separately on page 261.

**HOW TO ORDER**

SPECIFY: Exterior chassis finish | door finish | door edge finish | hinge location | hinge | interior options | lock | pull | pull finish | power. See page 11 for a complete offering of finishes.

**MODEL NUMBER**

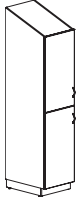
MM-122460SCD2

Exterior Chassis Finish	Door Finish	Door Edge Finish	Hinge Location	Hinge	Interior Options	Lock	Pull	Pull Finish	Power
NW2	NW2	NW2	B3K	B3G	R8	LCK2	Crest	MSL	RM

**STORAGE CABINETS LOCKERS**

- Sloped top
- 2 hinged doors
- 4" recessed toe kick
- Adjustable levelers
- May be installed alone or with multiple cabinets
- In order to complete installation, either cove molding or toe kick rail must be adhered. Order cove molding separately, preferably from a local supplier early in the project. See pages 44 and 45 for toe kick rail offerings.
- All Mile Marker cabinetry is required to be anchored to a wall or floor. Installation hardware is not included with cabinets.

**STORAGE LOCKER WITH 2 DOORS SLOPED**



**14" DEEP MODELS**

model	w	d	h	wt	cu ft	List
MM-121465SCD2S	12	14	65	115	8.7	\$ 861
MM-151465SCD2S	15	14	65	118	10.5	\$ 904
MM-181465SCD2S	18	14	65	120	12.4	\$ 945
MM-211465SCD2S	21	14	65	123	14.3	\$ 947
MM-241465SCD2S	24	14	65	125	16.1	\$ 1,026
MM-121471SCD2S	12	14	71	120	9.5	\$ 906
MM-151471SCD2S	15	14	71	123	11.5	\$ 948
MM-181471SCD2S	18	14	71	125	13.5	\$ 992
MM-211471SCD2S	21	14	71	128	15.5	\$ 996
MM-241471SCD2S	24	14	71	130	17.6	\$ 1,078
MM-121477SCD2S	12	14	77	125	10.2	\$ 961
MM-151477SCD2S	15	14	77	128	12.4	\$ 999
MM-181477SCD2S	18	14	77	130	14.6	\$ 1,037
MM-211477SCD2S	21	14	77	133	16.8	\$ 1,079
MM-241477SCD2S	24	14	77	135	19.0	\$ 1,200

**OPTIONS**

Exterior Chassis Finish	Door Finish	Door Edge Finish	Hinge Location	Hinge	Interior Options	Lock	Pull	Pull Finish	Power
TFL Woodgrain Laminate <i>Quartered</i> QE2 DS2 PC2 EN2 CO2 ST2 NW2 <i>Flat Cut</i> LC2 KD2 MH2 MC2 VM2 LM2 BU2 BE2 QR2 <i>Textured Laminate (10% upcharge)</i> NG2 NH2 TFL Solid Color Laminate BL2 GR2 SG2 FW2 RW2	TFL Woodgrain Laminate <i>Quartered</i> QE2 DS2 PC2 EN2 CO2 ST2 NW2 <i>Flat Cut</i> LC2 KD2 MH2 MC2 VM2 LM2 BU2 BE2 QR2 <i>Textured Laminate (10% upcharge)</i> NG2 NH2 TFL Solid Color Laminate BL2 GR2 SG2 FW2 RW2	TFL Woodgrain Laminate <i>Quartered</i> QE2 DS2 PC2 EN2 CO2 ST2 NW2 <i>Flat Cut</i> LC2 KD2 MH2 MC2 VM2 LM2 BU2 BE2 QR2 <i>Textured Laminate (10% upcharge)</i> NG2 NH2 TFL Solid Color Laminate BL2 GR2 SG2 FW2 RW2	B3K Left B3L Right	B3G Euro Soft Close Standard  B3J 5 Knuckle  B3H Euro Knuckle \$58 	X9 None Standard A4S Coat Hooks \$53 R7 Hanging Bar (24" deep models only) \$81 R8 Two Adjustable Shelves \$172 B3N Two Fixed Shelves \$172	NL No Lock - Standard LCK2 Requires 2 Lock Core \$154  H5S Assigned User Keyless Lock \$673 H5T Shared User Keyless Lock \$673  KML1 Assigned User Keyless Mechanical Lock \$404 KML2 Shared User Keyless Mechanical Lock \$404  PHL1 Pad Lock Hasp \$173  NOTE: LCK Locks ordered separately on page 5.	AS No Pull Crest  Era  Forte  Pure  Grip  B3D, SNCK Recessed (Satin Nickel Only) 	BWT Bone White CHLK Chalk MSL Luster Grey BKO Onyx SNCK Satin Nickel	X9 None RM Power \$598 H6K Daisy Chainable Power \$663 NOTE: Power feeds and jumpers are purchased separately on page 261.

**HOW TO ORDER**

SPECIFY: Exterior chassis finish | door finish | door edge finish | hinge location | hinge | interior options | lock | pull | pull finish | power. See page 11 for a complete offering of finishes.

**MODEL NUMBER**

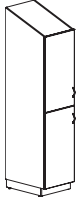
MM-121465SCD2S

Exterior Chassis Finish	Door Finish	Door Edge Finish	Hinge Location	Hinge	Interior Options	Lock	Pull	Pull Finish	Power
NW2	NW2	NW2	B3K	B3G	R8	LCK2	Crest	MSL	RM

**STORAGE CABINETS LOCKERS**

- Sloped top
- 2 hinged doors
- 4" recessed toe kick
- Adjustable levelers
- May be installed alone or with multiple cabinets
- In order to complete installation, either cove molding or toe kick rail must be adhered. Order cove molding separately, preferably from a local supplier early in the project. See pages 44 and 45 for toe kick rail offerings.
- All Mile Marker cabinetry is required to be anchored to a wall or floor. Installation hardware is not included with cabinets.

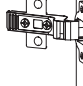




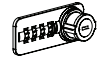

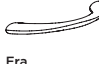
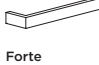

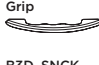


**STORAGE LOCKER WITH 2 DOORS SLOPED**



**14" DEEP MODELS**

model	w	d	h	wt	cu ft	List
MM-121483SCD2S	12	14	83	130	11.0	\$ 1,024
MM-151483SCD2S	15	14	83	133	13.4	\$ 1,099
MM-181483SCD2S	18	14	83	135	15.7	\$ 1,171
MM-211483SCD2S	21	14	83	138	18.1	\$ 1,205
MM-241483SCD2S	24	14	83	140	20.5	\$ 1,316
MM-121489SCD2S	12	14	89	135	11.8	\$ 1,152
MM-151489SCD2S	15	14	89	138	14.3	\$ 1,246
MM-181489SCD2S	18	14	89	140	16.9	\$ 1,337
MM-211489SCD2S	21	14	89	143	19.4	\$ 1,369
MM-241489SCD2S	24	14	89	145	21.9	\$ 1,478

**OPTIONS**

Exterior Chassis Finish	Door Finish	Door Edge Finish	Hinge Location	Hinge	Interior Options	Lock	Pull	Pull Finish	Power
TFL Woodgrain Laminate <i>Quartered</i> QE2 DS2 PC2 EN2 CO2 ST2 NW2 <i>Flat Cut</i> LC2 KD2 MH2 MC2 VM2 LM2 BU2 BE2 QR2 <i>Textured Laminate (10% upcharge)</i> NG2 NH2 TFL Solid Color Laminate BL2 GR2 SG2 FW2 RW2	TFL Woodgrain Laminate <i>Quartered</i> QE2 DS2 PC2 EN2 CO2 ST2 NW2 <i>Flat Cut</i> LC2 KD2 MH2 MC2 VM2 LM2 BU2 BE2 QR2 <i>Textured Laminate (10% upcharge)</i> NG2 NH2 TFL Solid Color Laminate BL2 GR2 SG2 FW2 RW2	TFL Woodgrain Laminate <i>Quartered</i> QE2 DS2 PC2 EN2 CO2 ST2 NW2 <i>Flat Cut</i> LC2 KD2 MH2 MC2 VM2 LM2 BU2 BE2 QR2 <i>Textured Laminate (10% upcharge)</i> NG2 NH2 TFL Solid Color Laminate BL2 GR2 SG2 FW2 RW2	B3K Left B3L Right	B3G Euro Soft Close Standard  B3J 5 Knuckle  B3H Euro Knuckle \$58 	X9 None Standard A4S Coat Hooks \$53 R7 Hanging Bar (24" deep models only) \$81 R8 Two Adjustable Shelves \$172 B3N Two Fixed Shelves \$172	NL No Lock - Standard LCK2 Requires 2 Lock Core \$154  H5S Assigned User Keyless Lock \$673 H5T Shared User Keyless Lock \$673  KML1 Assigned User Keyless Mechanical Lock \$404 KML2 Shared User Keyless Mechanical Lock \$404  PHL1 Pad Lock Hasp \$173  NOTE: LCK Locks ordered separately on page 5.	AS No Pull Crest  Era  Forte  Pure  Grip  B3D, SNCK Recessed (Satin Nickel Only) 	BWT Bone White CHLK Chalk MSL Luster Grey BKO Onyx SNCK Satin Nickel	X9 None RM Power \$598 H6K Daisy Chainable Power \$663 NOTE: Power feeds and jumpers are purchased separately on page 261.

**HOW TO ORDER**

SPECIFY: Exterior chassis finish | door finish | door edge finish | hinge location | hinge | interior options | lock | pull | pull finish | power. See page 11 for a complete offering of finishes.

**MODEL NUMBER**

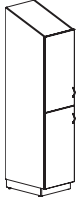
MM-121465SCD2S

Exterior Chassis Finish	Door Finish	Door Edge Finish	Hinge Location	Hinge	Interior Options	Lock	Pull	Pull Finish	Power
NW2	NW2	NW2	B3K	B3G	R8	LCK2	Crest	MSL	RM

**STORAGE CABINETS LOCKERS (CONT.)**

- Sloped top
- 2 hinged doors
- 4" recessed toe kick
- Adjustable levelers
- May be installed alone or with multiple cabinets
- In order to complete installation, either cove molding or toe kick rail must be adhered. Order cove molding separately, preferably from a local supplier early in the project. See pages 44 and 45 for toe kick rail offerings.
- All Mile Marker cabinetry is required to be anchored to a wall or floor. Installation hardware is not included with cabinets.

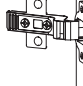




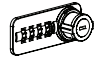



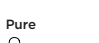

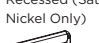

**STORAGE LOCKER WITH 2 DOORS SLOPED**



**18.25" DEEP MODELS**

model	w	d	h	wt	cu ft	List
MM-121866SCD2S	12	18.25	66.5	120	11.2	\$ 927
MM-151866SCD2S	15	18.25	66.5	123	13.6	\$ 960
MM-181866SCD2S	18	18.25	66.5	125	16.1	\$ 1,018
MM-211866SCD2S	21	18.25	66.5	128	18.5	\$ 1,055
MM-241866SCD2S	24	18.25	66.5	130	20.9	\$ 1,170
MM-121872SCD2S	12	18.25	72.5	125	12.2	\$ 973
MM-151872SCD2S	15	18.25	72.5	128	14.8	\$ 1,010
MM-181872SCD2S	18	18.25	72.5	130	17.5	\$ 1,070
MM-211872SCD2S	21	18.25	72.5	133	20.1	\$ 1,110
MM-241872SCD2S	24	18.25	72.5	135	22.7	\$ 1,228
MM-121878SCD2S	12	18.25	78.5	130	13.2	\$ 1,042
MM-151878SCD2S	15	18.25	78.5	133	16.0	\$ 1,119
MM-181878SCD2S	18	18.25	78.5	135	18.9	\$ 1,194
MM-211878SCD2S	21	18.25	78.5	138	21.7	\$ 1,263
MM-241878SCD2S	24	18.25	78.5	140	24.5	\$ 1,407

**OPTIONS**

Exterior Chassis Finish	Door Finish	Door Edge Finish	Hinge Location	Hinge	Interior Options	Lock	Pull	Pull Finish	Power
TFL Woodgrain Laminate <i>Quartered</i> QE2 DS2 PC2 EN2 CO2 ST2 NW2 <i>Flat Cut</i> LC2 KD2 MH2 MC2 VM2 LM2 BU2 BE2 QR2 <i>Textured Laminate (10% upcharge)</i> NG2 NH2 TFL Solid Color Laminate BL2 GR2 SG2 FW2 RW2	TFL Woodgrain Laminate <i>Quartered</i> QE2 DS2 PC2 EN2 CO2 ST2 NW2 <i>Flat Cut</i> LC2 KD2 MH2 MC2 VM2 LM2 BU2 BE2 QR2 <i>Textured Laminate (10% upcharge)</i> NG2 NH2 TFL Solid Color Laminate BL2 GR2 SG2 FW2 RW2	TFL Woodgrain Laminate <i>Quartered</i> QE2 DS2 PC2 EN2 CO2 ST2 NW2 <i>Flat Cut</i> LC2 KD2 MH2 MC2 VM2 LM2 BU2 BE2 QR2 <i>Textured Laminate (10% upcharge)</i> NG2 NH2 TFL Solid Color Laminate BL2 GR2 SG2 FW2 RW2	B3K Left B3L Right	B3G Euro Soft Close Standard  B3J 5 Knuckle  B3H Euro Knuckle \$58 	X9 None Standard A4S Coat Hooks \$53 R7 Hanging Bar (24" deep models only) \$81 R8 Two Adjustable Shelves \$172 B3N Two Fixed Shelves \$172	NL No Lock - Standard LCK2 Requires 2 Lock Core \$154  H5S Assigned User Keyless Lock \$673 H5T Shared User Keyless Lock \$673  KML1 Assigned User Keyless Mechanical Lock \$404 KML2 Shared User Keyless Mechanical Lock \$404  PHL1 Pad Lock Hasp \$173  <b>NOTE: LCK Locks ordered separately on page 5.</b>	AS No Pull Crest  Era  Forte  Pure  Grip  B3D, SNCK Recessed (Satin Nickel Only) 	BWT Bone White CHLK Chalk MSL Luster Grey BKO Onyx SNCK Satin Nickel	X9 None RM Power \$598 H6K Daisy Chainable Power \$663 <b>NOTE: Power feeds and jumpers are purchased separately on page 261.</b>

**HOW TO ORDER**

SPECIFY: Exterior chassis finish | door finish | door edge finish | hinge location | hinge | interior options | lock | pull | pull finish | power. See page 11 for a complete offering of finishes.

**MODEL NUMBER**

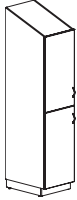
MM-121866SCD2S

Exterior Chassis Finish	Door Finish	Door Edge Finish	Hinge Location	Hinge	Interior Options	Lock	Pull	Pull Finish	Power
NW2	NW2	NW2	B3K	B3G	R8	LCK2	Crest	MSL	RM

**STORAGE CABINETS LOCKERS (CONT.)**

- Sloped top
- 2 hinged doors
- 4" recessed toe kick
- Adjustable levelers
- May be installed alone or with multiple cabinets
- In order to complete installation, either cove molding or toe kick rail must be adhered. Order cove molding separately, preferably from a local supplier early in the project. See pages 44 and 45 for toe kick rail offerings.
- All Mile Marker cabinetry is required to be anchored to a wall or floor. Installation hardware is not included with cabinets.

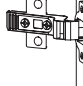
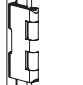
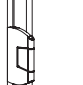


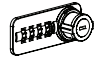



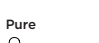

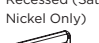

**STORAGE LOCKER WITH 2 DOORS SLOPED**



**18.25" DEEP MODELS**

model	w	d	h	wt	cu ft	List
MM-121884SCD2S	12	18.25	84.5	135	14.2	\$ 1,164
MM-151884SCD2S	15	18.25	84.5	138	17.2	\$ 1,243
MM-181884SCD2S	18	18.25	84.5	140	20.3	\$ 1,323
MM-211884SCD2S	21	18.25	84.5	143	23.3	\$ 1,390
MM-241884SCD2S	24	18.25	84.5	145	26.4	\$ 1,533
MM-121890SCD2S	12	18.25	90.5	140	15.2	\$ 1,285
MM-151890SCD2S	15	18.25	90.5	144	18.4	\$ 1,373
MM-181890SCD2S	18	18.25	90.5	145	21.7	\$ 1,462
MM-211890SCD2S	21	18.25	90.5	148	24.9	\$ 1,567
MM-241890SCD2S	24	18.25	90.5	150	28.2	\$ 1,750

**OPTIONS**

Exterior Chassis Finish	Door Finish	Door Edge Finish	Hinge Location	Hinge	Interior Options	Lock	Pull	Pull Finish	Power
TFL Woodgrain Laminate <i>Quartered</i> QE2 DS2 PC2 EN2 CO2 ST2 NW2 <i>Flat Cut</i> LC2 KD2 MH2 MC2 VM2 LM2 BU2 BE2 QR2 <i>Textured Laminate (10% upcharge)</i> NG2 NH2 TFL Solid Color Laminate BL2 GR2 SG2 FW2 RW2	TFL Woodgrain Laminate <i>Quartered</i> QE2 DS2 PC2 EN2 CO2 ST2 NW2 <i>Flat Cut</i> LC2 KD2 MH2 MC2 VM2 LM2 BU2 BE2 QR2 <i>Textured Laminate (10% upcharge)</i> NG2 NH2 TFL Solid Color Laminate BL2 GR2 SG2 FW2 RW2	TFL Woodgrain Laminate <i>Quartered</i> QE2 DS2 PC2 EN2 CO2 ST2 NW2 <i>Flat Cut</i> LC2 KD2 MH2 MC2 VM2 LM2 BU2 BE2 QR2 <i>Textured Laminate (10% upcharge)</i> NG2 NH2 TFL Solid Color Laminate BL2 GR2 SG2 FW2 RW2	B3K Left B3L Right	B3G Euro Soft Close Standard  B3J 5 Knuckle  B3H Euro Knuckle \$58 	X9 None Standard A4S Coat Hooks \$53 R7 Hanging Bar (24" deep models only) \$81 R8 Two Adjustable Shelves \$172 B3N Two Fixed Shelves \$172	NL No Lock - Standard LCK2 Requires 2 Lock Core \$154  H5S Assigned User Keyless Lock \$673 H5T Shared User Keyless Lock \$673  KML1 Assigned User Keyless Mechanical Lock \$404 KML2 Shared User Keyless Mechanical Lock \$404  PHL1 Pad Lock Hasp \$173  <b>NOTE: LCK Locks ordered separately on page 5.</b>	AS No Pull Crest  Era  Forte  Pure  Grip  B3D, SNCK Recessed (Satin Nickel Only) 	BWT Bone White CHLK Chalk MSL Luster Grey BKO Onyx SNCK Satin Nickel	X9 None RM Power \$598 H6K Daisy Chainable Power \$663 <b>NOTE: Power feeds and jumpers are purchased separately on page 261.</b>

**HOW TO ORDER**

SPECIFY: Exterior chassis finish | door finish | door edge finish | hinge location | hinge | interior options | lock | pull | pull finish | power. See page 11 for a complete offering of finishes.

**MODEL NUMBER**

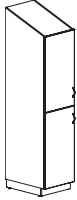
MM-121866SCD2S

Exterior Chassis Finish	Door Finish	Door Edge Finish	Hinge Location	Hinge	Interior Options	Lock	Pull	Pull Finish	Power
NW2	NW2	NW2	B3K	B3G	R8	LCK2	Crest	MSL	RM

**STORAGE CABINETS LOCKERS (CONT.)**

- Sloped top
- 2 hinged doors
- 4" recessed toe kick
- Adjustable levelers
- May be installed alone or with multiple cabinets
- In order to complete installation, either cove molding or toe kick rail must be adhered. Order cove molding separately, preferably from a local supplier early in the project. See pages 44 and 45 for toe kick rail offerings.
- All Mile Marker cabinetry is required to be anchored to a wall or floor. Installation hardware is not included with cabinets.

**STORAGE LOCKER WITH 2 DOORS SLOPED**



**24.25" DEEP MODELS**

model	w	d	h	wt	cu ft	List
MM-122468SCD2S	12	24.25	68.5	125	15.0	\$ 1,017
MM-152468SCD2S	15	24.25	68.5	128	18.2	\$ 1,117
MM-182468SCD2S	18	24.25	68.5	130	21.4	\$ 1,218
MM-212468SCD2S	21	24.25	68.5	133	24.6	\$ 1,262
MM-242468SCD2S	24	24.25	68.5	135	27.8	\$ 1,381
MM-122474SCD2S	12	24.25	74.5	130	16.3	\$ 1,068
MM-152474SCD2S	15	24.25	74.5	133	19.8	\$ 1,174
MM-182474SCD2S	18	24.25	74.5	135	23.2	\$ 1,280
MM-212474SCD2S	21	24.25	74.5	138	26.7	\$ 1,328
MM-242474SCD2S	24	24.25	74.5	140	30.2	\$ 1,453
MM-122480SCD2S	12	24.25	80.5	135	17.5	\$ 1,182
MM-152480SCD2S	15	24.25	80.5	138	21.3	\$ 1,297
MM-182480SCD2S	18	24.25	80.5	140	25.1	\$ 1,412
MM-212480SCD2S	21	24.25	80.5	143	28.8	\$ 1,502
MM-242480SCD2S	24	24.25	80.5	145	32.6	\$ 1,670

**OPTIONS**

Exterior Chassis Finish	Door Finish	Door Edge Finish	Hinge Location	Hinge	Interior Options	Lock	Pull	Pull Finish	Power
TFL Woodgrain Laminate <i>Quartered</i> QE2 DS2 PC2 EN2 CO2 ST2 NW2 <i>Flat Cut</i> LC2 KD2 MH2 MC2 VM2 LM2 BU2 BE2 QR2 <i>Textured Laminate (10% upcharge)</i> NG2 NH2 TFL Solid Color Laminate BL2 GR2 SG2 FW2 RW2	TFL Woodgrain Laminate <i>Quartered</i> QE2 DS2 PC2 EN2 CO2 ST2 NW2 <i>Flat Cut</i> LC2 KD2 MH2 MC2 VM2 LM2 BU2 BE2 QR2 <i>Textured Laminate (10% upcharge)</i> NG2 NH2 TFL Solid Color Laminate BL2 GR2 SG2 FW2 RW2	TFL Woodgrain Laminate <i>Quartered</i> QE2 DS2 PC2 EN2 CO2 ST2 NW2 <i>Flat Cut</i> LC2 KD2 MH2 MC2 VM2 LM2 BU2 BE2 QR2 <i>Textured Laminate (10% upcharge)</i> NG2 NH2 TFL Solid Color Laminate BL2 GR2 SG2 FW2 RW2	B3K Left B3L Right	B3G Euro Soft Close Standard  B3J 5 Knuckle  B3H Euro Knuckle \$58 	X9 None Standard A4S Coat Hooks \$53 R7 Hanging Bar (24" deep models only) \$81 R8 Two Adjustable Shelves \$172 B3N Two Fixed Shelves \$172	NL No Lock - Standard LCK2 Requires 2 Lock Core \$154  H5S Assigned User Keyless Lock \$673 H5T Shared User Keyless Lock \$673  KML1 Assigned User Keyless Mechanical Lock \$404 KML2 Shared User Keyless Mechanical Lock \$404  PHL1 Pad Lock Hasp \$173  NOTE: LCK Locks ordered separately on page 5.	AS No Pull Crest  Era  Forte  Pure  Grip  B3D, SNCK Recessed (Satin Nickel Only) 	BWT Bone White CHLK Chalk MSL Luster Grey BKO Onyx SNCK Satin Nickel	X9 None RM Power \$598 H6K Daisy Chainable Power \$663 NOTE: Power feeds and jumpers are purchased separately on page 261.

**HOW TO ORDER**

SPECIFY: Exterior chassis finish | door finish | door edge finish | hinge location | hinge | interior options | lock | pull | pull finish | power. See page 11 for a complete offering of finishes.

**MODEL NUMBER**

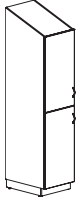
MM-122468SCD2S

Exterior Chassis Finish	Door Finish	Door Edge Finish	Hinge Location	Hinge	Interior Options	Lock	Pull	Pull Finish	Power
NW2	NW2	NW2	B3K	B3G	R8	LCK2	Crest	MSL	RM

**STORAGE CABINETS LOCKERS (CONT.)**

- Sloped top
- 2 hinged doors
- 4" recessed toe kick
- Adjustable levelers
- May be installed alone or with multiple cabinets
- In order to complete installation, either cove molding or toe kick rail must be adhered. Order cove molding separately, preferably from a local supplier early in the project. See pages 44 and 45 for toe kick rail offerings.
- All Mile Marker cabinetry is required to be anchored to a wall or floor. Installation hardware is not included with cabinets.

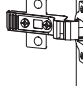
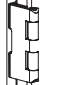
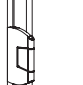


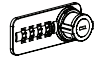



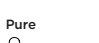

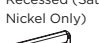

**STORAGE LOCKER WITH 2 DOORS SLOPED**



**24.25" DEEP MODELS**

model	w	d	h	wt	cu ft	List
MM-122486SCD2S	12	24.25	86.5	140	18.8	\$ 1,306
MM-152486SCD2S	15	24.25	86.5	143	22.9	\$ 1,401
MM-182486SCD2S	18	24.25	86.5	145	26.9	\$ 1,494
MM-212486SCD2S	21	24.25	86.5	148	30.9	\$ 1,575
MM-242486SCD2S	24	24.25	86.5	150	35.0	\$ 1,730
MM-122492SCD2S	12	24.25	92.5	145	20.1	\$ 1,429
MM-152492SCD2S	15	24.25	92.5	148	24.4	\$ 1,551
MM-182492SCD2S	18	24.25	92.5	150	28.7	\$ 1,671
MM-212492SCD2S	21	24.25	92.5	153	33.0	\$ 1,754
MM-242492SCD2S	24	24.25	92.5	155	37.3	\$ 1,914

**OPTIONS**

Exterior Chassis Finish	Door Finish	Door Edge Finish	Hinge Location	Hinge	Interior Options	Lock	Pull	Pull Finish	Power
TFL Woodgrain Laminate <i>Quartered</i> QE2 DS2 PC2 EN2 CO2 ST2 NW2 <i>Flat Cut</i> LC2 KD2 MH2 MC2 VM2 LM2 BU2 BE2 QR2 <i>Textured Laminate (10% upcharge)</i> NG2 NH2 TFL Solid Color Laminate BL2 GR2 SG2 FW2 RW2	TFL Woodgrain Laminate <i>Quartered</i> QE2 DS2 PC2 EN2 CO2 ST2 NW2 <i>Flat Cut</i> LC2 KD2 MH2 MC2 VM2 LM2 BU2 BE2 QR2 <i>Textured Laminate (10% upcharge)</i> NG2 NH2 TFL Solid Color Laminate BL2 GR2 SG2 FW2 RW2	TFL Woodgrain Laminate <i>Quartered</i> QE2 DS2 PC2 EN2 CO2 ST2 NW2 <i>Flat Cut</i> LC2 KD2 MH2 MC2 VM2 LM2 BU2 BE2 QR2 <i>Textured Laminate (10% upcharge)</i> NG2 NH2 TFL Solid Color Laminate BL2 GR2 SG2 FW2 RW2	B3K Left B3L Right	B3G Euro Soft Close Standard  B3J 5 Knuckle  B3H Euro Knuckle \$58 	X9 None Standard A4S Coat Hooks \$53 R7 Hanging Bar (24" deep models only) \$81 R8 Two Adjustable Shelves \$172 B3N Two Fixed Shelves \$172	NL No Lock - Standard LCK2 Requires 2 Lock Core \$154  H5S Assigned User Keyless Lock \$673 H5T Shared User Keyless Lock \$673  KML1 Assigned User Keyless Mechanical Lock \$404 KML2 Shared User Keyless Mechanical Lock \$404  PHL1 Pad Lock Hasp \$173  <b>NOTE:</b> LCK Locks ordered separately on page 5.	AS No Pull Crest  Era  Forte  Pure  Grip  B3D, SNCK Recessed (Satin Nickel Only) 	BWT Bone White Chalk CHLK Luster Grey MSL Onyx BKO Satin Nickel SNCK	X9 None RM Power \$598 H6K Daisy Chainable Power \$663 <b>NOTE:</b> Power feeds and jumpers are purchased separately on page 261.

**HOW TO ORDER**

SPECIFY: Exterior chassis finish | door finish | door edge finish | hinge location | hinge | interior options | lock | pull | pull finish | power. See page 11 for a complete offering of finishes.

**MODEL NUMBER**

MM-122468SCD2S

Exterior Chassis Finish	Door Finish	Door Edge Finish	Hinge Location	Hinge	Interior Options	Lock	Pull	Pull Finish	Power
NW2	NW2	NW2	B3K	B3G	R8	LCK2	Crest	MSL	RM



**STORAGE CABINETS LOCKERS**

- Flat top
- 2 hinged Z doors
- 4" recessed toe kick
- Adjustable levelers
- May be installed alone or with multiple cabinets
- In order to complete installation, either cove molding or toe kick rail must be adhered. Order cove molding separately, preferably from a local supplier early in the project. See pages 44 and 45 for toe kick rail offerings.
- All Mile Marker cabinetry is required to be anchored to a wall or floor. Installation hardware is not included with cabinets.



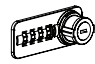



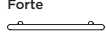


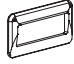
**STORAGE LOCKER WITH Z DOORS**



**14" DEEP MODELS**

model	w	d	h	wt	cu ft	List
MM-121460SCDZ	12	14	60	115	8.0	\$ 896
MM-151460SCDZ	15	14	60	118	9.8	\$ 944
MM-181460SCDZ	18	14	60	120	11.5	\$ 990
MM-211460SCDZ	21	14	60	123	13.2	\$ 996
MM-241460SCDZ	24	14	60	125	14.9	\$ 1,080
MM-121466SCDZ	12	14	66	120	8.8	\$ 961
MM-151466SCDZ	15	14	66	123	10.7	\$ 1,012
MM-181466SCDZ	18	14	66	125	12.6	\$ 1,062
MM-211466SCDZ	21	14	66	128	14.5	\$ 1,073
MM-241466SCDZ	24	14	66	130	16.4	\$ 1,159
MM-121472SCDZ	12	14	72	125	9.6	\$ 1,033
MM-151472SCDZ	15	14	72	128	11.6	\$ 1,072
MM-181472SCDZ	18	14	72	130	13.7	\$ 1,110
MM-211472SCDZ	21	14	72	133	15.8	\$ 1,166
MM-241472SCDZ	24	14	72	135	17.8	\$ 1,299

**OPTIONS**

Exterior Chassis Finish	Door Finish	Hinge Location	Interior Options	Lock	Pull	Pull Finish	Power
TFL Woodgrain Laminate <i>Quartered</i> QE2 DS2 PC2 EN2 CO2 ST2 NW2 <i>Flat Cut</i> LC2 KD2 MH2 MC2 VM2 LM2 BU2 BE2 QR2 <i>Textured Laminate</i> (10% upcharge) NG2 NH2 TFL Solid Color Laminate BL2 GR2 SG2 FW2 RW2	3DL Woodgrain Laminate <i>Quartered</i> QE3 DS3 ST3 EN3 CO3 NW3 PC3 <i>Flat Cut</i> LC3 KD3 MH3 MC3 VM3 LM3 BU3 BE3 <i>Textured Laminate</i> (10% upcharge) NG3 NH3 3DL Solid Color Laminate BL3 GR3 FW3 RW3	B3K Left B3L Right	X9 None <b>Standard</b> A4S Coat Hooks <b>\$53</b> R7 Hanging Bar (24" deep models only) <b>\$81</b>	NL No Lock - <b>Standard</b> LCK2 Requires 2 Lock Core <b>\$154</b>  HSS Assigned User Keyless Lock <b>\$673</b> H5T Shared User Keyless Lock <b>\$673</b>  KML1 Assigned User Keyless Mechanical Lock <b>\$404</b> KML2 Shared User Keyless Mechanical Lock <b>\$404</b>  PHL1 Pad Lock Hasp <b>\$173</b>  <b>NOTE:</b> LCK Locks ordered separately on page 5.	AS No Pull <b>Crest</b>  <b>Era</b>  <b>Forte</b>  <b>Pure</b>  <b>Grip</b>  <b>B3D, SNCK</b> Recessed (Satin Nickel Only) 	BWT Bone White CHLK Chalk MSL Luster Grey BKO Onyx SNCK Satin Nickel	X9 None RM Power <b>\$598</b> H6K Daisy Chainable Power <b>\$663</b>  <b>NOTE:</b> Power feeds and jumpers are purchased separately on page 261.

**HOW TO ORDER**

SPECIFY: Exterior chassis finish | door finish | hinge location | interior options | lock | pull | pull finish | power. See page 11 for a complete offering of finishes.

**MODEL NUMBER**

MM-121460SCDZ

Exterior Chassis Finish	Door Finish	Hinge Location	Interior Options	Lock	Pull	Pull Finish	Power
NW2	NW2	B3K	A4S	LCK2	Crest	MSL	RM

**STORAGE CABINETS LOCKERS**

- Flat top
- 2 hinged Z doors
- 4" recessed toe kick
- Adjustable levelers
- May be installed alone or with multiple cabinets
- In order to complete installation, either cove molding or toe kick rail must be adhered. Order cove molding separately, preferably from a local supplier early in the project. See pages 44 and 45 for toe kick rail offerings.
- All Mile Marker cabinetry is required to be anchored to a wall or floor. Installation hardware is not included with cabinets.


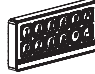
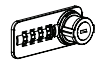






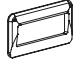
**STORAGE LOCKER WITH Z DOORS**



**14" DEEP MODELS**

model	w	d	h	wt	cu ft	List
MM-121478SCDZ	12	14	78	130	10.4	\$ 1,100
MM-151478SCDZ	15	14	78	133	12.6	\$ 1,184
MM-181478SCDZ	18	14	78	135	14.8	\$ 1,269
MM-211478SCDZ	21	14	78	138	17.0	\$ 1,319
MM-241478SCDZ	24	14	78	140	19.3	\$ 1,444
MM-121484SCDZ	12	14	84	135	11.1	\$ 1,246
MM-151484SCDZ	15	14	84	138	13.5	\$ 1,352
MM-181484SCDZ	18	14	84	140	15.9	\$ 1,456
MM-211484SCDZ	21	14	84	143	18.3	\$ 1,503
MM-241484SCDZ	24	14	84	145	20.7	\$ 1,627

**OPTIONS**

Exterior Chassis Finish	Door Finish	Hinge Location	Interior Options	Lock	Pull	Pull Finish	Power
TFL Woodgrain Laminate <i>Quartered</i> QE2 DS2 PC2 EN2 CO2 ST2 NW2 <i>Flat Cut</i> LC2 KD2 MH2 MC2 VM2 LM2 BU2 BE2 QR2 <i>Textured Laminate</i> (10% upcharge) NG2 NH2 TFL Solid Color Laminate BL2 GR2 SG2 FW2 RW2	3DL Woodgrain Laminate <i>Quartered</i> QE3 DS3 ST3 EN3 CO3 NW3 PC3 <i>Flat Cut</i> LC3 KD3 MH3 MC3 VM3 LM3 BU3 BE3 <i>Textured Laminate</i> (10% upcharge) NG3 NH3 3DL Solid Color Laminate BL3 GR3 FW3 RW3	B3K Left B3L Right	X9 None <b>Standard</b> A4S Coat Hooks <b>\$53</b> R7 Hanging Bar (24" deep models only) <b>\$81</b>	NL No Lock - <b>Standard</b> LCK2 Requires 2 Lock Core <b>\$154</b>  HSS Assigned User Keyless Lock <b>\$673</b> H5T Shared User Keyless Lock <b>\$673</b>  KML1 Assigned User Keyless Mechanical Lock <b>\$404</b> KML2 Shared User Keyless Mechanical Lock <b>\$404</b>  PHL1 Pad Lock Hasp <b>\$173</b>  <b>NOTE:</b> LCK Locks ordered separately on page 5.	AS No Pull <b>Crest</b>  <b>Era</b>  <b>Forte</b>  <b>Pure</b>  <b>Grip</b>  <b>B3D, SNCK</b> Recessed (Satin Nickel Only) 	BWT Bone White CHLK Chalk MSL Luster Grey BKO Onyx SNCK Satin Nickel	X9 None RM Power <b>\$598</b> H6K Daisy Chainable Power <b>\$663</b>  <b>NOTE:</b> Power feeds and jumpers are purchased separately on page 261.

**HOW TO ORDER**

SPECIFY: Exterior chassis finish | door finish | hinge location | interior options | lock | pull | pull finish | power. See page 11 for a complete offering of finishes.

**MODEL NUMBER**

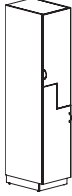
MM-121460SCDZ

Exterior Chassis Finish	Door Finish	Hinge Location	Interior Options	Lock	Pull	Pull Finish	Power
NW2	NW2	B3K	A4S	LCK2	Crest	MSL	RM

**STORAGE CABINETS LOCKERS (CONT.)**

- Flat top
- 2 hinged Z doors
- 4" recessed toe kick
- Adjustable levelers
- May be installed alone or with multiple cabinets
- In order to complete installation, either cove molding or toe kick rail must be adhered. Order cove molding separately, preferably from a local supplier early in the project. See pages 44 and 45 for toe kick rail offerings.
- All Mile Marker cabinetry is required to be anchored to a wall or floor. Installation hardware is not included with cabinets.

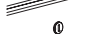
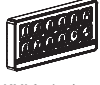






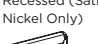

**STORAGE LOCKER WITH Z DOORS**



**18.25" DEEP MODELS**

model	w	d	h	wt	cu ft	List
MM-121860SCDZ	12	18.25	60	120	10.2	\$ 968
MM-151860SCDZ	15	18.25	60	123	12.4	\$ 1,019
MM-181860SCDZ	18	18.25	60	125	14.5	\$ 1,068
MM-211860SCDZ	21	18.25	60	128	16.7	\$ 1,117
MM-241860SCDZ	24	18.25	60	130	18.9	\$ 1,242
MM-121866SCDZ	12	18.25	66	125	11.2	\$ 1,038
MM-151866SCDZ	15	18.25	66	128	13.5	\$ 1,092
MM-181866SCDZ	18	18.25	66	130	15.9	\$ 1,145
MM-211866SCDZ	21	18.25	66	133	18.3	\$ 1,201
MM-241866SCDZ	24	18.25	66	135	20.7	\$ 1,334
MM-121872SCDZ	12	18.25	72	130	12.1	\$ 1,118
MM-151872SCDZ	15	18.25	72	133	14.7	\$ 1,207
MM-181872SCDZ	18	18.25	72	135	17.3	\$ 1,295
MM-211872SCDZ	21	18.25	72	138	19.9	\$ 1,377
MM-241872SCDZ	24	18.25	72	140	22.5	\$ 1,537

**OPTIONS**

Exterior Chassis Finish	Door Finish	Hinge Location	Interior Options	Lock	Pull	Pull Finish	Power
TFL Woodgrain Laminate <i>Quartered</i> QE2 DS2 PC2 EN2 CO2 ST2 NW2 <i>Flat Cut</i> LC2 KD2 MH2 MC2 VM2 LM2 BU2 BE2 QR2 <i>Textured Laminate</i> (10% upcharge) NG2 NH2 TFL Solid Color Laminate BL2 GR2 SG2 FW2 RW2	3DL Woodgrain Laminate <i>Quartered</i> QE3 DS3 ST3 EN3 CO3 NW3 PC3 <i>Flat Cut</i> LC3 KD3 MH3 MC3 VM3 LM3 BU3 BE3 <i>Textured Laminate</i> (10% upcharge) NG3 NH3 3DL Solid Color Laminate BL3 GR3 FW3 RW3	B3K Left B3L Right	X9 None <b>Standard</b> A4S Coat Hooks <b>\$53</b> R7 Hanging Bar (24" deep models only) <b>\$81</b>	NL No Lock - <b>Standard</b> LCK2 Requires 2 Lock Core <b>\$154</b>  H5S Assigned User Keyless Lock <b>\$673</b> H5T Shared User Keyless Lock <b>\$673</b>  KML1 Assigned User Keyless Mechanical Lock <b>\$404</b> KML2 Shared User Keyless Mechanical Lock <b>\$404</b>  PHL1 Pad Lock Hasp <b>\$173</b>   <b>NOTE:</b> LCK Locks ordered separately on page 5.	AS No Pull  Crest  Era  Forte  Pure  Grip  B3D, SNCK Recessed (Satin Nickel Only) 	BWT Bone White CHLK Chalk MSL Luster Grey BKO Onyx SNCK Satin Nickel	X9 None RM Power <b>\$598</b> H6K Daisy Chainable Power <b>\$663</b>  <b>NOTE:</b> Power feeds and jumpers are purchased separately on page 261.

**HOW TO ORDER**

SPECIFY: Exterior chassis finish | door finish | hinge location | interior options | lock | pull | pull finish | power. See page 11 for a complete offering of finishes.

**MODEL NUMBER**

MM-121860SCDZ

Exterior Chassis Finish	Door Finish	Hinge Location	Interior Options	Lock	Pull	Pull Finish	Power
NW2	NW2	B3K	A4S	LCK2	Crest	MSL	RM

**STORAGE CABINETS LOCKERS (CONT.)**

- Flat top
- 2 hinged Z doors
- 4" recessed toe kick
- Adjustable levelers
- May be installed alone or with multiple cabinets
- In order to complete installation, either cove molding or toe kick rail must be adhered. Order cove molding separately, preferably from a local supplier early in the project. See pages 44 and 45 for toe kick rail offerings.
- All Mile Marker cabinetry is required to be anchored to a wall or floor. Installation hardware is not included with cabinets.

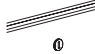








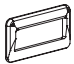
**STORAGE LOCKER WITH Z DOORS**



**18.25" DEEP MODELS**

model	w	d	h	wt	cu ft	List
MM-121878SCDZ	12	18.25	78	135	13.1	\$ 1,257
MM-151878SCDZ	15	18.25	78	138	15.9	\$ 1,352
MM-181878SCDZ	18	18.25	78	140	18.8	\$ 1,448
MM-211878SCDZ	21	18.25	78	143	21.6	\$ 1,527
MM-241878SCDZ	24	18.25	78	145	24.4	\$ 1,683
MM-121884SCDZ	12	18.25	84	140	14.1	\$ 1,397
MM-151884SCDZ	15	18.25	84	143	17.1	\$ 1,499
MM-181884SCDZ	18	18.25	84	145	20.2	\$ 1,601
MM-211884SCDZ	21	18.25	84	148	23.2	\$ 1,729
MM-241884SCDZ	24	18.25	84	150	26.2	\$ 1,935

**OPTIONS**

Exterior Chassis Finish	Door Finish	Hinge Location	Interior Options	Lock	Pull	Pull Finish	Power
TFL Woodgrain Laminate <i>Quartered</i> QE2 DS2 PC2 EN2 CO2 ST2 NW2 <i>Flat Cut</i> LC2 KD2 MH2 MC2 VM2 LM2 BU2 BE2 QR2 <i>Textured Laminate</i> (10% upcharge) NG2 NH2 TFL Solid Color Laminate BL2 GR2 SG2 FW2 RW2	3DL Woodgrain Laminate <i>Quartered</i> QE3 DS3 ST3 EN3 CO3 NW3 PC3 <i>Flat Cut</i> LC3 KD3 MH3 MC3 VM3 LM3 BU3 BE3 <i>Textured Laminate</i> (10% upcharge) NG3 NH3 3DL Solid Color Laminate BL3 GR3 FW3 RW3	B3K Left B3L Right	X9 None <b>Standard</b> A4S Coat Hooks <b>\$53</b> R7 Hanging Bar (24" deep models only) <b>\$81</b>	NL No Lock - <b>Standard</b> LCK2 Requires 2 Lock Core <b>\$154</b>  H5S Assigned User Keyless Lock <b>\$673</b> H5T Shared User Keyless Lock <b>\$673</b>  KML1 Assigned User Keyless Mechanical Lock <b>\$404</b> KML2 Shared User Keyless Mechanical Lock <b>\$404</b>  PHL1 Pad Lock Hasp <b>\$173</b>  <b>NOTE:</b> LCK Locks ordered separately on page 5.	AS No Pull <b>Crest</b>  <b>Era</b>  <b>Forte</b>  <b>Pure</b>  <b>Grip</b>  <b>B3D, SNCK</b> Recessed (Satin Nickel Only) 	BWT Bone White CHLK Chalk MSL Luster Grey BKO Onyx SNCK Satin Nickel	X9 None RM Power <b>\$598</b> H6K Daisy Chainable Power <b>\$663</b>  <b>NOTE:</b> Power feeds and jumpers are purchased separately on page 261.

**HOW TO ORDER**

SPECIFY: Exterior chassis finish | door finish | hinge location | interior options | lock | pull | pull finish | power. See page 11 for a complete offering of finishes.

**MODEL NUMBER**

MM-121860SCDZ

Exterior Chassis Finish	Door Finish	Hinge Location	Interior Options	Lock	Pull	Pull Finish	Power
NW2	NW2	B3K	A4S	LCK2	Crest	MSL	RM

**STORAGE CABINETS LOCKERS (CONT.)**

- Flat top
- 2 hinged Z doors
- 4" recessed toe kick
- Adjustable levelers
- May be installed alone or with multiple cabinets
- In order to complete installation, either cove molding or toe kick rail must be adhered. Order cove molding separately, preferably from a local supplier early in the project. See pages 44 and 45 for toe kick rail offerings.
- All Mile Marker cabinetry is required to be anchored to a wall or floor. Installation hardware is not included with cabinets.

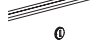

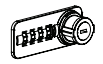


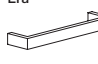
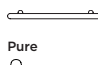

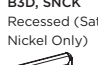

**STORAGE LOCKER WITH Z DOORS**



**24.25" DEEP MODELS**

model	w	d	h	wt	cu ft	List
MM-122460SCDZ	12	24.25	60	125	13.2	\$ 1,071
MM-152460SCDZ	15	24.25	60	128	16.0	\$ 1,183
MM-182460SCDZ	18	24.25	60	130	18.8	\$ 1,297
MM-212460SCDZ	21	24.25	60	133	21.7	\$ 1,365
MM-242460SCDZ	24	24.25	60	135	24.5	\$ 1,510
MM-122466SCDZ	12	24.25	66	130	14.5	\$ 1,148
MM-152466SCDZ	15	24.25	66	133	17.6	\$ 1,269
MM-182466SCDZ	18	24.25	66	135	20.7	\$ 1,391
MM-212466SCDZ	21	24.25	66	138	23.8	\$ 1,467
MM-242466SCDZ	24	24.25	66	140	26.9	\$ 1,619
MM-122472SCDZ	12	24.25	72	135	15.7	\$ 1,280
MM-152472SCDZ	15	24.25	72	138	19.1	\$ 1,411
MM-182472SCDZ	18	24.25	72	140	22.5	\$ 1,543
MM-212472SCDZ	21	24.25	72	143	25.9	\$ 1,655
MM-242472SCDZ	24	24.25	72	145	29.2	\$ 1,843

**OPTIONS**

Exterior Chassis Finish	Door Finish	Hinge Location	Interior Options	Lock	Pull	Pull Finish	Power
TFL Woodgrain Laminate <i>Quartered</i> QE2 DS2 PC2 EN2 CO2 ST2 NW2 <i>Flat Cut</i> LC2 KD2 MH2 MC2 VM2 LM2 BU2 BE2 QR2 <i>Textured Laminate</i> (10% upcharge) NG2 NH2 TFL Solid Color Laminate BL2 GR2 SG2 FW2 RW2	3DL Woodgrain Laminate <i>Quartered</i> QE3 DS3 ST3 EN3 CO3 NW3 PC3 <i>Flat Cut</i> LC3 KD3 MH3 MC3 VM3 LM3 BU3 BE3 <i>Textured Laminate</i> (10% upcharge) NG3 NH3 3DL Solid Color Laminate BL3 GR3 FW3 RW3	B3K Left B3L Right	X9 None <b>Standard</b> A4S Coat Hooks <b>\$53</b> R7 Hanging Bar (24" deep models only) <b>\$81</b>	NL No Lock - <b>Standard</b> LCK2 Requires 2 Lock Core <b>\$154</b>  HSS Assigned User Keyless Lock <b>\$673</b> H5T Shared User Keyless Lock <b>\$673</b>  KML1 Assigned User Keyless Mechanical Lock <b>\$404</b> KML2 Shared User Keyless Mechanical Lock <b>\$404</b>  PHL1 Pad Lock Hasp <b>\$173</b>  <b>NOTE:</b> LCK Locks ordered separately on page 5.	AS No Pull <b>Crest</b>  <b>Era</b>  <b>Forte</b>  <b>Pure</b>  <b>Grip</b>  <b>B3D, SNCK</b> Recessed (Satin Nickel Only) 	BWT Bone White CHLK Chalk MSL Luster Grey BKO Onyx SNCK Satin Nickel	X9 None RM Power <b>\$598</b> H6K Daisy Chainable Power <b>\$663</b>  <b>NOTE:</b> Power feeds and jumpers are purchased separately on page 261.

**HOW TO ORDER**

SPECIFY: Exterior chassis finish | door finish | hinge location | interior options | lock | pull | pull finish | power. See page 11 for a complete offering of finishes.

**MODEL NUMBER**

MM-122460SCDZ

Exterior Chassis Finish	Door Finish	Hinge Location	Interior Options	Lock	Pull	Pull Finish	Power
NW2	NW2	B3K	A4S	LCK2	Crest	MSL	RM

**STORAGE CABINETS LOCKERS (CONT.)**

- Flat top
- 2 hinged Z doors
- 4" recessed toe kick
- Adjustable levelers
- May be installed alone or with multiple cabinets
- In order to complete installation, either cove molding or toe kick rail must be adhered. Order cove molding separately, preferably from a local supplier early in the project. See pages 44 and 45 for toe kick rail offerings.
- All Mile Marker cabinetry is required to be anchored to a wall or floor. Installation hardware is not included with cabinets.

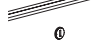









**STORAGE LOCKER WITH Z DOORS**



**24.25" DEEP MODELS**

model	w	d	h	wt	cu ft	List
MM-122478SCDZ	12	24.25	78	140	17.0	\$ 1,423
MM-152478SCDZ	15	24.25	78	143	20.7	\$ 1,530
MM-182478SCDZ	18	24.25	78	145	24.3	\$ 1,637
MM-212478SCDZ	21	24.25	78	148	28.0	\$ 1,735
MM-242478SCDZ	24	24.25	78	150	31.6	\$ 1,909
MM-122484SCDZ	12	24.25	84	145	18.3	\$ 1,564
MM-152484SCDZ	15	24.25	84	148	22.2	\$ 1,695
MM-182484SCDZ	18	24.25	84	150	26.1	\$ 1,826
MM-212484SCDZ	21	24.25	84	153	30.0	\$ 1,938
MM-242484SCDZ	24	24.25	84	155	34.0	\$ 2,126

**OPTIONS**

Exterior Chassis Finish	Door Finish	Hinge Location	Interior Options	Lock	Pull	Pull Finish	Power
TFL Woodgrain Laminate <i>Quartered</i> QE2 DS2 PC2 EN2 CO2 ST2 NW2 <i>Flat Cut</i> LC2 KD2 MH2 MC2 VM2 LM2 BU2 BE2 QR2 <i>Textured Laminate</i> (10% upcharge) NG2 NH2 TFL Solid Color Laminate BL2 GR2 SG2 FW2 RW2	3DL Woodgrain Laminate <i>Quartered</i> QE3 DS3 ST3 EN3 CO3 NW3 PC3 <i>Flat Cut</i> LC3 KD3 MH3 MC3 VM3 LM3 BU3 BE3 <i>Textured Laminate</i> (10% upcharge) NG3 NH3 3DL Solid Color Laminate BL3 GR3 FW3 RW3	B3K Left B3L Right	X9 None <b>Standard</b> A4S Coat Hooks <b>\$53</b> R7 Hanging Bar (24" deep models only) <b>\$81</b>	NL No Lock - <b>Standard</b> LCK2 Requires 2 Lock Core <b>\$154</b>  HSS Assigned User Keyless Lock <b>\$673</b> H5T Shared User Keyless Lock <b>\$673</b>  KML1 Assigned User Keyless Mechanical Lock <b>\$404</b> KML2 Shared User Keyless Mechanical Lock <b>\$404</b>  PHL1 Pad Lock Hasp <b>\$173</b>  <b>NOTE:</b> LCK Locks ordered separately on page 5.	AS No Pull <b>Crest</b>  <b>Era</b>  <b>Forte</b>  <b>Pure</b>  <b>Grip</b>  <b>B3D, SNCK</b> Recessed (Satin Nickel Only) 	BWT Bone White CHLK Chalk MSL Luster Grey BKO Onyx SNCK Satin Nickel	X9 None RM Power <b>\$598</b> H6K Daisy Chainable Power <b>\$663</b>  <b>NOTE:</b> Power feeds and jumpers are purchased separately on page 261.

**HOW TO ORDER**

SPECIFY: Exterior chassis finish | door finish | hinge location | interior options | lock | pull | pull finish | power. See page 11 for a complete offering of finishes.

**MODEL NUMBER**

MM-122460SCDZ

Exterior Chassis Finish	Door Finish	Hinge Location	Interior Options	Lock	Pull	Pull Finish	Power
NW2	NW2	B3K	A4S	LCK2	Crest	MSL	RM

**STORAGE CABINETS LOCKERS**

- Sloped top
- 2 hinged Z doors
- 4" recessed toe kick
- Adjustable levelers
- May be installed alone or with multiple cabinets
- In order to complete installation, either cove molding or toe kick rail must be adhered. Order cove molding separately, preferably from a local supplier early in the project. See pages 44 and 45 for toe kick rail offerings.
- All Mile Marker cabinetry is required to be anchored to a wall or floor. Installation hardware is not included with cabinets.

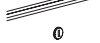
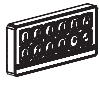



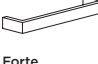




**STORAGE LOCKER WITH Z DOORS SLOPED**



**14" DEEP MODELS**

model	w	d	h	wt	cu ft	List
MM-121465SCDZS	12	14	65	115	8.7	\$ 985
MM-151465SCDZS	15	14	65	118	10.5	\$ 1,035
MM-181465SCDZS	18	14	65	120	12.4	\$ 1,080
MM-211465SCDZS	21	14	65	123	14.3	\$ 1,089
MM-241465SCDZS	24	14	65	125	16.1	\$ 1,175
MM-121471SCDZS	12	14	71	120	9.5	\$ 1,036
MM-151471SCDZS	15	14	71	123	11.5	\$ 1,085
MM-181471SCDZS	18	14	71	125	13.5	\$ 1,136
MM-211471SCDZS	21	14	71	128	15.5	\$ 1,147
MM-241471SCDZS	24	14	71	130	17.6	\$ 1,235
MM-121477SCDZS	12	14	77	125	10.2	\$ 1,101
MM-151477SCDZS	15	14	77	128	12.4	\$ 1,144
MM-181477SCDZS	18	14	77	130	14.6	\$ 1,185
MM-211477SCDZS	21	14	77	133	16.8	\$ 1,241
MM-241477SCDZS	24	14	77	135	19.0	\$ 1,373

**OPTIONS**

Exterior Chassis Finish	Door Finish	Hinge Location	Interior Options	Lock	Pull	Pull Finish	Power
TFL Woodgrain Laminate <i>Quartered</i> QE2 DS2 PC2 EN2 CO2 ST2 NW2 <i>Flat Cut</i> LC2 KD2 MH2 MC2 VM2 LM2 BU2 BE2 QR2 <i>Textured Laminate</i> (10% upcharge) NG2 NH2 TFL Solid Color Laminate BL2 GR2 SG2 FW2 RW2	3DL Woodgrain Laminate <i>Quartered</i> QE3 DS3 ST3 EN3 CO3 NW3 PC3 <i>Flat Cut</i> LC3 KD3 MH3 MC3 VM3 LM3 BU3 BE3 <i>Textured Laminate</i> (10% upcharge) NG3 NH3 3DL Solid Color Laminate BL3 GR3 FW3 RW3	B3K Left B3L Right	X9 None <b>Standard</b> A4S Coat Hooks <b>\$53</b> R7 Hanging Bar (24" deep models only) <b>\$81</b>	NL No Lock - <b>Standard</b> LCK2 Requires 2 Lock Core <b>\$154</b>  H5S Assigned User Keyless Lock <b>\$673</b> H5T Shared User Keyless Lock <b>\$673</b>  KML1 Assigned User Keyless Mechanical Lock <b>\$404</b> KML2 Shared User Keyless Mechanical Lock <b>\$404</b>  PHL1 Pad Lock Hasp <b>\$173</b>  <b>NOTE:</b> LCK Locks ordered separately on page 5.	AS No Pull <b>Crest</b>  <b>Era</b>  <b>Forte</b>  <b>Pure</b>  <b>Grip</b>  <b>B3D, SNCK</b> Recessed (Satin Nickel Only) 	BWT Bone White CHLK Chalk MSL Luster Grey BKO Onyx SNCK Satin Nickel	X9 None RM Power <b>\$598</b> H6K Daisy Chainable Power <b>\$663</b>  <b>NOTE:</b> Power feeds and jumpers are purchased separately on page 261.

**HOW TO ORDER**

SPECIFY: Exterior chassis finish | door finish | hinge location | interior options | lock | pull | pull finish | power. See page 11 for a complete offering of finishes.

**MODEL NUMBER**

MM-121465SCDZS

Exterior Chassis Finish	Door Finish	Hinge Location	Interior Options	Lock	Pull	Pull Finish	Power
NW2	NW2	B3K	A4S	LCK2	Crest	MSL	RM

**STORAGE CABINETS LOCKERS**

- Sloped top
- 2 hinged Z doors
- 4" recessed toe kick
- Adjustable levelers
- May be installed alone or with multiple cabinets
- In order to complete installation, either cove molding or toe kick rail must be adhered. Order cove molding separately, preferably from a local supplier early in the project. See pages 44 and 45 for toe kick rail offerings.
- All Mile Marker cabinetry is required to be anchored to a wall or floor. Installation hardware is not included with cabinets.

**STORAGE LOCKER WITH Z DOORS SLOPED**



**14" DEEP MODELS**

model	w	d	h	wt	cu ft	List
MM-121483SCDZS	12	14	83	130	11.0	\$ 1,173
MM-151483SCDZS	15	14	83	133	13.4	\$ 1,257
MM-181483SCDZS	18	14	83	135	15.7	\$ 1,339
MM-211483SCDZS	21	14	83	138	18.1	\$ 1,386
MM-241483SCDZS	24	14	83	140	20.5	\$ 1,508
MM-121489SCDZS	12	14	89	135	11.8	\$ 1,319
MM-151489SCDZS	15	14	89	138	14.3	\$ 1,427
MM-181489SCDZS	18	14	89	140	16.9	\$ 1,532
MM-211489SCDZS	21	14	89	143	19.4	\$ 1,575
MM-241489SCDZS	24	14	89	145	21.9	\$ 1,693

**OPTIONS**

Exterior Chassis Finish	Door Finish	Hinge Location	Interior Options	Lock	Pull	Pull Finish	Power
TFL Woodgrain Laminate <i>Quartered</i> QE2 DS2 PC2 EN2 CO2 ST2 NW2 <i>Flat Cut</i> LC2 KD2 MH2 MC2 VM2 LM2 BU2 BE2 QR2 <i>Textured Laminate</i> (10% upcharge) NG2 NH2 TFL Solid Color Laminate BL2 GR2 SG2 FW2 RW2	3DL Woodgrain Laminate <i>Quartered</i> QE3 DS3 ST3 EN3 CO3 NW3 PC3 <i>Flat Cut</i> LC3 KD3 MH3 MC3 VM3 LM3 BU3 BE3 <i>Textured Laminate</i> (10% upcharge) NG3 NH3 3DL Solid Color Laminate BL3 GR3 FW3 RW3	B3K Left B3L Right	X9 None <b>Standard</b> A4S Coat Hooks <b>\$53</b> R7 Hanging Bar (24" deep models only) <b>\$81</b>	NL No Lock - <b>Standard</b> LCK2 Requires 2 Lock Core <b>\$154</b>  H5S Assigned User Keyless Lock <b>\$673</b> H5T Shared User Keyless Lock <b>\$673</b>  KML1 Assigned User Keyless Mechanical Lock <b>\$404</b> KML2 Shared User Keyless Mechanical Lock <b>\$404</b>  PHL1 Pad Lock Hasp <b>\$173</b>  <b>NOTE:</b> LCK Locks ordered separately on page 5.	AS No Pull  Crest  Era  Forte  Pure  Grip  B3D, SNCK Recessed (Satin Nickel Only) 	BWT Bone White CHLK Chalk MSL Luster Grey BKO Onyx SNCK Satin Nickel	X9 None RM Power <b>\$598</b> H6K Daisy Chainable Power <b>\$663</b>  <b>NOTE:</b> Power feeds and jumpers are purchased separately on page 261.

**HOW TO ORDER**

SPECIFY: Exterior chassis finish | door finish | hinge location | interior options | lock | pull | pull finish | power. See page 11 for a complete offering of finishes.

**MODEL NUMBER**

MM-121465SCDZS

Exterior Chassis Finish	Door Finish	Hinge Location	Interior Options	Lock	Pull	Pull Finish	Power
NW2	NW2	B3K	A4S	LCK2	Crest	MSL	RM



**STORAGE CABINETS LOCKERS (CONT.)**

- Sloped top
- 2 hinged Z doors
- 4" recessed toe kick
- Adjustable levelers
- May be installed alone or with multiple cabinets
- In order to complete installation, either cove molding or toe kick rail must be adhered. Order cove molding separately, preferably from a local supplier early in the project. See pages 44 and 45 for toe kick rail offerings.
- All Mile Marker cabinetry is required to be anchored to a wall or floor. Installation hardware is not included with cabinets.


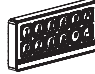
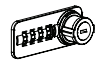






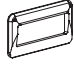
**STORAGE LOCKER WITH Z DOORS SLOPED**



**18.25" DEEP MODELS**

model	w	d	h	wt	cu ft	List
MM-121866SCDZS	12	18.25	66.5	120	11.2	\$ 1,059
MM-151866SCDZS	15	18.25	66.5	123	13.6	\$ 1,100
MM-181866SCDZS	18	18.25	66.5	125	16.1	\$ 1,165
MM-211866SCDZS	21	18.25	66.5	128	18.5	\$ 1,213
MM-241866SCDZS	24	18.25	66.5	130	20.9	\$ 1,338
MM-121872SCDZS	12	18.25	72.5	125	12.2	\$ 1,111
MM-151872SCDZS	15	18.25	72.5	128	14.8	\$ 1,154
MM-181872SCDZS	18	18.25	72.5	130	17.5	\$ 1,225
MM-211872SCDZS	21	18.25	72.5	133	20.1	\$ 1,277
MM-241872SCDZS	24	18.25	72.5	135	22.7	\$ 1,406
MM-121878SCDZS	12	18.25	78.5	130	13.2	\$ 1,192
MM-151878SCDZS	15	18.25	78.5	133	16.0	\$ 1,282
MM-181878SCDZS	18	18.25	78.5	135	18.9	\$ 1,369
MM-211878SCDZS	21	18.25	78.5	138	21.7	\$ 1,453
MM-241878SCDZS	24	18.25	78.5	140	24.5	\$ 1,614

**OPTIONS**

Exterior Chassis Finish	Door Finish	Hinge Location	Interior Options	Lock	Pull	Pull Finish	Power
TFL Woodgrain Laminate <i>Quartered</i> QE2 DS2 PC2 EN2 CO2 ST2 NW2 <i>Flat Cut</i> LC2 KD2 MH2 MC2 VM2 LM2 BU2 BE2 QR2 <i>Textured Laminate</i> (10% upcharge) NG2 NH2 TFL Solid Color Laminate BL2 GR2 SG2 FW2 RW2	3DL Woodgrain Laminate <i>Quartered</i> QE3 DS3 ST3 EN3 CO3 NW3 PC3 <i>Flat Cut</i> LC3 KD3 MH3 MC3 VM3 LM3 BU3 BE3 <i>Textured Laminate</i> (10% upcharge) NG3 NH3 3DL Solid Color Laminate BL3 GR3 FW3 RW3	B3K Left B3L Right	X9 None <b>Standard</b> A4S Coat Hooks <b>\$53</b> R7 Hanging Bar (24" deep models only) <b>\$81</b>	NL No Lock - <b>Standard</b> LCK2 Requires 2 Lock Core <b>\$154</b>  HSS Assigned User Keyless Lock <b>\$673</b> H5T Shared User Keyless Lock <b>\$673</b>  KML1 Assigned User Keyless Mechanical Lock <b>\$404</b> KML2 Shared User Keyless Mechanical Lock <b>\$404</b>  PHL1 Pad Lock Hasp <b>\$173</b>  <b>NOTE:</b> LCK Locks ordered separately on page 5.	AS No Pull <b>Crest</b>  <b>Era</b>  <b>Forte</b>  <b>Pure</b>  <b>Grip</b>  <b>B3D, SNCK</b> Recessed (Satin Nickel Only) 	BWT Bone White CHLK Chalk MSL Luster Grey BKO Onyx SNCK Satin Nickel	X9 None RM Power <b>\$598</b> H6K Daisy Chainable Power <b>\$663</b>  <b>NOTE:</b> Power feeds and jumpers are purchased separately on page 261.

**HOW TO ORDER**

SPECIFY: Exterior chassis finish | door finish | hinge location | interior options | lock | pull | pull finish | power. See page 11 for a complete offering of finishes.

**MODEL NUMBER**

MM-121866SCDZS

Exterior Chassis Finish	Door Finish	Hinge Location	Interior Options	Lock	Pull	Pull Finish	Power
NW2	NW2	B3K	A4S	LCK2	Crest	MSL	RM

**STORAGE CABINETS LOCKERS (CONT.)**

- Sloped top
- 2 hinged Z doors
- 4" recessed toe kick
- Adjustable levelers
- May be installed alone or with multiple cabinets
- In order to complete installation, either cove molding or toe kick rail must be adhered. Order cove molding separately, preferably from a local supplier early in the project. See pages 44 and 45 for toe kick rail offerings.
- All Mile Marker cabinetry is required to be anchored to a wall or floor. Installation hardware is not included with cabinets.

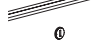
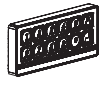



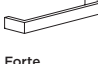




**STORAGE LOCKER WITH Z DOORS SLOPED**



**18.25" DEEP MODELS**

model	w	d	h	wt	cu ft	List
MM-121884SCDZS	12	18.25	84.5	135	14.2	\$ 1,333
MM-151884SCDZS	15	18.25	84.5	138	17.2	\$ 1,424
MM-181884SCDZS	18	18.25	84.5	140	20.3	\$ 1,515
MM-211884SCDZS	21	18.25	84.5	143	23.3	\$ 1,598
MM-241884SCDZS	24	18.25	84.5	145	26.4	\$ 1,757
MM-121890SCDZS	12	18.25	90.5	140	15.2	\$ 1,471
MM-151890SCDZS	15	18.25	90.5	143	18.4	\$ 1,575
MM-181890SCDZS	18	18.25	90.5	145	21.7	\$ 1,675
MM-211890SCDZS	21	18.25	90.5	148	24.9	\$ 1,803
MM-241890SCDZS	24	18.25	90.5	150	28.2	\$ 2,008

**OPTIONS**

Exterior Chassis Finish	Door Finish	Hinge Location	Interior Options	Lock	Pull	Pull Finish	Power
TFL Woodgrain Laminate <i>Quartered</i> QE2 DS2 PC2 EN2 CO2 ST2 NW2 <i>Flat Cut</i> LC2 KD2 MH2 MC2 VM2 LM2 BU2 BE2 QR2 <i>Textured Laminate</i> (10% upcharge) NG2 NH2 TFL Solid Color Laminate BL2 GR2 SG2 FW2 RW2	3DL Woodgrain Laminate <i>Quartered</i> QE3 DS3 ST3 EN3 CO3 NW3 PC3 <i>Flat Cut</i> LC3 KD3 MH3 MC3 VM3 LM3 BU3 BE3 <i>Textured Laminate</i> (10% upcharge) NG3 NH3 3DL Solid Color Laminate BL3 GR3 FW3 RW3	B3K Left B3L Right	X9 None <b>Standard</b> A4S Coat Hooks <b>\$53</b> R7 Hanging Bar (24" deep models only) <b>\$81</b>	NL No Lock - <b>Standard</b> LCK2 Requires 2 Lock Core <b>\$154</b>  HSS Assigned User Keyless Lock <b>\$673</b> H5T Shared User Keyless Lock <b>\$673</b>  KML1 Assigned User Keyless Mechanical Lock <b>\$404</b> KML2 Shared User Keyless Mechanical Lock <b>\$404</b>  PHL1 Pad Lock Hasp <b>\$173</b>  <b>NOTE:</b> LCK Locks ordered separately on page 5.	AS No Pull <b>Crest</b>  <b>Era</b>  <b>Forte</b>  <b>Pure</b>  <b>Grip</b>  <b>B3D, SNCK</b> Recessed (Satin Nickel Only) 	BWT Bone White CHLK Chalk MSL Luster Grey BKO Onyx SNCK Satin Nickel	X9 None RM Power <b>\$598</b> H6K Daisy Chainable Power <b>\$663</b>  <b>NOTE:</b> Power feeds and jumpers are purchased separately on page 261.

**HOW TO ORDER**

SPECIFY: Exterior chassis finish | door finish | hinge location | interior options | lock | pull | pull finish | power. See page 11 for a complete offering of finishes.

**MODEL NUMBER**

MM-121866SCDZS

Exterior Chassis Finish	Door Finish	Hinge Location	Interior Options	Lock	Pull	Pull Finish	Power
NW2	NW2	B3K	A4S	LCK2	Crest	MSL	RM

**STORAGE CABINETS LOCKERS (CONT.)**

- Sloped top
- 2 hinged Z doors
- 4" recessed toe kick
- Adjustable levelers
- May be installed alone or with multiple cabinets
- In order to complete installation, either cove molding or toe kick rail must be adhered. Order cove molding separately, preferably from a local supplier early in the project. See pages 44 and 45 for toe kick rail offerings.
- All Mile Marker cabinetry is required to be anchored to a wall or floor. Installation hardware is not included with cabinets.

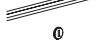
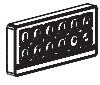



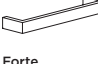




**STORAGE LOCKER WITH Z DOORS SLOPED**



**24.25" DEEP MODELS**

model	w	d	h	wt	cu ft	List
MM-122468SCDZS	12	24.25	68.5	125	15.0	\$ 1,164
MM-152468SCDZS	15	24.25	68.5	128	18.2	\$ 1,279
MM-182468SCDZS	18	24.25	68.5	130	21.4	\$ 1,396
MM-212468SCDZS	21	24.25	68.5	133	24.6	\$ 1,451
MM-242468SCDZS	24	24.25	68.5	135	27.8	\$ 1,583
MM-122474SCDZS	12	24.25	74.5	130	16.3	\$ 1,220
MM-152474SCDZS	15	24.25	74.5	133	19.8	\$ 1,344
MM-182474SCDZS	18	24.25	74.5	135	23.2	\$ 1,466
MM-212474SCDZS	21	24.25	74.5	138	26.7	\$ 1,527
MM-242474SCDZS	24	24.25	74.5	140	30.2	\$ 1,664
MM-122480SCDZS	12	24.25	80.5	135	17.5	\$ 1,353
MM-152480SCDZS	15	24.25	80.5	138	21.3	\$ 1,485
MM-182480SCDZS	18	24.25	80.5	140	25.1	\$ 1,617
MM-212480SCDZS	21	24.25	80.5	143	28.8	\$ 1,727
MM-242480SCDZS	24	24.25	80.5	145	32.6	\$ 1,915

**OPTIONS**

Exterior Chassis Finish	Door Finish	Hinge Location	Interior Options	Lock	Pull	Pull Finish	Power
TFL Woodgrain Laminate <i>Quartered</i> QE2 DS2 PC2 EN2 CO2 ST2 NW2 <i>Flat Cut</i> LC2 KD2 MH2 MC2 VM2 LM2 BU2 BE2 QR2 <i>Textured Laminate</i> (10% upcharge) NG2 NH2 TFL Solid Color Laminate BL2 GR2 SG2 FW2 RW2	3DL Woodgrain Laminate <i>Quartered</i> QE3 DS3 ST3 EN3 CO3 NW3 PC3 <i>Flat Cut</i> LC3 KD3 MH3 MC3 VM3 LM3 BU3 BE3 <i>Textured Laminate</i> (10% upcharge) NG3 NH3 3DL Solid Color Laminate BL3 GR3 FW3 RW3	B3K Left B3L Right	X9 None <b>Standard</b> A4S Coat Hooks <b>\$53</b> R7 Hanging Bar (24" deep models only) <b>\$81</b>	NL No Lock - <b>Standard</b> LCK2 Requires 2 Lock Core <b>\$154</b>  H5S Assigned User Keyless Lock <b>\$673</b> H5T Shared User Keyless Lock <b>\$673</b>  KML1 Assigned User Keyless Mechanical Lock <b>\$404</b> KML2 Shared User Keyless Mechanical Lock <b>\$404</b>  PHL1 Pad Lock Hasp <b>\$173</b>  <b>NOTE:</b> LCK Locks ordered separately on page 5.	AS No Pull <b>Crest</b>  <b>Era</b>  <b>Forte</b>  <b>Pure</b>  <b>Grip</b>  <b>B3D, SNCK</b> Recessed (Satin Nickel Only) 	BWT Bone White CHLK Chalk MSL Luster Grey BKO Onyx SNCK Satin Nickel	X9 None RM Power <b>\$598</b> H6K Daisy Chainable Power <b>\$663</b>  <b>NOTE:</b> Power feeds and jumpers are purchased separately on page 261.

**HOW TO ORDER**

SPECIFY: Exterior chassis finish | door finish | hinge location | interior options | lock | pull | pull finish | power. See page 11 for a complete offering of finishes.

**MODEL NUMBER**

MM-122468SCDZS

Exterior Chassis Finish	Door Finish	Hinge Location	Interior Options	Lock	Pull	Pull Finish	Power
NW2	NW2	B3K	A4S	LCK2	Crest	MSL	RM

**STORAGE CABINETS LOCKERS (CONT.)**

- Sloped top
- 2 hinged Z doors
- 4" recessed toe kick
- Adjustable levelers
- May be installed alone or with multiple cabinets
- In order to complete installation, either cove molding or toe kick rail must be adhered. Order cove molding separately, preferably from a local supplier early in the project. See pages 44 and 45 for toe kick rail offerings.
- All Mile Marker cabinetry is required to be anchored to a wall or floor. Installation hardware is not included with cabinets.

**STORAGE LOCKER WITH Z DOORS SLOPED**



**24.25" DEEP MODELS**

model	w	d	h	wt	cu ft	List
MM-122486SCDZS	12	24.25	86.5	140	18.8	\$ 1,497
MM-152486SCDZS	15	24.25	86.5	143	22.9	\$ 1,606
MM-182486SCDZS	18	24.25	86.5	145	26.9	\$ 1,711
MM-212486SCDZS	21	24.25	86.5	148	30.9	\$ 1,809
MM-242486SCDZS	24	24.25	86.5	150	35.0	\$ 1,985
MM-122492SCDZS	12	24.25	92.5	145	20.1	\$ 1,638
MM-152492SCDZS	15	24.25	92.5	148	24.4	\$ 1,778
MM-182492SCDZS	18	24.25	92.5	150	28.7	\$ 1,916
MM-212492SCDZS	21	24.25	92.5	153	33.0	\$ 2,018
MM-242492SCDZS	24	24.25	92.5	155	37.3	\$ 2,196

**OPTIONS**

Exterior Chassis Finish	Door Finish	Hinge Location	Interior Options	Lock	Pull	Pull Finish	Power
TFL Woodgrain Laminate <i>Quartered</i> QE2 DS2 PC2 EN2 CO2 ST2 NW2 <i>Flat Cut</i> LC2 KD2 MH2 MC2 VM2 LM2 BU2 BE2 QR2 <i>Textured Laminate</i> (10% upcharge) NG2 NH2 TFL Solid Color Laminate BL2 GR2 SG2 FW2 RW2	3DL Woodgrain Laminate <i>Quartered</i> QE3 DS3 ST3 EN3 CO3 NW3 PC3 <i>Flat Cut</i> LC3 KD3 MH3 MC3 VM3 LM3 BU3 BE3 <i>Textured Laminate</i> (10% upcharge) NG3 NH3 3DL Solid Color Laminate BL3 GR3 FW3 RW3	B3K Left B3L Right	X9 None <b>Standard</b> A4S Coat Hooks <b>\$53</b> R7 Hanging Bar (24" deep models only) <b>\$81</b>	NL No Lock - <b>Standard</b> LCK2 Requires 2 Lock Core <b>\$154</b>  H5S Assigned User Keyless Lock <b>\$673</b> H5T Shared User Keyless Lock <b>\$673</b>  KML1 Assigned User Keyless Mechanical Lock <b>\$404</b> KML2 Shared User Keyless Mechanical Lock <b>\$404</b>  PHL1 Pad Lock Hasp <b>\$173</b>  <b>NOTE:</b> LCK Locks ordered separately on page 5.	AS No Pull <b>Crest</b>  <b>Era</b>  <b>Forte</b>  <b>Pure</b>  <b>Grip</b>  <b>B3D, SNCK</b> Recessed (Satin Nickel Only) 	BWT Bone White CHLK Chalk MSL Luster Grey BKO Onyx SNCK Satin Nickel	X9 None RM Power <b>\$598</b> H6K Daisy Chainable Power <b>\$663</b> <b>NOTE:</b> Power feeds and jumpers are purchased separately on page 261.

**HOW TO ORDER**

SPECIFY: Exterior chassis finish | door finish | hinge location | interior options | lock | pull | pull finish | power. See page 11 for a complete offering of finishes.

**MODEL NUMBER**

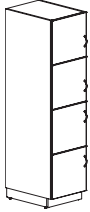
MM-122468SCDZS

Exterior Chassis Finish	Door Finish	Hinge Location	Interior Options	Lock	Pull	Pull Finish	Power
NW2	NW2	B3K	A4S	LCK2	Crest	MSL	RM

**STORAGE CABINETS LOCKERS**

- Flat top
- 4 hinged doors
- 4" recessed toe kick
- Adjustable levelers
- May be installed alone or with multiple cabinets
- In order to complete installation, either cove molding or toe kick rail must be adhered. Order cove molding separately, preferably from a local supplier early in the project. See pages 44 and 45 for toe kick rail offerings.
- All Mile Marker cabinetry is required to be anchored to a wall or floor. Installation hardware is not included with cabinets.

**STORAGE LOCKER WITH 4 DOORS**



**14" DEEP MODELS**

model	w	d	h	wt	cu ft	List
MM-121460SCD4	12	14	60	115	8.0	\$ 892
MM-151460SCD4	15	14	60	118	9.8	\$ 941
MM-181460SCD4	18	14	60	120	11.5	\$ 987
MM-211460SCD4	21	14	60	123	13.2	\$ 979
MM-241460SCD4	24	14	60	125	14.9	\$ 1,075
MM-121466SCD4	12	14	66	120	8.8	\$ 957
MM-151466SCD4	15	14	66	123	10.7	\$ 1,008
MM-181466SCD4	18	14	66	125	12.6	\$ 1,055
MM-211466SCD4	21	14	66	128	14.5	\$ 1,052
MM-241466SCD4	24	14	66	130	16.4	\$ 1,152
MM-121472SCD4	12	14	72	125	9.6	\$ 1,026
MM-151472SCD4	15	14	72	128	11.6	\$ 1,067
MM-181472SCD4	18	14	72	130	13.7	\$ 1,105
MM-211472SCD4	21	14	72	133	15.8	\$ 1,145
MM-241472SCD4	24	14	72	135	17.8	\$ 1,286

**OPTIONS**

Exterior Chassis Finish	Door Finish	Door Edge Finish	Hinge Location	Hinge	Interior Options	Lock	Pull	Pull Finish	Power
TFL Woodgrain Laminate <i>Quartered</i> QE2 DS2 PC2 EN2 CO2 ST2 NW2 <i>Flat Cut</i> LC2 KD2 MH2 MC2 VM2 LM2 BU2 BE2 QR2 <i>Textured Laminate (10% upcharge)</i> NG2 NH2 TFL Solid Color Laminate BL2 GR2 SG2 FW2 RW2	TFL Woodgrain Laminate <i>Quartered</i> QE2 DS2 PC2 EN2 CO2 ST2 NW2 <i>Flat Cut</i> LC2 KD2 MH2 MC2 VM2 LM2 BU2 BE2 QR2 <i>Textured Laminate (10% upcharge)</i> NG2 NH2 TFL Solid Color Laminate BL2 GR2 SG2 FW2 RW2	TFL Woodgrain Laminate <i>Quartered</i> QE2 DS2 PC2 EN2 CO2 ST2 NW2 <i>Flat Cut</i> LC2 KD2 MH2 MC2 VM2 LM2 BU2 BE2 QR2 <i>Textured Laminate (10% upcharge)</i> NG2 NH2 TFL Solid Color Laminate BL2 GR2 SG2 FW2 RW2	B3K Left B3L Right	B3G Euro Soft Close Standard B3J 5 Knuckle B3H Euro Knuckle \$117	X9 None Standard A4S Coat Hooks \$108	NL No Lock - Standard LCK4 Requires 4 Lock Core \$308 H5S Assigned User Keyless Lock \$1,345 H5T Shared User Keyless Lock \$1,345 KML1 Assigned User Keyless Mechanical Lock \$808 KML2 Shared User Keyless Mechanical Lock \$808 PHL1 Pad Lock Hasp \$348 NOTE: LCK Locks ordered separately on page 5.	AS No Pull Crest Era Forte Pure Grip B3D, SNCK Recessed (Satin Nickel Only)	BWT Bone White CHLK Chalk MSL Luster Grey BKO Onyx SNCK Satin Nickel	X9 None RM Power \$1,198 H6K Daisy Chainable Power \$1,339 NOTE: Power feeds and jumpers are purchased separately on page 261.

**HOW TO ORDER**

SPECIFY: Exterior chassis finish | door finish | door edge finish | hinge location | hinge | interior options | lock | pull | pull finish | power. See page 11 for a complete offering of finishes.

**MODEL NUMBER**

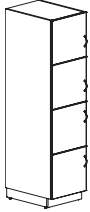
MM-121460SCD4

Exterior Chassis Finish	Door Finish	Door Edge Finish	Hinge Location	Hinge	Interior Options	Lock	Pull	Pull Finish	Power
NW2	NW2	NW2	B3K	B3G	A4S	LCK4	Crest	MSL	RM

**STORAGE CABINETS LOCKERS**

- Flat top
- 4 hinged doors
- 4" recessed toe kick
- Adjustable levelers
- May be installed alone or with multiple cabinets
- In order to complete installation, either cove molding or toe kick rail must be adhered. Order cove molding separately, preferably from a local supplier early in the project. See pages 44 and 45 for toe kick rail offerings.
- All Mile Marker cabinetry is required to be anchored to a wall or floor. Installation hardware is not included with cabinets.

**STORAGE LOCKER WITH 4 DOORS**



**14" DEEP MODELS**

model	w	d	h	wt	cu ft	List
MM-121478SCD4	12	14	78	130	10.4	\$ 1,091
MM-151478SCD4	15	14	78	133	12.6	\$ 1,177
MM-181478SCD4	18	14	78	135	14.8	\$ 1,260
MM-211478SCD4	21	14	78	138	17.0	\$ 1,293
MM-241478SCD4	24	14	78	140	19.3	\$ 1,429
MM-121484SCD4	12	14	84	135	11.1	\$ 1,235
MM-151484SCD4	15	14	84	138	13.5	\$ 1,341
MM-181484SCD4	18	14	84	140	15.9	\$ 1,443
MM-211484SCD4	21	14	84	143	18.3	\$ 1,475
MM-241484SCD4	24	14	84	145	20.7	\$ 1,611

**OPTIONS**

Exterior Chassis Finish	Door Finish	Door Edge Finish	Hinge Location	Hinge	Interior Options	Lock	Pull	Pull Finish	Power
TFL Woodgrain Laminate <i>Quartered</i> QE2 DS2 PC2 EN2 CO2 ST2 NW2 <i>Flat Cut</i> LC2 KD2 MH2 MC2 VM2 LM2 BU2 BE2 QR2 <i>Textured Laminate (10% upcharge)</i> NG2 NH2 TFL Solid Color Laminate BL2 GR2 SG2 FW2 RW2	TFL Woodgrain Laminate <i>Quartered</i> QE2 DS2 PC2 EN2 CO2 ST2 NW2 <i>Flat Cut</i> LC2 KD2 MH2 MC2 VM2 LM2 BU2 BE2 QR2 <i>Textured Laminate (10% upcharge)</i> NG2 NH2 TFL Solid Color Laminate BL2 GR2 SG2 FW2 RW2	TFL Woodgrain Laminate <i>Quartered</i> QE2 DS2 PC2 EN2 CO2 ST2 NW2 <i>Flat Cut</i> LC2 KD2 MH2 MC2 VM2 LM2 BU2 BE2 QR2 <i>Textured Laminate (10% upcharge)</i> NG2 NH2 TFL Solid Color Laminate BL2 GR2 SG2 FW2 RW2	B3K Left B3L Right	B3G Euro Soft Close Standard B3J 5 Knuckle B3H Euro Knuckle \$117	X9 None Standard A4S Coat Hooks \$108	NL No Lock - Standard LCK4 Requires 4 Lock Core \$308 H5S Assigned User Keyless Lock \$1,345 H5T Shared User Keyless Lock \$1,345 KML1 Assigned User Keyless Mechanical Lock \$808 KML2 Shared User Keyless Mechanical Lock \$808 PHL1 Pad Lock Hasp \$348 NOTE: LCK Locks ordered separately on page 5.	AS No Pull Crest Era Forte Pure Grip B3D, SNCK Recessed (Satin Nickel Only)	BWT Bone White CHLK Chalk MSL Luster Grey BKO Onyx SNCK Satin Nickel	X9 None RM Power \$1,198 H6K Daisy Chainable Power \$1,339 NOTE: Power feeds and jumpers are purchased separately on page 261.

**HOW TO ORDER**

SPECIFY: Exterior chassis finish | door finish | door edge finish | hinge location | hinge | interior options | lock | pull | pull finish | power. See page 11 for a complete offering of finishes.

**MODEL NUMBER**

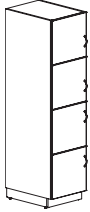
MM-121460SCD4

Exterior Chassis Finish	Door Finish	Door Edge Finish	Hinge Location	Hinge	Interior Options	Lock	Pull	Pull Finish	Power
NW2	NW2	NW2	B3K	B3G	A4S	LCK4	Crest	MSL	RM

**STORAGE CABINETS LOCKERS (CONT.)**

- Flat top
- 4 hinged doors
- 4" recessed toe kick
- Adjustable levelers
- May be installed alone or with multiple cabinets
- In order to complete installation, either cove molding or toe kick rail must be adhered. Order cove molding separately, preferably from a local supplier early in the project. See pages 44 and 45 for toe kick rail offerings.
- All Mile Marker cabinetry is required to be anchored to a wall or floor. Installation hardware is not included with cabinets.

**STORAGE LOCKER WITH 4 DOORS**



**18.25" DEEP MODELS**

model	w	d	h	wt	cu ft	List
MM-121860SCD4	12	18.25	60	120	10.2	\$ 964
MM-151860SCD4	15	18.25	60	123	12.4	\$ 1,013
MM-181860SCD4	18	18.25	60	125	14.5	\$ 1,062
MM-211860SCD4	21	18.25	60	128	16.7	\$ 1,097
MM-241860SCD4	24	18.25	60	130	18.9	\$ 1,233
MM-121866SCD4	12	18.25	66	125	11.2	\$ 1,033
MM-151866SCD4	15	18.25	66	128	13.5	\$ 1,084
MM-181866SCD4	18	18.25	66	130	15.9	\$ 1,137
MM-211866SCD4	21	18.25	66	133	18.3	\$ 1,178
MM-241866SCD4	24	18.25	66	135	20.7	\$ 1,321
MM-121872SCD4	12	18.25	72	130	12.1	\$ 1,109
MM-151872SCD4	15	18.25	72	133	14.7	\$ 1,198
MM-181872SCD4	18	18.25	72	135	17.3	\$ 1,283
MM-211872SCD4	21	18.25	72	138	19.9	\$ 1,352
MM-241872SCD4	24	18.25	72	140	22.5	\$ 1,523

**OPTIONS**

Exterior Chassis Finish	Door Finish	Door Edge Finish	Hinge Location	Hinge	Interior Options	Lock	Pull	Pull Finish	Power
TFL Woodgrain Laminate <i>Quartered</i> QE2 DS2 PC2 EN2 CO2 ST2 NW2 <i>Flat Cut</i> LC2 KD2 MH2 MC2 VM2 LM2 BU2 BE2 QR2 <i>Textured Laminate (10% upcharge)</i> NG2 NH2 TFL Solid Color Laminate BL2 GR2 SG2 FW2 RW2	TFL Woodgrain Laminate <i>Quartered</i> QE2 DS2 PC2 EN2 CO2 ST2 NW2 <i>Flat Cut</i> LC2 KD2 MH2 MC2 VM2 LM2 BU2 BE2 QR2 <i>Textured Laminate (10% upcharge)</i> NG2 NH2 TFL Solid Color Laminate BL2 GR2 SG2 FW2 RW2	TFL Woodgrain Laminate <i>Quartered</i> QE2 DS2 PC2 EN2 CO2 ST2 NW2 <i>Flat Cut</i> LC2 KD2 MH2 MC2 VM2 LM2 BU2 BE2 QR2 <i>Textured Laminate (10% upcharge)</i> NG2 NH2 TFL Solid Color Laminate BL2 GR2 SG2 FW2 RW2	B3K Left B3L Right	B3G Euro Soft Close Standard  B3J 5 Knuckle  B3H Euro Knuckle \$117 	X9 None Standard A4S Coat Hooks \$108	NL No Lock - Standard LCK4 Requires 4 Lock Core \$308  H5S Assigned User Keyless Lock \$1,345 H5T Shared User Keyless Lock \$1,345  KML1 Assigned User Keyless Mechanical Lock \$808 KML2 Shared User Keyless Mechanical Lock \$808  PHL1 Pad Lock Hasp \$348  NOTE: LCK Locks ordered separately on page 5.	AS No Pull Crest  Era  Forte  Pure  Grip  B3D, SNCK Recessed (Satin Nickel Only) 	BWT Bone White CHLK Chalk MSL Luster Grey BKO Onyx SNCK Satin Nickel	X9 None RM Power \$1,198 H6K Daisy Chainable Power \$1,339 NOTE: Power feeds and jumpers are purchased separately on page 261.

**HOW TO ORDER**

SPECIFY: Exterior chassis finish | door finish | door edge finish | hinge location | hinge | interior options | lock | pull | pull finish | power. See page 11 for a complete offering of finishes.

**MODEL NUMBER**

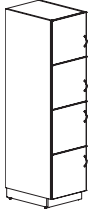
MM-121860SCD4

Exterior Chassis Finish	Door Finish	Door Edge Finish	Hinge Location	Hinge	Interior Options	Lock	Pull	Pull Finish	Power
NW2	NW2	NW2	B3K	B3G	A4S	LCK4	Crest	MSL	RM

**STORAGE CABINETS LOCKERS (CONT.)**

- Flat top
- 4 hinged doors
- 4" recessed toe kick
- Adjustable levelers
- May be installed alone or with multiple cabinets
- In order to complete installation, either cove molding or toe kick rail must be adhered. Order cove molding separately, preferably from a local supplier early in the project. See pages 44 and 45 for toe kick rail offerings.
- All Mile Marker cabinetry is required to be anchored to a wall or floor. Installation hardware is not included with cabinets.

**STORAGE LOCKER WITH 4 DOORS**



**18.25" DEEP MODELS**

model	w	d	h	wt	cu ft	List
MM-121878SCD4	12	18.25	78	135	13.1	\$ 1,246
MM-151878SCD4	15	18.25	78	138	15.9	\$ 1,341
MM-181878SCD4	18	18.25	78	140	18.8	\$ 1,433
MM-211878SCD4	21	18.25	78	143	21.6	\$ 1,498
MM-241878SCD4	24	18.25	78	145	24.4	\$ 1,665
MM-121884SCD4	12	18.25	84	140	14.1	\$ 1,385
MM-151884SCD4	15	18.25	84	143	17.1	\$ 1,484
MM-181884SCD4	18	18.25	84	145	20.2	\$ 1,585
MM-211884SCD4	21	18.25	84	148	23.2	\$ 1,696
MM-241884SCD4	24	18.25	84	150	26.2	\$ 1,910

**OPTIONS**

Exterior Chassis Finish	Door Finish	Door Edge Finish	Hinge Location	Hinge	Interior Options	Lock	Pull	Pull Finish	Power
TFL Woodgrain Laminate <i>Quartered</i> QE2 DS2 PC2 EN2 CO2 ST2 NW2 <i>Flat Cut</i> LC2 KD2 MH2 MC2 VM2 LM2 BU2 BE2 QR2 <i>Textured Laminate (10% upcharge)</i> NG2 NH2 TFL Solid Color Laminate BL2 GR2 SG2 FW2 RW2	TFL Woodgrain Laminate <i>Quartered</i> QE2 DS2 PC2 EN2 CO2 ST2 NW2 <i>Flat Cut</i> LC2 KD2 MH2 MC2 VM2 LM2 BU2 BE2 QR2 <i>Textured Laminate (10% upcharge)</i> NG2 NH2 TFL Solid Color Laminate BL2 GR2 SG2 FW2 RW2	TFL Woodgrain Laminate <i>Quartered</i> QE2 DS2 PC2 EN2 CO2 ST2 NW2 <i>Flat Cut</i> LC2 KD2 MH2 MC2 VM2 LM2 BU2 BE2 QR2 <i>Textured Laminate (10% upcharge)</i> NG2 NH2 TFL Solid Color Laminate BL2 GR2 SG2 FW2 RW2	B3K Left B3L Right	B3G Euro Soft Close Standard  B3J 5 Knuckle  B3H Euro Knuckle \$117 	X9 None Standard A4S Coat Hooks \$108	NL No Lock - Standard LCK4 Requires 4 Lock Core \$308  H5S Assigned User Keyless Lock \$1,345 H5T Shared User Keyless Lock \$1,345   KML1 Assigned User Keyless Mechanical Lock \$808 KML2 Shared User Keyless Mechanical Lock \$808   PHL1 Pad Lock Hasp \$348  NOTE: LCK Locks ordered separately on page 5.	AS No Pull Crest  Era  Forte  Pure  Grip  B3D, SNCK Recessed (Satin Nickel Only) 	BWT Bone White CHLK Chalk MSL Luster Grey BKO Onyx SNCK Satin Nickel	X9 None RM Power \$1,198 H6K Daisy Chainable Power \$1,339 NOTE: Power feeds and jumpers are purchased separately on page 261.

**HOW TO ORDER**

SPECIFY: Exterior chassis finish | door finish | door edge finish | hinge location | hinge | interior options | lock | pull | pull finish | power. See page 11 for a complete offering of finishes.

**MODEL NUMBER**

MM-121860SCD4

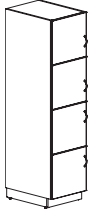
Exterior Chassis Finish	Door Finish	Door Edge Finish	Hinge Location	Hinge	Interior Options	Lock	Pull	Pull Finish	Power
NW2	NW2	NW2	B3K	B3G	A4S	LCK4	Crest	MSL	RM



**STORAGE CABINETS LOCKERS (CONT.)**

- Flat top
- 4 hinged doors
- 4" recessed toe kick
- Adjustable levelers
- May be installed alone or with multiple cabinets
- In order to complete installation, either cove molding or toe kick rail must be adhered. Order cove molding separately, preferably from a local supplier early in the project. See pages 44 and 45 for toe kick rail offerings.
- All Mile Marker cabinetry is required to be anchored to a wall or floor. Installation hardware is not included with cabinets.

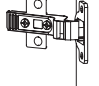
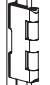









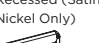

**STORAGE LOCKER WITH 4 DOORS**



**24.25" DEEP MODELS**

model	w	d	h	wt	cu ft	List
MM-122460SCD4	12	24.25	60	125	13.2	\$ 1,065
MM-152460SCD4	15	24.25	60	128	16.0	\$ 1,174
MM-182460SCD4	18	24.25	60	130	18.8	\$ 1,285
MM-212460SCD4	21	24.25	60	133	21.7	\$ 1,339
MM-242460SCD4	24	24.25	60	135	24.5	\$ 1,495
MM-122466SCD4	12	24.25	66	130	14.5	\$ 1,139
MM-152466SCD4	15	24.25	66	133	17.6	\$ 1,260
MM-182466SCD4	18	24.25	66	135	20.7	\$ 1,378
MM-212466SCD4	21	24.25	66	138	23.8	\$ 1,440
MM-242466SCD4	24	24.25	66	140	26.9	\$ 1,603
MM-122472SCD4	12	24.25	72	135	15.7	\$ 1,269
MM-152472SCD4	15	24.25	72	138	19.1	\$ 1,398
MM-182472SCD4	18	24.25	72	140	22.5	\$ 1,526
MM-212472SCD4	21	24.25	72	143	25.9	\$ 1,622
MM-242472SCD4	24	24.25	72	145	29.2	\$ 1,821

**OPTIONS**

Exterior Chassis Finish	Door Finish	Door Edge Finish	Hinge Location	Hinge	Interior Options	Lock	Pull	Pull Finish	Power
TFL Woodgrain Laminate <i>Quartered</i> QE2 DS2 PC2 EN2 CO2 ST2 NW2 <i>Flat Cut</i> LC2 KD2 MH2 MC2 VM2 LM2 BU2 BE2 QR2 <i>Textured Laminate (10% upcharge)</i> NG2 NH2 TFL Solid Color Laminate BL2 GR2 SG2 FW2 RW2	TFL Woodgrain Laminate <i>Quartered</i> QE2 DS2 PC2 EN2 CO2 ST2 NW2 <i>Flat Cut</i> LC2 KD2 MH2 MC2 VM2 LM2 BU2 BE2 QR2 <i>Textured Laminate (10% upcharge)</i> NG2 NH2 TFL Solid Color Laminate BL2 GR2 SG2 FW2 RW2	TFL Woodgrain Laminate <i>Quartered</i> QE2 DS2 PC2 EN2 CO2 ST2 NW2 <i>Flat Cut</i> LC2 KD2 MH2 MC2 VM2 LM2 BU2 BE2 QR2 <i>Textured Laminate (10% upcharge)</i> NG2 NH2 TFL Solid Color Laminate BL2 GR2 SG2 FW2 RW2	B3K Left B3L Right	B3G Euro Soft Close Standard  B3J 5 Knuckle  B3H Euro Knuckle \$117 	X9 None Standard A4S Coat Hooks \$108	NL No Lock - Standard LCK4 Requires 4 Lock Core \$308  H5S Assigned User Keyless Lock \$1,345 H5T Shared User Keyless Lock \$1,345  KML1 Assigned User Keyless Mechanical Lock \$808 KML2 Shared User Keyless Mechanical Lock \$808  PHL1 Pad Lock Hasp \$348  <b>NOTE:</b> LCK Locks ordered separately on page 5.	AS No Pull Crest  Era  Forte  Pure  Grip  B3D, SNCK Recessed (Satin Nickel Only) 	BWT Bone White CHLK Chalk MSL Luster Grey BKO Onyx SNCK Satin Nickel	X9 None RM Power \$1,198 H6K Daisy Chainable Power \$1,339 <b>NOTE:</b> Power feeds and jumpers are purchased separately on page 261.

**HOW TO ORDER**

SPECIFY: Exterior chassis finish | door finish | door edge finish | hinge location | hinge | interior options | lock | pull | pull finish | power. See page 11 for a complete offering of finishes.

**MODEL NUMBER**

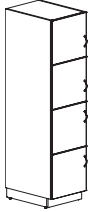
MM-122460SCD4

Exterior Chassis Finish	Door Finish	Door Edge Finish	Hinge Location	Hinge	Interior Options	Lock	Pull	Pull Finish	Power
NW2	NW2	NW2	B3K	B3G	A4S	LCK4	Crest	MSL	RM

**STORAGE CABINETS LOCKERS (CONT.)**

- Flat top
- 4 hinged doors
- 4" recessed toe kick
- Adjustable levelers
- May be installed alone or with multiple cabinets
- In order to complete installation, either cove molding or toe kick rail must be adhered. Order cove molding separately, preferably from a local supplier early in the project. See pages 44 and 45 for toe kick rail offerings.
- All Mile Marker cabinetry is required to be anchored to a wall or floor. Installation hardware is not included with cabinets.

**STORAGE LOCKER WITH 4 DOORS**



**24.25" DEEP MODELS**

model	w	d	h	wt	cu ft	List
MM-122478SCD4	12	24.25	78	140	17.0	\$ 1,407
MM-152478SCD4	15	24.25	78	143	20.7	\$ 1,514
MM-182478SCD4	18	24.25	78	145	24.3	\$ 1,620
MM-212478SCD4	21	24.25	78	148	28.0	\$ 1,703
MM-242478SCD4	24	24.25	78	150	31.6	\$ 1,887
MM-122484SCD4	12	24.25	84	145	18.3	\$ 1,548
MM-152484SCD4	15	24.25	84	148	22.2	\$ 1,677
MM-182484SCD4	18	24.25	84	150	26.1	\$ 1,806
MM-212484SCD4	21	24.25	84	153	30.0	\$ 1,902
MM-242484SCD4	24	24.25	84	155	34.0	\$ 2,099

**OPTIONS**

Exterior Chassis Finish	Door Finish	Door Edge Finish	Hinge Location	Hinge	Interior Options	Lock	Pull	Pull Finish	Power
TFL Woodgrain Laminate <i>Quartered</i> QE2 DS2 PC2 EN2 CO2 ST2 NW2 <i>Flat Cut</i> LC2 KD2 MH2 MC2 VM2 LM2 BU2 BE2 QR2 <i>Textured Laminate (10% upcharge)</i> NG2 NH2 TFL Solid Color Laminate BL2 GR2 SG2 FW2 RW2	TFL Woodgrain Laminate <i>Quartered</i> QE2 DS2 PC2 EN2 CO2 ST2 NW2 <i>Flat Cut</i> LC2 KD2 MH2 MC2 VM2 LM2 BU2 BE2 QR2 <i>Textured Laminate (10% upcharge)</i> NG2 NH2 TFL Solid Color Laminate BL2 GR2 SG2 FW2 RW2	TFL Woodgrain Laminate <i>Quartered</i> QE2 DS2 PC2 EN2 CO2 ST2 NW2 <i>Flat Cut</i> LC2 KD2 MH2 MC2 VM2 LM2 BU2 BE2 QR2 <i>Textured Laminate (10% upcharge)</i> NG2 NH2 TFL Solid Color Laminate BL2 GR2 SG2 FW2 RW2	B3K Left B3L Right	B3G Euro Soft Close Standard B3J 5 Knuckle B3H Euro Knuckle \$117	X9 None Standard A4S Coat Hooks \$108	NL No Lock - Standard LCK4 Requires 4 Lock Core \$308 H5S Assigned User Keyless Lock \$1,345 H5T Shared User Keyless Lock \$1,345 KML1 Assigned User Keyless Mechanical Lock \$808 KML2 Shared User Keyless Mechanical Lock \$808 PHL1 Pad Lock Hasp \$348 NOTE: LCK Locks ordered separately on page 5.	AS No Pull Crest Era Forte Pure Grip B3D, SNCK Recessed (Satin Nickel Only)	BWT Bone White CHLK Chalk MSL Luster Grey BKO Onyx SNCK Satin Nickel	X9 None RM Power \$1,198 H6K Daisy Chainable Power \$1,339 NOTE: Power feeds and jumpers are purchased separately on page 261.

**HOW TO ORDER**

SPECIFY: Exterior chassis finish | door finish | door edge finish | hinge location | hinge | interior options | lock | pull | pull finish | power. See page 11 for a complete offering of finishes.

**MODEL NUMBER**

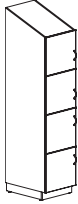
MM-122460SCD4

Exterior Chassis Finish	Door Finish	Door Edge Finish	Hinge Location	Hinge	Interior Options	Lock	Pull	Pull Finish	Power
NW2	NW2	NW2	B3K	B3G	A4S	LCK4	Crest	MSL	RM

**STORAGE CABINETS LOCKERS**

- Sloped top
- 4 hinged doors
- 4" recessed toe kick
- Adjustable levelers
- May be installed alone or with multiple cabinets
- In order to complete installation, either cove molding or toe kick rail must be adhered. Order cove molding separately, preferably from a local supplier early in the project. See pages 44 and 45 for toe kick rail offerings.
- All Mile Marker cabinetry is required to be anchored to a wall or floor. Installation hardware is not included with cabinets.

**STORAGE LOCKER WITH 4 DOORS SLOPED**



**14" DEEP MODELS**

model	w	d	h	wt	cu ft	List
MM-121465SCD4S	12	14	65	115	8.7	\$ 983
MM-151465SCD4S	15	14	65	118	10.5	\$ 1,029
MM-181465SCD4S	18	14	65	120	12.4	\$ 1,075
MM-211465SCD4S	21	14	65	123	14.3	\$ 1,070
MM-241465SCD4S	24	14	65	125	16.1	\$ 1,166
MM-121471SCD4S	12	14	71	120	9.5	\$ 1,030
MM-151471SCD4S	15	14	71	123	11.5	\$ 1,080
MM-181471SCD4S	18	14	71	125	13.5	\$ 1,130
MM-211471SCD4S	21	14	71	128	15.5	\$ 1,126
MM-241471SCD4S	24	14	71	130	17.6	\$ 1,227
MM-121477SCD4S	12	14	77	125	10.2	\$ 1,092
MM-151477SCD4S	15	14	77	128	12.4	\$ 1,135
MM-181477SCD4S	18	14	77	130	14.6	\$ 1,178
MM-211477SCD4S	21	14	77	133	16.8	\$ 1,217
MM-241477SCD4S	24	14	77	135	19.0	\$ 1,361

**OPTIONS**

Exterior Chassis Finish	Door Finish	Door Edge Finish	Hinge Location	Hinge	Interior Options	Lock	Pull	Pull Finish	Power
TFL Woodgrain Laminate <i>Quartered</i> QE2 DS2 PC2 EN2 CO2 ST2 NW2 <i>Flat Cut</i> LC2 KD2 MH2 MC2 VM2 LM2 BU2 BE2 QR2 <i>Textured Laminate (10% upcharge)</i> NG2 NH2 TFL Solid Color Laminate BL2 GR2 SG2 FW2 RW2	TFL Woodgrain Laminate <i>Quartered</i> QE2 DS2 PC2 EN2 CO2 ST2 NW2 <i>Flat Cut</i> LC2 KD2 MH2 MC2 VM2 LM2 BU2 BE2 QR2 <i>Textured Laminate (10% upcharge)</i> NG2 NH2 TFL Solid Color Laminate BL2 GR2 SG2 FW2 RW2	TFL Woodgrain Laminate <i>Quartered</i> QE2 DS2 PC2 EN2 CO2 ST2 NW2 <i>Flat Cut</i> LC2 KD2 MH2 MC2 VM2 LM2 BU2 BE2 QR2 <i>Textured Laminate (10% upcharge)</i> NG2 NH2 TFL Solid Color Laminate BL2 GR2 SG2 FW2 RW2	B3K Left B3L Right	B3G Euro Soft Close Standard  B3J 5 Knuckle  B3H Euro Knuckle \$117 	X9 None Standard A4S Coat Hooks \$108	NL No Lock - Standard LCK4 Requires 4 Lock Core \$308  H5S Assigned User Keyless Lock \$1,345 H5T Shared User Keyless Lock \$1,345  KML1 Assigned User Keyless Mechanical Lock \$808 KML2 Shared User Keyless Mechanical Lock \$808  PHL1 Pad Lock Hasp \$348  NOTE: LCK Locks ordered separately on page 5.	AS No Pull Crest  Era  Forte  Pure  Grip  B3D, SNCK Recessed (Satin Nickel Only) 	BWT Bone White CHLK Chalk Luster Grey MSL MSL BKO Onyx SNCK Satin Nickel	X9 None RM Power \$1,198 H6K Daisy Chainable Power \$1,339 NOTE: Power feeds and jumpers are purchased separately on page 261.

**HOW TO ORDER**

SPECIFY: Exterior chassis finish | door finish | door edge finish | hinge location | hinge | interior options | lock | pull | pull finish | power. See page 11 for a complete offering of finishes.

**MODEL NUMBER**

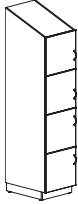
MM-121465SCD4S

Exterior Chassis Finish	Door Finish	Door Edge Finish	Hinge Location	Hinge	Interior Options	Lock	Pull	Pull Finish	Power
NW2	NW2	NW2	B3K	B3G	A4S	LCK4	Crest	MSL	RM

**STORAGE CABINETS LOCKERS**

- Sloped top
- 4 hinged doors
- 4" recessed toe kick
- Adjustable levelers
- May be installed alone or with multiple cabinets
- In order to complete installation, either cove molding or toe kick rail must be adhered. Order cove molding separately, preferably from a local supplier early in the project. See pages 44 and 45 for toe kick rail offerings.
- All Mile Marker cabinetry is required to be anchored to a wall or floor. Installation hardware is not included with cabinets.

**STORAGE LOCKER WITH 4 DOORS SLOPED**



**14" DEEP MODELS**

model	w	d	h	wt	cu ft	List
MM-121483SCD4S	12	14	83	130	11.0	\$ 1,164
MM-151483SCD4S	15	14	83	133	13.4	\$ 1,245
MM-181483SCD4S	18	14	83	135	15.7	\$ 1,327
MM-211483SCD4S	21	14	83	138	18.1	\$ 1,361
MM-241483SCD4S	24	14	83	140	20.5	\$ 1,496
MM-121489SCD4S	12	14	89	135	11.8	\$ 1,309
MM-151489SCD4S	15	14	89	138	14.3	\$ 1,415
MM-181489SCD4S	18	14	89	140	16.9	\$ 1,516
MM-211489SCD4S	21	14	89	143	19.4	\$ 1,545
MM-241489SCD4S	24	14	89	145	21.9	\$ 1,675

**OPTIONS**

Exterior Chassis Finish	Door Finish	Door Edge Finish	Hinge Location	Hinge	Interior Options	Lock	Pull	Pull Finish	Power
TFL Woodgrain Laminate <i>Quartered</i> QE2 DS2 PC2 EN2 CO2 ST2 NW2 <i>Flat Cut</i> LC2 KD2 MH2 MC2 VM2 LM2 BU2 BE2 QR2 <i>Textured Laminate (10% upcharge)</i> NG2 NH2 TFL Solid Color Laminate BL2 GR2 SG2 FW2 RW2	TFL Woodgrain Laminate <i>Quartered</i> QE2 DS2 PC2 EN2 CO2 ST2 NW2 <i>Flat Cut</i> LC2 KD2 MH2 MC2 VM2 LM2 BU2 BE2 QR2 <i>Textured Laminate (10% upcharge)</i> NG2 NH2 TFL Solid Color Laminate BL2 GR2 SG2 FW2 RW2	TFL Woodgrain Laminate <i>Quartered</i> QE2 DS2 PC2 EN2 CO2 ST2 NW2 <i>Flat Cut</i> LC2 KD2 MH2 MC2 VM2 LM2 BU2 BE2 QR2 <i>Textured Laminate (10% upcharge)</i> NG2 NH2 TFL Solid Color Laminate BL2 GR2 SG2 FW2 RW2	B3K Left B3L Right	B3G Euro Soft Close Standard  B3J 5 Knuckle  B3H Euro Knuckle \$117 	X9 None Standard A4S Coat Hooks \$108	NL No Lock - Standard LCK4 Requires 4 Lock Core \$308  H5S Assigned User Keyless Lock \$1,345 H5T Shared User Keyless Lock \$1,345   KML1 Assigned User Keyless Mechanical Lock \$808 KML2 Shared User Keyless Mechanical Lock \$808   PHL1 Pad Lock Hasp \$348  NOTE: LCK Locks ordered separately on page 5.	AS No Pull Crest  Era  Forte  Pure  Grip  B3D, SNCK Recessed (Satin Nickel Only) 	BWT Bone White CHLK Chalk MSL Luster Grey BKO Onyx SNCK Satin Nickel	X9 None RM Power \$1,198 H6K Daisy Chainable Power \$1,339 NOTE: Power feeds and jumpers are purchased separately on page 261.

**HOW TO ORDER**

SPECIFY: Exterior chassis finish | door finish | door edge finish | hinge location | hinge | interior options | lock | pull | pull finish | power. See page 11 for a complete offering of finishes.

**MODEL NUMBER**

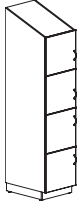
MM-121465SCD4S

Exterior Chassis Finish	Door Finish	Door Edge Finish	Hinge Location	Hinge	Interior Options	Lock	Pull	Pull Finish	Power
NW2	NW2	NW2	B3K	B3G	A4S	LCK4	Crest	MSL	RM

**STORAGE CABINETS LOCKERS (CONT.)**

- Sloped top
- 4 hinged doors
- 4" recessed toe kick
- Adjustable levelers
- May be installed alone or with multiple cabinets
- In order to complete installation, either cove molding or toe kick rail must be adhered. Order cove molding separately, preferably from a local supplier early in the project. See pages 44 and 45 for toe kick rail offerings.
- All Mile Marker cabinetry is required to be anchored to a wall or floor. Installation hardware is not included with cabinets.

**STORAGE LOCKER WITH 4 DOORS SLOPED**



**18.25" DEEP MODELS**

model	w	d	h	wt	cu ft	List
MM-121866SCD4S	12	18.25	66.5	120	11.2	\$ 1,052
MM-151866SCD4S	15	18.25	66.5	123	13.6	\$ 1,105
MM-181866SCD4S	18	18.25	66.5	125	16.1	\$ 1,156
MM-211866SCD4S	21	18.25	66.5	128	18.5	\$ 1,190
MM-241866SCD4S	24	18.25	66.5	130	20.9	\$ 1,327
MM-121872SCD4S	12	18.25	72.5	125	12.2	\$ 1,106
MM-151872SCD4S	15	18.25	72.5	128	14.8	\$ 1,161
MM-181872SCD4S	18	18.25	72.5	130	17.5	\$ 1,214
MM-211872SCD4S	21	18.25	72.5	133	20.1	\$ 1,253
MM-241872SCD4S	24	18.25	72.5	135	22.7	\$ 1,395
MM-121878SCD4S	12	18.25	78.5	130	13.2	\$ 1,183
MM-151878SCD4S	15	18.25	78.5	133	16.0	\$ 1,269
MM-181878SCD4S	18	18.25	78.5	135	18.9	\$ 1,355
MM-211878SCD4S	21	18.25	78.5	138	21.7	\$ 1,424
MM-241878SCD4S	24	18.25	78.5	140	24.5	\$ 1,595

**OPTIONS**

Exterior Chassis Finish	Door Finish	Door Edge Finish	Hinge Location	Hinge	Interior Options	Lock	Pull	Pull Finish	Power
TFL Woodgrain Laminate <i>Quartered</i> QE2 DS2 PC2 EN2 CO2 ST2 NW2 <i>Flat Cut</i> LC2 KD2 MH2 MC2 VM2 LM2 BU2 BE2 QR2 <i>Textured Laminate (10% upcharge)</i> NG2 NH2 TFL Solid Color Laminate BL2 GR2 SG2 FW2 RW2	TFL Woodgrain Laminate <i>Quartered</i> QE2 DS2 PC2 EN2 CO2 ST2 NW2 <i>Flat Cut</i> LC2 KD2 MH2 MC2 VM2 LM2 BU2 BE2 QR2 <i>Textured Laminate (10% upcharge)</i> NG2 NH2 TFL Solid Color Laminate BL2 GR2 SG2 FW2 RW2	TFL Woodgrain Laminate <i>Quartered</i> QE2 DS2 PC2 EN2 CO2 ST2 NW2 <i>Flat Cut</i> LC2 KD2 MH2 MC2 VM2 LM2 BU2 BE2 QR2 <i>Textured Laminate (10% upcharge)</i> NG2 NH2 TFL Solid Color Laminate BL2 GR2 SG2 FW2 RW2	B3K Left B3L Right	B3G Euro Soft Close Standard  B3J 5 Knuckle  B3H Euro Knuckle \$117 	X9 None Standard A4S Coat Hooks \$108	NL No Lock - Standard LCK4 Requires 4 Lock Core \$308  H5S Assigned User Keyless Lock \$1,345 H5T Shared User Keyless Lock \$1,345  KML1 Assigned User Keyless Mechanical Lock \$808 KML2 Shared User Keyless Mechanical Lock \$808  PHL1 Pad Lock Hasp \$348  NOTE: LCK Locks ordered separately on page 5.	AS No Pull Crest  Era  Forte  Pure  Grip  B3D, SNCK Recessed (Satin Nickel Only) 	BWT Bone White CHLK Chalk Luster Grey MSL Onyx BKO Satin Nickel SNCK	X9 None RM Power \$1,198 H6K Daisy Chainable Power \$1,339 NOTE: Power feeds and jumpers are purchased separately on page 261.

**HOW TO ORDER**

SPECIFY: Exterior chassis finish | door finish | door edge finish | hinge location | hinge | interior options | lock | pull | pull finish | power. See page 11 for a complete offering of finishes.

**MODEL NUMBER**

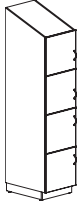
MM-121866SCD4S

Exterior Chassis Finish	Door Finish	Door Edge Finish	Hinge Location	Hinge	Interior Options	Lock	Pull	Pull Finish	Power
NW2	NW2	NW2	B3K	B3G	A4S	LCK4	Crest	MSL	RM

**STORAGE CABINETS LOCKERS (CONT.)**

- Sloped top
- 4 hinged doors
- 4" recessed toe kick
- Adjustable levelers
- May be installed alone or with multiple cabinets
- In order to complete installation, either cove molding or toe kick rail must be adhered. Order cove molding separately, preferably from a local supplier early in the project. See pages 44 and 45 for toe kick rail offerings.
- All Mile Marker cabinetry is required to be anchored to a wall or floor. Installation hardware is not included with cabinets.

**STORAGE LOCKER WITH 4 DOORS SLOPED**



**18.25" DEEP MODELS**

model	w	d	h	wt	cu ft	List
MM-121884SCD4S	12	18.25	84.5	135	14.2	\$ 1,320
MM-151884SCD4S	15	18.25	84.5	138	17.2	\$ 1,410
MM-181884SCD4S	18	18.25	84.5	140	20.3	\$ 1,500
MM-211884SCD4S	21	18.25	84.5	143	23.3	\$ 1,568
MM-241884SCD4S	24	18.25	84.5	145	26.4	\$ 1,740
MM-121890SCD4S	12	18.25	90.5	140	15.2	\$ 1,458
MM-151890SCD4S	15	18.25	90.5	143	18.4	\$ 1,558
MM-181890SCD4S	18	18.25	90.5	145	21.7	\$ 1,659
MM-211890SCD4S	21	18.25	90.5	148	24.9	\$ 1,771
MM-241890SCD4S	24	18.25	90.5	150	28.2	\$ 1,984

**OPTIONS**

Exterior Chassis Finish	Door Finish	Door Edge Finish	Hinge Location	Hinge	Interior Options	Lock	Pull	Pull Finish	Power
TFL Woodgrain Laminate <i>Quartered</i> QE2 DS2 PC2 EN2 CO2 ST2 NW2 <i>Flat Cut</i> LC2 KD2 MH2 MC2 VM2 LM2 BU2 BE2 QR2 <i>Textured Laminate (10% upcharge)</i> NG2 NH2 TFL Solid Color Laminate BL2 GR2 SG2 FW2 RW2	TFL Woodgrain Laminate <i>Quartered</i> QE2 DS2 PC2 EN2 CO2 ST2 NW2 <i>Flat Cut</i> LC2 KD2 MH2 MC2 VM2 LM2 BU2 BE2 QR2 <i>Textured Laminate (10% upcharge)</i> NG2 NH2 TFL Solid Color Laminate BL2 GR2 SG2 FW2 RW2	TFL Woodgrain Laminate <i>Quartered</i> QE2 DS2 PC2 EN2 CO2 ST2 NW2 <i>Flat Cut</i> LC2 KD2 MH2 MC2 VM2 LM2 BU2 BE2 QR2 <i>Textured Laminate (10% upcharge)</i> NG2 NH2 TFL Solid Color Laminate BL2 GR2 SG2 FW2 RW2	B3K Left B3L Right	B3G Euro Soft Close Standard  B3J 5 Knuckle  B3H Euro Knuckle 	X9 None Standard A4S Coat Hooks \$108	NL No Lock - Standard LCK4 Requires 4 Lock Core \$308  H5S Assigned User Keyless Lock \$1,345 H5T Shared User Keyless Lock \$1,345  KML1 Assigned User Keyless Mechanical Lock \$808 KML2 Shared User Keyless Mechanical Lock \$808  PHL1 Pad Lock Hasp \$348  NOTE: LCK Locks ordered separately on page 5.	AS No Pull Crest  Era  Forte  Pure  Grip  B3D, SNCK Recessed (Satin Nickel Only) 	BWT Bone White CHLK Chalk MSL Luster Grey BKO Onyx SNCK Satin Nickel	X9 None RM Power \$1,198 H6K Daisy Chainable Power \$1,339 NOTE: Power feeds and jumpers are purchased separately on page 261.

**HOW TO ORDER**

SPECIFY: Exterior chassis finish | door finish | door edge finish | hinge location | hinge | interior options | lock | pull | pull finish | power. See page 11 for a complete offering of finishes.

**MODEL NUMBER**

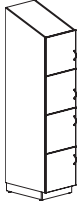
MM-121866SCD4S

Exterior Chassis Finish	Door Finish	Door Edge Finish	Hinge Location	Hinge	Interior Options	Lock	Pull	Pull Finish	Power
NW2	NW2	NW2	B3K	B3G	A4S	LCK4	Crest	MSL	RM

**STORAGE CABINETS LOCKERS (CONT.)**

- Sloped top
- 4 hinged doors
- 4" recessed toe kick
- Adjustable levelers
- May be installed alone or with multiple cabinets
- In order to complete installation, either cove molding or toe kick rail must be adhered. Order cove molding separately, preferably from a local supplier early in the project. See pages 44 and 45 for toe kick rail offerings.
- All Mile Marker cabinetry is required to be anchored to a wall or floor. Installation hardware is not included with cabinets.

**STORAGE LOCKER WITH 4 DOORS SLOPED**



**24.25" DEEP MODELS**

model	w	d	h	wt	cu ft	List
MM-122468SCD4S	12	24.25	68.5	125	15.0	\$ 1,154
MM-152468SCD4S	15	24.25	68.5	128	18.2	\$ 1,268
MM-182468SCD4S	18	24.25	68.5	130	21.4	\$ 1,380
MM-212468SCD4S	21	24.25	68.5	133	24.6	\$ 1,422
MM-242468SCD4S	24	24.25	68.5	135	27.8	\$ 1,565
MM-122474SCD4S	12	24.25	74.5	130	16.3	\$ 1,212
MM-152474SCD4S	15	24.25	74.5	133	19.8	\$ 1,332
MM-182474SCD4S	18	24.25	74.5	135	23.2	\$ 1,450
MM-212474SCD4S	21	24.25	74.5	138	26.7	\$ 1,496
MM-242474SCD4S	24	24.25	74.5	140	30.2	\$ 1,645
MM-122480SCD4S	12	24.25	80.5	135	17.5	\$ 1,342
MM-152480SCD4S	15	24.25	80.5	138	21.3	\$ 1,470
MM-182480SCD4S	18	24.25	80.5	140	25.1	\$ 1,599
MM-212480SCD4S	21	24.25	80.5	143	28.8	\$ 1,694
MM-242480SCD4S	24	24.25	80.5	145	32.6	\$ 1,894

**OPTIONS**

Exterior Chassis Finish	Door Finish	Door Edge Finish	Hinge Location	Hinge	Interior Options	Lock	Pull	Pull Finish	Power
TFL Woodgrain Laminate <i>Quartered</i> QE2 DS2 PC2 EN2 CO2 ST2 NW2 <i>Flat Cut</i> LC2 KD2 MH2 MC2 VM2 LM2 BU2 BE2 QR2 <i>Textured Laminate (10% upcharge)</i> NG2 NH2 TFL Solid Color Laminate BL2 GR2 SG2 FW2 RW2	TFL Woodgrain Laminate <i>Quartered</i> QE2 DS2 PC2 EN2 CO2 ST2 NW2 <i>Flat Cut</i> LC2 KD2 MH2 MC2 VM2 LM2 BU2 BE2 QR2 <i>Textured Laminate (10% upcharge)</i> NG2 NH2 TFL Solid Color Laminate BL2 GR2 SG2 FW2 RW2	TFL Woodgrain Laminate <i>Quartered</i> QE2 DS2 PC2 EN2 CO2 ST2 NW2 <i>Flat Cut</i> LC2 KD2 MH2 MC2 VM2 LM2 BU2 BE2 QR2 <i>Textured Laminate (10% upcharge)</i> NG2 NH2 TFL Solid Color Laminate BL2 GR2 SG2 FW2 RW2	B3K Left B3L Right	B3G Euro Soft Close Standard B3J 5 Knuckle B3H Euro Knuckle \$117	X9 None Standard A4S Coat Hooks \$108	NL No Lock - Standard LCK4 Requires 4 Lock Core \$308 H5S Assigned User Keyless Lock \$1,345 H5T Shared User Keyless Lock \$1,345 KML1 Assigned User Keyless Mechanical Lock \$808 KML2 Shared User Keyless Mechanical Lock \$808 PHL1 Pad Lock Hasp \$348 NOTE: LCK Locks ordered separately on page 5.	AS No Pull Crest Era Forte Pure Grip B3D, SNCK Recessed (Satin Nickel Only)	BWT Bone White CHLK Chalk Luster Grey MSL MSL BKO Onyx SNCK Satin Nickel	X9 None RM Power \$1,198 H6K Daisy Chainable Power \$1,339 NOTE: Power feeds and jumpers are purchased separately on page 261.

**HOW TO ORDER**

SPECIFY: Exterior chassis finish | door finish | door edge finish | hinge location | hinge | interior options | lock | pull | pull finish | power. See page 11 for a complete offering of finishes.

**MODEL NUMBER**

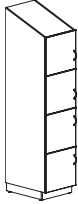
MM-122468SCD4S

Exterior Chassis Finish	Door Finish	Door Edge Finish	Hinge Location	Hinge	Interior Options	Lock	Pull	Pull Finish	Power
NW2	NW2	NW2	B3K	B3G	A4S	LCK4	Crest	MSL	RM

**STORAGE CABINETS LOCKERS (CONT.)**

- Sloped top
- 4 hinged doors
- 4" recessed toe kick
- Adjustable levelers
- May be installed alone or with multiple cabinets
- In order to complete installation, either cove molding or toe kick rail must be adhered. Order cove molding separately, preferably from a local supplier early in the project. See pages 44 and 45 for toe kick rail offerings.
- All Mile Marker cabinetry is required to be anchored to a wall or floor. Installation hardware is not included with cabinets.

**STORAGE LOCKER WITH 4 DOORS SLOPED**



**24.25" DEEP MODELS**

model	w	d	h	wt	cu ft	List
MM-122486SCD4S	12	24.25	86.5	140	18.8	\$ 1,481
MM-152486SCD4S	15	24.25	86.5	143	22.9	\$ 1,588
MM-182486SCD4S	18	24.25	86.5	145	26.9	\$ 1,692
MM-212486SCD4S	21	24.25	86.5	148	30.9	\$ 1,775
MM-242486SCD4S	24	24.25	86.5	150	35.0	\$ 1,960
MM-122492SCD4S	12	24.25	92.5	145	20.1	\$ 1,621
MM-152492SCD4S	15	24.25	92.5	148	24.4	\$ 1,757
MM-182492SCD4S	18	24.25	92.5	150	28.7	\$ 1,895
MM-212492SCD4S	21	24.25	92.5	153	33.0	\$ 1,980
MM-242492SCD4S	24	24.25	92.5	155	37.3	\$ 2,169

**OPTIONS**

Exterior Chassis Finish	Door Finish	Door Edge Finish	Hinge Location	Hinge	Interior Options	Lock	Pull	Pull Finish	Power
TFL Woodgrain Laminate <i>Quartered</i> QE2 DS2 PC2 EN2 CO2 ST2 NW2 <i>Flat Cut</i> LC2 KD2 MH2 MC2 VM2 LM2 BU2 BE2 QR2 <i>Textured Laminate (10% upcharge)</i> NG2 NH2 TFL Solid Color Laminate BL2 GR2 SG2 FW2 RW2	TFL Woodgrain Laminate <i>Quartered</i> QE2 DS2 PC2 EN2 CO2 ST2 NW2 <i>Flat Cut</i> LC2 KD2 MH2 MC2 VM2 LM2 BU2 BE2 QR2 <i>Textured Laminate (10% upcharge)</i> NG2 NH2 TFL Solid Color Laminate BL2 GR2 SG2 FW2 RW2	TFL Woodgrain Laminate <i>Quartered</i> QE2 DS2 PC2 EN2 CO2 ST2 NW2 <i>Flat Cut</i> LC2 KD2 MH2 MC2 VM2 LM2 BU2 BE2 QR2 <i>Textured Laminate (10% upcharge)</i> NG2 NH2 TFL Solid Color Laminate BL2 GR2 SG2 FW2 RW2	B3K Left B3L Right	B3G Euro Soft Close Standard  B3J 5 Knuckle  B3H Euro Knuckle \$117 	X9 None Standard A4S Coat Hooks \$108	NL No Lock - Standard LCK4 Requires 4 Lock Core \$308  H5S Assigned User Keyless Lock \$1,345 H5T Shared User Keyless Lock \$1,345  KML1 Assigned User Keyless Mechanical Lock \$808 KML2 Shared User Keyless Mechanical Lock \$808  PHL1 Pad Lock Hasp \$348  NOTE: LCK Locks ordered separately on page 5.	AS No Pull Crest  Era  Forte  Pure  Grip  B3D, SNCK Recessed (Satin Nickel Only) 	BWT Bone White CHLK Chalk MSL Luster Grey BKO Onyx SNCK Satin Nickel	X9 None RM Power \$1,198 H6K Daisy Chainable Power \$1,339 NOTE: Power feeds and jumpers are purchased separately on page 261.

**HOW TO ORDER**

SPECIFY: Exterior chassis finish | door finish | door edge finish | hinge location | hinge | interior options | lock | pull | pull finish | power. See page 11 for a complete offering of finishes.

**MODEL NUMBER**

MM-122468SCD4S

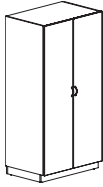
Exterior Chassis Finish	Door Finish	Door Edge Finish	Hinge Location	Hinge	Interior Options	Lock	Pull	Pull Finish	Power
NW2	NW2	NW2	B3K	B3G	A4S	LCK4	Crest	MSL	RM



**STORAGE CABINETS DOUBLE SIDED**

- Flat top
- Cabinet has doors on opposite sides with a full length vertical divider separating the two sides
- 2 full hinged doors
- 1 stationary shelf on each side
- 4" recessed toe kick
- Adjustable levels
- May be installed alone or with multiple cabinets
- In order to complete installation, either cove molding or toe kick rail must be adhered. Order cove molding separately, preferably from a local supplier early in the project. See pages 44 and 45 for toe kick rail offerings.
- All Mile Marker cabinetry is required to be anchored to a wall or floor. Installation hardware is not included with cabinets.

**DOUBLE SIDED STORAGE CABINET WITH 2 DOORS**



**25.63" DEEP MODELS**

model	w	d	h	wt	cu ft	List
MM-122460DSSCD	12	25.63	60	140	13.9	\$ 931
MM-152460DSSCD	15	25.63	60	145	16.9	\$ 1,030
MM-182460DSSCD	18	25.63	60	150	19.8	\$ 1,130
MM-212460DSSCD	21	25.63	60	155	22.8	\$ 1,205
MM-242460DSSCD	24	25.63	60	160	25.8	\$ 1,317
MM-122466DSSCD	12	25.63	66	145	15.2	\$ 1,020
MM-152466DSSCD	15	25.63	66	150	18.5	\$ 1,130
MM-182466DSSCD	18	25.63	66	155	21.7	\$ 1,239
MM-212466DSSCD	21	25.63	66	160	25.0	\$ 1,323
MM-242466DSSCD	24	25.63	66	165	28.3	\$ 1,446
MM-122472DSSCD	12	25.63	72	145	16.6	\$ 1,139
MM-152472DSSCD	15	25.63	72	150	20.1	\$ 1,257
MM-182472DSSCD	18	25.63	72	155	23.7	\$ 1,375
MM-212472DSSCD	21	25.63	72	165	27.2	\$ 1,492
MM-242472DSSCD	24	25.63	72	165	30.8	\$ 1,645

**OPTIONS**

Exterior Chassis Finish	Door Finish	Door Edge Finish	Hinge Location	Hinge	Interior Options	Lock	Pull	Pull Finish	Power
TFL Woodgrain Laminate <i>Quartered</i> QE2 DS2 PC2 EN2 CO2 ST2 NW2 <i>Flat Cut</i> LC2 KD2 MH2 MC2 VM2 LM2 BU2 BE2 QR2 <i>Textured Laminate (10% upcharge)</i> NG2 NH2 TFL Solid Color Laminate BL2 GR2 SG2 FW2 RW2	TFL Woodgrain Laminate <i>Quartered</i> QE2 DS2 PC2 EN2 CO2 ST2 NW2 <i>Flat Cut</i> LC2 KD2 MH2 MC2 VM2 LM2 BU2 BE2 QR2 <i>Textured Laminate (10% upcharge)</i> NG2 NH2 TFL Solid Color Laminate BL2 GR2 SG2 FW2 RW2	TFL Woodgrain Laminate <i>Quartered</i> QE2 DS2 PC2 EN2 CO2 ST2 NW2 <i>Flat Cut</i> LC2 KD2 MH2 MC2 VM2 LM2 BU2 BE2 QR2 <i>Textured Laminate (10% upcharge)</i> NG2 NH2 TFL Solid Color Laminate BL2 GR2 SG2 FW2 RW2	B3K Left B3L Right	B3G Euro Soft Close Standard  B3J 5 Knuckle  B3H Euro Knuckle \$87 	X9 None Standard A4S Coat Hooks \$53 R8 Three Adjustable Shelves \$345 B3N Three Fixed Shelves \$345	NL No Lock - Standard LCK2 Requires 2 Lock Core \$154  H5S Assigned User Keyless Lock \$673 H5T Shared User Keyless Lock \$673  KML1 Assigned User Keyless Mechanical Lock \$404 KML2 Shared User Keyless Mechanical Lock \$404   NOTE: LCK Locks ordered separately on page 5.	AS No Pull Crest  Era  Forte  Pure  Grip  B3D, SNCK Recessed (Satin Nickel Only) 	BWT Bone White CHLK Chalk MSL Luster Grey BKO Onyx SNCK Satin Nickel	X9 None RM Power \$598 H6K Daisy Chainable Power \$663 NOTE: Power feeds and jumpers are purchased separately on page 261.

**HOW TO ORDER**

SPECIFY: Exterior chassis finish | door finish | door edge finish | hinge location | hinge | interior options | lock | pull | pull finish | power. See page 11 for a complete offering of finishes.

**MODEL NUMBER**

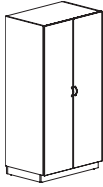
MM-122460DSSCD

Exterior Chassis Finish	Door Finish	Door Edge Finish	Hinge Location	Hinge	Interior Options	Lock	Pull	Pull Finish	Power
NW2	NW2	NW2	B3K	B3G	R8	LCK2	Crest	MSL	RM

**STORAGE CABINETS DOUBLE SIDED**

- Flat top
- Cabinet has doors on opposite sides with a full length vertical divider separating the two sides
- 2 full hinged doors
- 1 stationary shelf on each side
- 4" recessed toe kick
- Adjustable levelers
- May be installed alone or with multiple cabinets
- In order to complete installation, either cove molding or toe kick rail must be adhered. Order cove molding separately, preferably from a local supplier early in the project. See pages 44 and 45 for toe kick rail offerings.
- All Mile Marker cabinetry is required to be anchored to a wall or floor. Installation hardware is not included with cabinets.

**DOUBLE SIDED STORAGE CABINET WITH 2 DOORS**



**25.63" DEEP MODELS**

model	w	d	h	wt	cu ft	List
MM-122478DSSCD	12	25.63	78	140	17.9	\$ 1,268
MM-152478DSSCD	15	25.63	78	145	21.7	\$ 1,364
MM-182478DSSCD	18	25.63	78	150	25.6	\$ 1,461
MM-212478DSSCD	21	25.63	78	170	29.4	\$ 1,565
MM-242478DSSCD	24	25.63	78	160	33.3	\$ 1,709
MM-122484DSSCD	12	25.63	84	155	19.3	\$ 1,396
MM-152484DSSCD	15	25.63	84	160	23.4	\$ 1,515
MM-182484DSSCD	18	25.63	84	165	27.5	\$ 1,633
MM-212484DSSCD	21	25.63	84	175	31.6	\$ 1,749
MM-242484DSSCD	24	25.63	84	175	35.8	\$ 1,904

**OPTIONS**

Exterior Chassis Finish	Door Finish	Door Edge Finish	Hinge Location	Hinge	Interior Options	Lock	Pull	Pull Finish	Power
TFL Woodgrain Laminate <i>Quartered</i> QE2 DS2 PC2 EN2 CO2 ST2 NW2 <i>Flat Cut</i> LC2 KD2 MH2 MC2 VM2 LM2 BU2 BE2 QR2 <i>Textured Laminate (10% upcharge)</i> NG2 NH2 TFL Solid Color Laminate BL2 GR2 SG2 FW2 RW2	TFL Woodgrain Laminate <i>Quartered</i> QE2 DS2 PC2 EN2 CO2 ST2 NW2 <i>Flat Cut</i> LC2 KD2 MH2 MC2 VM2 LM2 BU2 BE2 QR2 <i>Textured Laminate (10% upcharge)</i> NG2 NH2 TFL Solid Color Laminate BL2 GR2 SG2 FW2 RW2	TFL Woodgrain Laminate <i>Quartered</i> QE2 DS2 PC2 EN2 CO2 ST2 NW2 <i>Flat Cut</i> LC2 KD2 MH2 MC2 VM2 LM2 BU2 BE2 QR2 <i>Textured Laminate (10% upcharge)</i> NG2 NH2 TFL Solid Color Laminate BL2 GR2 SG2 FW2 RW2	B3K Left B3L Right	B3G Euro Soft Close Standard  B3J 5 Knuckle  B3H Euro Knuckle \$87 	X9 None Standard A4S Coat Hooks \$53 R8 Three Adjustable Shelves \$345 B3N Three Fixed Shelves \$345	NL No Lock - Standard LCK2 Requires 2 Lock Core \$154  H5S Assigned User Keyless Lock \$673 H5T Shared User Keyless Lock \$673  KML1 Assigned User Keyless Mechanical Lock \$404 KML2 Shared User Keyless Mechanical Lock \$404   NOTE: LCK Locks ordered separately on page 5.	AS No Pull Crest  Era  Forte  Pure  Grip  B3D, SNCK Recessed (Satin Nickel Only) 	BWT Bone White CHLK Chalk MSL Luster Grey BKO Onyx SNCK Satin Nickel	X9 None RM Power \$598 H6K Daisy Chainable Power \$663 NOTE: Power feeds and jumpers are purchased separately on page 261.

**HOW TO ORDER**

SPECIFY: Exterior chassis finish | door finish | door edge finish | hinge location | hinge | interior options | lock | pull | pull finish | power. See page 11 for a complete offering of finishes.

**MODEL NUMBER**

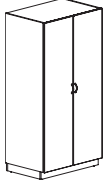
MM-122460DSSCD

Exterior Chassis Finish	Door Finish	Door Edge Finish	Hinge Location	Hinge	Interior Options	Lock	Pull	Pull Finish	Power
NW2	NW2	NW2	B3K	B3G	R8	LCK2	Crest	MSL	RM

**STORAGE CABINETS DOUBLE**

- Flat top
- 2 full hinged doors
- 1 stationary shelf
- 4" recessed toe kick
- Adjustable levelers
- May be installed alone or with multiple cabinets
- In order to complete installation, either cove molding or toe kick rail must be adhered. Order cove molding separately, preferably from a local supplier early in the project. See pages 44 and 45 for toe kick rail offerings.
- All Mile Marker cabinetry is required to be anchored to a wall or floor. Installation hardware is not included with cabinets.

**STORAGE CABINET WITH DOORS**



**14" DEEP MODELS**

model	w	d	h	wt	cu ft	List
MM-271460SCD	27	14	60	130	16.6	\$ 1,434
MM-301460SCD	30	14	60	135	18.4	\$ 1,511
MM-331460SCD	33	14	60	140	20.1	\$ 1,511
MM-361460SCD	36	14	60	145	21.8	\$ 1,588
MM-271466SCD	27	14	66	135	18.3	\$ 1,507
MM-301466SCD	30	14	66	140	20.1	\$ 1,587
MM-331466SCD	33	14	66	145	22.0	\$ 1,590
MM-361466SCD	36	14	66	150	23.9	\$ 1,670
MM-271472SCD	27	14	72	140	19.9	\$ 1,578
MM-301472SCD	30	14	72	145	21.9	\$ 1,647
MM-331472SCD	33	14	72	150	24.0	\$ 1,641
MM-361472SCD	36	14	72	155	26.0	\$ 1,711

**OPTIONS**

Exterior Chassis Finish	Door Finish	Door Edge Finish	Hinge	Interior Options	Lock	Pull	Pull Finish
TFL Woodgrain Laminate <i>Quartered</i> QE2 DS2 PC2 EN2 CO2 ST2 NW2 <i>Flat Cut</i> LC2 KD2 MH2 MC2 VM2 LM2 BU2 BE2 QR2 <i>Textured Laminate (10% upcharge)</i> NG2 NH2 TFL Solid Color Laminate BL2 GR2 SG2 FW2 RW2	TFL Woodgrain Laminate <i>Quartered</i> QE2 DS2 PC2 EN2 CO2 ST2 NW2 <i>Flat Cut</i> LC2 KD2 MH2 MC2 VM2 LM2 BU2 BE2 QR2 <i>Textured Laminate (10% upcharge)</i> NG2 NH2 TFL Solid Color Laminate BL2 GR2 SG2 FW2 RW2	TFL Woodgrain Laminate <i>Quartered</i> QE2 DS2 PC2 EN2 CO2 ST2 NW2 <i>Flat Cut</i> LC2 KD2 MH2 MC2 VM2 LM2 BU2 BE2 QR2 <i>Textured Laminate (10% upcharge)</i> NG2 NH2 TFL Solid Color Laminate BL2 GR2 SG2 FW2 RW2	B3G Euro Soft Close Standard  B3J 5 Knuckle  B3H Euro Knuckle \$97 	X9 None Standard A4S Coat Hooks \$28 B3P Wardrobe Rail \$82 R7 Hanging Bar (24" deep models only) \$39 R8 Three Adjustable Shelves \$260 B3N Three Fixed Shelves \$260	NL No Lock - Standard LCK1 Requires 1 Lock Core \$77  H5S Assigned User Keyless Lock \$338 H5T Shared User Keyless Lock \$338  KML1 Assigned User Keyless Mechanical Lock \$202 KML2 Shared User Keyless Mechanical Lock \$202  PHL1 Pad Lock Hasp \$87  <b>NOTE:</b> LCK Locks ordered separately on page 5.	AS No Pull Crest  Era  Forte  Pure  Grip  B3D, SNCK Recessed (Satin Nickel Only) 	BWT Bone White CHLK Chalk MSL Luster Grey BKO Onyx SNCK Satin Nickel

**HOW TO ORDER**

SPECIFY: Exterior chassis finish | door finish | door edge finish | hinge | interior options | lock | pull | pull finish. See page 11 for a complete offering of finishes.

**MODEL NUMBER**

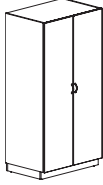
MM-271460SCD

Exterior Chassis Finish	Door Finish	Door Edge Finish	Hinge	Interior Options	Lock	Pull	Pull Finish
NW2	NW2	NW2	B3G	R8	LCK1	Crest	MSL

**STORAGE CABINETS DOUBLE**

- Flat top
- 2 full hinged doors
- 1 stationary shelf
- 4" recessed toe kick
- Adjustable levelers
- May be installed alone or with multiple cabinets
- In order to complete installation, either cove molding or toe kick rail must be adhered. Order cove molding separately, preferably from a local supplier early in the project. See pages 44 and 45 for toe kick rail offerings.
- All Mile Marker cabinetry is required to be anchored to a wall or floor. Installation hardware is not included with cabinets.

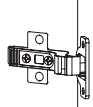

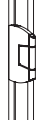
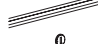





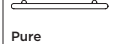


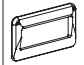
**STORAGE CABINET WITH DOORS**



**14" DEEP MODELS**

model	w	d	h	wt	cu ft	List
MM-271478SCD	27	14	78	145	21.5	\$ 1,580
MM-301478SCD	30	14	78	150	23.7	\$ 1,699
MM-331478SCD	33	14	78	155	25.9	\$ 1,744
MM-361478SCD	36	14	78	160	28.1	\$ 1,864
MM-271484SCD	27	14	84	150	23.1	\$ 1,696
MM-301484SCD	30	14	84	155	25.5	\$ 1,821
MM-331484SCD	33	14	84	160	27.9	\$ 1,870
MM-361484SCD	36	14	84	165	30.3	\$ 1,995

**OPTIONS**

Exterior Chassis Finish	Door Finish	Door Edge Finish	Hinge	Interior Options	Lock	Pull	Pull Finish
TFL Woodgrain Laminate <i>Quartered</i> QE2 DS2 PC2 EN2 CO2 ST2 NW2 <i>Flat Cut</i> LC2 KD2 MH2 MC2 VM2 LM2 BU2 BE2 QR2 <i>Textured Laminate (10% upcharge)</i> NG2 NH2 TFL Solid Color Laminate BL2 GR2 SG2 FW2 RW2	TFL Woodgrain Laminate <i>Quartered</i> QE2 DS2 PC2 EN2 CO2 ST2 NW2 <i>Flat Cut</i> LC2 KD2 MH2 MC2 VM2 LM2 BU2 BE2 QR2 <i>Textured Laminate (10% upcharge)</i> NG2 NH2 TFL Solid Color Laminate BL2 GR2 SG2 FW2 RW2	TFL Woodgrain Laminate <i>Quartered</i> QE2 DS2 PC2 EN2 CO2 ST2 NW2 <i>Flat Cut</i> LC2 KD2 MH2 MC2 VM2 LM2 BU2 BE2 QR2 <i>Textured Laminate (10% upcharge)</i> NG2 NH2 TFL Solid Color Laminate BL2 GR2 SG2 FW2 RW2	B3G Euro Soft Close Standard  B3J 5 Knuckle  B3H Euro Knuckle \$97 	X9 None Standard A4S Coat Hooks \$28 B3P Wardrobe Rail \$82 R7 Hanging Bar (24" deep models only) \$39 R8 Three Adjustable Shelves \$260 B3N Three Fixed Shelves \$260	NL No Lock - Standard LCK1 Requires 1 Lock Core \$77  H5S Assigned User Keyless Lock \$338 H5T Shared User Keyless Lock \$338  KML1 Assigned User Keyless Mechanical Lock \$202 KML2 Shared User Keyless Mechanical Lock \$202  PHL1 Pad Lock Hasp \$87  <b>NOTE:</b> LCK Locks ordered separately on page 5.	AS No Pull Crest  Era  Forte  Pure  Grip  B3D, SNCK Recessed (Satin Nickel Only) 	BWT Bone White CHLK Chalk MSL Luster Grey BKO Onyx SNCK Satin Nickel

**HOW TO ORDER**

SPECIFY: Exterior chassis finish | door finish | door edge finish | hinge | interior options | lock | pull | pull finish. See page 11 for a complete offering of finishes.

**MODEL NUMBER**

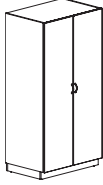
MM-271460SCD

Exterior Chassis Finish	Door Finish	Door Edge Finish	Hinge	Interior Options	Lock	Pull	Pull Finish
NW2	NW2	NW2	B3G	R8	LCK1	Crest	MSL

**STORAGE CABINETS DOUBLE (CONT.)**

- Flat top
- 2 full hinged doors
- 1 stationary shelf
- 4" recessed toe kick
- Adjustable levelers
- May be installed alone or with multiple cabinets
- In order to complete installation, either cove molding or toe kick rail must be adhered. Order cove molding separately, preferably from a local supplier early in the project. See pages 44 and 45 for toe kick rail offerings.
- All Mile Marker cabinetry is required to be anchored to a wall or floor. Installation hardware is not included with cabinets.

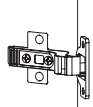

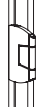
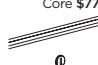




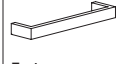




**STORAGE CABINET WITH DOORS**



**18.25" DEEP MODELS**

model	w	d	h	wt	cu ft	List
MM-271860SCD	27	18.25	60	145	21.1	\$ 1,492
MM-301860SCD	30	18.25	60	150	23.3	\$ 1,571
MM-331860SCD	33	18.25	60	155	25.4	\$ 1,574
MM-361860SCD	36	18.25	60	160	27.6	\$ 1,653
MM-271866SCD	27	18.25	66	150	23.1	\$ 1,569
MM-301866SCD	30	18.25	66	155	25.5	\$ 1,652
MM-331866SCD	33	18.25	66	160	27.9	\$ 1,657
MM-361866SCD	36	18.25	66	165	30.3	\$ 1,739
MM-271872SCD	27	18.25	72	155	25.1	\$ 1,606
MM-301872SCD	30	18.25	72	160	27.8	\$ 1,716
MM-331872SCD	33	18.25	72	165	30.4	\$ 1,750
MM-361872SCD	36	18.25	72	170	33.0	\$ 1,861

**OPTIONS**

Exterior Chassis Finish	Door Finish	Door Edge Finish	Hinge	Interior Options	Lock	Pull	Pull Finish
TFL Woodgrain Laminate <i>Quartered</i> QE2 DS2 PC2 EN2 CO2 ST2 NW2 <i>Flat Cut</i> LC2 KD2 MH2 MC2 VM2 LM2 BU2 BE2 QR2 <i>Textured Laminate (10% upcharge)</i> NG2 NH2 TFL Solid Color Laminate BL2 GR2 SG2 FW2 RW2	TFL Woodgrain Laminate <i>Quartered</i> QE2 DS2 PC2 EN2 CO2 ST2 NW2 <i>Flat Cut</i> LC2 KD2 MH2 MC2 VM2 LM2 BU2 BE2 QR2 <i>Textured Laminate (10% upcharge)</i> NG2 NH2 TFL Solid Color Laminate BL2 GR2 SG2 FW2 RW2	TFL Woodgrain Laminate <i>Quartered</i> QE2 DS2 PC2 EN2 CO2 ST2 NW2 <i>Flat Cut</i> LC2 KD2 MH2 MC2 VM2 LM2 BU2 BE2 QR2 <i>Textured Laminate (10% upcharge)</i> NG2 NH2 TFL Solid Color Laminate BL2 GR2 SG2 FW2 RW2	B3G Euro Soft Close Standard  B3J 5 Knuckle  B3H Euro Knuckle \$97 	X9 None Standard A4S Coat Hooks \$28 B3P Wardrobe Rail \$82 R7 Hanging Bar (24" deep models only) \$39 R8 Three Adjustable Shelves \$260 B3N Three Fixed Shelves \$260	NL No Lock - Standard LCK1 Requires 1 Lock Core \$77  H5S Assigned User Keyless Lock \$338 H5T Shared User Keyless Lock \$338  KML1 Assigned User Keyless Mechanical Lock \$202 KML2 Shared User Keyless Mechanical Lock \$202  PHL1 Pad Lock Hasp \$87  <b>NOTE:</b> LCK Locks ordered separately on page 5.	AS No Pull Crest  Era  Forte  Pure  Grip  B3D, SNCK Recessed (Satin Nickel Only) 	BWT Bone White CHLK Chalk MSL Luster Grey BKO Onyx SNCK Satin Nickel

**HOW TO ORDER**

SPECIFY: Exterior chassis finish | door finish | door edge finish | hinge | interior options | lock | pull | pull finish. See page 11 for a complete offering of finishes.

**MODEL NUMBER**

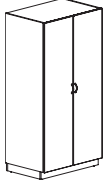
MM-271860SCD

Exterior Chassis Finish	Door Finish	Door Edge Finish	Hinge	Interior Options	Lock	Pull	Pull Finish
NW2	NW2	NW2	B3G	R8	LCK1	Crest	MSL

**STORAGE CABINETS DOUBLE (CONT.)**

- Flat top
- 2 full hinged doors
- 1 stationary shelf
- 4" recessed toe kick
- Adjustable levelers
- May be installed alone or with multiple cabinets
- In order to complete installation, either cove molding or toe kick rail must be adhered. Order cove molding separately, preferably from a local supplier early in the project. See pages 44 and 45 for toe kick rail offerings.
- All Mile Marker cabinetry is required to be anchored to a wall or floor. Installation hardware is not included with cabinets.

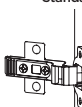

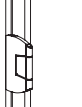






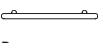



**STORAGE CABINET WITH DOORS**



**18.25" DEEP MODELS**

model	w	d	h	wt	cu ft	List
MM-271878SCD	27	18.25	78	160	27.2	\$ 1,713
MM-301878SCD	30	18.25	78	165	30.0	\$ 1,830
MM-331878SCD	33	18.25	78	170	32.8	\$ 1,871
MM-361878SCD	36	18.25	78	175	35.6	\$ 1,988
MM-271884SCD	27	18.25	84	165	29.2	\$ 1,822
MM-301884SCD	30	18.25	84	170	32.3	\$ 1,944
MM-331884SCD	33	18.25	84	175	35.3	\$ 1,991
MM-361884SCD	36	18.25	84	180	38.3	\$ 2,114

**OPTIONS**

Exterior Chassis Finish	Door Finish	Door Edge Finish	Hinge	Interior Options	Lock	Pull	Pull Finish
TFL Woodgrain Laminate <i>Quartered</i> QE2 DS2 PC2 EN2 CO2 ST2 NW2 <i>Flat Cut</i> LC2 KD2 MH2 MC2 VM2 LM2 BU2 BE2 QR2 <i>Textured Laminate (10% upcharge)</i> NG2 NH2 TFL Solid Color Laminate BL2 GR2 SG2 FW2 RW2	TFL Woodgrain Laminate <i>Quartered</i> QE2 DS2 PC2 EN2 CO2 ST2 NW2 <i>Flat Cut</i> LC2 KD2 MH2 MC2 VM2 LM2 BU2 BE2 QR2 <i>Textured Laminate (10% upcharge)</i> NG2 NH2 TFL Solid Color Laminate BL2 GR2 SG2 FW2 RW2	TFL Woodgrain Laminate <i>Quartered</i> QE2 DS2 PC2 EN2 CO2 ST2 NW2 <i>Flat Cut</i> LC2 KD2 MH2 MC2 VM2 LM2 BU2 BE2 QR2 <i>Textured Laminate (10% upcharge)</i> NG2 NH2 TFL Solid Color Laminate BL2 GR2 SG2 FW2 RW2	B3G Euro Soft Close Standard  B3J 5 Knuckle  B3H Euro Knuckle \$97 	X9 None Standard A4S Coat Hooks \$28 B3P Wardrobe Rail \$82 R7 Hanging Bar (24" deep models only) \$39 R8 Three Adjustable Shelves \$260 B3N Three Fixed Shelves \$260	NL No Lock - Standard LCK1 Requires 1 Lock Core \$77  H5S Assigned User Keyless Lock \$338 H5T Shared User Keyless Lock \$338  KML1 Assigned User Keyless Mechanical Lock \$202 KML2 Shared User Keyless Mechanical Lock \$202  PHL1 Pad Lock Hasp \$87  <b>NOTE:</b> LCK Locks ordered separately on page 5.	AS No Pull Crest  Era  Forte  Pure  Grip  B3D, SNCK Recessed (Satin Nickel Only) 	BWT Bone White CHLK Chalk MSL Luster Grey BKO Onyx SNCK Satin Nickel

**HOW TO ORDER**

SPECIFY: Exterior chassis finish | door finish | door edge finish | hinge | interior options | lock | pull | pull finish. See page 11 for a complete offering of finishes.

**MODEL NUMBER**

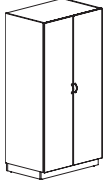
MM-271860SCD

Exterior Chassis Finish	Door Finish	Door Edge Finish	Hinge	Interior Options	Lock	Pull	Pull Finish
NW2	NW2	NW2	B3G	R8	LCK1	Crest	MSL

**STORAGE CABINETS DOUBLE (CONT.)**

- Flat top
- 2 full hinged doors
- 1 stationary shelf
- 4" recessed toe kick
- Adjustable levelers
- May be installed alone or with multiple cabinets
- In order to complete installation, either cove molding or toe kick rail must be adhered. Order cove molding separately, preferably from a local supplier early in the project. See pages 44 and 45 for toe kick rail offerings.
- All Mile Marker cabinetry is required to be anchored to a wall or floor. Installation hardware is not included with cabinets.

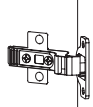

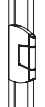
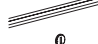





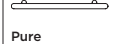


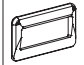
**STORAGE CABINET WITH DOORS**



**24.25" DEEP MODELS**

model	w	d	h	wt	cu ft	List
MM-272460SCD	27	24.25	60	160	27.3	\$ 1,526
MM-302460SCD	30	24.25	60	165	30.1	\$ 1,658
MM-332460SCD	33	24.25	60	170	33.0	\$ 1,713
MM-362460SCD	36	24.25	60	175	35.8	\$ 1,845
MM-272466SCD	27	24.25	66	165	30.0	\$ 1,607
MM-302466SCD	30	24.25	66	170	33.1	\$ 1,743
MM-332466SCD	33	24.25	66	175	36.2	\$ 1,803
MM-362466SCD	36	24.25	66	180	39.3	\$ 1,939
MM-272472SCD	27	24.25	72	170	32.6	\$ 1,704
MM-302472SCD	30	24.25	72	175	36.0	\$ 1,851
MM-332472SCD	33	24.25	72	180	39.3	\$ 1,921
MM-362472SCD	36	24.25	72	185	42.7	\$ 2,068

**OPTIONS**

Exterior Chassis Finish	Door Finish	Door Edge Finish	Hinge	Interior Options	Lock	Pull	Pull Finish
TFL Woodgrain Laminate <i>Quartered</i> QE2 DS2 PC2 EN2 CO2 ST2 NW2 <i>Flat Cut</i> LC2 KD2 MH2 MC2 VM2 LM2 BU2 BE2 QR2 <i>Textured Laminate (10% upcharge)</i> NG2 NH2 TFL Solid Color Laminate BL2 GR2 SG2 FW2 RW2	TFL Woodgrain Laminate <i>Quartered</i> QE2 DS2 PC2 EN2 CO2 ST2 NW2 <i>Flat Cut</i> LC2 KD2 MH2 MC2 VM2 LM2 BU2 BE2 QR2 <i>Textured Laminate (10% upcharge)</i> NG2 NH2 TFL Solid Color Laminate BL2 GR2 SG2 FW2 RW2	TFL Woodgrain Laminate <i>Quartered</i> QE2 DS2 PC2 EN2 CO2 ST2 NW2 <i>Flat Cut</i> LC2 KD2 MH2 MC2 VM2 LM2 BU2 BE2 QR2 <i>Textured Laminate (10% upcharge)</i> NG2 NH2 TFL Solid Color Laminate BL2 GR2 SG2 FW2 RW2	B3G Euro Soft Close Standard  B3J 5 Knuckle  B3H Euro Knuckle \$97 	X9 None Standard A4S Coat Hooks \$28 B3P Wardrobe Rail \$82 R7 Hanging Bar (24" deep models only) \$39 R8 Three Adjustable Shelves \$260 B3N Three Fixed Shelves \$260	NL No Lock - Standard LCK1 Requires 1 Lock Core \$77  H5S Assigned User Keyless Lock \$338 H5T Shared User Keyless Lock \$338  KML1 Assigned User Keyless Mechanical Lock \$202 KML2 Shared User Keyless Mechanical Lock \$202  PHL1 Pad Lock Hasp \$87  <b>NOTE:</b> LCK Locks ordered separately on page 5.	AS No Pull Crest  Era  Forte  Pure  Grip  B3D, SNCK Recessed (Satin Nickel Only) 	BWT Bone White CHLK Chalk MSL Luster Grey BKO Onyx SNCK Satin Nickel

**HOW TO ORDER**

SPECIFY: Exterior chassis finish | door finish | door edge finish | hinge | interior options | lock | pull | pull finish. See page 11 for a complete offering of finishes.

**MODEL NUMBER**

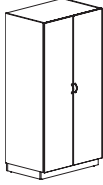
MM-272460SCD

Exterior Chassis Finish	Door Finish	Door Edge Finish	Hinge	Interior Options	Lock	Pull	Pull Finish
NW2	NW2	NW2	B3G	R8	LCK1	Crest	MSL

**STORAGE CABINETS DOUBLE (CONT.)**

- Flat top
- 2 full hinged doors
- 1 stationary shelf
- 4" recessed toe kick
- Adjustable levelers
- May be installed alone or with multiple cabinets
- In order to complete installation, either cove molding or toe kick rail must be adhered. Order cove molding separately, preferably from a local supplier early in the project. See pages 44 and 45 for toe kick rail offerings.
- All Mile Marker cabinetry is required to be anchored to a wall or floor. Installation hardware is not included with cabinets.

**STORAGE CABINET WITH DOORS**



**24.25" DEEP MODELS**

model	w	d	h	wt	cu ft	List
MM-272478SCD	27	24.25	78	175	35.2	\$ 1,840
MM-302478SCD	30	24.25	78	180	38.9	\$ 1,965
MM-332478SCD	33	24.25	78	185	42.5	\$ 2,013
MM-362478SCD	36	24.25	78	190	46.2	\$ 2,139
MM-272484SCD	27	24.25	84	180	37.9	\$ 2,140
MM-302484SCD	30	24.25	84	185	41.8	\$ 2,219
MM-332484SCD	33	24.25	84	190	45.7	\$ 2,221
MM-362484SCD	36	24.25	84	195	49.6	\$ 2,299

**OPTIONS**

Exterior Chassis Finish	Door Finish	Door Edge Finish	Hinge	Interior Options	Lock	Pull	Pull Finish
TFL Woodgrain Laminate <i>Quartered</i> QE2 DS2 PC2 EN2 CO2 ST2 NW2 <i>Flat Cut</i> LC2 KD2 MH2 MC2 VM2 LM2 BU2 BE2 QR2 <i>Textured Laminate (10% upcharge)</i> NG2 NH2 TFL Solid Color Laminate BL2 GR2 SG2 FW2 RW2	TFL Woodgrain Laminate <i>Quartered</i> QE2 DS2 PC2 EN2 CO2 ST2 NW2 <i>Flat Cut</i> LC2 KD2 MH2 MC2 VM2 LM2 BU2 BE2 QR2 <i>Textured Laminate (10% upcharge)</i> NG2 NH2 TFL Solid Color Laminate BL2 GR2 SG2 FW2 RW2	TFL Woodgrain Laminate <i>Quartered</i> QE2 DS2 PC2 EN2 CO2 ST2 NW2 <i>Flat Cut</i> LC2 KD2 MH2 MC2 VM2 LM2 BU2 BE2 QR2 <i>Textured Laminate (10% upcharge)</i> NG2 NH2 TFL Solid Color Laminate BL2 GR2 SG2 FW2 RW2	B3G Euro Soft Close Standard  B3J 5 Knuckle  B3H Euro Knuckle \$97 	X9 None Standard A4S Coat Hooks \$28 B3P Wardrobe Rail \$82 R7 Hanging Bar (24" deep models only) \$39 R8 Three Adjustable Shelves \$260 B3N Three Fixed Shelves \$260	NL No Lock - Standard LCK1 Requires 1 Lock Core \$77  H5S Assigned User Keyless Lock \$338 H5T Shared User Keyless Lock \$338  KML1 Assigned User Keyless Mechanical Lock \$202 KML2 Shared User Keyless Mechanical Lock \$202  PHL1 Pad Lock Hasp \$87  <b>NOTE:</b> LCK Locks ordered separately on page 5.	AS No Pull Crest  Era  Forte  Pure  Grip  B3D, SNCK Recessed (Satin Nickel Only) 	BWT Bone White CHLK Chalk MSL Luster Grey BKO Onyx SNCK Satin Nickel

**HOW TO ORDER**

SPECIFY: Exterior chassis finish | door finish | door edge finish | hinge | interior options | lock | pull | pull finish. See page 11 for a complete offering of finishes.

**MODEL NUMBER**

MM-272460SCD

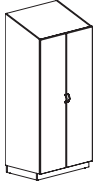
Exterior Chassis Finish	Door Finish	Door Edge Finish	Hinge	Interior Options	Lock	Pull	Pull Finish
NW2	NW2	NW2	B3G	R8	LCK1	Crest	MSL



**STORAGE CABINETS DOUBLE**

- Sloped top
- 2 full hinged doors
- 1 stationary shelf
- 4" recessed toe kick
- Adjustable levelers
- May be installed alone or with multiple cabinets
- In order to complete installation, either cove molding or toe kick rail must be adhered. Order cove molding separately, preferably from a local supplier early in the project. See pages 44 and 45 for toe kick rail offerings.
- All Mile Marker cabinetry is required to be anchored to a wall or floor. Installation hardware is not included with cabinets.

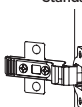

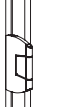





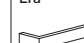




**STORAGE CABINET WITH DOORS SLOPED**



**14" DEEP MODELS**

model	w	d	h	wt	cu ft	List
MM-271465SCDS	27	14	65	130	18.0	\$ 1,506
MM-301465SCDS	30	14	65	135	19.9	\$ 1,585
MM-331465SCDS	33	14	65	140	21.7	\$ 1,586
MM-361465SCDS	36	14	65	145	23.6	\$ 1,664
MM-271471SCDS	27	14	71	135	19.6	\$ 1,569
MM-301471SCDS	30	14	71	140	21.6	\$ 1,649
MM-331471SCDS	33	14	71	145	23.7	\$ 1,653
MM-361471SCDS	36	14	71	150	25.7	\$ 1,733
MM-271477SCDS	27	14	77	140	21.2	\$ 1,637
MM-301477SCDS	30	14	77	145	23.4	\$ 1,708
MM-331477SCDS	33	14	77	150	25.6	\$ 1,702
MM-361477SCDS	36	14	77	155	27.8	\$ 1,773

**OPTIONS**

Exterior Chassis Finish	Door Finish	Door Edge Finish	Hinge	Interior Options	Lock	Pull	Pull Finish
TFL Woodgrain Laminate <i>Quartered</i> QE2 DS2 PC2 EN2 CO2 ST2 NW2 <i>Flat Cut</i> LC2 KD2 MH2 MC2 VM2 LM2 BU2 BE2 QR2 <i>Textured Laminate (10% upcharge)</i> NG2 NH2 TFL Solid Color Laminate BL2 GR2 SG2 FW2 RW2	TFL Woodgrain Laminate <i>Quartered</i> QE2 DS2 PC2 EN2 CO2 ST2 NW2 <i>Flat Cut</i> LC2 KD2 MH2 MC2 VM2 LM2 BU2 BE2 QR2 <i>Textured Laminate (10% upcharge)</i> NG2 NH2 TFL Solid Color Laminate BL2 GR2 SG2 FW2 RW2	TFL Woodgrain Laminate <i>Quartered</i> QE2 DS2 PC2 EN2 CO2 ST2 NW2 <i>Flat Cut</i> LC2 KD2 MH2 MC2 VM2 LM2 BU2 BE2 QR2 <i>Textured Laminate (10% upcharge)</i> NG2 NH2 TFL Solid Color Laminate BL2 GR2 SG2 FW2 RW2	B3G Euro Soft Close Standard  B3J 5 Knuckle  B3H Euro Knuckle \$97 	X9 None Standard A4S Coat Hooks \$28 B3P Wardrobe Rail \$82 R7 Hanging Bar (24" deep models only) \$39 R8 Three Adjustable Shelves \$260 B3N Three Fixed Shelves \$260	NL No Lock - Standard LCK1 Requires 1 Lock Core \$77  H5S Assigned User Keyless Lock \$338 H5T Shared User Keyless Lock \$338  KML1 Assigned User Keyless Mechanical Lock \$202 KML2 Shared User Keyless Mechanical Lock \$202  PHL1 Pad Lock Hasp \$87  <b>NOTE:</b> LCK Locks ordered separately on page 5.	AS No Pull Crest  Era  Forte  Pure  Grip  B3D, SNCK Recessed (Satin Nickel Only) 	BWT Bone White CHLK Chalk MSL Luster Grey BKO Onyx SNCK Satin Nickel

**HOW TO ORDER**

SPECIFY: Exterior chassis finish | door finish | door edge finish | hinge | interior options | lock | pull | pull finish. See page 11 for a complete offering of finishes.

**MODEL NUMBER**

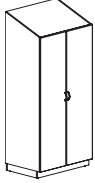
MM-271465SCDS

Exterior Chassis Finish	Door Finish	Door Edge Finish	Hinge	Interior Options	Lock	Pull	Pull Finish
NW2	NW2	NW2	B3G	R8	LCK1	Crest	MSL

**STORAGE CABINETS DOUBLE**

- Sloped top
- 2 full hinged doors
- 1 stationary shelf
- 4" recessed toe kick
- Adjustable levelers
- May be installed alone or with multiple cabinets
- In order to complete installation, either cove molding or toe kick rail must be adhered. Order cove molding separately, preferably from a local supplier early in the project. See pages 44 and 45 for toe kick rail offerings.
- All Mile Marker cabinetry is required to be anchored to a wall or floor. Installation hardware is not included with cabinets.

**STORAGE CABINET WITH DOORS SLOPED**



**14" DEEP MODELS**

model	w	d	h	wt	cu ft	List
MM-271483SCDS	27	14	83	145	22.8	\$ 1,641
MM-301483SCDS	30	14	83	150	25.2	\$ 1,761
MM-331483SCDS	33	14	83	155	27.5	\$ 1,805
MM-361483SCDS	36	14	83	160	29.9	\$ 1,926
MM-271489SCDS	27	14	89	150	24.4	\$ 1,755
MM-301489SCDS	30	14	89	155	27.0	\$ 1,881
MM-331489SCDS	33	14	89	160	29.5	\$ 1,931
MM-361489SCDS	36	14	89	165	32.0	\$ 2,057

**OPTIONS**

Exterior Chassis Finish	Door Finish	Door Edge Finish	Hinge	Interior Options	Lock	Pull	Pull Finish
TFL Woodgrain Laminate <i>Quartered</i> QE2 DS2 PC2 EN2 CO2 ST2 NW2 <i>Flat Cut</i> LC2 KD2 MH2 MC2 VM2 LM2 BU2 BE2 QR2 <i>Textured Laminate (10% upcharge)</i> NG2 NH2 TFL Solid Color Laminate BL2 GR2 SG2 FW2 RW2	TFL Woodgrain Laminate <i>Quartered</i> QE2 DS2 PC2 EN2 CO2 ST2 NW2 <i>Flat Cut</i> LC2 KD2 MH2 MC2 VM2 LM2 BU2 BE2 QR2 <i>Textured Laminate (10% upcharge)</i> NG2 NH2 TFL Solid Color Laminate BL2 GR2 SG2 FW2 RW2	TFL Woodgrain Laminate <i>Quartered</i> QE2 DS2 PC2 EN2 CO2 ST2 NW2 <i>Flat Cut</i> LC2 KD2 MH2 MC2 VM2 LM2 BU2 BE2 QR2 <i>Textured Laminate (10% upcharge)</i> NG2 NH2 TFL Solid Color Laminate BL2 GR2 SG2 FW2 RW2	B3G Euro Soft Close Standard  B3J 5 Knuckle  B3H Euro Knuckle \$97 	X9 None Standard A4S Coat Hooks \$28 B3P Wardrobe Rail \$82 R7 Hanging Bar (24" deep models only) \$39 R8 Three Adjustable Shelves \$260 B3N Three Fixed Shelves \$260	NL No Lock - Standard LCK1 Requires 1 Lock Core \$77  H5S Assigned User Keyless Lock \$338 H5T Shared User Keyless Lock \$338  KML1 Assigned User Keyless Mechanical Lock \$202 KML2 Shared User Keyless Mechanical Lock \$202  PHL1 Pad Lock Hasp \$87  <b>NOTE:</b> LCK Locks ordered separately on page 5.	AS No Pull Crest  Era  Forte  Pure  Grip  B3D, SNCK Recessed (Satin Nickel Only) 	BWT Bone White CHLK Chalk MSL Luster Grey BKO Onyx SNCK Satin Nickel

**HOW TO ORDER**

SPECIFY: Exterior chassis finish | door finish | door edge finish | hinge | interior options | lock | pull | pull finish. See page 11 for a complete offering of finishes.

**MODEL NUMBER**

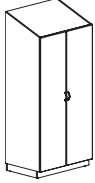
MM-271465SCDS

Exterior Chassis Finish	Door Finish	Door Edge Finish	Hinge	Interior Options	Lock	Pull	Pull Finish
NW2	NW2	NW2	B3G	R8	LCK1	Crest	MSL

**STORAGE CABINETS DOUBLE (CONT.)**

- Sloped top
- 2 full hinged doors
- 1 stationary shelf
- 4" recessed toe kick
- Adjustable levelers
- May be installed alone or with multiple cabinets
- In order to complete installation, either cove molding or toe kick rail must be adhered. Order cove molding separately, preferably from a local supplier early in the project. See pages 44 and 45 for toe kick rail offerings.
- All Mile Marker cabinetry is required to be anchored to a wall or floor. Installation hardware is not included with cabinets.

**STORAGE CABINET WITH DOORS SLOPED**



**18.25" DEEP MODELS**

model	w	d	h	wt	cu ft	List
MM-271866SCDS	27	18.25	66.5	145	23.3	\$ 1,564
MM-301866SCDS	30	18.25	66.5	150	25.7	\$ 1,645
MM-331866SCDS	33	18.25	66.5	155	28.1	\$ 1,648
MM-361866SCDS	36	18.25	66.5	160	30.5	\$ 1,728
MM-271872SCDS	27	18.25	72.5	150	25.3	\$ 1,630
MM-301872SCDS	30	18.25	72.5	155	27.9	\$ 1,712
MM-331872SCDS	33	18.25	72.5	160	30.6	\$ 1,717
MM-361872SCDS	36	18.25	72.5	165	33.2	\$ 1,799
MM-271878SCDS	27	18.25	78.5	155	27.4	\$ 1,666
MM-301878SCDS	30	18.25	78.5	160	30.2	\$ 1,777
MM-331878SCDS	33	18.25	78.5	165	33.0	\$ 1,811
MM-361878SCDS	36	18.25	78.5	170	35.8	\$ 1,923

**OPTIONS**

Exterior Chassis Finish	Door Finish	Door Edge Finish	Hinge	Interior Options	Lock	Pull	Pull Finish
TFL Woodgrain Laminate <i>Quartered</i> QE2 DS2 PC2 EN2 CO2 ST2 NW2 <i>Flat Cut</i> LC2 KD2 MH2 MC2 VM2 LM2 BU2 BE2 QR2 <i>Textured Laminate (10% upcharge)</i> NG2 NH2 TFL Solid Color Laminate BL2 GR2 SG2 FW2 RW2	TFL Woodgrain Laminate <i>Quartered</i> QE2 DS2 PC2 EN2 CO2 ST2 NW2 <i>Flat Cut</i> LC2 KD2 MH2 MC2 VM2 LM2 BU2 BE2 QR2 <i>Textured Laminate (10% upcharge)</i> NG2 NH2 TFL Solid Color Laminate BL2 GR2 SG2 FW2 RW2	TFL Woodgrain Laminate <i>Quartered</i> QE2 DS2 PC2 EN2 CO2 ST2 NW2 <i>Flat Cut</i> LC2 KD2 MH2 MC2 VM2 LM2 BU2 BE2 QR2 <i>Textured Laminate (10% upcharge)</i> NG2 NH2 TFL Solid Color Laminate BL2 GR2 SG2 FW2 RW2	B3G Euro Soft Close Standard  B3J 5 Knuckle  B3H Euro Knuckle \$97 	X9 None Standard A4S Coat Hooks \$28 B3P Wardrobe Rail \$82 R7 Hanging Bar (24" deep models only) \$39 R8 Three Adjustable Shelves \$260 B3N Three Fixed Shelves \$260	NL No Lock - Standard LCK1 Requires 1 Lock Core \$77  H5S Assigned User Keyless Lock \$338 H5T Shared User Keyless Lock \$338  KML1 Assigned User Keyless Mechanical Lock \$202 KML2 Shared User Keyless Mechanical Lock \$202  PHL1 Pad Lock Hasp \$87  <b>NOTE:</b> LCK Locks ordered separately on page 5.	AS No Pull Crest  Era  Forte  Pure  Grip  B3D, SNCK Recessed (Satin Nickel Only) 	BWT Bone White CHLK Chalk MSL Luster Grey BKO Onyx SNCK Satin Nickel

**HOW TO ORDER**

SPECIFY: Exterior chassis finish | door finish | door edge finish | hinge | interior options | lock | pull | pull finish. See page 11 for a complete offering of finishes.

**MODEL NUMBER**

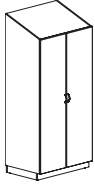
MM-271866SCDS

Exterior Chassis Finish	Door Finish	Door Edge Finish	Hinge	Interior Options	Lock	Pull	Pull Finish
NW2	NW2	NW2	B3G	R8	LCK1	Crest	MSL

**STORAGE CABINETS DOUBLE (CONT.)**

- Sloped top
- 2 full hinged doors
- 1 stationary shelf
- 4" recessed toe kick
- Adjustable levelers
- May be installed alone or with multiple cabinets
- In order to complete installation, either cove molding or toe kick rail must be adhered. Order cove molding separately, preferably from a local supplier early in the project. See pages 44 and 45 for toe kick rail offerings.
- All Mile Marker cabinetry is required to be anchored to a wall or floor. Installation hardware is not included with cabinets.

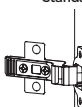

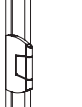


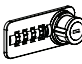



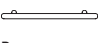



**STORAGE CABINET WITH DOORS SLOPED**



**18.25" DEEP MODELS**

model	w	d	h	wt	cu ft	List
MM-271884SCDS	27	18.25	84.5	160	29.4	\$ 1,776
MM-301884SCDS	30	18.25	84.5	165	32.4	\$ 1,892
MM-331884SCDS	33	18.25	84.5	170	35.5	\$ 1,932
MM-361884SCDS	36	18.25	84.5	175	38.5	\$ 2,047
MM-271890SCDS	27	18.25	90.5	165	31.4	\$ 1,883
MM-301890SCDS	30	18.25	90.5	165	34.7	\$ 2,006
MM-331890SCDS	33	18.25	90.5	175	37.9	\$ 2,052
MM-361890SCDS	36	18.25	90.5	175	41.2	\$ 2,174

**OPTIONS**

Exterior Chassis Finish	Door Finish	Door Edge Finish	Hinge	Interior Options	Lock	Pull	Pull Finish
TFL Woodgrain Laminate <i>Quartered</i> QE2 DS2 PC2 EN2 CO2 ST2 NW2 <i>Flat Cut</i> LC2 KD2 MH2 MC2 VM2 LM2 BU2 BE2 QR2 <i>Textured Laminate (10% upcharge)</i> NG2 NH2 TFL Solid Color Laminate BL2 GR2 SG2 FW2 RW2	TFL Woodgrain Laminate <i>Quartered</i> QE2 DS2 PC2 EN2 CO2 ST2 NW2 <i>Flat Cut</i> LC2 KD2 MH2 MC2 VM2 LM2 BU2 BE2 QR2 <i>Textured Laminate (10% upcharge)</i> NG2 NH2 TFL Solid Color Laminate BL2 GR2 SG2 FW2 RW2	TFL Woodgrain Laminate <i>Quartered</i> QE2 DS2 PC2 EN2 CO2 ST2 NW2 <i>Flat Cut</i> LC2 KD2 MH2 MC2 VM2 LM2 BU2 BE2 QR2 <i>Textured Laminate (10% upcharge)</i> NG2 NH2 TFL Solid Color Laminate BL2 GR2 SG2 FW2 RW2	B3G Euro Soft Close Standard  B3J 5 Knuckle  B3H Euro Knuckle \$97 	X9 None Standard A4S Coat Hooks \$28 B3P Wardrobe Rail \$82 R7 Hanging Bar (24" deep models only) \$39 R8 Three Adjustable Shelves \$260 B3N Three Fixed Shelves \$260	NL No Lock - Standard LCK1 Requires 1 Lock Core \$77  H5S Assigned User Keyless Lock \$338 H5T Shared User Keyless Lock \$338  KML1 Assigned User Keyless Mechanical Lock \$202 KML2 Shared User Keyless Mechanical Lock \$202  PHL1 Pad Lock Hasp \$87  <b>NOTE:</b> LCK Locks ordered separately on page 5.	AS No Pull Crest  Era  Forte  Pure  Grip  B3D, SNCK Recessed (Satin Nickel Only) 	BWT Bone White CHLK Chalk MSL Luster Grey BKO Onyx SNCK Satin Nickel

**HOW TO ORDER**

SPECIFY: Exterior chassis finish | door finish | door edge finish | hinge | interior options | lock | pull | pull finish. See page 11 for a complete offering of finishes.

**MODEL NUMBER**

MM-271866SCDS

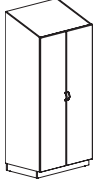
Exterior Chassis Finish	Door Finish	Door Edge Finish	Hinge	Interior Options	Lock	Pull	Pull Finish
NW2	NW2	NW2	B3G	R8	LCK1	Crest	MSL

**STORAGE CABINETS DOUBLE (CONT.)**

- Sloped top
- 2 full hinged doors
- 1 stationary shelf
- 4" recessed toe kick
- Adjustable levelers
- May be installed alone or with multiple cabinets
- In order to complete installation, either cove molding or toe kick rail must be adhered. Order cove molding separately, preferably from a local supplier early in the project. See pages 44 and 45 for toe kick rail offerings.
- All Mile Marker cabinetry is required to be anchored to a wall or floor. Installation hardware is not included with cabinets.

**STORAGE CABINET WITH DOORS SLOPED**

**24.25" DEEP MODELS**



model	w	d	h	wt	cu ft	List
MM-272468SCDS	27	24.25	68.5	160	31.1	\$ 1,599
MM-302468SCDS	30	24.25	68.5	165	34.3	\$ 1,733
MM-332468SCDS	33	24.25	68.5	170	37.5	\$ 1,789
MM-362468SCDS	36	24.25	68.5	175	40.7	\$ 1,923
MM-272474SCDS	27	24.25	74.5	165	33.7	\$ 1,667
MM-302474SCDS	30	24.25	74.5	170	37.2	\$ 1,804
MM-332474SCDS	33	24.25	74.5	175	40.7	\$ 1,863
MM-362474SCDS	36	24.25	74.5	180	44.2	\$ 1,999
MM-272480SCDS	27	24.25	80.5	170	36.3	\$ 1,765
MM-302480SCDS	30	24.25	80.5	175	40.1	\$ 1,911
MM-332480SCDS	33	24.25	80.5	180	43.9	\$ 1,981
MM-362480SCDS	36	24.25	80.5	185	47.6	\$ 2,128

**OPTIONS**

Exterior Chassis Finish	Door Finish	Door Edge Finish	Hinge	Interior Options	Lock	Pull	Pull Finish
TFL Woodgrain Laminate <i>Quartered</i> QE2 DS2 PC2 EN2 CO2 ST2 NW2 <i>Flat Cut</i> LC2 KD2 MH2 MC2 VM2 LM2 BU2 BE2 QR2 <i>Textured Laminate (10% upcharge)</i> NG2 NH2 TFL Solid Color Laminate BL2 GR2 SG2 FW2 RW2	TFL Woodgrain Laminate <i>Quartered</i> QE2 DS2 PC2 EN2 CO2 ST2 NW2 <i>Flat Cut</i> LC2 KD2 MH2 MC2 VM2 LM2 BU2 BE2 QR2 <i>Textured Laminate (10% upcharge)</i> NG2 NH2 TFL Solid Color Laminate BL2 GR2 SG2 FW2 RW2	TFL Woodgrain Laminate <i>Quartered</i> QE2 DS2 PC2 EN2 CO2 ST2 NW2 <i>Flat Cut</i> LC2 KD2 MH2 MC2 VM2 LM2 BU2 BE2 QR2 <i>Textured Laminate (10% upcharge)</i> NG2 NH2 TFL Solid Color Laminate BL2 GR2 SG2 FW2 RW2	B3G Euro Soft Close Standard  B3J 5 Knuckle  B3H Euro Knuckle \$97 	X9 None Standard A4S Coat Hooks \$28 B3P Wardrobe Rail \$82 R7 Hanging Bar (24" deep models only) \$39 R8 Three Adjustable Shelves \$260 B3N Three Fixed Shelves \$260	NL No Lock - Standard LCK1 Requires 1 Lock Core \$77  H5S Assigned User Keyless Lock \$338 H5T Shared User Keyless Lock \$338  KML1 Assigned User Keyless Mechanical Lock \$202 KML2 Shared User Keyless Mechanical Lock \$202  PHL1 Pad Lock Hasp \$87  <b>NOTE:</b> LCK Locks ordered separately on page 5.	AS No Pull Crest  Era  Forte  Pure  Grip  B3D, SNCK Recessed (Satin Nickel Only) 	BWT Bone White CHLK Chalk MSL Luster Grey BKO Onyx SNCK Satin Nickel

**HOW TO ORDER**

SPECIFY: Exterior chassis finish | door finish | door edge finish | hinge | interior options | lock | pull | pull finish. See page 11 for a complete offering of finishes.

**MODEL NUMBER**

MM-272468SCDS

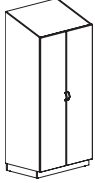
Exterior Chassis Finish	Door Finish	Door Edge Finish	Hinge	Interior Options	Lock	Pull	Pull Finish
NW2	NW2	NW2	B3G	R8	LCK1	Crest	MSL

**STORAGE CABINETS DOUBLE (CONT.)**

- Sloped top
- 2 full hinged doors
- 1 stationary shelf
- 4" recessed toe kick
- Adjustable levelers
- May be installed alone or with multiple cabinets
- In order to complete installation, either cove molding or toe kick rail must be adhered. Order cove molding separately, preferably from a local supplier early in the project. See pages 44 and 45 for toe kick rail offerings.
- All Mile Marker cabinetry is required to be anchored to a wall or floor. Installation hardware is not included with cabinets.

**STORAGE CABINET WITH DOORS SLOPED**

**24.25" DEEP MODELS**



model	w	d	h	wt	cu ft	List
MM-272486SCDS	27	24.25	86.5	175	39.0	\$ 1,901
MM-302486SCDS	30	24.25	86.5	180	43.0	\$ 2,026
MM-332486SCDS	33	24.25	86.5	185	47.1	\$ 2,074
MM-362486SCDS	36	24.25	86.5	190	51.1	\$ 2,200
MM-272492SCDS	27	24.25	92.5	180	41.6	\$ 2,201
MM-302492SCDS	30	24.25	92.5	185	45.9	\$ 2,280
MM-332492SCDS	33	24.25	92.5	190	50.2	\$ 2,281
MM-362492SCDS	36	24.25	92.5	195	54.6	\$ 2,359

**OPTIONS**

Exterior Chassis Finish	Door Finish	Door Edge Finish	Hinge	Interior Options	Lock	Pull	Pull Finish
TFL Woodgrain Laminate <i>Quartered</i> QE2 DS2 PC2 EN2 CO2 ST2 NW2 <i>Flat Cut</i> LC2 KD2 MH2 MC2 VM2 LM2 BU2 BE2 QR2 <i>Textured Laminate (10% upcharge)</i> NG2 NH2 TFL Solid Color Laminate BL2 GR2 SG2 FW2 RW2	TFL Woodgrain Laminate <i>Quartered</i> QE2 DS2 PC2 EN2 CO2 ST2 NW2 <i>Flat Cut</i> LC2 KD2 MH2 MC2 VM2 LM2 BU2 BE2 QR2 <i>Textured Laminate (10% upcharge)</i> NG2 NH2 TFL Solid Color Laminate BL2 GR2 SG2 FW2 RW2	TFL Woodgrain Laminate <i>Quartered</i> QE2 DS2 PC2 EN2 CO2 ST2 NW2 <i>Flat Cut</i> LC2 KD2 MH2 MC2 VM2 LM2 BU2 BE2 QR2 <i>Textured Laminate (10% upcharge)</i> NG2 NH2 TFL Solid Color Laminate BL2 GR2 SG2 FW2 RW2	B3G Euro Soft Close Standard  B3J 5 Knuckle  B3H Euro Knuckle \$97 	X9 None Standard A4S Coat Hooks \$28 B3P Wardrobe Rail \$82 R7 Hanging Bar (24" deep models only) \$39 R8 Three Adjustable Shelves \$260 B3N Three Fixed Shelves \$260	NL No Lock - Standard LCK1 Requires 1 Lock Core \$77  H5S Assigned User Keyless Lock \$338 H5T Shared User Keyless Lock \$338  KML1 Assigned User Keyless Mechanical Lock \$202 KML2 Shared User Keyless Mechanical Lock \$202  PHL1 Pad Lock Hasp \$87  <b>NOTE:</b> LCK Locks ordered separately on page 5.	AS No Pull Crest  Era  Forte  Pure  Grip  B3D, SNCK Recessed (Satin Nickel Only) 	BWT Bone White CHLK Chalk MSL Luster Grey BKO Onyx SNCK Satin Nickel

**HOW TO ORDER**

SPECIFY: Exterior chassis finish | door finish | door edge finish | hinge | interior options | lock | pull | pull finish. See page 11 for a complete offering of finishes.

**MODEL NUMBER**

MM-272468SCDS

Exterior Chassis Finish	Door Finish	Door Edge Finish	Hinge	Interior Options	Lock	Pull	Pull Finish
NW2	NW2	NW2	B3G	R8	LCK1	Crest	MSL

**STORAGE CABINETS FILLER**

- Closed flat top
- All Mile Marker cabinetry is required to be anchored to a wall or floor. Installation hardware is not included with cabinets.

**STORAGE FILLER**



**13.19" DEEP MODELS**

model	w	d	h	wt	cu ft	List
MM-61460SF	6	13.19	60	6	4.4	\$ 207
MM-61466SF	6	13.19	66	6	4.8	\$ 216
MM-61472SF	6	13.19	72	6	5.2	\$ 230
MM-61478SF	6	13.19	78	6	5.6	\$ 242
MM-61484SF	6	13.19	84	6	6.0	\$ 252

**17.5" DEEP MODELS**

model	w	d	h	wt	cu ft	List
MM-61835SF	6	17.5	35	6	3.3	\$ 196
MM-61838SF	6	17.5	38	6	3.6	\$ 209
MM-61841SF	6	17.5	41	6	3.9	\$ 218
MM-61844SF	6	17.5	44	6	4.2	\$ 227
MM-61847SF	6	17.5	47	6	4.4	\$ 237
MM-61850SF	6	17.5	50	6	4.7	\$ 247
MM-61860SF	6	17.5	60	6	5.6	\$ 214
MM-61866SF	6	17.5	66	6	6.1	\$ 226
MM-61872SF	6	17.5	72	6	6.7	\$ 237
MM-61878SF	6	17.5	78	6	7.2	\$ 249
MM-61884SF	6	17.5	84	6	7.8	\$ 262

**23.5" DEEP MODELS**

model	w	d	h	wt	cu ft	List
MM-62435SF	6	23.5	35	6	4.4	\$ 200
MM-62438SF	6	23.5	38	6	4.7	\$ 213
MM-62441SF	6	23.5	41	6	5.1	\$ 222
MM-62444SF	6	23.5	44	6	5.4	\$ 232
MM-62447SF	6	23.5	47	6	5.8	\$ 242
MM-62450SF	6	23.5	50	6	6.1	\$ 251
MM-62460SF	6	23.5	60	6	7.3	\$ 224
MM-62466SF	6	23.5	66	6	8.0	\$ 235
MM-62472SF	6	23.5	72	6	8.7	\$ 247
MM-62478SF	6	23.5	78	6	9.4	\$ 260
MM-62484SF	6	23.5	84	6	10.2	\$ 273

**OPTIONS**

**Exterior Chassis Finish**

TFL Woodgrain Laminate <i>Quartered</i>	<i>Flat Cut</i>	<i>Textured Laminate</i> <i>(10% upcharge)</i>	TFL Solid Color Laminate
QE2 DS2 PC2	LC2 KD2 MH2	NG2 NH2	BL2 GR2 SG2
EN2 CO2 ST2	MC2 VM2 LM2		FW2 RW2
NW2	BU2 BE2 QR2		

**HOW TO ORDER**

SPECIFY: Exterior chassis finish. See page 11 for a complete offering of finishes.

**MODEL NUMBER**

MM-61460SF

**Exterior Chassis Finish**

NW2

**STORAGE CABINETS FILLER**

- Closed sloped top
- All Mile Marker cabinetry is required to be anchored to a wall or floor. Installation hardware is not included with cabinets.

**STORAGE FILLER SLOPED**



**13.19" DEEP MODELS**

model	w	d	h	wt	cu ft	List
MM-61465SFS	6	13.19	65	6	4.7	\$ 218
MM-61471SFS	6	13.19	71	6	5.1	\$ 230
MM-61477SFS	6	13.19	77	6	5.6	\$ 242
MM-61483SFS	6	13.19	83	6	6.0	\$ 252
MM-61489SFS	6	13.19	89	6	6.4	\$ 266

**17.5" DEEP MODELS**

model	w	d	h	wt	cu ft	List
MM-61841SFS	6	17.5	41.5	6	3.9	\$ 217
MM-61844SFS	6	17.5	44.5	6	4.2	\$ 230
MM-61847SFS	6	17.5	47.5	6	4.5	\$ 241
MM-61850SFS	6	17.5	50.5	6	4.7	\$ 250
MM-61853SFS	6	17.5	53.5	6	5.0	\$ 261
MM-61856SFS	6	17.5	56.5	6	5.3	\$ 272
MM-61866SFS	6	17.5	66.5	6	6.2	\$ 226
MM-61872SFS	6	17.5	72.5	6	6.7	\$ 237
MM-61878SFS	6	17.5	78.5	6	7.3	\$ 249
MM-61884SFS	6	17.5	84.5	6	7.8	\$ 262
MM-61890SFS	6	17.5	90.5	6	8.4	\$ 275

**23.5" DEEP MODELS**

model	w	d	h	wt	cu ft	List
MM-62443SFS	6	17.5	43.5	6	4.1	\$ 221
MM-62446SFS	6	17.5	46.5	6	4.4	\$ 234
MM-62449SFS	6	17.5	49.5	6	4.6	\$ 245
MM-62452SFS	6	17.5	52.5	6	4.9	\$ 256
MM-62455SFS	6	17.5	55.5	6	5.2	\$ 266
MM-62458SFS	6	17.5	58.5	6	5.5	\$ 277
MM-62468SFS	6	23.5	68.5	6	8.3	\$ 235
MM-62474SFS	6	23.5	74.5	6	9.0	\$ 235
MM-62480SFS	6	23.5	80.5	6	9.7	\$ 247
MM-62486SFS	6	23.5	86.5	6	10.4	\$ 260
MM-62492SFS	6	23.5	92.5	6	11.2	\$ 273

**OPTIONS**

**Exterior Chassis Finish**

TFL Woodgrain Laminate <i>Quartered</i>	<i>Flat Cut</i>	<i>Textured Laminate</i> <i>(10% upcharge)</i>	TFL Solid Color Laminate
QE2 DS2 PC2	LC2 KD2 MH2	NG2 NH2	BL2 GR2 SG2
EN2 CO2 ST2	MC2 VM2 LM2		FW2 RW2
NW2	BU2 BE2 QR2		

**HOW TO ORDER**

SPECIFY: Exterior chassis finish. See page 11 for a complete offering of finishes.

**MODEL NUMBER**

MM-61465SFS

**Exterior Chassis Finish**

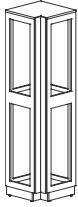
NW2



**CORNER STORAGE FILLER**

- Closed flat top

**CORNER STORAGE FILLER**



**13.19" DEEP MODELS**

model	w	d	h	wt	cu ft	List
MM-1660CSF	16	16	60	60	11.6	\$ 834
MM-1666CSF	16	16	66	65	12.8	\$ 907
MM-1672CSF	16	16	72	70	13.9	\$ 1,029
MM-1678CSF	16	16	78	75	15.0	\$ 1,154
MM-1684CSF	16	16	84	80	16.1	\$ 1,283

**17.5" DEEP MODELS**

model	w	d	h	wt	cu ft	List
MM-2060CSF	20.31	20.31	60	65	17.9	\$ 977
MM-2066CSF	20.31	20.31	66	70	19.6	\$ 1,062
MM-2072CSF	20.31	20.31	72	75	21.3	\$ 1,230
MM-2078CSF	20.31	20.31	78	80	23.0	\$ 1,348
MM-2084CSF	20.31	20.31	84	85	24.8	\$ 1,554

**23.5" DEEP MODELS**

model	w	d	h	wt	cu ft	List
MM-2660CSF	26.31	26.31	60	70	28.8	\$ 1,193
MM-2666CSF	26.31	26.31	66	75	31.5	\$ 1,297
MM-2672CSF	26.31	26.31	72	80	34.3	\$ 1,478
MM-2678CSF	26.31	26.31	78	85	37.1	\$ 1,535
MM-2684CSF	26.31	26.31	84	90	39.9	\$ 1,712

**OPTIONS**

**Exterior Chassis Finish**

TFL Woodgrain Laminate <i>Quartered</i>	<i>Flat Cut</i>	<i>Textured Laminate</i> <i>(10% upcharge)</i>	TFL Solid Color Laminate
QE2 DS2 PC2	LC2 KD2 MH2	NG2 NH2	BL2 GR2 SG2
EN2 CO2 ST2	MC2 VM2 LM2		FW2 RW2
NW2	BU2 BE2 QR2		

**HOW TO ORDER**

SPECIFY: Exterior chassis finish. See page 11 for a complete offering of finishes.

**MODEL NUMBER**

MM-1660CSF

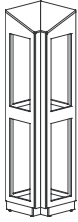
**Exterior Chassis Finish**

NW2

**CORNER STORAGE FILLER SLOPED**

- Closed sloped top

**CORNER STORAGE FILLER SLOPED**



**13.19" DEEP MODELS**

model	w	d	h	wt	cu ft	List
MM-1665CSFS	16	16	65	60	12.6	\$ 985
MM-1671CSFS	16	16	71	65	13.7	\$ 1,070
MM-1677CSFS	16	16	77	70	14.8	\$ 1,215
MM-1683CSFS	16	16	83	75	15.9	\$ 1,363
MM-1689CSFS	16	16	89	80	17.1	\$ 1,514

**17.5" DEEP MODELS**

model	w	d	h	wt	cu ft	List
MM-2066CSFS	20.31	20.31	66.5	65	19.7	\$ 1,153
MM-2072CSFS	20.31	20.31	72.5	70	21.5	\$ 1,253
MM-2078CSFS	20.31	20.31	78.5	75	23.2	\$ 1,451
MM-2084CSFS	20.31	20.31	84.5	80	24.9	\$ 1,591
MM-2090CSFS	20.31	20.31	90.5	85	26.6	\$ 1,834

**23.5" DEEP MODELS**

model	w	d	h	wt	cu ft	List
MM-2668CSFS	26.31	26.31	68.5	70	32.7	\$ 1,407
MM-2674CSFS	26.31	26.31	74.5	75	35.5	\$ 1,531
MM-2680CSFS	26.31	26.31	80.5	80	38.3	\$ 1,744
MM-2686CSFS	26.31	26.31	86.5	85	41.0	\$ 1,813
MM-2692CSFS	26.31	26.31	92.5	90	43.8	\$ 2,020

**OPTIONS**

**Exterior Chassis Finish**

TFL Woodgrain Laminate <i>Quartered</i>	<i>Flat Cut</i>	<i>Textured Laminate</i> <i>(10% upcharge)</i>	TFL Solid Color Laminate
QE2 DS2 PC2	LC2 KD2 MH2	NG2 NH2	BL2 GR2 SG2
EN2 CO2 ST2	MC2 VM2 LM2		FW2 RW2
NW2	BU2 BE2 QR2		

**HOW TO ORDER**

SPECIFY: Exterior chassis finish. See page 11 for a complete offering of finishes.

**MODEL NUMBER**

MM-1665CSFS

**Exterior Chassis Finish**

NW2

**MEDIA CABINETS**

- 4" recessed toe kick
- Adjustable levelers
- May be installed alone or with multiple cabinets
- In order to complete installation, either cove molding or toe kick rail must be adhered. Order cove molding separately, preferably from a local supplier early in the project. See pages 44 and 45 for toe kick rail offerings.
- All Mile Marker cabinetry is required to be anchored to a wall or floor. Installation hardware is not included with cabinets.

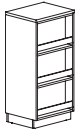
**MEDIA CABINET OPEN**



model	w	d	h	wt	cu ft	List
MM-211845MC	21	17.63	45	100	12.3	\$ 1,372
MM-241845MC	24	17.63	45	100	13.9	\$ 1,395

- 1 DVD/magazine rail
- 1 swing out flat panel TV mount

**MEDIA CABINET MAGAZINE**



model	w	d	h	wt	cu ft	List
MM-211845MCM	21	17.63	45	100	12.3	\$ 1,431
MM-241845MCM	24	17.63	45	100	13.9	\$ 1,457

- 3 DVD/magazine rails

**OPTIONS**

Exterior Chassis Finish	Top Finish
TFL Woodgrain Laminate <i>Quartered</i> QE2 DS2 PC2 EN2 CO2 ST2 NW2 <i>Flat Cut</i> LC2 KD2 MH2 MC2 VM2 LM2 BU2 BE2 QR2 <i>Textured Laminate</i> <i>(10% upcharge)</i> NG2 NH2	TFL Woodgrain Laminate <i>Quartered</i> QE2 DS2 ST2 EN2 CO2 NW2 PC2 <i>Flat Cut</i> LC2 KD2 MH2 MC2 VM2 LM2 BU2 BE2 QR2 <i>Textured Laminate</i> <i>(10% upcharge)</i> NG2 NH2
TFL Solid Color Laminate BL2 GR2 SG2 FW2 RW2	TFL Solid Color Laminate BL2 GR2 SG2 FW2 RW2
	Solid Surface Upcharge \$234 + Tier 1 <b>Standard</b> Tier 2 <b>\$359</b> Tier 3 <b>\$720</b> Tier 4 <b>\$1,079</b> Tier 5 <b>\$1,439</b> Tier 6 <b>\$1,800</b> Tier 7 <b>\$2,159</b>
	See page 13 for options/tiers

**HOW TO ORDER**

SPECIFY: Exterior chassis finish | top finish. See page 11 for a complete offering of finishes.

**MODEL NUMBER**

MM-211845MC

Exterior Chassis Finish	Top Finish
NW2	NW2

**STORAGE CABINETS MEDIA**

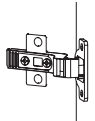

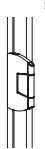


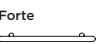


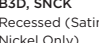

- 1 DVD/magazine rail
- 1 swing out flat panel TV mount
- 1 door
- 4" recessed toe kick
- Adjustable levelers
- May be installed alone or with multiple cabinets
- In order to complete installation, either cove molding or toe kick rail must be adhered. Order cove molding separately, preferably from a local supplier early in the project. See pages 44 and 45 for toe kick rail offerings.
- All Mile Marker cabinetry is required to be anchored to a wall or floor. Installation hardware is not included with cabinets.

**MEDIA CABINET WITH DOOR**



model	w	d	h	wt	cu ft	List
MM-211845MCD	21	18.25	45	100	12.7	\$ 1,554
MM-241845MCD	24	18.25	45	100	14.3	\$ 1,579

**OPTIONS**

Exterior Chassis Finish	Top Finish	Door Finish	Door Edge Finish	Hinge Location	Hinge	Lock	Pull	Pull Finish
TFL Woodgrain Laminate <i>Quartered</i> QE2 DS2 PC2 EN2 CO2 ST2 NW2 <i>Flat Cut</i> LC2 KD2 MH2 MC2 VM2 LM2 BU2 BE2 QR2 <i>Textured Laminate (10% upcharge)</i> NG2 NH2  TFL Solid Color Laminate BL2 GR2 SG2 FW2 RW2	TFL Woodgrain Laminate <i>Quartered</i> QE2 DS2 ST2 EN2 CO2 NW2 PC2 <i>Flat Cut</i> LC2 KD2 MH2 MC2 VM2 LM2 BU2 BE2 QR2 <i>Textured Laminate (10% upcharge)</i> NG2 NH2  TFL Solid Color Laminate BL2 GR2 SG2 FW2 RW2  Solid Surface Upcharge <b>\$234 +</b> Tier 1 <b>Standard</b> Tier 2 <b>\$359</b> Tier 3 <b>\$720</b> Tier 4 <b>\$1,079</b> Tier 5 <b>\$1,439</b> Tier 6 <b>\$1,800</b> Tier 7 <b>\$2,159</b>  See page 13 for options/tiers	TFL Woodgrain Laminate <i>Quartered</i> QE2 DS2 PC2 EN2 CO2 ST2 NW2 <i>Flat Cut</i> LC2 KD2 MH2 MC2 VM2 LM2 BU2 BE2 QR2 <i>Textured Laminate (10% upcharge)</i> NG2 NH2  TFL Solid Color Laminate BL2 GR2 SG2 FW2 RW2	TFL Woodgrain Laminate <i>Quartered</i> QE2 DS2 PC2 EN2 CO2 ST2 NW2 <i>Flat Cut</i> LC2 KD2 MH2 MC2 VM2 LM2 BU2 BE2 QR2 <i>Textured Laminate (10% upcharge)</i> NG2 NH2  TFL Solid Color Laminate BL2 GR2 SG2 FW2 RW2	B3K Left B3L Right	B3G Euro Soft Close <b>Standard</b>  B3J 5 Knuckle  B3H Euro Knuckle <b>\$44</b> 	NL No Lock - <b>Standard</b> LCK1 Requires 1 Lock Core <b>\$77</b> B3E Keyless <b>\$338</b>  NOTE: LCK Locks ordered separately on page 5.	AS No Pull  Crest  Era  Forte  Pure  Grip  B3D, SNCK Recessed (Satin Nickel Only) 	BWT Bone White CHLK Chalk MSL Luster Grey BKO Onyx SNCK Satin Nickel

**HOW TO ORDER**

SPECIFY: Exterior chassis finish | top finish | door finish | door edge finish | hinge location | hinge | lock | pull | pull finish. See page 11 for a complete offering of finishes.

**MODEL NUMBER**

MM-211845MCD

Exterior Chassis Finish	Top Finish	Door Finish	Door Edge Finish	Hinge Location	Hinge	Lock	Pull	Pull Finish
NW2	NW2	NW2	NW2	B3K	B3G	LCK1	Crest	MSL

**MEDIA CABINETS**

- 4" recessed toe kick
- Adjustable levelers
- May be installed alone or with multiple cabinets
- In order to complete installation, either cove molding or toe kick rail must be adhered. Order cove molding separately, preferably from a local supplier early in the project. See pages 44 and 45 for toe kick rail offerings.
- All Mile Marker cabinetry is required to be anchored to a wall or floor. Installation hardware is not included with cabinets.

**DOUBLE SIDED MEDIA CABINET OPEN**

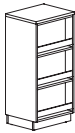


**24.25" DEEP MODELS**

model	w	d	h	wt	cu ft	List
MM-212445DSMC	21.25	24.25	45	120	16.6	\$ 1,657
MM-242445DSMC	24.25	24.25	45	130	18.7	\$ 1,686

- 1 DVD/magazine rail on each side
- 1 swing out flat panel TV mount on each side

**DOUBLE SIDED MEDIA CABINET MAGAZINE**



**24.25" DEEP MODELS**

model	w	d	h	wt	cu ft	List
MM-212445DSMCM	21.25	24.25	45	120	16.6	\$ 1,729
MM-242445DSMCM	24.25	24.25	45	130	18.7	\$ 1,759

- 3 DVD/magazine rails on each side

**OPTIONS**

Exterior Chassis Finish	Top Finish
TFL Woodgrain Laminate <i>Quartered</i> QE2 DS2 PC2 EN2 CO2 ST2 NW2 <i>Flat Cut</i> LC2 KD2 MH2 MC2 VM2 LM2 BU2 BE2 QR2 <i>Textured Laminate</i> <i>(10% upcharge)</i> NG2 NH2	TFL Woodgrain Laminate <i>Quartered</i> QE2 DS2 ST2 EN2 CO2 NW2 PC2 <i>Flat Cut</i> LC2 KD2 MH2 MC2 VM2 LM2 BU2 BE2 QR2 <i>Textured Laminate</i> <i>(10% upcharge)</i> NG2 NH2
TFL Solid Color Laminate BL2 GR2 SG2 FW2 RW2	TFL Solid Color Laminate BL2 GR2 SG2 FW2 RW2
	Solid Surface Upcharge \$234 + Tier 1 <b>Standard</b> Tier 2 <b>\$359</b> Tier 3 <b>\$720</b> Tier 4 <b>\$1,079</b> Tier 5 <b>\$1,439</b> Tier 6 <b>\$1,800</b> Tier 7 <b>\$2,159</b>
	See page 13 for options/tiers

**HOW TO ORDER**

SPECIFY: Exterior chassis finish | top finish. See page 11 for a complete offering of finishes.

**MODEL NUMBER**

MM-211845DSMC

Exterior Chassis Finish	Top Finish
NW2	NW2

**STORAGE CABINETS DOUBLE SIDED MEDIA**

- 1 DVD/magazine rail on each side
- 1 swing out flat panel TV mount on each side
- 1 door on each side
- 4" recessed toe kick
- Adjustable levelers
- May be installed alone or with multiple cabinets
- In order to complete installation, either cove molding or toe kick rail must be adhered. Order cove molding separately, preferably from a local supplier early in the project. See pages 44 and 45 for toe kick rail offerings.
- All Mile Marker cabinetry is required to be anchored to a wall or floor. Installation hardware is not included with cabinets.

**DOUBLE SIDED MEDIA CABINET WITH DOOR**



**25.63" DEEP MODELS**

model	w	d	h	wt	cu ft	List
MM-212445DSMCD	21.25	25.63	45	125	17.5	\$ 1,876
MM-242445DSMCD	24.25	25.63	45	135	17.5	\$ 1,905

**OPTIONS**

Exterior Chassis Finish	Top Finish	Door Finish	Door Edge Finish	Hinge	Lock	Pull	Pull Finish
TFL Woodgrain Laminate <i>Quartered</i> QE2 DS2 PC2 EN2 CO2 ST2 NW2 <i>Flat Cut</i> LC2 KD2 MH2 MC2 VM2 LM2 BU2 BE2 QR2 <i>Textured Laminate (10% upcharge)</i> NG2 NH2 TFL Solid Color Laminate BL2 GR2 SG2 FW2 RW2	TFL Woodgrain Laminate <i>Quartered</i> QE2 DS2 ST2 EN2 CO2 NW2 PC2 <i>Flat Cut</i> LC2 KD2 MH2 MC2 VM2 LM2 BU2 BE2 QR2 <i>Textured Laminate (10% upcharge)</i> NG2 NH2 TFL Solid Color Laminate BL2 GR2 SG2 FW2 RW2  Solid Surface Upcharge <b>\$234 +</b> Tier 1 <b>Standard</b> Tier 2 <b>\$359</b> Tier 3 <b>\$720</b> Tier 4 <b>\$1,079</b> Tier 5 <b>\$1,439</b> Tier 6 <b>\$1,800</b> Tier 7 <b>\$2,159</b>  See page 13 for options/tiers	TFL Woodgrain Laminate <i>Quartered</i> QE2 DS2 PC2 EN2 CO2 ST2 NW2 <i>Flat Cut</i> LC2 KD2 MH2 MC2 VM2 LM2 BU2 BE2 QR2 <i>Textured Laminate (10% upcharge)</i> NG2 NH2 TFL Solid Color Laminate BL2 GR2 SG2 FW2 RW2	TFL Woodgrain Laminate <i>Quartered</i> QE2 DS2 PC2 EN2 CO2 ST2 NW2 <i>Flat Cut</i> LC2 KD2 MH2 MC2 VM2 LM2 BU2 BE2 QR2 <i>Textured Laminate (10% upcharge)</i> NG2 NH2 TFL Solid Color Laminate BL2 GR2 SG2 FW2 RW2	<b>B3G</b> Euro Soft Close Standard  <b>B3J</b> 5 Knuckle  <b>B3H</b> Euro Knuckle \$87 	<b>NL</b> No Lock - Standard <b>LCK2</b> Requires 2 Lock Cores \$154 <b>H55</b> Assigned User Keyless Lock \$673 <b>H5T</b> Shared User Keyless Lock \$673  <b>NOTE:</b> LCK Locks ordered separately on page 5.	<b>AS</b> No Pull <b>Crest</b>  <b>Era</b>  <b>Forte</b>  <b>Pure</b>  <b>Grip</b>  <b>B3D, SNCK</b> Recessed (Satin Nickel Only) 	<b>BWT</b> Bone White <b>CHLK</b> Chalk <b>MSL</b> Luster Grey <b>BKO</b> Onyx <b>SNCK</b> Satin Nickel

**HOW TO ORDER**

SPECIFY: Exterior chassis finish | top finish | door finish | door edge finish | hinge | lock | pull | pull finish. See page 11 for a complete offering of finishes.

**MODEL NUMBER**

MM-212445DSMCD

Exterior Chassis Finish	Top Finish	Door Finish	Door Edge Finish	Hinge	Lock	Pull	Pull Finish
NW2	NW2	NW2	NW2	B3G	LCK2	Crest	MSL

**STORAGE CABINETS MEDIA NURSE SERVER**

- 1 DVD/magazine rail on each side
- 1 swing out flat panel TV mount on each side
- 1 drawer
- 4" recessed toe kick
- Adjustable levelers
- May be installed alone or with multiple cabinets
- In order to complete installation, either cove molding or toe kick rail must be adhered. Order cove molding separately, preferably from a local supplier early in the project. See pages 44 and 45 for toe kick rail offerings.
- All Mile Marker cabinetry is required to be anchored to a wall or floor. Installation hardware is not included with cabinets.

**MEDIA NURSE SERVER OPEN**



model	w	d	h	wt	cu ft	List
MM-392337MNS	38.5	23	37	125	22.9	\$ 2,454








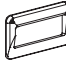
Left



Right

model		w	d	h	wt	cu ft	List
MM-252337MNSL	LEFT	24.5	23	37	105	15.0	\$ 1,950
MM-312337MNSL	LEFT	30.5	23	37	110	52.7	\$ 2,135
MM-252337MNSR	RIGHT	24.5	23	37	105	15.0	\$ 1,950
MM-312337MNSR	RIGHT	30.5	23	37	110	52.7	\$ 2,135

**OPTIONS**

Exterior Chassis Finish	Top Finish	Drawer Finish	Drawer Edge Finish	Lock	Pull	Pull Finish	Removable Drawer Liners
TFL Woodgrain Laminate <i>Quartered</i> QE2 DS2 PC2 EN2 CO2 ST2 NW2 <i>Flat Cut</i> LC2 KD2 MH2 MC2 VM2 LM2 BU2 BE2 QR2 <i>Textured Laminate (10% upcharge)</i> NG2 NH2  TFL Solid Color Laminate BL2 GR2 SG2 FW2 RW2	TFL Woodgrain Laminate <i>Quartered</i> QE2 DS2 ST2 EN2 CO2 NW2 PC2 <i>Flat Cut</i> LC2 KD2 MH2 MC2 VM2 LM2 BU2 BE2 QR2 <i>Textured Laminate (10% upcharge)</i> NG2 NH2  TFL Solid Color Laminate BL2 GR2 SG2 FW2 RW2  Solid Surface Upcharge \$234 + Tier 1 <b>Standard</b> Tier 2 <b>\$359</b> Tier 3 <b>\$720</b> Tier 4 <b>\$1,079</b> Tier 5 <b>\$1,439</b> Tier 6 <b>\$1,800</b> Tier 7 <b>\$2,159</b>  See page 13 for options/tiers	TFL Woodgrain Laminate <i>Quartered</i> QE2 DS2 PC2 EN2 CO2 ST2 NW2 <i>Flat Cut</i> LC2 KD2 MH2 MC2 VM2 LM2 BU2 BE2 QR2 <i>Textured Laminate (10% upcharge)</i> NG2 NH2  TFL Solid Color Laminate BL2 GR2 SG2 FW2 RW2	TFL Woodgrain Laminate <i>Quartered</i> QE2 DS2 PC2 EN2 CO2 ST2 NW2 <i>Flat Cut</i> LC2 KD2 MH2 MC2 VM2 LM2 BU2 BE2 QR2 <i>Textured Laminate (10% upcharge)</i> NG2 NH2  TFL Solid Color Laminate BL2 GR2 SG2 FW2 RW2	NL No Lock - <b>Standard</b> LCK1 Requires 1 Lock Core \$77 B3E Keyless \$338  NOTE: LCK Locks ordered separately on page 5.	AS No Pull  Awe   Crest   Era   Forte   Grip   B3D, SNCK Recessed (Satin Nickel Only) 	BWT Bone White CHLK Chalk MSL Luster Grey BKO Onyx SNCK Satin Nickel	Q3 None Q4 One Liner \$80

**HOW TO ORDER**

SPECIFY: Exterior chassis finish | top finish | drawer finish | drawer edge finish | lock | pull | pull finish | removable drawer liners. See page 11 for a complete offering of finishes.

**MODEL NUMBER**

MM-392337MNS

Exterior Chassis Finish	Top Finish	Drawer Finish	Drawer Edge Finish	Lock	Pull	Pull Finish	Removable Drawer Liners
NW2	NW2	NW2	NW2	LCK1	Awe	MSL	Q3

**STORAGE CABINETS MEDIA NURSE SERVER**

- Models have either 3 drawers, 4 drawers, or 1 door and 1 drawer
- 1 DVD/magazine rail on each side
- 1 swing out flat panel TV mount on each side
- 4" recessed toe kick
- Adjustable levelers
- May be installed alone or with multiple cabinets
- In order to complete installation, either cove molding or toe kick rail must be adhered. Order cove molding separately, preferably from a local supplier early in the project. See pages 44 and 45 for toe kick rail offerings.
- All Mile Marker cabinetry is required to be anchored to a wall or floor. Installation hardware is not included with cabinets.

**MEDIA NURSE SERVER WITH 3 DRAWERS**



Left



Right

model		w	d	h	wt	cu ft	List
MM-392337MNS3		38.5	23	37	145	22.9	\$ 3,493

model		w	d	h	wt	cu ft	List
MM-252337MNS3L	LEFT	24.5	23	37	125	15.0	\$ 2,773
MM-312337MNS3L	LEFT	30.5	23	37	130	52.7	\$ 3,038
MM-252337MNS3R	RIGHT	24.5	23	37	125	15.0	\$ 2,773
MM-312337MNS3R	RIGHT	30.5	23	37	130	52.7	\$ 3,038

**MEDIA NURSE SERVER WITH 4 DRAWERS**



Left





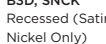



Right

model		w	d	h	wt	cu ft	List
MM-392337MNS4		38.5	23	37	155	22.9	\$ 3,803

model		w	d	h	wt	cu ft	List
MM-252337MNS4L	LEFT	24.5	23	37	135	15.0	\$ 3,021
MM-312337MNS4L	LEFT	30.5	23	37	140	52.7	\$ 3,306
MM-252337MNS4R	RIGHT	24.5	23	37	135	15.0	\$ 3,021
MM-312337MNS4R	RIGHT	30.5	23	37	140	52.7	\$ 3,306

**OPTIONS**

Exterior Chassis Finish	Top Finish	Door/Drawer Finish	Door/Drawer Edge Finish	Lock	Pull	Pull Finish	Removable Drawer Liners
TFL Woodgrain Laminate <i>Quartered</i> QE2 DS2 PC2 EN2 CO2 ST2 NW2 <i>Flat Cut</i> LC2 KD2 MH2 MC2 VM2 LM2 BU2 BE2 QR2 <i>Textured Laminate</i> (10% upcharge) NG2 NH2  TFL Solid Color Laminate BL2 GR2 SG2 FW2 RW2	TFL Woodgrain Laminate <i>Quartered</i> QE2 DS2 ST2 EN2 CO2 NW2 PC2 <i>Flat Cut</i> LC2 KD2 MH2 MC2 VM2 LM2 BU2 BE2 QR2 <i>Textured Laminate</i> (10% upcharge) NG2 NH2  TFL Solid Color Laminate BL2 GR2 SG2 FW2 RW2  Solid Surface Upcharge \$234 + Tier 1 <b>Standard</b> Tier 2 <b>\$359</b> Tier 3 <b>\$720</b> Tier 4 <b>\$1,079</b> Tier 5 <b>\$1,439</b> Tier 6 <b>\$1,800</b> Tier 7 <b>\$2,159</b>  See page 13 for options/tiers	TFL Woodgrain Laminate <i>Quartered</i> QE2 DS2 PC2 EN2 CO2 ST2 NW2 <i>Flat Cut</i> LC2 KD2 MH2 MC2 VM2 LM2 BU2 BE2 QR2 <i>Textured Laminate</i> (10% upcharge) NG2 NH2  TFL Solid Color Laminate BL2 GR2 SG2 FW2 RW2	TFL Woodgrain Laminate <i>Quartered</i> QE2 DS2 PC2 EN2 CO2 ST2 NW2 <i>Flat Cut</i> LC2 KD2 MH2 MC2 VM2 LM2 BU2 BE2 QR2 <i>Textured Laminate</i> (10% upcharge) NG2 NH2  TFL Solid Color Laminate BL2 GR2 SG2 FW2 RW2	<b>NL</b> No Lock - <b>Standard</b> <b>LCK1</b> Requires 1 Lock Core \$77 <b>B3E</b> Keyless \$338  <b>NOTE:</b> LCK Locks ordered separately on page 5.	<b>AS</b> No Pull <b>Awe</b>  <b>Crest</b>  <b>Era</b>  <b>Forte</b>  <b>Grip</b>  <b>B3D, SNCK</b> Recessed (Satin Nickel Only) 	<b>BWT</b> Bone White Chalk <b>CHLK</b> Luster Grey <b>MSL</b> Onyx <b>BKO</b> Satin Nickel <b>SNCK</b>  <b>Q3</b> None <b>Q4</b> One Liner \$80 <b>Q5</b> Two Liners \$159 <b>Q6</b> Three Liners \$239 <b>B3F</b> Four Liners \$318	

**HOW TO ORDER**

SPECIFY: Exterior chassis finish | top finish | door/drawer finish | door/drawer edge finish | lock | pull | pull finish | removable drawer liners. See page 11 for a complete offering of finishes.

**MODEL NUMBER**

MM-392337MNS3

Exterior Chassis Finish	Top Finish	Door/Drawer Finish	Door/Drawer Edge Finish	Lock	Pull	Pull Finish	Removable Drawer Liners
NW2	NW2	NW2	NW2	LCK1	Awe	MSL	Q3



**STORAGE CABINETS MEDIA NURSE SERVER**

- Models have either 3 drawers, 4 drawers, or 1 door and 1 drawer
- 1 DVD/magazine rail on each side
- 1 swing out flat panel TV mount on each side
- 4" recessed toe kick
- Adjustable levelers
- May be installed alone or with multiple cabinets
- In order to complete installation, either cove molding or toe kick rail must be adhered. Order cove molding separately, preferably from a local supplier early in the project. See pages 44 and 45 for toe kick rail offerings.
- All Mile Marker cabinetry is required to be anchored to a wall or floor. Installation hardware is not included with cabinets.

**MEDIA NURSE SERVER WITH DOOR AND DRAWER**



model	w	d	h	wt	cu ft	List
MM-392337MNSDD	38.5	23	37	130	22.9	\$ 2,585



Left



Right

model		w	d	h	wt	cu ft	List
MM-252337MNSDDL	LEFT	24.5	23	37	110	15.0	\$ 2,053
MM-312337MNSDDL	LEFT	30.5	23	37	115	52.7	\$ 2,249
MM-252337MNSDDR	RIGHT	24.5	23	37	110	15.0	\$ 2,053
MM-312337MNSDDR	RIGHT	30.5	23	37	115	52.7	\$ 2,249

**OPTIONS**

Exterior Chassis Finish	Top Finish	Door/Drawer Finish	Door/Drawer Edge Finish	Hinge Location	Lock	Pull	Pull Finish	Removable Drawer Liners
TFL Woodgrain Laminate <i>Quartered</i> QE2 DS2 PC2 EN2 CO2 ST2 NW2 <i>Flat Cut</i> LC2 KD2 MH2 MC2 VM2 LM2 BU2 BE2 QR2 <i>Textured Laminate (10% upcharge)</i> NG2 NH2  TFL Solid Color Laminate BL2 GR2 SG2 FW2 RW2	TFL Woodgrain Laminate <i>Quartered</i> QE2 DS2 ST2 EN2 CO2 NW2 PC2 <i>Flat Cut</i> LC2 KD2 MH2 MC2 VM2 LM2 BU2 BE2 QR2 <i>Textured Laminate (10% upcharge)</i> NG2 NH2  TFL Solid Color Laminate BL2 GR2 SG2 FW2 RW2  Solid Surface Upcharge <b>\$234 +</b> Tier 1 <b>Standard</b> Tier 2 <b>\$359</b> Tier 3 <b>\$720</b> Tier 4 <b>\$1,079</b> Tier 5 <b>\$1,439</b> Tier 6 <b>\$1,800</b> Tier 7 <b>\$2,159</b>  See page 13 for options/tiers	TFL Woodgrain Laminate <i>Quartered</i> QE2 DS2 PC2 EN2 CO2 ST2 NW2 <i>Flat Cut</i> LC2 KD2 MH2 MC2 VM2 LM2 BU2 BE2 QR2 <i>Textured Laminate (10% upcharge)</i> NG2 NH2  TFL Solid Color Laminate BL2 GR2 SG2 FW2 RW2	TFL Woodgrain Laminate <i>Quartered</i> QE2 DS2 PC2 EN2 CO2 ST2 NW2 <i>Flat Cut</i> LC2 KD2 MH2 MC2 VM2 LM2 BU2 BE2 QR2 <i>Textured Laminate (10% upcharge)</i> NG2 NH2  TFL Solid Color Laminate BL2 GR2 SG2 FW2 RW2	B3K Left B3L Right	NL No Lock - Standard LCK1 Requires 1 Lock Core <b>\$77</b> B3E Keyless <b>\$338</b>  NOTE: LCK Locks ordered separately on page 5.	AS No Pull  Awe  Crest  Era  Forte  Grip  B3D, SNCK Recessed (Satin Nickel Only)	BWT Bone White CHLK Chalk MSL Luster Grey BKO Onyx SNCK Satin Nickel	Q3 None Q4 One Liner <b>\$80</b> Q5 Two Liners <b>\$159</b> Q6 Three Liners <b>\$239</b> B3F Four Liners <b>\$318</b>

**HOW TO ORDER**

SPECIFY: Exterior chassis finish | top finish | door/drawer finish | door/drawer edge finish | hinge location | lock | pull | pull finish | removable drawer liners. See page 11 for a complete offering of finishes.

**MODEL NUMBER**

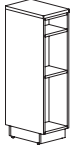
MM-392337MNSDD

Exterior Chassis Finish	Top Finish	Door/Drawer Finish	Door/Drawer Edge Finish	Hinge Location	Lock	Pull	Pull Finish	Removable Drawer Liners
NW2	NW2	NW2	NW2	B3K	LCK1	Awe	MSL	Q3

**STORAGE CABINETS DOUBLE SIDED SERVER**

- 2 stationary shelves on each side
- 4" recessed toe kick
- Adjustable levelers
- May be installed alone or with multiple cabinets
- In order to complete installation, either cove molding or toe kick rail must be adhered. Order cove molding separately, preferably from a local supplier early in the project. See pages 44 and 45 for toe kick rail offerings.
- All Mile Marker cabinetry is required to be anchored to a wall or floor. Installation hardware is not included with cabinets.

**DOUBLE SIDED STORAGE SERVER OPEN**



**24.25" DEEP MODELS**

model	w	d	h	wt	cu ft	List
MM-122445DSSS	12.25	24.25	45	90	10.2	\$ 917
MM-152445DSSS	15.25	24.25	45	100	12.3	\$ 946
MM-182445DSSS	18.25	24.25	45	110	14.5	\$ 1,004
MM-212445DSSS	21.25	24.25	45	120	16.6	\$ 1,044
MM-242445DSSS	24.25	24.25	45	130	18.7	\$ 1,082

**OPTIONS**

Exterior Chassis Finish	Top Finish
TFL Woodgrain Laminate <i>Quartered</i> QE2 DS2 PC2 EN2 CO2 ST2 NW2 <i>Flat Cut</i> LC2 KD2 MH2 MC2 VM2 LM2 BU2 BE2 QR2 <i>Textured Laminate</i> (10% upcharge) NG2 NH2	TFL Woodgrain Laminate <i>Quartered</i> QE2 DS2 ST2 EN2 CO2 NW2 PC2 <i>Flat Cut</i> LC2 KD2 MH2 MC2 VM2 LM2 BU2 BE2 QR2 <i>Textured Laminate</i> (10% upcharge) NG2 NH2
TFL Solid Color Laminate BL2 GR2 SG2 FW2 RW2	TFL Solid Color Laminate BL2 GR2 SG2 FW2 RW2
	Solid Surface Upcharge \$234 + Tier 1 <b>Standard</b> Tier 2 <b>\$359</b> Tier 3 <b>\$720</b> Tier 4 <b>\$1,079</b> Tier 5 <b>\$1,439</b> Tier 6 <b>\$1,800</b> Tier 7 <b>\$2,159</b>
	See page 13 for options/tiers

**HOW TO ORDER**

SPECIFY: Exterior chassis finish | top finish. See page 11 for a complete offering of finishes.

**MODEL NUMBER**

MM-122445DSSS

Exterior Chassis Finish	Top Finish
NW2	NW2

**STORAGE CABINETS DOUBLE SIDED SERVER**

- 2 stationary shelves on each side
- 1 door on each side
- 4" recessed toe kick
- Adjustable levelers
- May be installed alone or with multiple cabinets
- In order to complete installation, either cove molding or toe kick rail must be adhered. Order cove molding separately, preferably from a local supplier early in the project. See pages 44 and 45 for toe kick rail offerings.
- All Mile Marker cabinetry is required to be anchored to a wall or floor. Installation hardware is not included with cabinets.

**DOUBLE SIDED STORAGE SERVER WITH DOORS**



**25.63" DEEP MODELS**

model	w	d	h	wt	cu ft	List
MM-122445DSSSD	12.25	25.63	45	100	10.7	\$ 1,101
MM-152445DSSSD	15.25	25.63	45	110	13.0	\$ 1,130
MM-182445DSSSD	18.25	25.63	45	120	15.2	\$ 1,187
MM-212445DSSSD	21.25	25.63	45	130	17.5	\$ 1,228
MM-242445DSSSD	24.25	25.63	45	140	19.7	\$ 1,266

**OPTIONS**

Exterior Chassis Finish	Top Finish	Door Finish	Door Edge Finish	Hinge	Lock	Pull	Pull Finish
TFL Woodgrain Laminate <i>Quartered</i> QE2 DS2 PC2 EN2 CO2 ST2 NW2 <i>Flat Cut</i> LC2 KD2 MH2 MC2 VM2 LM2 BU2 BE2 QR2 <i>Textured Laminate (10% upcharge)</i> NG2 NH2 TFL Solid Color Laminate BL2 GR2 SG2 FW2 RW2	TFL Woodgrain Laminate <i>Quartered</i> QE2 DS2 ST2 EN2 CO2 NW2 <i>Flat Cut</i> LC2 KD2 MH2 MC2 VM2 LM2 BU2 BE2 QR2 <i>Textured Laminate (10% upcharge)</i> NG2 NH2 TFL Solid Color Laminate BL2 GR2 SG2 FW2 RW2  Solid Surface Upcharge <b>\$234 +</b> Tier 1 <b>Standard</b> Tier 2 <b>\$359</b> Tier 3 <b>\$720</b> Tier 4 <b>\$1,079</b> Tier 5 <b>\$1,439</b> Tier 6 <b>\$1,800</b> Tier 7 <b>\$2,159</b>  See page 13 for options/tiers	TFL Woodgrain Laminate <i>Quartered</i> QE2 DS2 PC2 EN2 CO2 ST2 NW2 <i>Flat Cut</i> LC2 KD2 MH2 MC2 VM2 LM2 BU2 BE2 QR2 <i>Textured Laminate (10% upcharge)</i> NG2 NH2 TFL Solid Color Laminate BL2 GR2 SG2 FW2 RW2	TFL Woodgrain Laminate <i>Quartered</i> QE2 DS2 PC2 EN2 CO2 ST2 NW2 <i>Flat Cut</i> LC2 KD2 MH2 MC2 VM2 LM2 BU2 BE2 QR2 <i>Textured Laminate (10% upcharge)</i> NG2 NH2 TFL Solid Color Laminate BL2 GR2 SG2 FW2 RW2	B3G Euro Soft Close Standard  B3J 5 Knuckle  B3H Euro Knuckle \$87 	NL No Lock - Standard LCK2 Requires 2 Lock Cores \$154 H55 Assigned User Keyless Lock \$673 H5T Shared User Keyless Lock \$673  NOTE: LCK Locks ordered separately on page 5.	AS No Pull  Crest  Era  Forte  Pure  Grip  B3D, SNCK Recessed (Satin Nickel Only) 	BWT Bone White CHLK Chalk MSL Luster Grey BKO Onyx SNCK Satin Nickel

**HOW TO ORDER**

SPECIFY: Exterior chassis finish | top finish | door finish | door edge finish | hinge | lock | pull | pull finish. See page 11 for a complete offering of finishes.

**MODEL NUMBER**

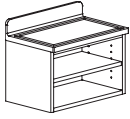
MM-122445DSSSD

Exterior Chassis Finish	Top Finish	Door Finish	Door Edge Finish	Hinge	Lock	Pull	Pull Finish
NW2	NW2	NW2	NW2	B3G	LCK2	Crest	MSL

**STORAGE CABINETS BEDSIDE**

- Attachment hardware is included
- All Mile Marker cabinetry is required to be anchored to a wall or floor
- Spill is not available on any TFL's

**BEDSIDE CABINET OPEN**



model	w	d	h	wt	cu ft	List
MM-201313BC	20.25	13	13	30	2.9	\$ 425

**OPTIONS**

Exterior Chassis Finish	Shelf	Top Finish	Spill Groove	Backsplash
<p>TFL Woodgrain Laminate <i>Quartered</i> QE2 DS2 PC2 EN2 CO2 ST2 NW2 <i>Flat Cut</i> LC2 KD2 MH2 MC2 VM2 LM2 BU2 BE2 QR2 <i>Textured Laminate</i> (10% upcharge) NG2 NH2</p> <p>TFL Solid Color Laminate BL2 GR2 SG2 FW2 RW2</p>	<p>X9 None <b>Standard</b> B3N Fixed <b>\$86</b> R8 Adjustable <b>\$86</b></p>	<p>TFL Woodgrain Laminate <i>Quartered</i> QE2 DS2 ST2 EN2 CO2 NW2 PC2 <i>Flat Cut</i> LC2 VM2 QR2 MC2 BE2 BU2 MH2 KD2 LM2 <i>Textured Laminate</i> (10% upcharge) NG2 NH2</p> <p>TFL Solid Color Laminate BL2 GR2 SG2 FW2 RW2</p> <p>3DL Woodgrain Laminate <i>Quartered</i> QE3 DS3 ST3 EN3 CO3 NW3 PC3 <i>Flat Cut</i> LC3 KD3 MH3 MC3 VM3 LM3 BU3 BE3 <i>Textured Laminate</i> (10% upcharge) NG3 NH3</p> <p>3DL Solid Color Laminate BL3 GR3 FW3 RW3</p> <p>Solid Surface Upcharge <b>\$234 +</b></p> <p>Tier 1 <b>Standard</b> Tier 2 <b>\$359</b> Tier 3 <b>\$720</b> Tier 4 <b>\$1,079</b> Tier 5 <b>\$1,439</b> Tier 6 <b>\$1,800</b> Tier 7 <b>\$2,159</b></p> <p>See page 13 for options/tiers</p>	<p>X9 None <b>Standard</b> B6D Spill Groove <b>\$80</b> NOTE: Available on 3DL and solid surface only.</p>	<p>X9 None <b>Standard</b> B6E Backsplash <b>\$172</b></p>

**HOW TO ORDER**

SPECIFY: Exterior chassis finish | shelf | top finish | spill groove | backsplash. See page 11 for a complete offering of finishes.

**MODEL NUMBER**

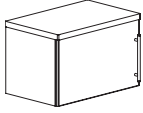
MM-201313BC

Exterior Chassis Finish	Shelf	Top Finish	Spill Groove	Backsplash
NW2	B3N	NW2	B6D	X9

**STORAGE CABINETS BEDSIDE**

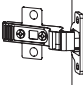








- 1 door
- Attachment hardware is included
- All Mile Marker cabinetry is required to be anchored to a wall or floor
- Spill is not available on any TFL's

**BEDSIDE CABINET W/DOOR**



model	w	d	h	wt	cu ft	List
MM-201313BCD	20.25	13	13	30	2.9	\$ 546

**OPTIONS**

Exterior Chassis Finish	Door Finish	Door Edge Finish	Top Finish	Spill Groove	Backsplash	Hinge Location	Hinge	Shelf	Lock	Pull	Pull Finish
TFL Woodgrain Laminate <i>Quartered</i> QE2 EN2 NW2 DS2 CO2 PC2 ST2 <i>Flat Cut</i> LC2 MC2 BU2 KD2 VM2 BE2 MH2 LM2 QR2 <i>Textured Laminate (10% upcharge)</i> NG2 NH2 TFL Solid Color Laminate BL2 FW2 GR2 RW2 SG2	TFL Woodgrain Laminate <i>Quartered</i> QE2 EN2 NW2 DS2 CO2 PC2 ST2 <i>Flat Cut</i> LC2 MC2 BU2 KD2 VM2 BE2 MH2 LM2 QR2 <i>Textured Laminate (10% upcharge)</i> NG2 NH2 TFL Solid Color Laminate BL2 FW2 GR2 RW2 SG2	TFL Woodgrain Laminate <i>Quartered</i> QE2 EN2 NW2 DS2 CO2 PC2 ST2 <i>Flat Cut</i> LC2 MC2 BU2 KD2 VM2 BE2 MH2 LM2 QR2 <i>Textured Laminate (10% upcharge)</i> NG2 NH2 TFL Solid Color Laminate BL2 FW2 GR2 RW2 SG2	TFL Woodgrain Laminate <i>Quartered</i> QE2 CO2 EN2 PC2 NW2 ST2 DS2 <i>Flat Cut</i> LC2 BE2 MC2 MH2 BU2 LM2 KD2 QR2 VM2 TFL Solid Color Laminate BL2 RW2 FW2 SG2 GR2 3DL Woodgrain Laminate <i>Quartered</i> QE3 CO3 EN3 PC3 NW3 ST3 DS3 <i>Flat Cut</i> LC3 VM3 MC3 BE3 BU3 MH3 KD3 LM3 <i>Textured Laminate (10% upcharge)</i> NG3 NH3 3DL Solid Color Laminate BL3 GR3 FW3 RW3 Solid Surface Upcharge <b>\$234 +</b> Tier 1 <b>Standard</b> Tier 2 <b>\$359</b> Tier 3 <b>\$720</b> Tier 4 <b>\$1,079</b> Tier 5 <b>\$1,439</b> Tier 6 <b>\$1,800</b> Tier 7 <b>\$2,159</b> See page 13 for options/tiers	X9 None <b>Standard</b> B6D Spill Groove <b>\$80</b> NOTE: Available on 3DL and solid surface only.	X9 None <b>Standard</b> B6E Backsplash <b>\$172</b>	B3K Left B3L Right	B3G Euro Soft Close <b>Standard</b>  B3J 5 Knuckle  B3H Euro Knuckle <b>\$44</b> 	X9 None <b>Standard</b> B3N Fixed <b>\$86</b> R8 Adjustable <b>\$86</b>	NL No Lock - <b>Standard</b> LCK1 Requires 1 Lock Core <b>\$77</b> B3E Keyless <b>\$338</b>  NOTE: LCK Locks ordered separately on page 5.	AS No Pull <b>Awe</b>  <b>Crest</b>  <b>Era</b>  <b>Forte</b>  <b>Grip</b>  <b>B3D, SNCK</b> Recessed (Satin Nickel Only) 	BWT Bone White CHLK Chalk MSL Luster Grey BKO Onyx SNCK Satin Nickel

**HOW TO ORDER**

SPECIFY: Exterior chassis finish | door finish | door edge finish | top finish | spill groove | backsplash | hinge location | hinge | shelf | lock | pull | pull finish. See page 11 for a complete offering of finishes.

**MODEL NUMBER**

MM-201313BCD

Exterior Chassis Finish	Door Finish	Door Edge Finish	Top Finish	Spill Groove	Backsplash	Hinge Location	Hinge	Shelf	Lock	Pull	Pull Finish
NW2	NW2	NW2	NW2	B6D	B6E	B3K	B3H	B3N	LCK1	Awe	MSL

**STORAGE CABINETS BEDSIDE**





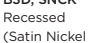

- 2 drawers
- Attachment hardware is included
- All Mile Marker cabinetry is required to be anchored to a wall or floor
- Spill is not available on any TFL's

**BEDSIDE CABINET W/2 DRAWERS**



model	w	d	h	wt	cu ft	List
MM-201313BC2	20.25	13	13	30	2.9	\$ 913

**OPTIONS**

Exterior Chassis Finish	Drawer Finish	Drawer Edge Finish	Top Finish	Spill Groove	Backsplash	Lock	Pull	Pull Finish	Removable Drawer Liners
TFL Woodgrain Laminate <i>Quartered</i> QE2 DS2 PC2 EN2 CO2 ST2 NW2 <i>Flat Cut</i> LC2 KD2 MH2 MC2 VM2 LM2 BU2 BE2 QR2 <i>Textured Laminate (10% upcharge)</i> NG2 NH2  TFL Solid Color Laminate BL2 GR2 SG2 FW2 RW2	TFL Woodgrain Laminate <i>Quartered</i> QE2 DS2 PC2 EN2 CO2 ST2 NW2 <i>Flat Cut</i> LC2 KD2 MH2 MC2 VM2 LM2 BU2 BE2 QR2 <i>Textured Laminate (10% upcharge)</i> NG2 NH2  TFL Solid Color Laminate BL2 GR2 SG2 FW2 RW2	TFL Woodgrain Laminate <i>Quartered</i> QE2 DS2 PC2 EN2 CO2 ST2 NW2 <i>Flat Cut</i> LC2 KD2 MH2 MC2 VM2 LM2 BU2 BE2 QR2 <i>Textured Laminate (10% upcharge)</i> NG2 NH2  TFL Solid Color Laminate BL2 GR2 SG2 FW2 RW2	TFL Woodgrain Laminate <i>Quartered</i> QE2 CO2 EN2 PC2 NW2 ST2 DS2 <i>Flat Cut</i> LC2 BE2 MC2 MH2 BU2 LM2 KD2 QR2 VM2 <i>Textured Laminate (10% upcharge)</i> NG2 NH2  TFL Solid Color Laminate BL2 RW2 FW2 SG2 GR2  3DL Woodgrain Laminate <i>Quartered</i> QE3 CO3 EN3 PC3 NW3 ST3 DS3 <i>Flat Cut</i> LC3 VM3 MC3 BE3 BU3 MH3 KD3 LM3 <i>Textured Laminate (10% upcharge)</i> NG3 NH3  3DL Solid Color Laminate BL3 GR3 FW3 RW3  Solid Surface Upcharge \$234 + Tier 1 Standard Tier 2 \$359 Tier 3 \$720 Tier 4 \$1,079 Tier 5 \$1,439 Tier 6 \$1,800 Tier 7 \$2,159  See page 13 for options/tiers	X9 None Standard B6D Spill Groove \$80  NOTE: Available on 3DL and solid surface only.	X9 None Standard B6E Backsplash \$172	NL No Lock - Standard LCK1 Requires 1 Lock Core \$77 B3E Keyless \$338  NOTE: LCK Locks ordered separately on page 5.	AS No Pull Awe  Crest  Era  Forte  Grip  B3D, SNCK Recessed (Satin Nickel Only) 	BWT Bone White CHLK Chalk MSL Luster Grey BKO Onyx SNCK Satin Nickel	Q3 None Q4 One Liner \$80 Q5 Two Liners \$159

**HOW TO ORDER**

SPECIFY: Exterior chassis finish | drawer finish | drawer edge finish | top finish | spill groove | backsplash | lock | pull | pull finish | removable drawer liners. See page 11 for a complete offering of finishes.

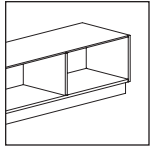
**MODEL NUMBER**

MM-201313BC2

Exterior Chassis Finish	Drawer Finish	Drawer Edge Finish	Top Finish	Spill Groove	Backsplash	Lock	Pull	Pull Finish	Removable Drawer Liners
NW2	NW2	NW2	NW2	B6D	B6E	LCK1	Awe	MSL	Q5

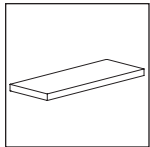
**BENCH DESIGN FEATURES**

Carolina is committed to a better way to experience healthcare. Mile Marker™ offers many built-in standard features and multiple optional upgrades that enhance the beauty and performance of the facility. These extras offer a better experience for the patient and family, and contribute to less stress for staff.



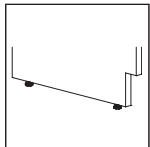
**CHASSIS**

are TFL (Thermally Fused Laminate) with 1 MM edge banding.



**UPHOLSTERED SEAT CUSHION**

is 2.375" thick high density foam.



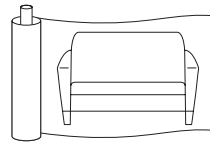
**ADJUSTABLE LEVELERS**

are included on all benches for leveling on uneven floors.

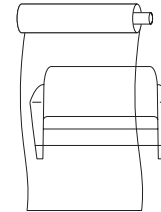
**CUSTOMER'S OWN MATERIAL (COM)**

All items are available with material furnished by the customer. Yardage requirements listed in our price list are based on 54" wide. We can take no responsibility for tailoring, wearability or application of COM covers. Carolina is not held responsible for receipt of defective fabrics, as we apply all COM as first quality goods. At no additional charge, Carolina will pre-approve any COM at the customer's request. The additional yardages are based on 54" wide goods. Please contact Customer Service if goods are less than 54" wide. Though every effort has been made to estimate excess yardage required for stripes and matches, Carolina takes NO responsibility where additional materials must be ordered.

repeat	railroaded (rr)	right way (rw)	2-way
1/4-5"	Add 10%	Add 15%	Add 15%
6-9"	Add 15%	Add 18%	Add 20%
10-13"	Add 20%	Add 25%	Add 30%
14-20"	Add 25%	Add 30%	Add 35%
21-27"	Add 30%	Add 35%	Add 40%
28-34"	Add 35%	Add 40%	Add 45%



RR = Railroad or Top to Selvage



RW = Right Way (as woven) or Top Right or In and Out of Bolt or Up the Goods.

**CUSTOMER'S OWN LEATHER (COL)**

If you desire to furnish your own leather, please figure 18 square feet per yard of 54" wide material, based on the yardage requirements listed for each model.

**SHIPPING COM'S AND COL'S**

All COM and COL packages must be marked clearly with the following information on BOTH the exterior package and the upholstery material when sent to the factory.

- Your company name & contact person
- Your purchase order number
- Style number and applicable upholstery cover number

On your purchase order the following information must be supplied to us regarding COM fabric:

- Manufacturer's name
- Correct style number to which COM or COL is to be applied
- A sample of the COM or COL
- Instructions for proper application
- Manufacturer's pattern and color number
- Correct side of fabric

When no instructions are received with your COM or COL, we will use our own judgment with no recourse. Extended lead times may occur if COM or COL is not properly identified when received by Carolina. Carolina is not responsible for any unclaimed COM/COL 15 days beyond shipment of goods.

ship all com and col prepaid to  
OFS Plant 3, Attn: COM Department  
105 West 10th Street  
Huntingburg, IN 47542

**CHASSIS FINISH**

Standard TFL Options (see page 11)

- |                        |                     |                           |
|------------------------|---------------------|---------------------------|
| <b>VM2</b> - Cognac    | <b>NW2</b> - Root   | <b>QR2</b> - Quarry       |
| <b>MC2</b> - Mocha     | <b>EN2</b> - Toffee | <b>ST2</b> - Steel        |
| <b>QE2</b> - Molasses  | <b>BE2</b> - Blonde | <b>BL2</b> - Black        |
| <b>LC2</b> - Sienna    | <b>MH2</b> - Honey  | <b>FW2</b> - Frosty White |
| <b>BU2</b> - Burnished | <b>LM2</b> - Ochre  | <b>GR2</b> - Grey         |
| <b>DS2</b> - Desert    | <b>CO2</b> - Linen  | <b>RW2</b> - Pure White   |
| <b>KD2</b> - Kodiak    | <b>PC2</b> - Pecan  | <b>SG2</b> - Slate Grey   |

**10% UPCHARGE**

- |                                 |                              |
|---------------------------------|------------------------------|
| <b>NH2</b><br>Natural Champagne | <b>NG2</b><br>Natural Walnut |
|---------------------------------|------------------------------|

**FABRIC PATTERN AND COLOR**

**INSTALLATION INFORMATION**

All Mile Marker cabinetry is recommended to be anchored to a wall or floor.

Installation hardware is not included with cabinets. Please check with installer regarding installation hardware requirements.

**COVE MOLDING REQUIREMENTS**

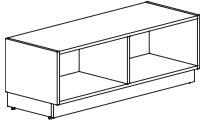
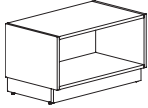
In order to complete installation, either cove molding or toe kick rail must be adhered. Order cove molding separately, preferably from a local supplier early in the project. See pages 44 and 45 for toe kick rail offerings.



**BENCH CABINETS**

- Bench Cabinet Open, models ending in BC are closed at the back and open at the front. 24", 30" and 36" have single opening. 48" divided into 2 cubbies. No doors.
- 4" recessed toe kick
- Adjustable levelers
- Bench cushion (sold separately) is attached to top of cabinet
- In order to complete installation, either cove molding or toe kick rail must be adhered. Order cove molding separately, preferably from a local supplier early in the project. See pages 44 and 45 for toe kick rail offerings.
- All Mile Marker cabinetry is required to be anchored to a wall or floor. Installation hardware is not included with cabinets.

**BENCH CABINET OPEN**



**11.5" DEEP MODELS**

model	w	d	h	wt	cu ft	List
MM-241219BC	24	11.5	17	40	3.9	\$ 931
MM-301219BC	30	11.5	17	45	4.8	\$ 989
MM-361219BC	36	11.5	17	50	5.6	\$ 1,044
MM-481219BC	48	11.5	17	55	7.4	\$ 1,161

**17.5" DEEP MODELS**

model	w	d	h	wt	cu ft	List
MM-241819BC	24	17.5	17	55	5.6	\$ 979
MM-301819BC	30	17.5	17	60	6.9	\$ 1,041
MM-361819BC	36	17.5	17	65	8.1	\$ 1,099
MM-481819BC	48	17.5	17	70	10.7	\$ 1,222

**23.5" DEEP MODELS**

model	w	d	h	wt	cu ft	List
MM-242419BC	24	23.5	17	55	7.3	\$ 1,039
MM-302419BC	30	23.5	17	60	9.0	\$ 1,103
MM-362419BC	36	23.5	17	65	10.7	\$ 1,163
MM-482419BC	48	23.5	17	70	14.0	\$ 1,292

**OPTIONS**

**Exterior Chassis Finish**

TFL Woodgrain Laminate

*Quartered*

QE2 DS2 PC2

EN2 CO2 ST2

NW2

*Flat Cut*

LC2 KD2 MH2

MC2 VM2 LM2

BU2 BE2 QR2

*Textured Laminate*

*(10% upcharge)*

NG2 NH2

TFL Solid Color Laminate

BL2 GR2 SG2

FW2 RW2

**HOW TO ORDER**

SPECIFY: Exterior chassis finish. See page 11 for a complete offering of finishes.

**MODEL NUMBER**

MM-241219BC

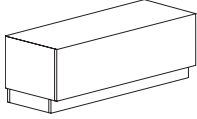
**Exterior Chassis Finish**

NW2

**BENCH CABINETS**

- Bench Cabinet Closed, models ending in BCC, are closed on all sides
- 4" recessed toe kick
- Adjustable levelers
- Bench cushion (sold separately) is attached to top of cabinet
- In order to complete installation, either cove molding or toe kick rail must be adhered. Order cove molding separately, preferably from a local supplier early in the project. See pages 44 and 45 for toe kick rail offerings.
- All Mile Marker cabinetry is required to be anchored to a wall or floor. Installation hardware is not included with cabinets.

**BENCH CABINET CLOSED**



**12.25" DEEP MODELS**

model	w	d	h	wt	cu ft	List
MM-241219BCC	24	12.25	17	45	4.1	\$ 1,008
MM-301219BCC	30	12.25	17	50	5.0	\$ 1,065
MM-361219BCC	36	12.25	17	55	6.0	\$ 1,116
MM-481219BCC	48	12.25	17	60	7.8	\$ 1,246

**18.25" DEEP MODELS**

model	w	d	h	wt	cu ft	List
MM-241819BCC	24	18.25	17	55	5.8	\$ 1,049
MM-301819BCC	30	18.25	17	55	7.1	\$ 1,107
MM-361819BCC	36	18.25	17	55	8.5	\$ 1,162
MM-481819BCC	48	18.25	17	55	11.1	\$ 1,298

**24.25" DEEP MODELS**

model	w	d	h	wt	cu ft	List
MM-242419BCC	24	24.25	17	55	7.5	\$ 1,106
MM-302419BCC	30	24.25	17	55	9.2	\$ 1,163
MM-362419BCC	36	24.25	17	55	11.0	\$ 1,226
MM-482419BCC	48	24.25	17	55	14.4	\$ 1,357

**OPTIONS**

**Exterior Chassis Finish**

TFL Woodgrain Laminate

*Quartered*

QE2 DS2 PC2

EN2 CO2 ST2

NW2

*Flat Cut*

LC2 KD2 MH2

MC2 VM2 LM2

BU2 BE2 QR2

*Textured Laminate*

*(10% upcharge)*

NG2 NH2

TFL Solid Color Laminate

BL2 GR2 SG2

FW2 RW2

**HOW TO ORDER**

SPECIFY: Exterior chassis finish. See page 11 for a complete offering of finishes.

**MODEL NUMBER**

MM-241219BCC

**Exterior Chassis Finish**

NW2

**SINGLE SIDED BENCH CUSHIONS**

- 2.38" thick cushion
- Bench sold separately
- Attached to bench with velcro
- For a list of fabric selection, visit [carolina.ofs.com/resources/textiles](http://carolina.ofs.com/resources/textiles)
- A sample of all COM fabrics must be submitted to Carolina for preliminary approval prior to shipment of fabric
- See pages 8-9 for COM and COL requirements

**BENCH CUSHION**



**12.5" DEEP MODELS**

model	w	d	h	wt	cu ft
MM-2412BC	24	12.5	2.38	8	1.0
MM-3012BC	30	12.5	2.38	10	1.2
MM-3612BC	36	12.5	2.38	12	1.4
MM-4812BC	48	12.5	2.38	15	1.8

**18.5" DEEP MODELS**

model	w	d	h	wt	cu ft
MM-2418BC	24	18.5	2.38	11	1.4
MM-3018BC	30	18.5	2.38	14	1.7
MM-3618BC	36	18.5	2.38	16	2.0
MM-4818BC	48	18.5	2.38	22	2.6

**24.5" DEEP MODELS**

model	w	d	h	wt	cu ft
MM-2424BC	24	24.5	2.38	14	1.7
MM-3024BC	30	24.5	2.38	16	2.1
MM-3624BC	36	24.5	2.38	18	2.6
MM-4824BC	48	24.5	2.38	24	3.4

**List Pricing/Grade**

	ydg	1	2	3	4	5	6	7	8	9	10	11	12	13	14	15	L1	L2	L3
MM-2412BC	(1)	322	338	357	381	414	461	508	555	602	649	696	743	790	837	884	545	592	639
MM-3012BC	(1)	396	412	431	455	488	535	582	629	676	723	770	817	864	911	958	619	666	713
MM-3612BC	(1.5)	472	497	525	560	610	680	751	821	892	962	1,033	1,103	1,174	1,244	1,315	792	864	933
MM-4812BC	(1.5)	620	645	673	708	758	828	899	969	1,040	1,110	1,181	1,251	1,322	1,392	1,463	940	1,012	1,081
MM-2418BC	(1.5)	291	316	344	379	429	499	570	640	711	781	852	922	993	1,063	1,134	611	683	752
MM-3018BC	(1.5)	366	391	419	454	504	574	645	715	786	856	927	997	1,068	1,138	1,209	686	758	827
MM-3618BC	(1.5)	440	465	493	528	578	648	719	789	860	930	1,001	1,071	1,142	1,212	1,283	760	832	901
MM-4818BC	(2)	589	622	660	707	772	866	960	1,055	1,149	1,243	1,337	1,431	1,525	1,619	1,713	1,007	1,102	1,195
MM-2424BC	(1.5)	366	391	419	454	504	574	645	715	786	856	927	997	1,068	1,138	1,209	686	758	827
MM-3024BC	(1.5)	440	465	493	528	578	648	719	789	860	930	1,001	1,071	1,142	1,212	1,283	760	832	901
MM-3624BC	(1.5)	514	539	567	602	652	722	793	863	934	1,004	1,075	1,145	1,216	1,286	1,357	834	906	975
MM-4824BC	(2)	663	696	734	781	846	940	1,034	1,129	1,223	1,317	1,411	1,505	1,599	1,693	1,787	1,081	1,176	1,269

**OPTIONS**

**FABRIC / PATTERN / COLOR**

For a list of graded-in fabrics, visit [carolina.ofs.com/resources/textiles](http://carolina.ofs.com/resources/textiles). See pages 8-9 for COM and COL requirements.

**HOW TO ORDER**

SPECIFY: Fabric / pattern / color.

**MODEL NUMBER**

MM-2412BC

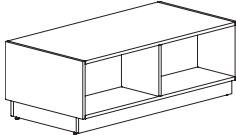
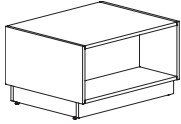
**Fabric / Pattern / Color**

CF Stinson - Chi - Indigo

**DOUBLE SIDED BENCHES**

- Double Sided Bench Cabinet Open is open at front and back with a vertical divider separating front from back. 24", 30" and 36" have single opening per side. 48" divided into 2 cubbies per side. No doors.
- 4" recessed toe kick
- Adjustable levelers
- Bench cushion (sold separately) is attached to top of cabinet
- In order to complete installation, either cove molding or toe kick rail must be adhered. Order cove molding separately, preferably from a local supplier early in the project. See pages 44 and 45 for toe kick rail offerings.
- All Mile Marker cabinetry is required to be anchored to a wall or floor. Installation hardware is not included with cabinets.

**DOUBLE SIDED BENCH CABINET OPEN**



**24" DEEP MODELS**

model	w	d	h	wt	cu ft	List
MM-242419DSBC	24	24	17	55	7.4	\$ 1,148
MM-302419DSBC	30	24	17	60	9.1	\$ 1,213
MM-362419DSBC	36	24	17	65	10.9	\$ 1,271
MM-482419DSBC	48	24	17	70	14.3	\$ 1,399

**OPTIONS**

**Exterior Chassis Finish**

TFL Woodgrain Laminate

*Quartered*

QE2 DS2 PC2

EN2 CO2 ST2

NW2

*Flat Cut*

LC2 KD2 MH2

MC2 VM2 LM2

BU2 BE2 QR2

*Textured Laminate*

*(10% upcharge)*

NG2 NH2

TFL Solid Color Laminate

BL2 GR2 SG2

FW2 RW2

**HOW TO ORDER**

SPECIFY: Exterior chassis finish. See page 11 for a complete offering of finishes.

**MODEL NUMBER**

MM-242419DSBC

**Exterior Chassis Finish**

NW2

**DOUBLE SIDED BENCH CUSHIONS**

- 2.38" thick cushion
- Bench sold separately
- Attached to bench with velcro
- For a list of fabric selection, visit [carolina.ofs.com/resources/textiles](http://carolina.ofs.com/resources/textiles)
- A sample of all COM fabrics must be submitted to Carolina for preliminary approval prior to shipment of fabric
- See pages 8-9 for COM and COL requirements

**BENCH CUSHION**



**26" DEEP MODELS**

model	w	d	h	wt	cu ft
MM-2426DSBC	24	26	2.38	15	1.8
MM-3026DSBC	30	26	2.38	17	2.3
MM-3626DSBC	36	26	2.38	19	2.7
MM-4826DSBC	48	26	2.38	25	3.5

**List Pricing/Grade**

	ydg	1	2	3	4	5	6	7	8	9	10	11	12	13	14	15	L1	L2	L3
MM-2426DSBC	(1.5)	382	407	435	470	520	590	661	731	802	872	943	1,013	1,084	1,154	1,225	702	774	843
MM-3026DSBC	(1.5)	455	480	508	543	593	663	734	804	875	945	1,016	1,086	1,157	1,227	1,298	775	847	916
MM-3626DSBC	(1.5)	527	552	580	615	665	735	806	876	947	1,017	1,088	1,158	1,229	1,299	1,370	847	919	988
MM-4826DSBC	(2)	672	705	743	790	855	949	1,043	1,138	1,232	1,326	1,420	1,514	1,608	1,702	1,796	1,090	1,185	1,278

**OPTIONS**

**FABRIC / PATTERN / COLOR**

For a list of graded-in fabrics, visit [carolina.ofs.com/resources/textiles](http://carolina.ofs.com/resources/textiles). See pages 8-9 for COM and COL requirements.

**HOW TO ORDER**

SPECIFY: Fabric / pattern / color.

**MODEL NUMBER**

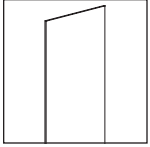
MM-2426DSBC

**Fabric / Pattern / Color**

CF Stinson - Chi - Indigo

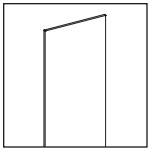
## WALL PANEL DESIGN FEATURES

Carolina is committed to a better way to experience healthcare. Mile Marker™ offers many built-in standard features and multiple optional upgrades that enhance the beauty and performance of the facility. These extras offer a better experience for the patient and family, and contribute to less stress for staff.



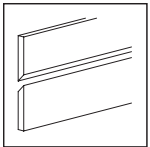
### PANELS

are TFL (Thermally Fused Laminate) with 1 MM edge banding.



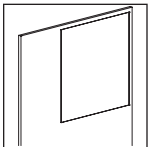
### FLAT TOPS OR SLOPED TOPS

available for local codes.



### ATTACHMENT HARDWARE

is included.



### BACK PAINTED GLASS MARKER BOARD

is available back painted white and magnetic back painted white. Rare earth magnets are available as an accessory on page 262. Size 22" x 22".

**CHASSIS FINISH**

Standard TFL Options (see page 11)

- |                        |                     |                           |
|------------------------|---------------------|---------------------------|
| <b>VM2</b> - Cognac    | <b>NW2</b> - Root   | <b>QR2</b> - Quarry       |
| <b>MC2</b> - Mocha     | <b>EN2</b> - Toffee | <b>ST2</b> - Steel        |
| <b>QE2</b> - Molasses  | <b>BE2</b> - Blonde | <b>BL2</b> - Black        |
| <b>LC2</b> - Sienna    | <b>MH2</b> - Honey  | <b>FW2</b> - Frosty White |
| <b>BU2</b> - Burnished | <b>LM2</b> - Ochre  | <b>GR2</b> - Grey         |
| <b>DS2</b> - Desert    | <b>CO2</b> - Linen  | <b>RW2</b> - Pure White   |
| <b>KD2</b> - Kodiak    | <b>PC2</b> - Pecan  | <b>SG2</b> - Slate Grey   |

**10% UPCHARGE**

- |                   |                |
|-------------------|----------------|
| <b>NH2</b>        | <b>NG2</b>     |
| Natural Champagne | Natural Walnut |

**BACK PAINTED GLASS MARKER BOARD**

- X9** - None, standard
- B6A** - Back Painted Glass (upcharge \$352)
- C2E** - Magnetic Back Painted Glass (upcharge \$480)

**GLASS LOCATION**

- B3K** - Left
- B3L** - Right

**BACK PAINTED GLASS**

- X9** - None, standard
- B6A** - Back Painted Glass (upcharge \$352)
- C2E** - Magnetic Back Painted Glass (upcharge \$480)

**WALL PANELS**

- Flat top
- 22" x 22" Back Painted Glass Marker Board option is available
- Back Painted Glass Marker Board vertical position: For panel heights 24" to 42" Back Painted Glass Marker Board positioned 1" from top of panel to top of glass. For panel heights 72" to 86" Back Painted Glass Marker Board positioned 49" from bottom of panel to bottom of glass.
- Attachment hardware is included
- All Mile Marker cabinetry is required to be anchored to a wall or floor

**FLAT PANEL**



**24" HIGH MODELS**

model	w	d	h	wt	cu ft	List
MM-2424WP	24	0.75	24	12	1.1	\$ 225
MM-3624WP	36	0.75	24	18	1.6	\$ 279
MM-4824WP	48	0.75	24	24	2.1	\$ 332
MM-5224WP	52	0.75	24	26	2.2	\$ 352
MM-6024WP	60	0.75	24	30	2.6	\$ 390

**32" HIGH MODELS**

model	w	d	h	wt	cu ft	List
MM-2432WP	24	0.75	32	16	1.4	\$ 261
MM-3632WP	36	0.75	32	24	2.1	\$ 332
MM-4832WP	48	0.75	32	32	2.7	\$ 407
MM-5232WP	52	0.75	32	35	2.9	\$ 432
MM-6032WP	60	0.75	32	40	3.4	\$ 480

**40" HIGH MODELS**

model	w	d	h	wt	cu ft	List
MM-2440WP	24	0.75	40	20	1.7	\$ 297
MM-3640WP	36	0.75	40	30	2.5	\$ 390
MM-4840WP	48	0.75	40	40	3.3	\$ 480
MM-5240WP	52	0.75	40	44	3.6	\$ 511
MM-6040WP	60	0.75	40	50	4.1	\$ 571

**72" HIGH MODELS**

model	w	d	h	wt	cu ft	List
MM-2472WP	24	0.75	72	36	3.1	\$ 444
MM-3672WP	36	0.75	72	54	4.5	\$ 608
MM-4872WP	48	0.75	72	72	5.9	\$ 773
MM-5272WP	52	0.75	72	78	6.4	\$ 827
MM-6072WP	60	0.75	72	90	7.3	\$ 938

**78" HIGH MODELS**

model	w	d	h	wt	cu ft	List
MM-2478WP	24	0.75	78	39	3.1	\$ 473
MM-3678WP	36	0.75	78	59	4.5	\$ 649
MM-4878WP	48	0.75	78	78	5.9	\$ 827
MM-5278WP	52	0.75	78	85	6.4	\$ 888
MM-6078WP	60	0.75	78	98	7.3	\$ 1,006

**84" HIGH MODELS**

model	w	d	h	wt	cu ft	List
MM-2484WP	24	0.75	84	42	3.6	\$ 499
MM-3684WP	36	0.75	84	63	5.2	\$ 692
MM-4884WP	48	0.75	84	84	6.8	\$ 883
MM-5284WP	52	0.75	84	91	7.4	\$ 947
MM-6084WP	60	0.75	84	105	8.5	\$ 1,074

**OPTIONS**

Exterior Chassis Finish	Back Painted Glass Marker Board	Glass Location
TFL Woodgrain Laminate <i>Quartered</i> QE2 EN2 NW2 DS2 CO2 PC2 ST2 <i>Flat Cut</i> LC2 MC2 BU2 KD2 VM2 BE2 MH2 LM2 QR2 Textured Laminate (10% upcharge) NG2 NH2 TFL Solid Color Laminate BL2 FW2 GR2 RW2 SG2	X9 None <b>Standard</b> B6A White <b>\$352</b> C2E Magnetic White <b>\$480</b>	B3K Left B3L Right

**HOW TO ORDER**

SPECIFY: Exterior chassis finish | back painted glass marker board | glass location. See page 11 for a complete offering of finishes.

**MODEL NUMBER**

MM-2424WP

Exterior Chassis Finish	Back Painted Glass Marker Board	Glass Location
NW2	B6A	B3K



**WALL PANELS**

- Sloped top
- Back Painted Glass Marker Board vertical position:  
For panel heights 24" to 42" Back Painted Glass Marker Board positioned 1" from top of panel to top of glass. For panel heights 72" to 86" Back Painted Glass Marker Board positioned 49" from bottom of panel to bottom of glass.
- Attachment hardware is included
- All Mile Marker cabinetry is required to be anchored to a wall or floor

**FLAT PANEL SLOPED**



**26" HIGH MODELS**

model	w	d	h	wt	cu ft	List
MM-2426WPS	24	0.75	26	13	1.2	\$ 242
MM-3626WPS	36	0.75	26	20	1.7	\$ 306
MM-4826WPS	48	0.75	26	26	2.2	\$ 368
MM-5226WPS	52	0.75	26	29	2.4	\$ 390
MM-6026WPS	60	0.75	26	33	2.8	\$ 432

**34" HIGH MODELS**

model	w	d	h	wt	cu ft	List
MM-2434WPS	24	0.75	34	17	1.5	\$ 280
MM-3634WPS	36	0.75	34	26	2.2	\$ 363
MM-4834WPS	48	0.75	34	34	2.9	\$ 446
MM-5234WPS	52	0.75	34	37	3.1	\$ 475
MM-6034WPS	60	0.75	34	43	3.6	\$ 529

**42" HIGH MODELS**

model	w	d	h	wt	cu ft	List
MM-2442WPS	24	0.75	42	21	1.8	\$ 319
MM-3642WPS	36	0.75	42	32	2.7	\$ 422
MM-4842WPS	48	0.75	42	42	3.5	\$ 525
MM-5242WPS	52	0.75	42	46	3.8	\$ 559
MM-6042WPS	60	0.75	42	53	4.3	\$ 626

**74" HIGH MODELS**

model	w	d	h	wt	cu ft	List
MM-2474WPS	24	0.75	74	37	3.1	\$ 476
MM-3674WPS	36	0.75	74	56	4.6	\$ 656
MM-4874WPS	48	0.75	74	74	6.0	\$ 836
MM-5274WPS	52	0.75	74	81	6.5	\$ 896
MM-6074WPS	60	0.75	74	93	7.5	\$ 1,017

**80" HIGH MODELS**

model	w	d	h	wt	cu ft	List
MM-2480WPS	24	0.75	80	40	3.4	\$ 505
MM-3680WPS	36	0.75	80	60	5.0	\$ 700
MM-4880WPS	48	0.75	80	80	6.5	\$ 895
MM-5280WPS	52	0.75	80	87	7.0	\$ 959
MM-6080WPS	60	0.75	80	100	8.1	\$ 1,090

**86" HIGH MODELS**

model	w	d	h	wt	cu ft	List
MM-2486WPS	24	0.75	86	43	3.6	\$ 535
MM-3686WPS	36	0.75	86	65	5.3	\$ 743
MM-4886WPS	48	0.75	86	86	7.0	\$ 952
MM-5286WPS	52	0.75	86	94	7.6	\$ 1,022
MM-6086WPS	60	0.75	86	108	8.7	\$ 1,163

**OPTIONS**

Exterior Chassis Finish	Back Painted Glass Marker Board	Glass Location
TFL Woodgrain Laminate <i>Quartered</i> QE2 EN2 NW2 DS2 CO2 PC2 ST2 <i>Flat Cut</i> LC2 MC2 BU2 KD2 VM2 BE2 MH2 LM2 QR2 Textured Laminate (10% upcharge) NG2 NH2 TFL Solid Color Laminate BL2 FW2 GR2 RW2 SG2	X9 None Standard B6A White \$352 C2E Magnetic White \$480	B3K Left B3L Right

**HOW TO ORDER**

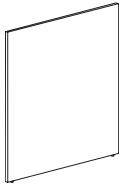
SPECIFY: Exterior chassis finish | back painted glass marker board | glass location. See page 11 for a complete offering of finishes.

**MODEL NUMBER**

MM-2426WPS

Exterior Chassis Finish	Back Painted Glass Marker Board	Glass Location
NW2	B6A	B3K

DIVIDERS/PRIVACY PANELS



model	w	d	h	wt	cu ft	List
MM-2442DP	24	42		26	2.0	\$ 290
MM-3042DP	30	42		33	2.4	\$ 299
MM-3642DP	36	42		40	2.9	\$ 327
MM-4842DP	48	42		53	3.8	\$ 405
MM-2448DP	24	48		30	2.3	\$ 318
MM-3048DP	30	48		38	2.8	\$ 327
MM-3648DP	36	48		45	3.3	\$ 351
MM-4848DP	48	48		60	4.3	\$ 469

OPTIONS

Finish

TFL Woodgrain Laminate

*Quartered*

QE2 EN2 NW2 DS2 CO2 PC2 ST2

*Flat Cut*

LC2 MC2 BU2 KD2 VM2 BE2 MH2 LM2 QR2

*Textured Laminate (10% upcharge)*

NG2 NH2

TFL Solid Color Laminate

BL2 FW2 GR2 RW2 SG2

HOW TO ORDER

SPECIFY: Finish. See page 11 for a complete offering of finishes.

MODEL NUMBER

MM-2442DP

Exterior Chassis Finish

NW2

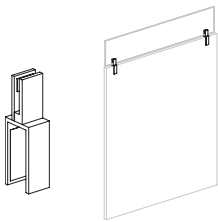
DIVIDERS/PRIVACY PANELS



model	w	d	h	wt	cu ft	Price Clear Glass	Price Single Sided Frosted Glass	Price Double Sided Frosted Glass
MM-PVPG-17/8	17	8		3	0.2	\$ 173	\$ 241	\$ 323
MM-PVPG-23/8	23	8		4	0.3	\$ 177	\$ 246	\$ 351
MM-PVPG-29/8	29	8		6	0.4	\$ 180	\$ 251	\$ 383
MM-PVPG-41/8	41	8		8	0.6	\$ 213	\$ 357	\$ 460

model	w	d	h	wt	cu ft	Price 3form	Price Lumicor
MM-PVPP-17/8	17	8		2	0.2	\$ 467	\$ 601
MM-PVPP-23/8	23	8		2	0.3	\$ 475	\$ 610
MM-PVPP-29/8	29	8		3	0.4	\$ 603	\$ 851
MM-PVPP-41/8	41	8		4	0.6	\$ 644	\$ 919

model	w	d	h	wt	cu ft	Price
MM-PVPA-17/8	17	8		2	0.2	\$ 162
MM-PVPA-23/8	23	8		2	0.3	\$ 170
MM-PVPA-29/8	29	8		3	0.4	\$ 183
MM-PVPA-41/8	41	8		4	0.6	\$ 236



model	w	d	h	wt	cu ft	Price
PVPBKT-2				1	0.1	\$ 39

HOW TO ORDER

MODEL NUMBER

MM-PVPG-17/8

**LOCKER TAG STANDARD FEATURES**

- Brushed Silver Background with Black San Serf Numbers
- Adhesive Backing

**LOCKER TAG**

model	w	d	h	wt	cu ft	list
LOCKER TAG	1.625	n/a	.625	2	1	\$ 217

**OPTIONS**

**Tag Qty (LOCKER TAG Only)**

- 1-100 Tags for 1 to 100 Lockers
- 101-200 Tags for 101 to 200 Lockers
- 201-300 Tags for 201 to 300 Lockers
- 301-400 Tags for 301 to 400 Lockers
- 401-500 Tags for 401 to 500 Lockers

HOW TO ORDER  
SPECIFY: Tag qty..

**MODEL NUMBER**

LOCKER TAG

**Tag Qty (LOCKER TAG Only)**

1-100

**DAISY CHAIN POWER COMPONENTS**

**Features:**

- UL Listed

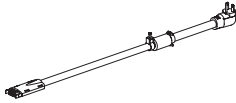
**POWER IN-FEED**



model	w	d	h	wt	cu ft	List
PWF2M	6'	N/A	N/A	14	0.3	\$ 112

- 6' Cord
- Hardwire

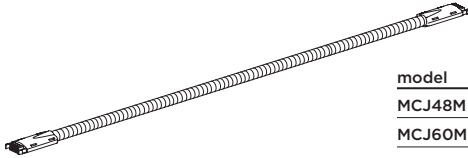
**POWER IN-FEED**



model	w	d	h	wt	cu ft	List
PWF20AMP	6'	N/A	N/A	14	0.3	\$ 214

- 20 Amp Plug
- Usage Requires 20 Amp Wall Outlet
- 90° Plug
- 6' Cord

**POWER JUMPERS**



model	w	d	h	wt	cu ft	List
MCJ48M	48	1.75	1	10	0.3	\$ 84
MCJ60M	60	1.75	1	12	0.4	\$ 93

- Power Daisy Chain Connector

**H BLOCK CONNECTOR**



model	w	d	h	wt	cu ft	List
HCB	1.75	0.5	0.0625	1	0.1	\$ 30

- Enables Power Connection to Start at any Point in the Chain of Lockers
- Allows Junction of up to Four Jumpers

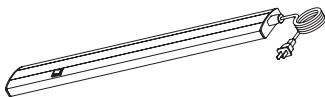
**TASK LIGHTING**

**Features:**

- Energy efficient LED 5200K
- Bulbs

- Frosted diffuser
- Silver frame
- 10' power cord

- Aluminum construction
- Screw mounting
- UL Listed



model	w	d	h	wt	cu ft	List
TL-18	12	2.94	1	2	0.1	\$ 261
TL-17	18	2.94	1	3	0.2	\$ 290
TL-14	24	2.94	1	4	0.2	\$ 462

- TL-18 - Not Daisy Chainable

**DAISY CHAIN CONNECTORS**



model	l	cu ft	List
DC-1	8	0.1	\$ 36
DC-2	12	0.1	\$ 36
DC-3	24	0.1	\$ 62
DC-4	48	0.2	\$ 62
DC-5	72	0.2	\$ 62

**HOW TO ORDER**

MODEL NUMBER

TL-19

**BACK PAINTED GLASS MARKER BOARD MAGNETS**

**Features:**

- Set of 5
- Rare earth magnets for use on Back Painted Glass Marker Boards

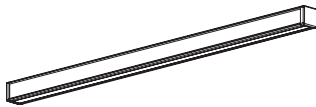


model	w	cu ft	List
MGT-1	1	0.1	\$ 128

**EQUIPMENT RAIL**

**Features:**

- Extruded aluminum
- 2 Thermoplastic friction-fit end caps
- Pre-drilled mounting holes
- Laminate inlay

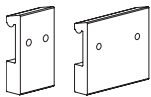


model	w	d	h	wt	cu ft	List
ER4	4	1	1	2	0.1	\$ 160
ER8	8	1	1	2	0.1	\$ 168
ER12	12	1	1	2	0.1	\$ 180
ER18	18	1	1	2	0.1	\$ 234
ER24	24	1	1	3	0.1	\$ 268
ER30	30	1	1	3	0.2	\$ 303
ER36	36	1	1	4	0.2	\$ 339
ER42	42	1	1	4	0.2	\$ 373
ER48	48	1	1	5	0.3	\$ 407
ER54	54	1	1	5	0.3	\$ 442
ER60	60	1	1	6	0.3	\$ 477

**EQUIPMENT RAIL ADAPTERS**

**Features:**

- Single and Double
- Extruded aluminum
- Attaches to equipment rail
- Allows customer created solution



model	w	d	h	wt	cu ft	List
ERAS	1.5	0.63	2.63	1	0.1	\$ 144
ERAD	3	0.63	2.63	1	0.1	\$ 176

**EQUIPMENT RAIL ADAPTER TOOL SET**

**Features:**

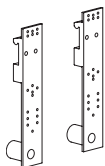
- 32 piece screwdriver and bit set for equipment rail and accessories

model	w	d	h	wt	cu ft	List
ERAT	12	9.25	2	3	0.4	\$ 154

**EQUIPMENT RAIL UNIVERSAL PAPER TOWEL MOUNT**

**Features:**

- Extruded aluminum
- Attaches to equipment rail
- Designed to hold a variety of paper towel dispensers



model	w	d	h	wt	cu ft	List
ERPT	3	0.63	2.63	1	0.1	\$ 361

HOW TO ORDER

MODEL NUMBER

MGT-1

**EQUIPMENT RAIL UNIVERSAL VACUUM BOTTLE SLIDE**

**Features:**

- Industry standard slide profile
- Attaches to equipment rail
- Anodized aluminum



model	w	d	h	wt	cu ft	List
ERVS	2	1.13	4	1	0.0	\$ 251

HOW TO ORDER

MODEL NUMBER

ERVS

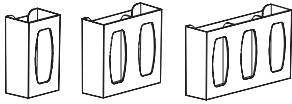
**EQUIPMENT RAIL UNIVERSAL GLOVE BOX**

**Features:**

- Single, Double and Triple

- ABS plastic
- Attaches to equipment rail

- Designed to hold one, two or three boxes of gloves



model	w	d	h	wt	cu ft	List
ERGB1	5.75	5	10	2	0.4	\$ 473
ERGB2	11.38	5	10	4	0.7	\$ 567
ERGB3	16.75	5	10	6	0.9	\$ 764

**EQUIPMENT RAIL UNIVERSAL SHARPS CONTAINER MOUNT**

**Features:**

- Powder coated aluminum plate

- Attaches to equipment rail
- Designed to hold large sharps containers



model	w	d	h	wt	cu ft	List
ERSC	5	0.75	5	1	0.1	\$ 325

**EQUIPMENT RAIL UNIVERSAL SOAP/FOAM DISPENSER MOUNT**

**Features:**

- Powder coated aluminum plate

- Attaches to equipment rail

- Designed to hold a variety of soap/foam dispensers



model	w	d	h	wt	cu ft	List
ERSD	5	0.75	7	1	0.1	\$ 361

**EQUIPMENT RAIL WELCH ALLYN BLOOD PRESSURE MOUNT (TYCOS 509)**

**Features:**

- Powder coated aluminum plate

- Attaches to equipment rail

- Designed to hold Welch Allyn Tycos Aneroid Blood Pressure Manometer



model	w	d	h	wt	cu ft	List
ERBP	5.63	0.88	2.63	1	0.1	\$ 325

**EQUIPMENT RAIL WELCH ALLYN OPHTHALMOSCOPE MOUNT (MODELS 767 / 777)**

**Features:**

- Powder coated aluminum plate

- Attaches to equipment rail

- Designed to hold Welch Allyn 767/777 Ophthalmoscope



model	w	d	h	wt	cu ft	List
EROS	6	0.75	2.63	1	0.1	\$ 325

**EQUIPMENT RAIL WELCH ALLYN SPECULUM CONTAINER MOUNT**

**Features:**

- Powder coated aluminum plate

- Attaches to equipment rail

- Designed to hold Welch Allyn Speculum Container



model	w	d	h	wt	cu ft	List
ERSP	2.75	0.75	4	1	0.1	\$ 325

HOW TO ORDER

MODEL NUMBER

ERGB1



**EQUIPMENT RAIL WELCH ALLYN SURE TEMP THERMOMETER MOUNT**

**Features:**

- Powder coated aluminum plate
- Attaches to equipment rail
- Designed to hold Welch Allyn Sure Temp Thermometer



model	w	d	h	wt	cu ft	List
ERTM	5	0.75	4.25	1	0.1	\$ 325

**EQUIPMENT RAIL U-SHAPED WIRE BASKET**

**Features:**

- Nylon finish on wire-form construction
- Attaches to equipment rail
- Designed to hold a variety of supplies



model	w	d	h	wt	cu ft	List
ERUB	6.75	5	7.28	2	0.3	\$ 436

**EQUIPMENT RAIL RECTANGULAR WIRE BASKET**

**Features:**

- Nylon finish on wire-form construction
- Attaches to equipment rail
- Designed to hold a variety of supplies

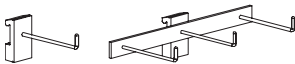


model	w	d	h	wt	cu ft	List
ERRB	10	7.25	4.25	3	0.4	\$ 377

**EQUIPMENT RAIL**

**Features:**

- Single Hook and Triple Hook
- Powder coated hook and plate
- Attaches to equipment rail
- Designed to hold a variety of items

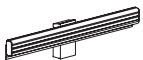


model	w	d	h	wt	cu ft	List
ERSH	1.5	5.5	2.63	1	0.1	\$ 245
ERTH	12	5.63	2.63	1	0.3	\$ 512

**EQUIPMENT RAIL PAPER DISPLAY RAIL**

**Features:**

- Powder coated aluminum plate
- Attaches to equipment rail
- Designed to hold a single sheet of paper for in-room and hallway notifications



model	w	d	h	wt	cu ft	List
ERPD	13	1.63	2.63	1	0.1	\$ 325

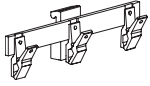
HOW TO ORDER

MODEL NUMBER

ERPD

**EQUIPMENT RAIL TRIPLE CLIP ORGANIZER**

- Features:**
- Powder coated plate with plastic/metal clips
  - Attaches to equipment rail
  - Designed to hold a variety of items



model	w	d	h	wt	cu ft	List
ERTC	9.75	2	2.88	1	0.1	\$ 473

**EQUIPMENT RAIL CORD BUNDLER**

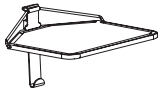
- Features:**
- Extruded aluminum
  - Attaches to equipment rail
  - Designed to hold a variety of items



model	w	d	h	wt	cu ft	List
ERCB	1.5	1.25	4	1	0.1	\$ 215

**EQUIPMENT RAIL FOLDING SHELF**

- Features:**
- Polypropylene shelf with spill groove
  - Powder coated aluminum plate
  - Attaches to equipment rail
  - Designed for single handed operation



model	w	d	h	wt	cu ft	List
ERFS	15.75	1.75	14.25	1	0.6	\$ 984

HOW TO ORDER

MODEL NUMBER

ERTC