

Range assembly instructions





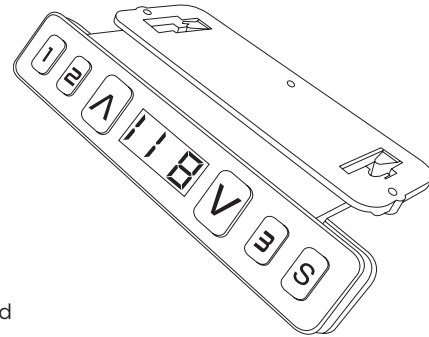
Table of contents

Digital handset operation	3
Height adjustable bench kit	4-5
Cable carrier	6
Ganging tray and ganging rail	7
Cable entry pole	8
24" and 30"d worksurfaces	9
Worksurfaces edge modesty	10
Rail mounted privacy screen	11
Stand alone height adjustable table	12-14

Digital handset operation

1. Panel

- 1 Button: Preset 1
- 2 Button: Preset 2
- 3 Button: Preset 3
- S Button: Select
- Display: Reads in $\frac{1}{2}$ " increments



2. Initialization procedure

The initialization procedure must be completed before the first running table after the table is installed or parts replaced.

- Press and hold \wedge & \vee simultaneously for more than 3 seconds, the legs begin to move down at half speed of normal operation.
- Keep pressing the \wedge & \vee , notice the legs move down to the lowest position and rebound 2-5 mm, then stop.
- Then release \wedge & \vee together, the initialization process is complete.

3. Move up & down

- Press and hold \wedge and the legs move up.
- Release \wedge and the legs stop.
- Press and hold \vee and the legs move down.
- Release \vee and the legs stop.

4. Set memory positions

- Press and hold \wedge & \vee , then release and run the legs to the position you want the table surface to be.
- Click button S, and then click button 1, 2, or 3 within next 3 seconds, this is how you save the positions.

5. Move to the memorized positions

- Press and hold the button 1, 2, or 3, and the legs will return to corresponding positions saved.

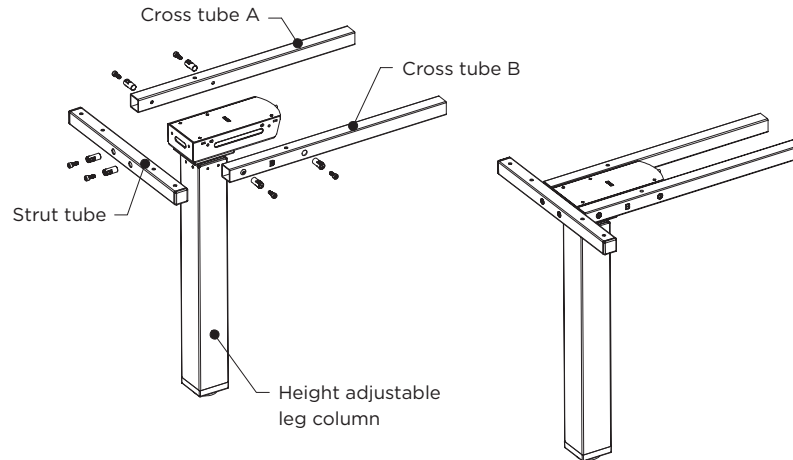
6. Verify the display switch data to table height

Check the switch display format in inches or centimeters and toggle to the unit you like and match to the actual measurement. In inches format, the minimum adjustable height is 0.5", while in centimeters format is 1 centimeter.

- Set the table at any height (recommended at the bottom position), measure the table actual height and write down the number in inches or in centimeters.
- Press and hold the button S, then press and hold \wedge , keep for about 3 seconds. The first number should start flashing on the screen.
- Release the buttons and click on either \wedge or \vee to change the first number. The first number is being increased or decreased to the first number you measured.
- Click button S and the second number should start flashing on the screen.
- Click \wedge or \vee to change the number, the second number is being increased or decreased to the second number you measured.
- Click button S, the third number should start flashing on the screen.
- Click \wedge or \vee to change the number, the third number is being increased or decreased to the third number you measured.
- Click button S, completed.

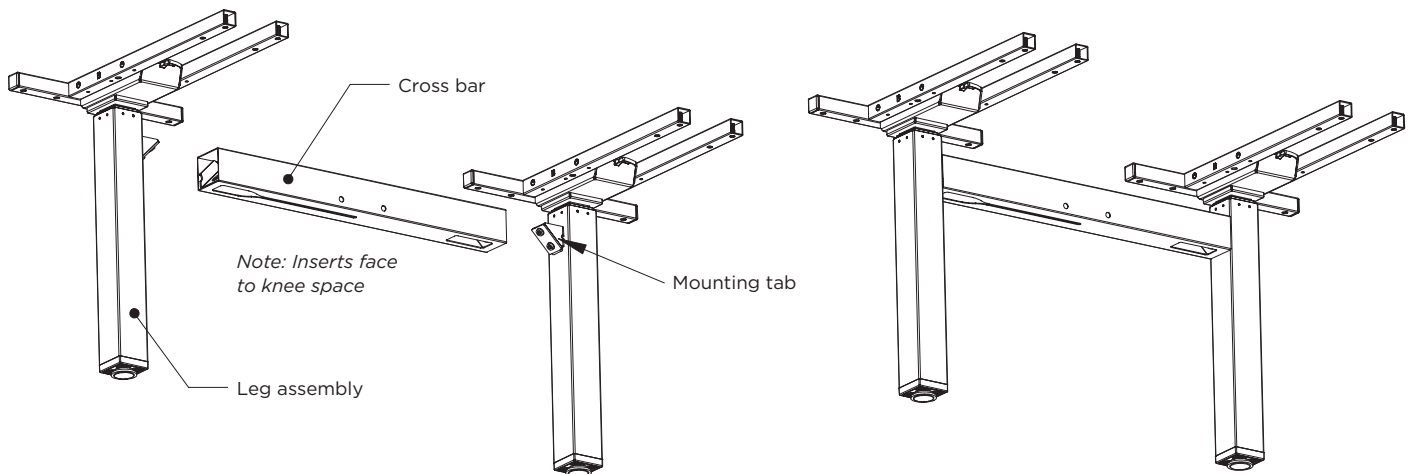
Height adjustable bench kit | leg assembly

1. Attach cross tubes A & B and the strut tube to the leg column by inserting the plastic screw guides into the mounting holes and securing with (2) M6 x 15 machine screws per tube.
2. Repeat step 1 to complete 4 leg assemblies.

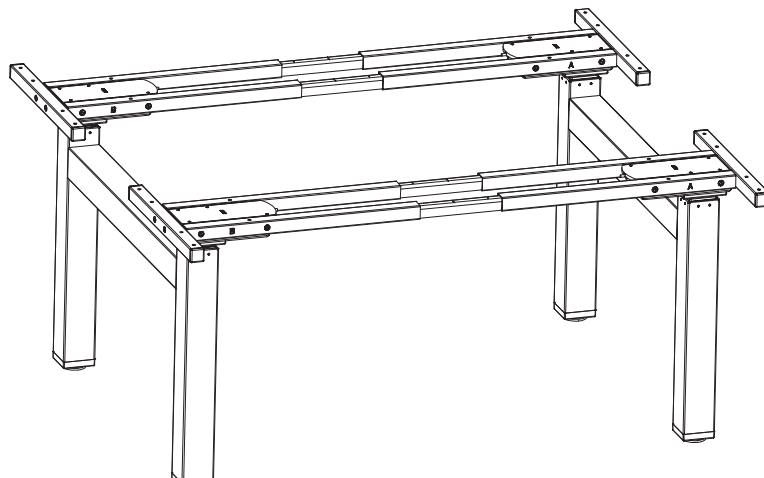
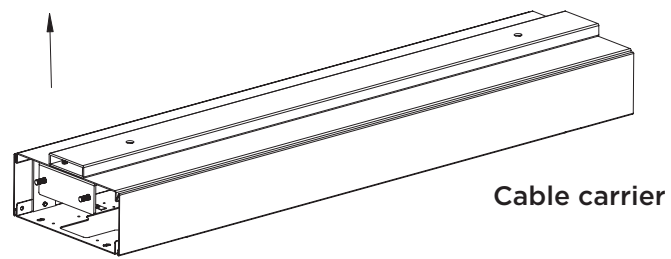
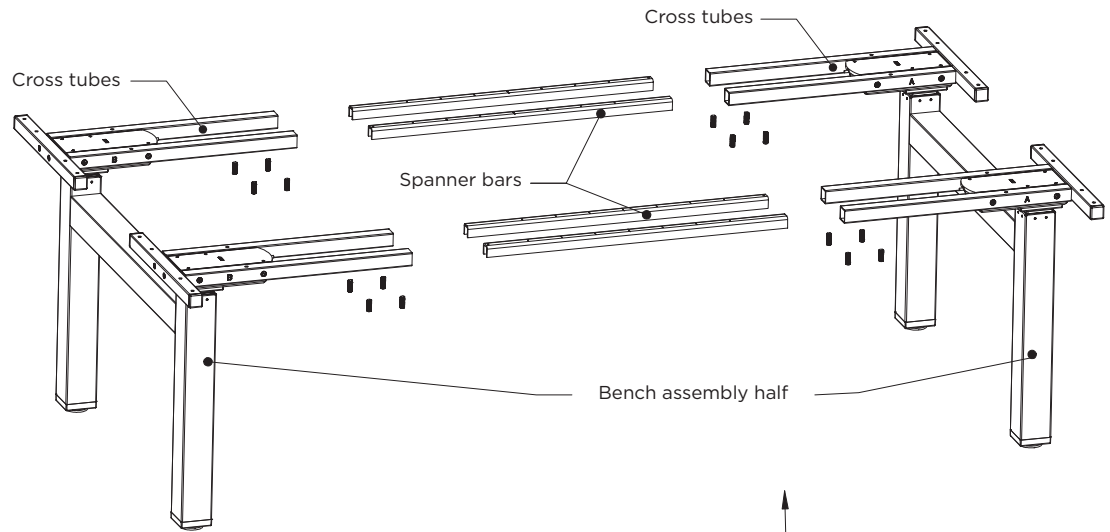


Height adjustable bench kit | half bench assembly

3. With 2 leg assemblies and 1 cross bar assemble one half of the bench. *Note: make sure the inserts of the cross bar face toward the knee space.*
4. Slide cross bar over mounting tab on leg assembly and attach using supplied bolts. 2 bolts per leg. *Note: make sure cross bar is seated square and flush with leg assembly. And bolts are tight. Loose connections will affect the stability of the bench.*
5. Repeat steps 3 & 4 to complete the other half of the bench assembly.



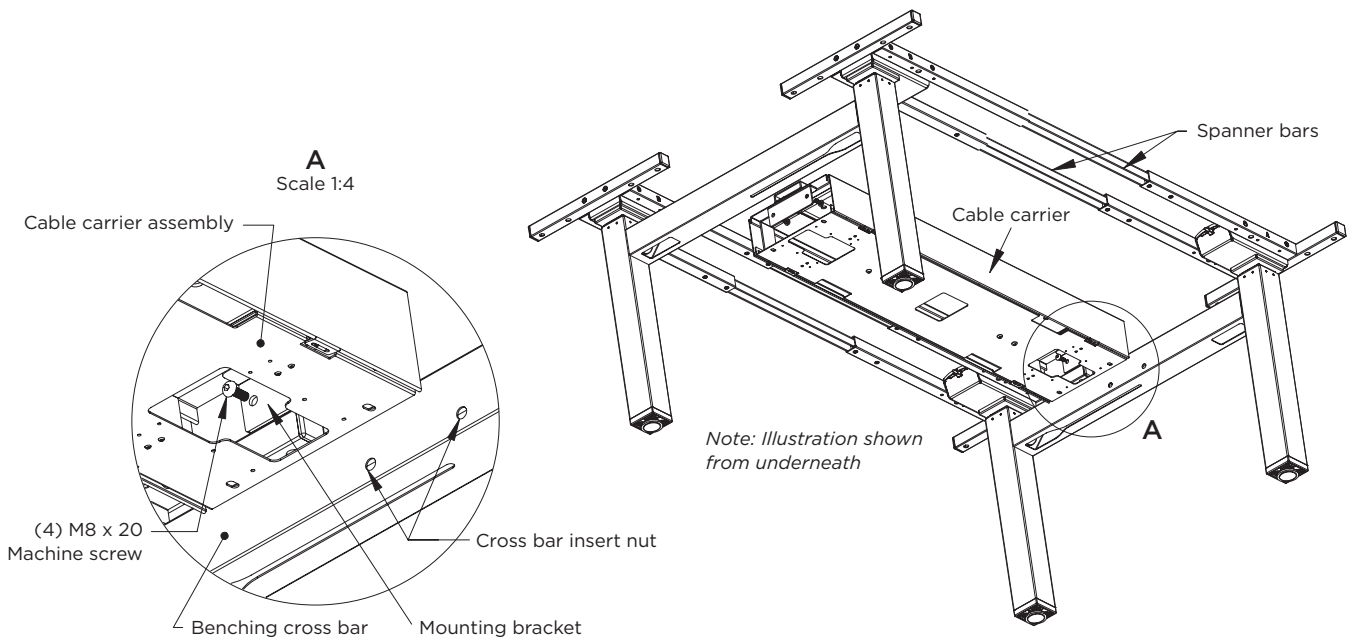
6. Insert spanner bars into cross tubes of one bench assembly half with notch facing downward and secure with M10 x 25 set screws. (See chart for spanner bar insertion depth)
7. Slide the other bench assembly half onto the spanner bars. If no cable carrier needs installed tighten remaining set screws and bench assembly is complete. If cable carrier is to be installed leave second bench assembly half loose for final adjustment and refer to cable carrier installation guide.



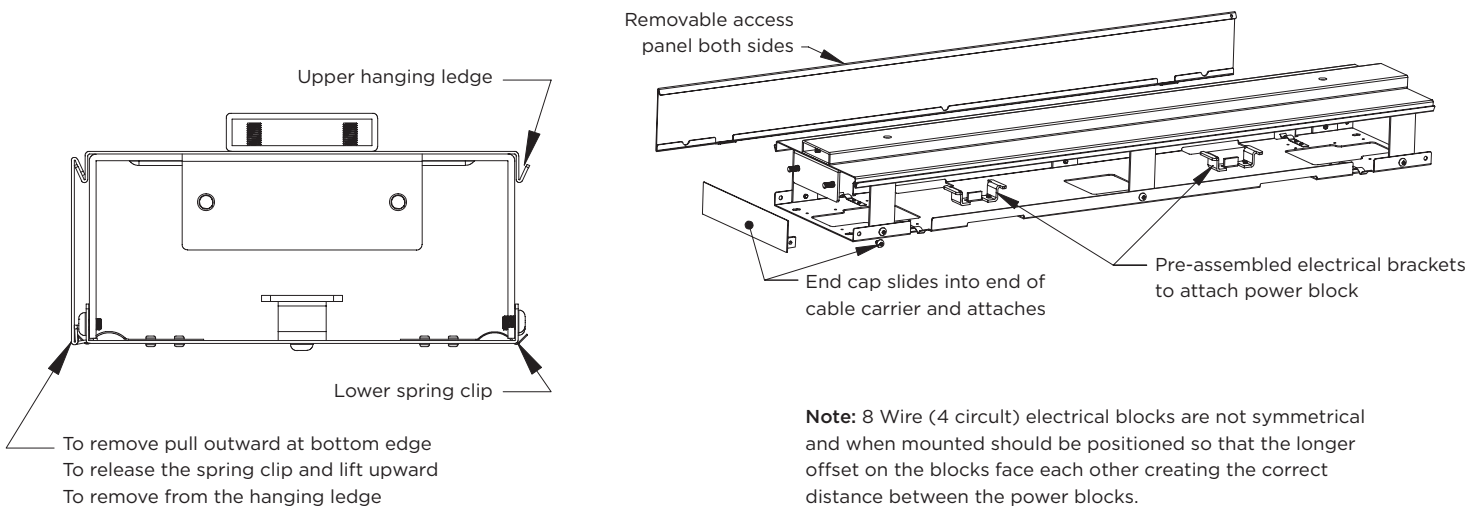
Bench sizes	Spanner bar depth
54"	12.75"
60"	9.75"
66"	6.75"
72"	3.75"

Cable carrier

1. Adjust the benching frame assembly to have a distance between cross bars slightly larger than the width of the cable carrier. Leave one end of the spanner bars loose for final adjustment.
2. Attach the cable carrier to the cross bars using (4) M8 x 20 bolts through the inside of the cable carrier mounting L-bracket and into the insert nuts in the side of the benching cross bars.
3. Once the cable carrier is secured to the benching cross bars tighten the remaining spanner bar set screws.

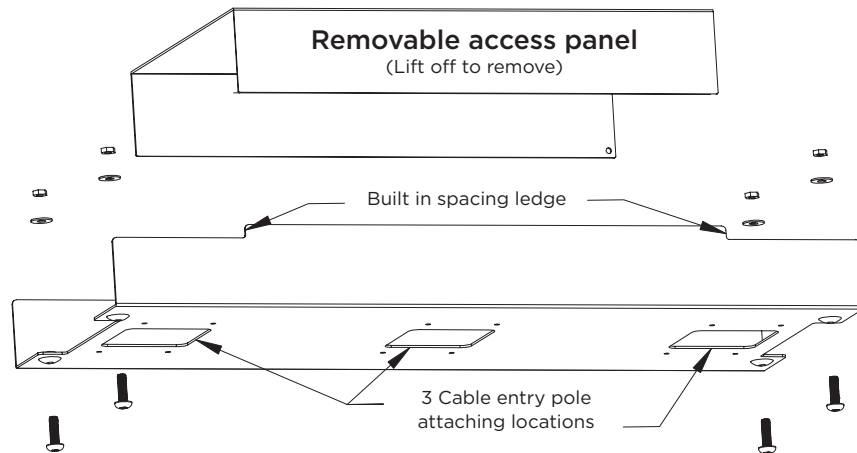


Extra features



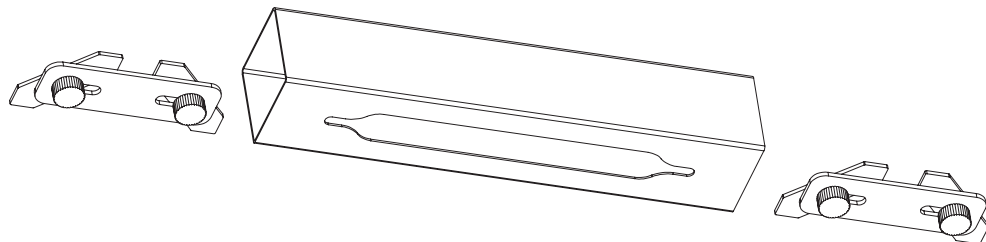
Ganging tray

1. Insert end of ganging tray into open end of cable carrier of bench until it stops against the built in spacing ledge.
2. Attach with (2) M4 x 20 bolts inserted from bottom side through mounting holes and secured with washer and nut from top side. *Note: do not over tighten bolts.*
3. Slide next bench into position inserting the other end of the ganging tray into the end of the cable carrier up to the spacing ledge and secure repeating step 2.



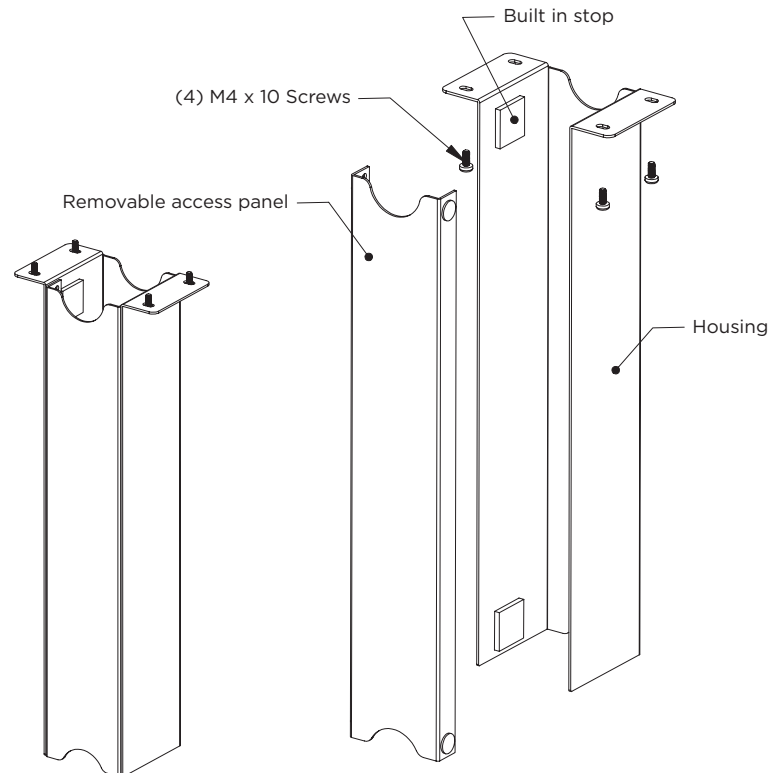
Ganging rail

1. Insert one end of each thumb screw bracket into slot in bottom of rail and turn thumb screw to tighten. Leave loose for adjustment until benches are in final position.
2. Insert opposite end of one of the thumb screw brackets in the slot in the bottom of the benching cross bar. Once rail is centered in and flush to side of cross bar tighten the thumb screws to secure rail to bench.
3. Move the next bench in place tight up against the ganging rail, positioning the rail centered and square to the benches cross bar and attach with the thumb screw bracket.



Cable entry pole

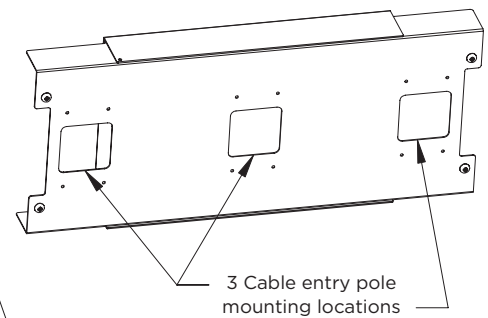
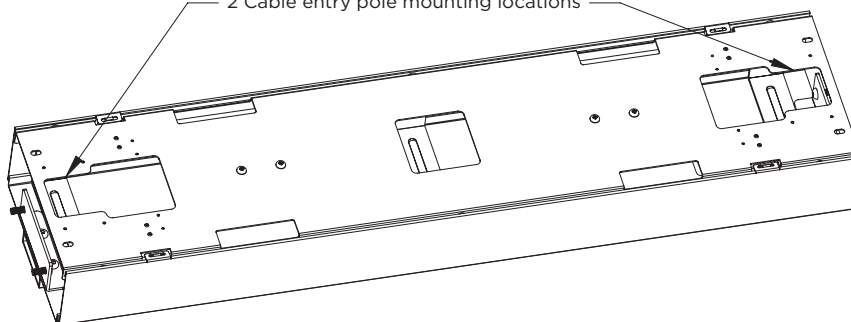
1. Cable entry pole can be attached in 3 locations on the ganging tray or on either end of the cable carrier to best fit as needed.
2. Align holes in housing with the holes in one of the pre-machined mounting location mentioned above using (4) M4 x 10 self tapping machine screws.
3. Removable access panel allows easy access to run cables. Remove by pulling outward. Install by pushing panel inward inside the housing until it bottoms out on the built in stops.



Ganging tray

Cable carrier

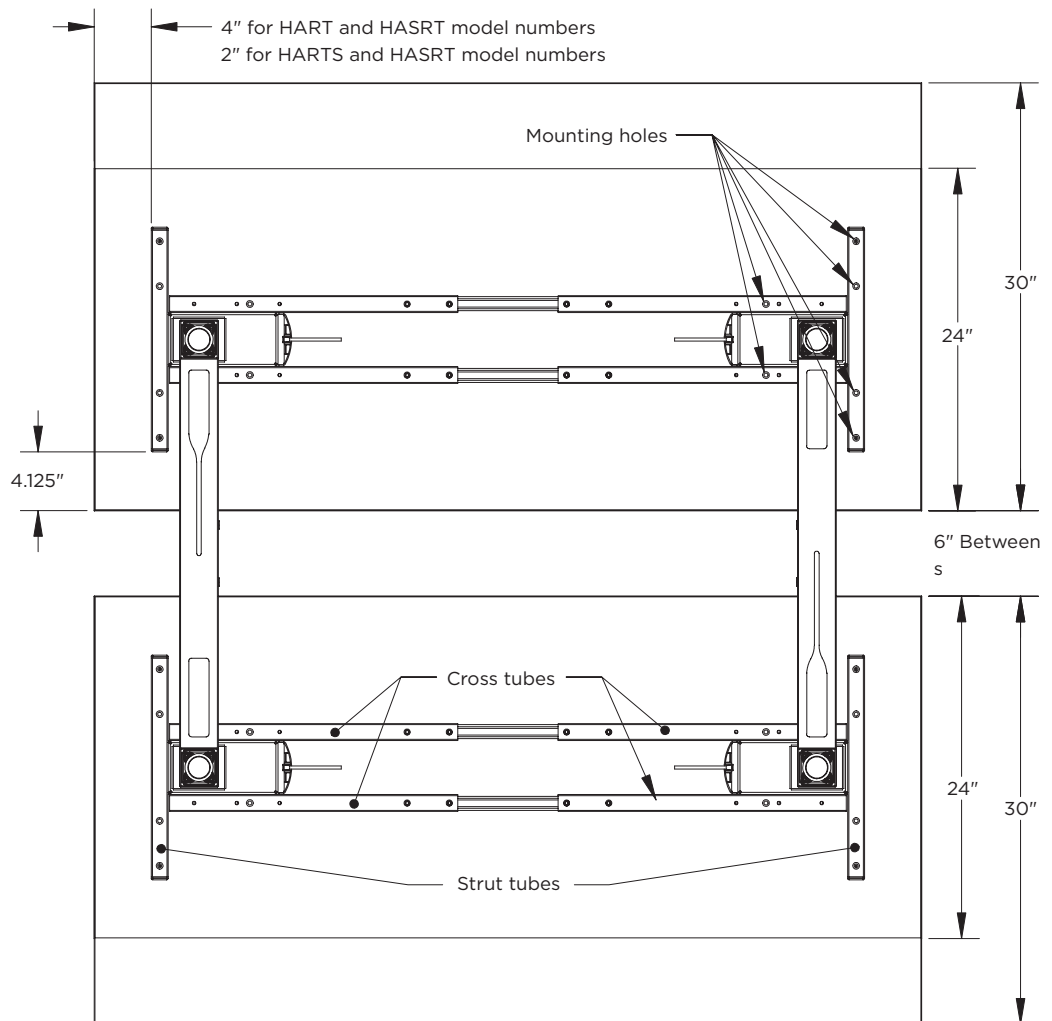
2 Cable entry pole mounting locations



Note: possible attachment locations

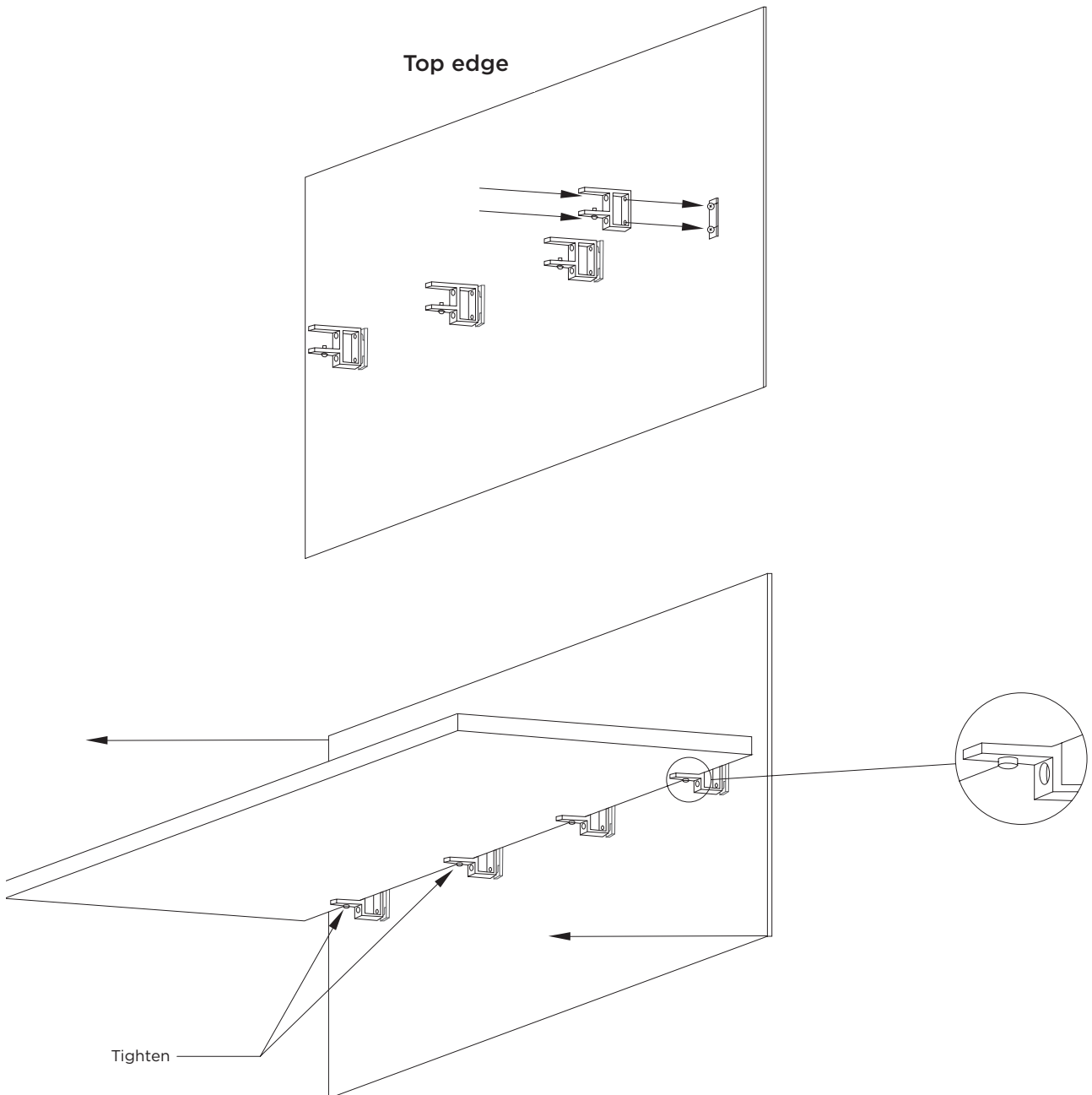
24" and 30"d worksurfaces

1. Place on assembled bench kit and align pre-drilled holes in bottom of worksurface with mounting holes in the strut tubes.
2. Verify offset distances to ensure proper location & alignment.
3. Attach using (12) #10 x 7/8" wood screws supplied with bench kit. (4) Screws in each strut tube and (1) screw in each cross tube.
4. Repeat above steps for remaining worksurfaces.



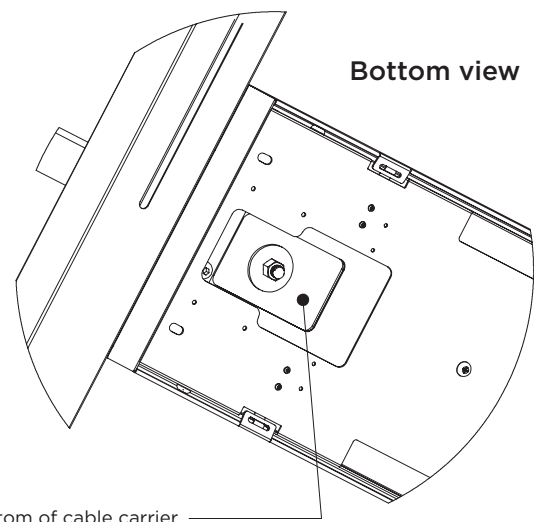
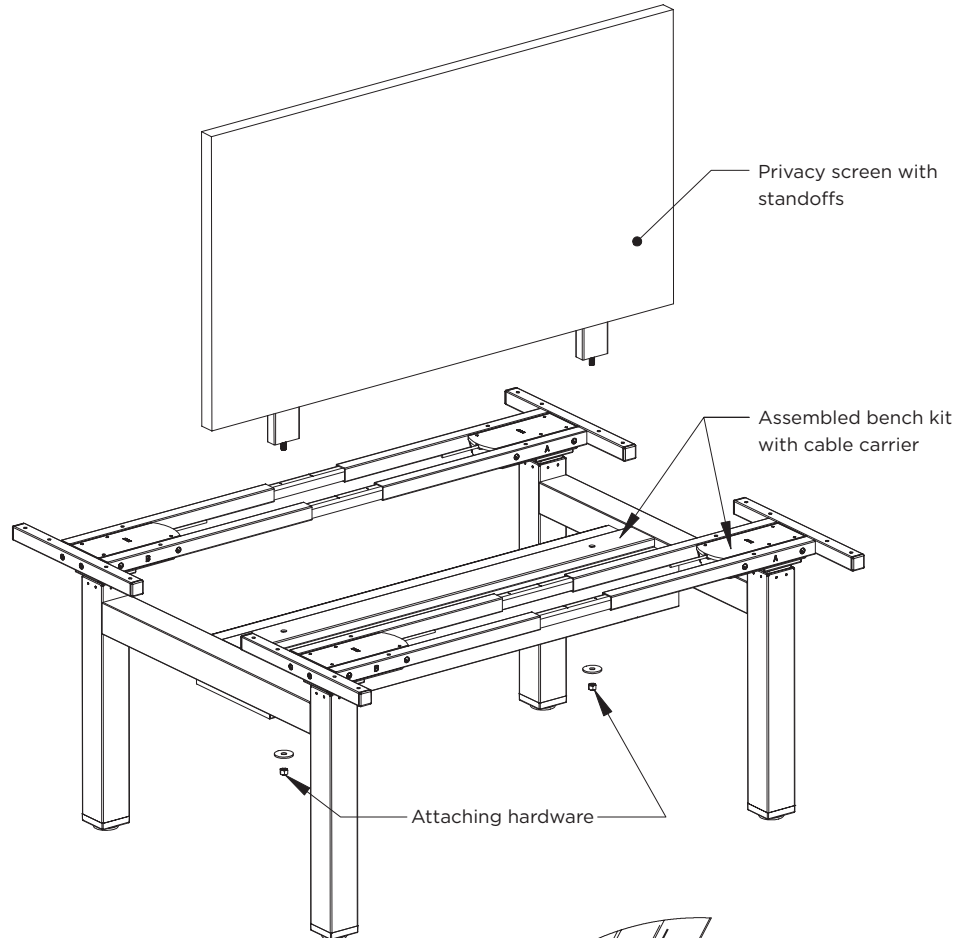
Worksurfaces edge modesty

1. Attach brackets (Item # WEBKT-1, WEBKT-2, WEBKT-3) to modesty panel.
2. Tighten screws.
3. Attach assembled modesty panel to approach edge of .
4. Tighten screws.



Rail mounted privacy screen

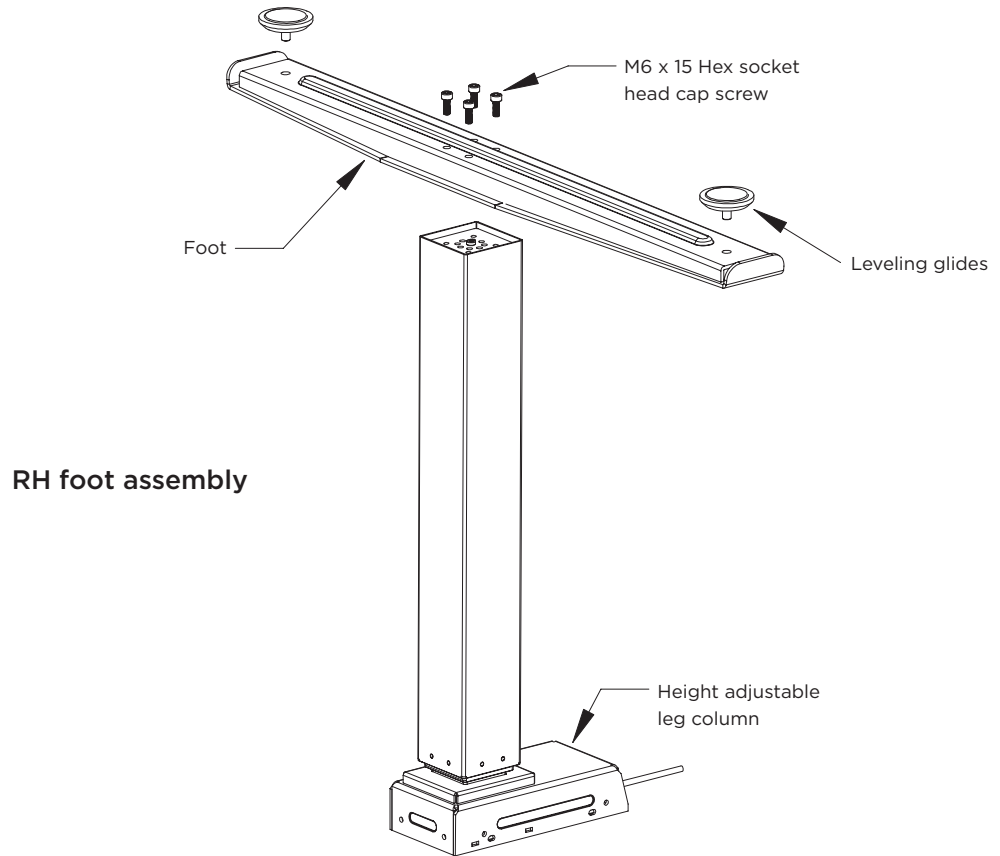
1. Remove the nut and washer from each standoff.
2. Place the screen onto the cable carrier aligning the bolts in each standoff with the holes in the cable carrier top rail.
3. From the bottom side of the cable carrier through the access hole replace the washer and nut onto each standoff bolt and tighten.



Access hole in bottom of cable carrier

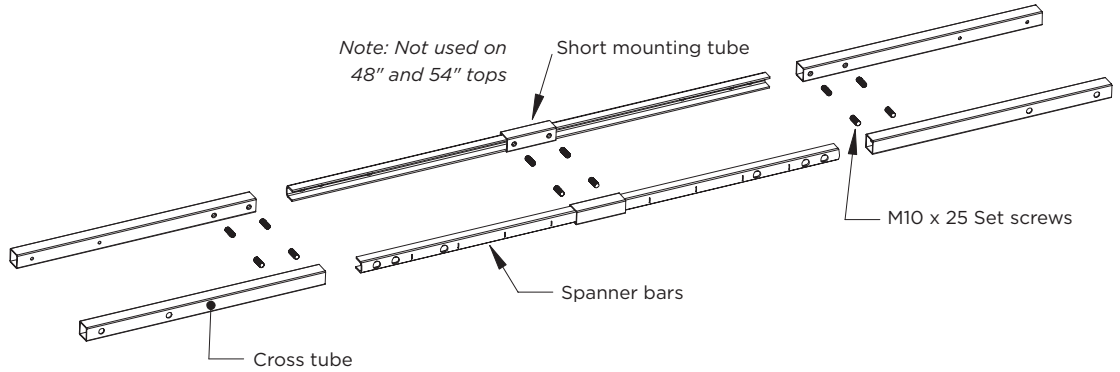
Stand alone height adjustable table

1. Assemble the foot to the leg column with 4 M6 x 15 Hex socket cap screws.
2. Install the leveling glides into the bottom of the foot.
3. Repeat above steps to create a "LH" and a "RH" leg assembly.

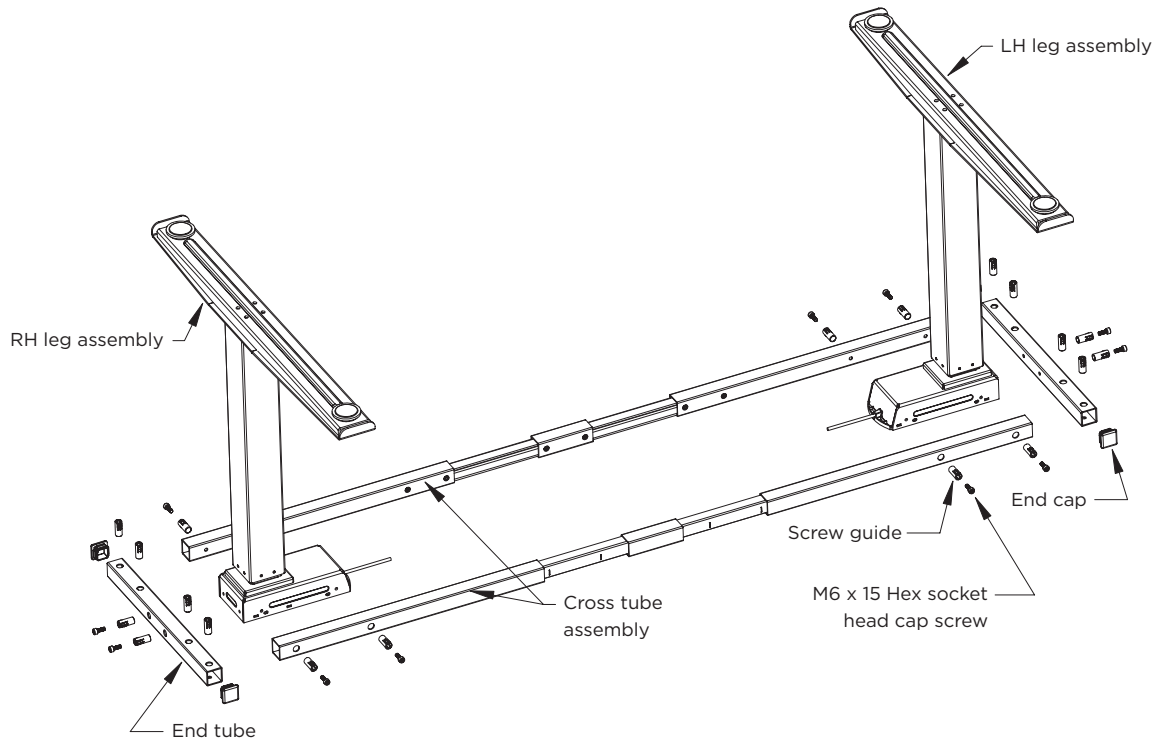


- Slide the short mounting tubes on to the spanner bars, positioning them in the center of the spanner bars and securing by tightening the M10 X 25 set screws.
- Referencing the insertion chart, slide a cross tube on each end of the spanner bars in the orientation as shown in the image and secure cross tubes by tightening the M10 X 25 set screws.

Top sizes	Spanner bar insertion depth
48"	20.125"
54"	20.125"
60"	16"
66"	15.5"
72"	11.75"



- Insert screw guides into end and cross tubes.
- Attach cross tube assemblies and end tubes to leg assembly motor housings as shown using (2) M6 X 15 cap screws per tube.
- Insert end caps into each end of both end tubes.



9. Position top upside down on a protective surface.
10. Locate frame centered on top, side to side, and off the back edge according to dimension "x" in the chart.
11. Attach frame to top with (4) wood screws in each end tube.
12. Locate 1 U-clamp on each cross bar approximately 14" from end of frame and attach with (2) wood screws per clamp.
13. For 60", 66", and 72" tops, place 1 U-clamp centered on each short mounting tube and attach with (2) wood crews per clamp.

Top sizes	Spanner bar insertion depth
24"	2.125"
30"	5.125"

