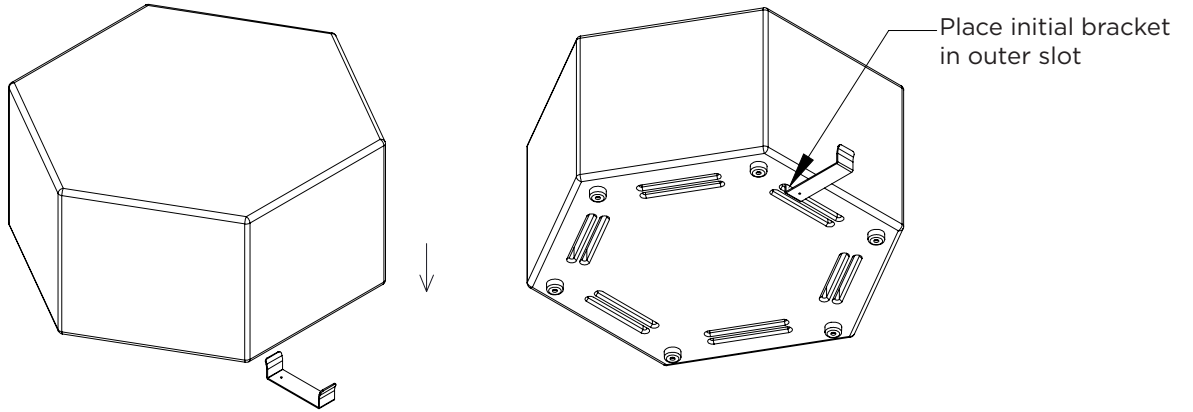


Hex ganging assembly

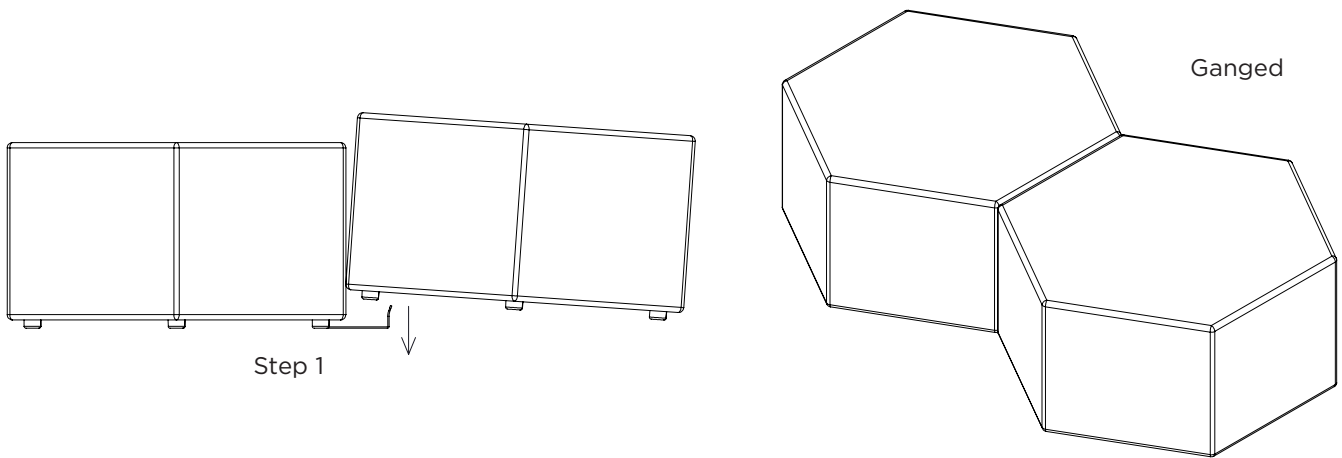


Ganging: single unit



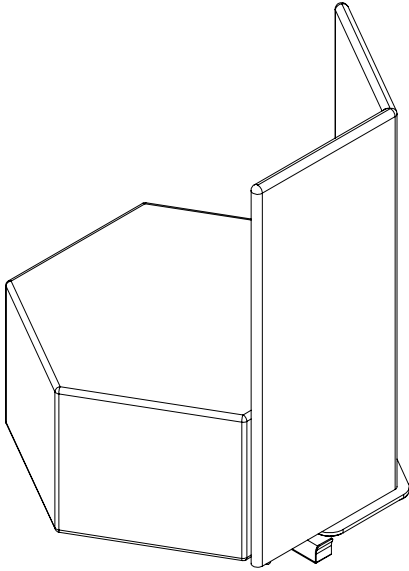
Ganging: lounge to lounge

1. Pull out bracket to its extent
2. With the second lounge, line up properly, lift up end to be ganged and when in position, push down firmly until it sits on floor.

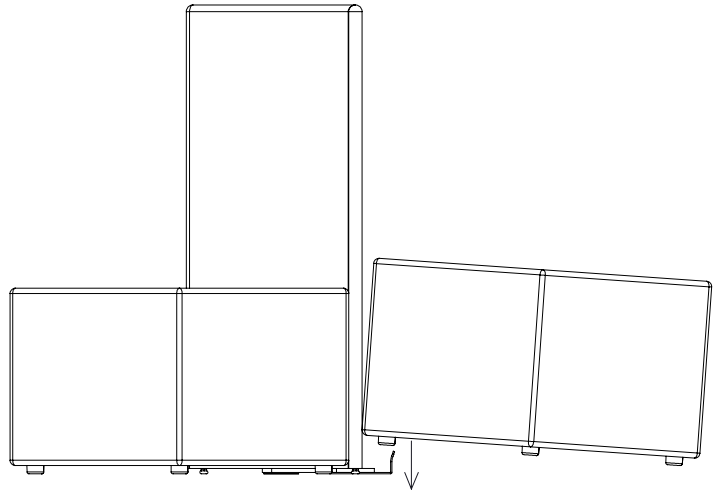


Ganging: lounge, wall, lounge

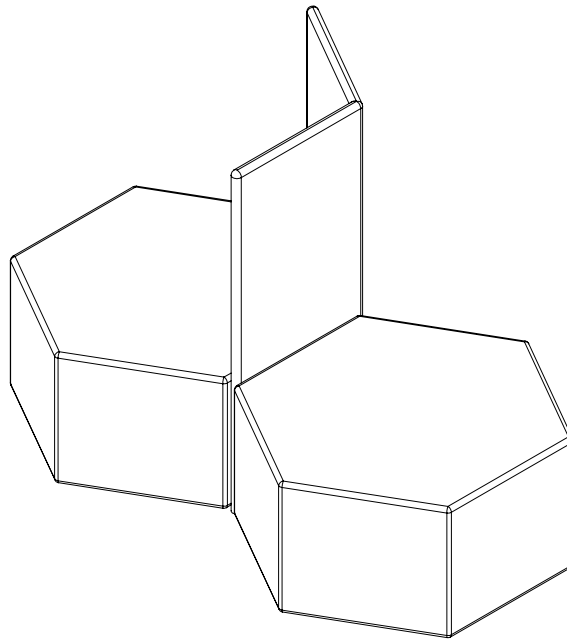
1. Place wall into position before ganging lounge, then pull the bracket to its extent
2. With the second lounge, line it up properly, lift up end to be ganged and when in position, push down firmly until it sits on the floor.



Step 1



Step 2



Ganged