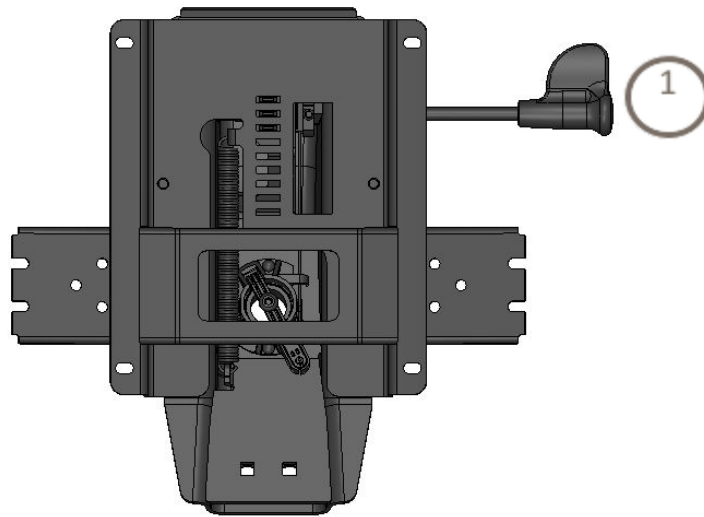


InSync mechanism operating instructions



Top view (as seated)

- ① **Seat height adjustment:**
Lift tab up to adjust seat height
- ① **Seat Slider and Back Angle Adjustment:**
Pull rod out to allow movement of back angle and seat position, push rod back in to lock