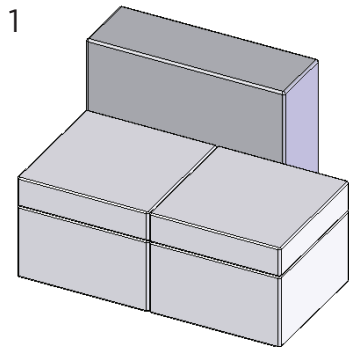


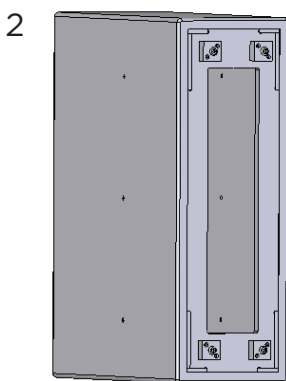
TANGENT INSTALLATION GUIDE

LOEWENSTEIN
an OFS Brands™ company

TANGENT INSTALLATION INSTRUCTIONS FOR UNITS WITHOUT BUTTONS



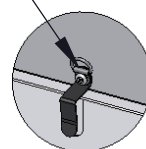
Determine setup.



Remove seat lids and determine the mounting holes required for the setup. Turn wall on it's side to expose the bottom of the unit. Locate mounting holes by pushing ice pick or similar sharp object through required holes on inside of unit. Cut small cross through face of fabric and foam.

- 3 Install ganging brackets
*If cushion tie down option was specified with optional back cushion, mount D-ring 1495165 to line up with snap hook on cushion with ganging clip/screw. D-rings are packaged with cushions.

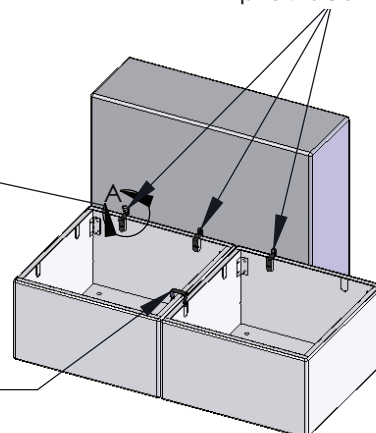
Shown with optional cushion tie-down D-ring.



Detail A
Scale 1 : 8

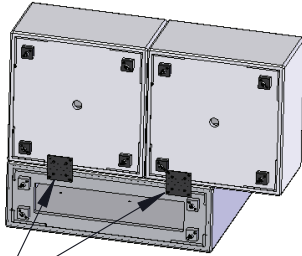
Ganging Clip
1494945

Ganging clip back
1494946
Install with screws
provided # #



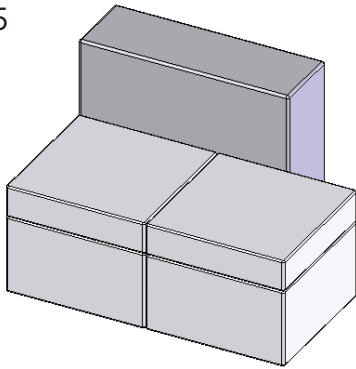
TANGENT INSTALLATION INSTRUCTIONS FOR UNITS WITHOUT BUTTONS

4



Lay unit on it's back and install clamp plate kits CP-1. Required for layouts with benches on one side of walls, not required when layout includes benches on both sides of walls. Clamp plate kit is purchased separately.

5



Set unit upright and re-install seat lids.

LOEWENSTEIN

an OFS Brands™ company

loewensteininc.com

800.327.2548