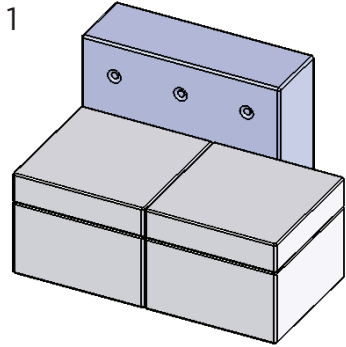


TANGENT INSTALLATION GUIDE

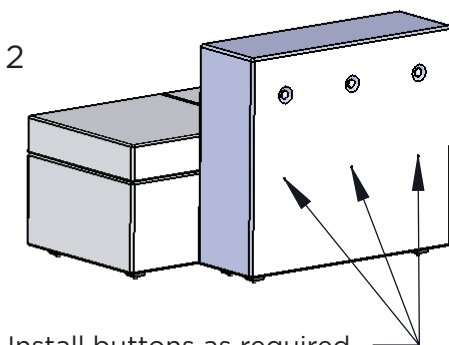
---

LOEWENSTEIN  
an OFS Brands™ company

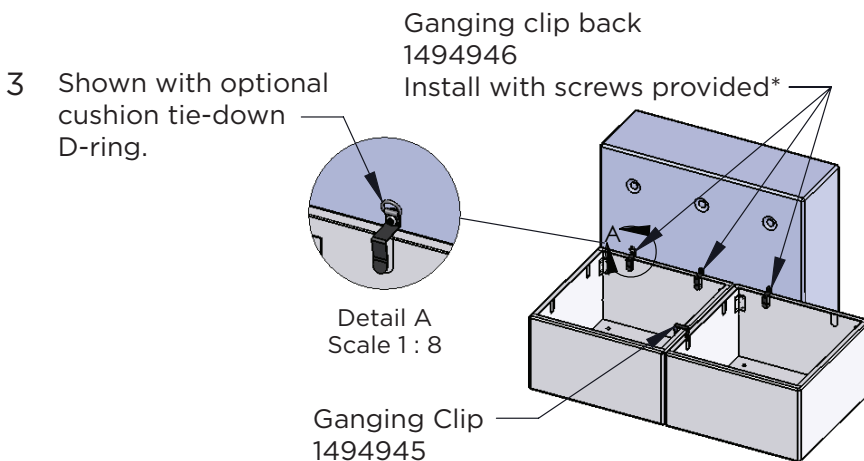
# TANGENT INSTALLATION INSTRUCTIONS FOR UNITS WITH BUTTONS



Determine setup.



Install buttons as required.  
Additional buttons are bagged  
and stapled inside wall unit.

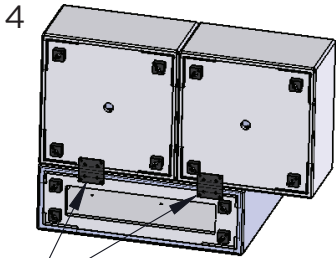


Remove seat lids and install ganging  
brackets.

\*If cushion tie down option was  
specified with optional back cushion,  
mount D-ring 1495165 to line up with  
snap hook on cushion with ganging  
clip/screw. D-rings are packaged  
with cushions.

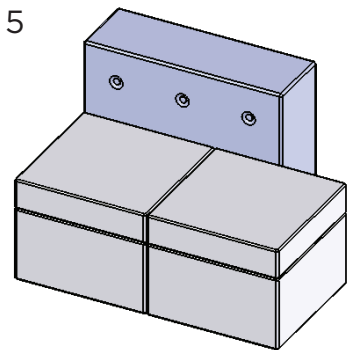
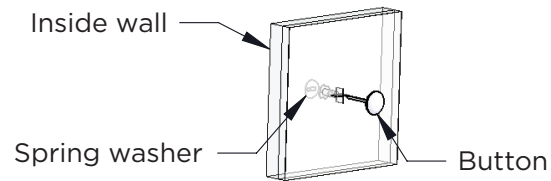
# TANGENT INSTALLATION INSTRUCTIONS FOR UNITS WITH BUTTONS

---



Lay unit on it's back and install clamp plate kits CP-1. Required for layouts with benches on one side of walls, not required when layout includes benches on both sides of walls. Clamp plate kit is purchased separately.

1. From outside wall structure, push button through fabric, foam and wall structure.
2. From inside wall structure, push spring washer over button prong until button and spring washer are tight against wall structure.



Set unit upright and re-install seat lids.

---

# LOEWENSTEIN

an OFS Brands™ company

[loewensteininc.com](http://loewensteininc.com)

800.327.2548