

## LeanTo Tablet Assembly

---



### Important safety instructions

When using an electrical furnishing, basic precautions should always be followed, including the following:

This furnishing is made for commercial use only.

Read all instructions before using this furnishing:

## DANGER

To reduce the risk of electrical shock:

1. Always unplug this furnishing from the electrical outlet before cleaning.

## WARNING

To reduce the risk of burns, fire, electric shock, or injury to persons:

1. Unplug from outlet before putting on or taking off parts.
2. Close supervision is necessary when this furnishing is used by, or near children, invalids, or disabled persons.
3. Use the furnishing only for its intended use as described in these instructions.  
Do not use attachments not recommended by the manufacturer.
4. Never operate this furnishing if it has a damaged cord or plug, if it is not working properly, if it has been dropped or damaged, or dropped in water. Return the furnishing to a service center for examination and repair.
5. Keep the cord away from heated surfaces.
6. Do not use outdoors.
7. Use only SJT 18 AWG cord.
8. Risk of injury. Maximum load 75 pounds.

To reduce the risk of electric shock, this furnishing has a polarized plug (one blade is wider than the other). This plug will fit in a polarized outlet only one way. If the plug does not fit fully in the outlet, reverse the plug. If it still does not fit, contact a qualified electrician to install the proper outlet. Do not change the plug in any way.

**Note** – servicing is only to be performed by an authorized representative.

### Servicing of double-insulated products

In a double-insulated product, two systems of insulation are provided instead of grounding. No grounding means is provided on a double-insulated product, nor is a means for grounding to be added to the product. Servicing a double-insulated product requires extreme care and knowledge of the system, and is to be done only by qualified service personnel. Replacement parts for a double-insulated product must be identical to the parts they replace. A double-insulated product is marked with the words “DOUBLE INSULATION” OR “DOUBLE INSULATED”. The symbol (square within a square) is also able to be marked on the product.

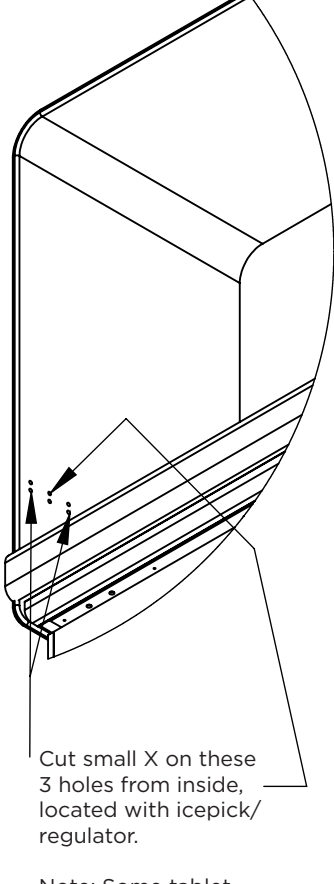
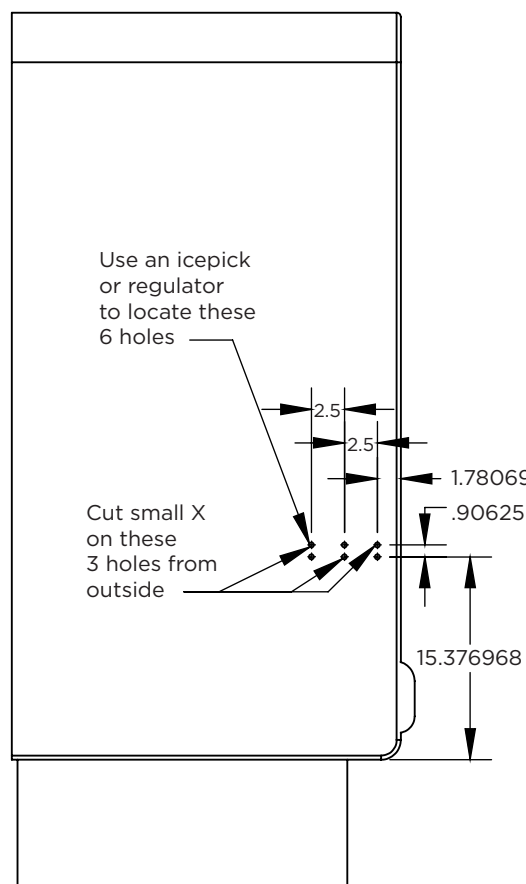
### Save these instructions

**LeanTo tablet bracket install**

1. Before cutting any holes, check tablet and specific instructions for bracket locations needed.

Outside View

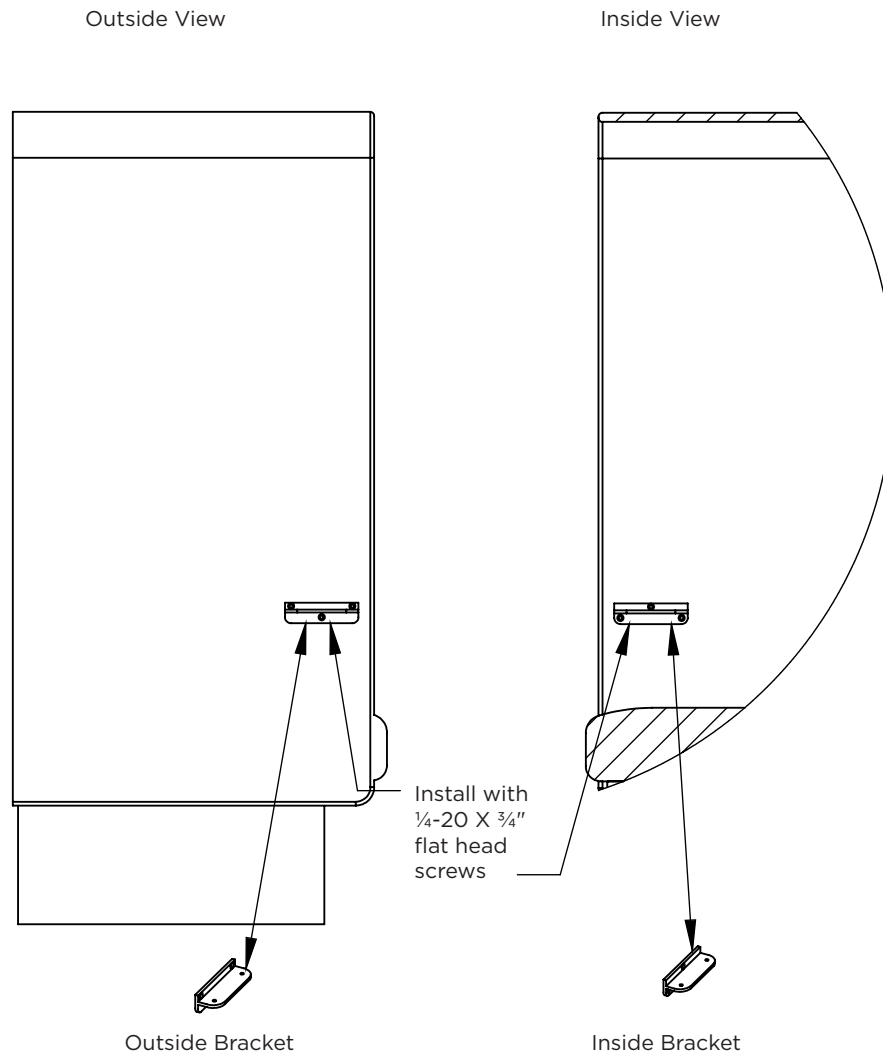
Inside View



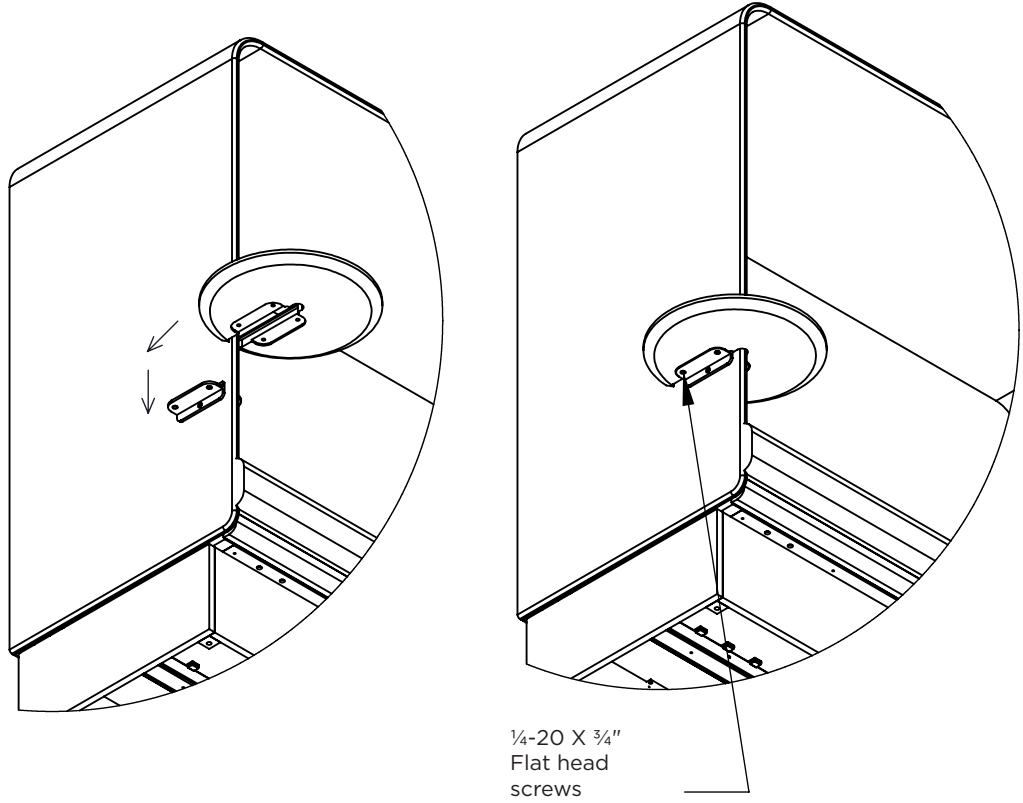
Note: Some tablet configurations do not require the inside holes to be cut out.

## LeanTo tablet bracket install - continued

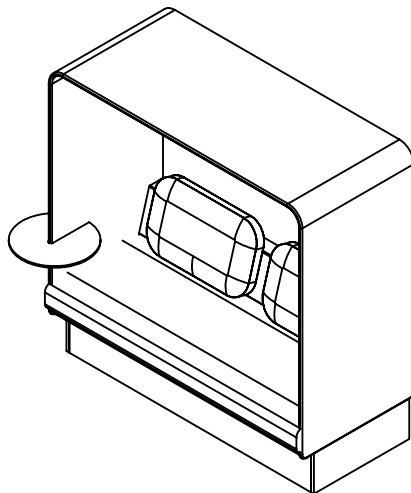
1. Before cutting any holes, check tablet and specific instructions for bracket locations needed.



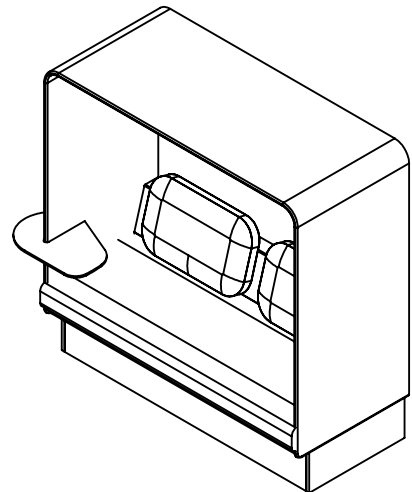
LeanTo tablet bracket install - continued



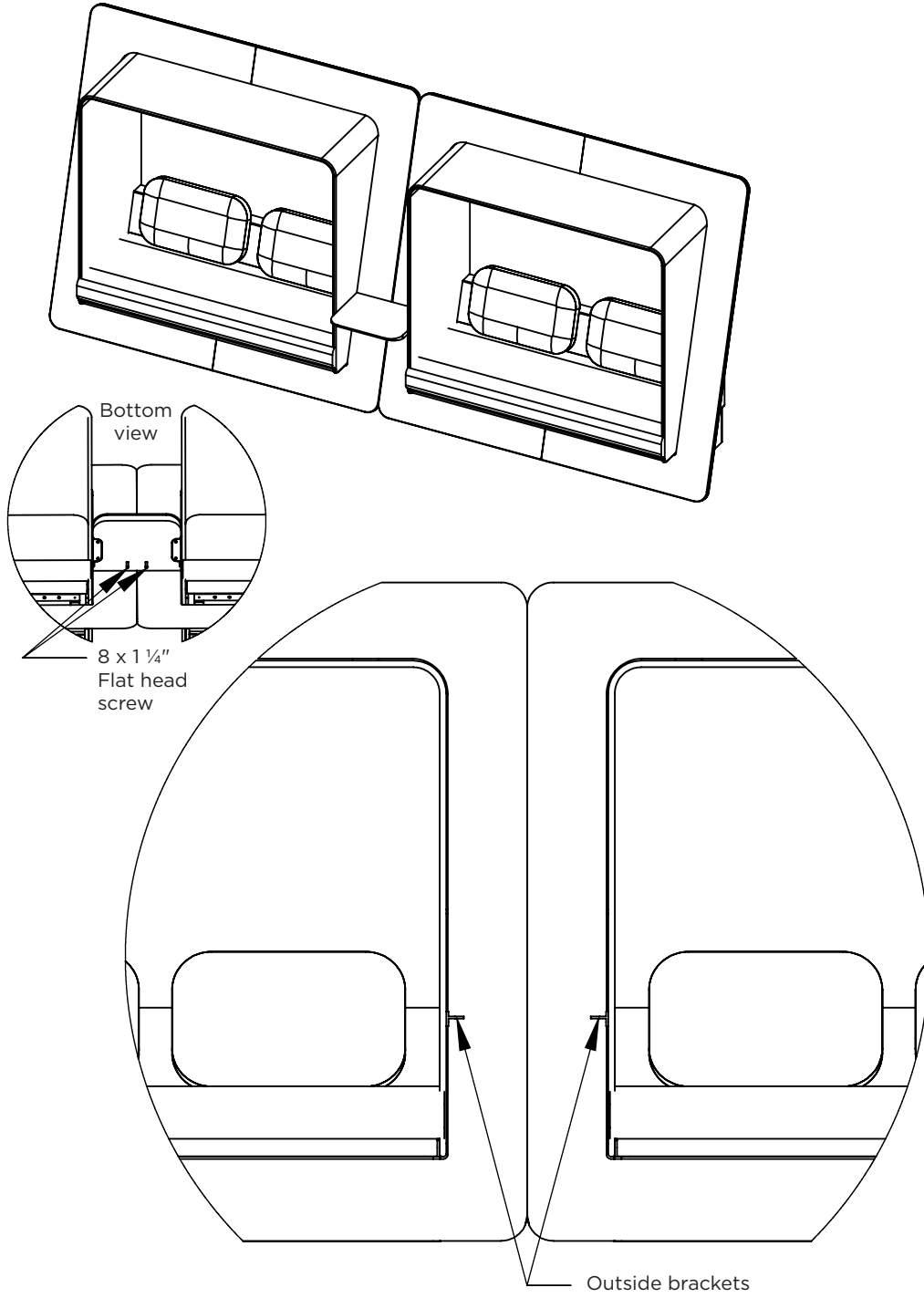
89TR Shown



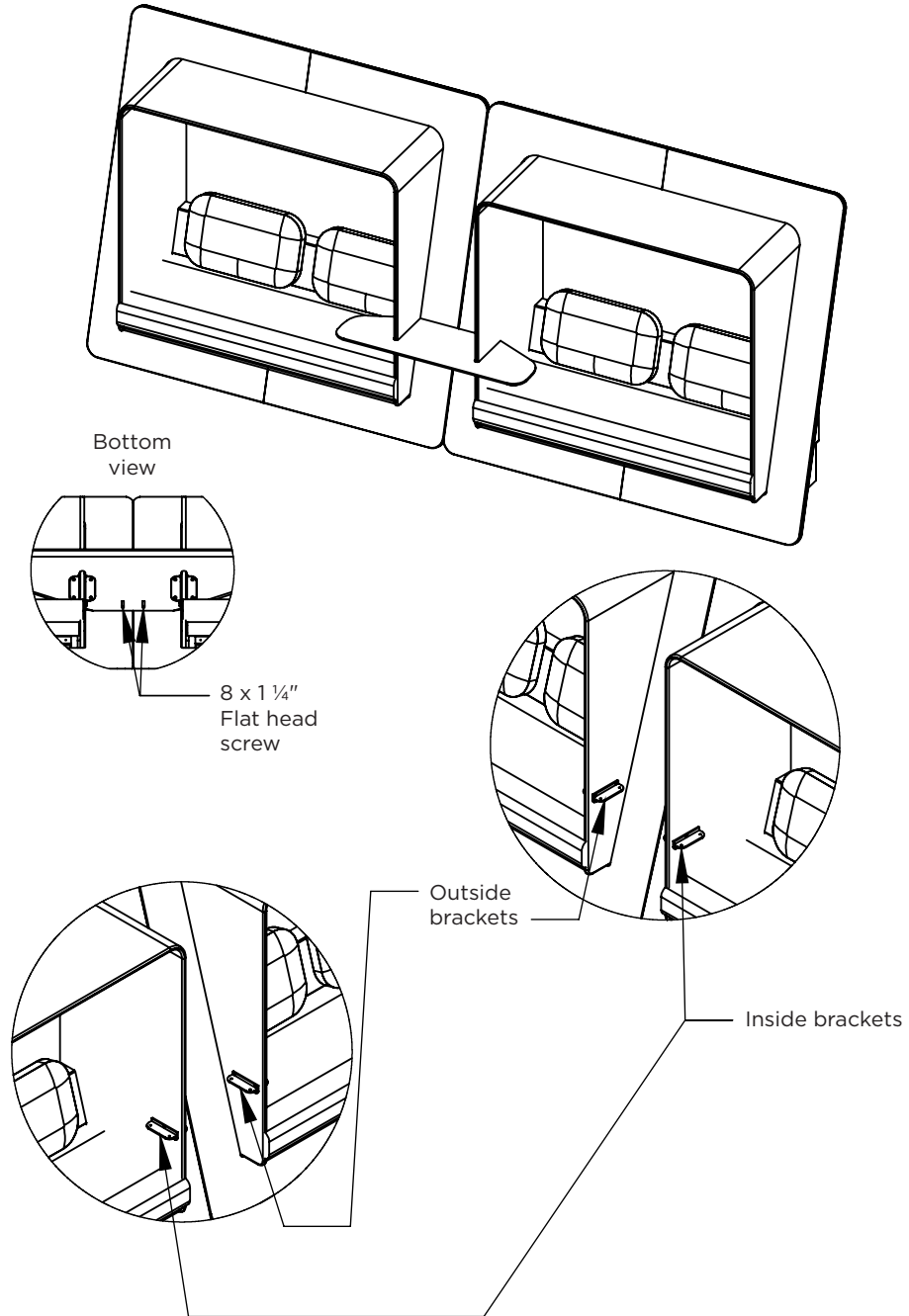
89T2 UR  
Option Shown



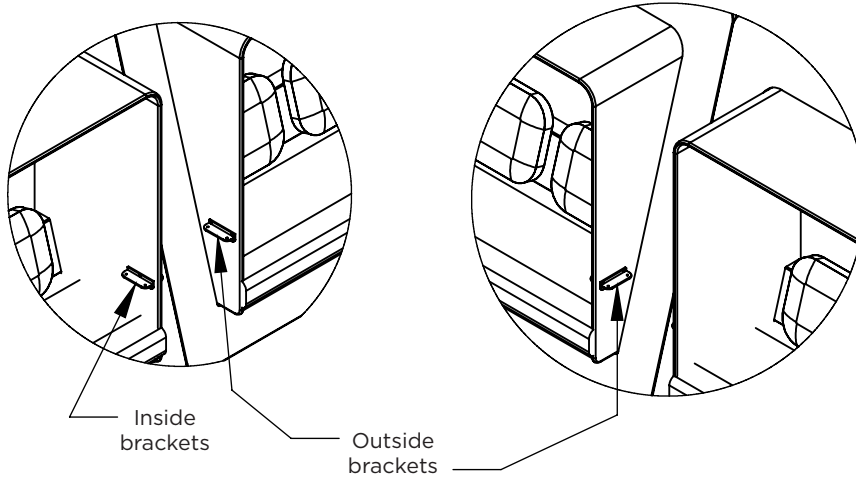
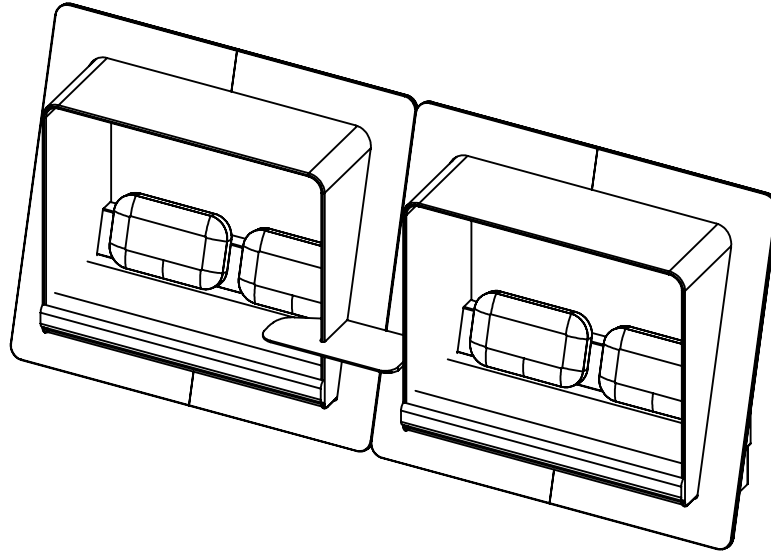
89GS Bracket location



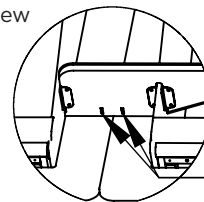
89GT2 Bracket location



**89GT1 Bracket location**  
UQ position



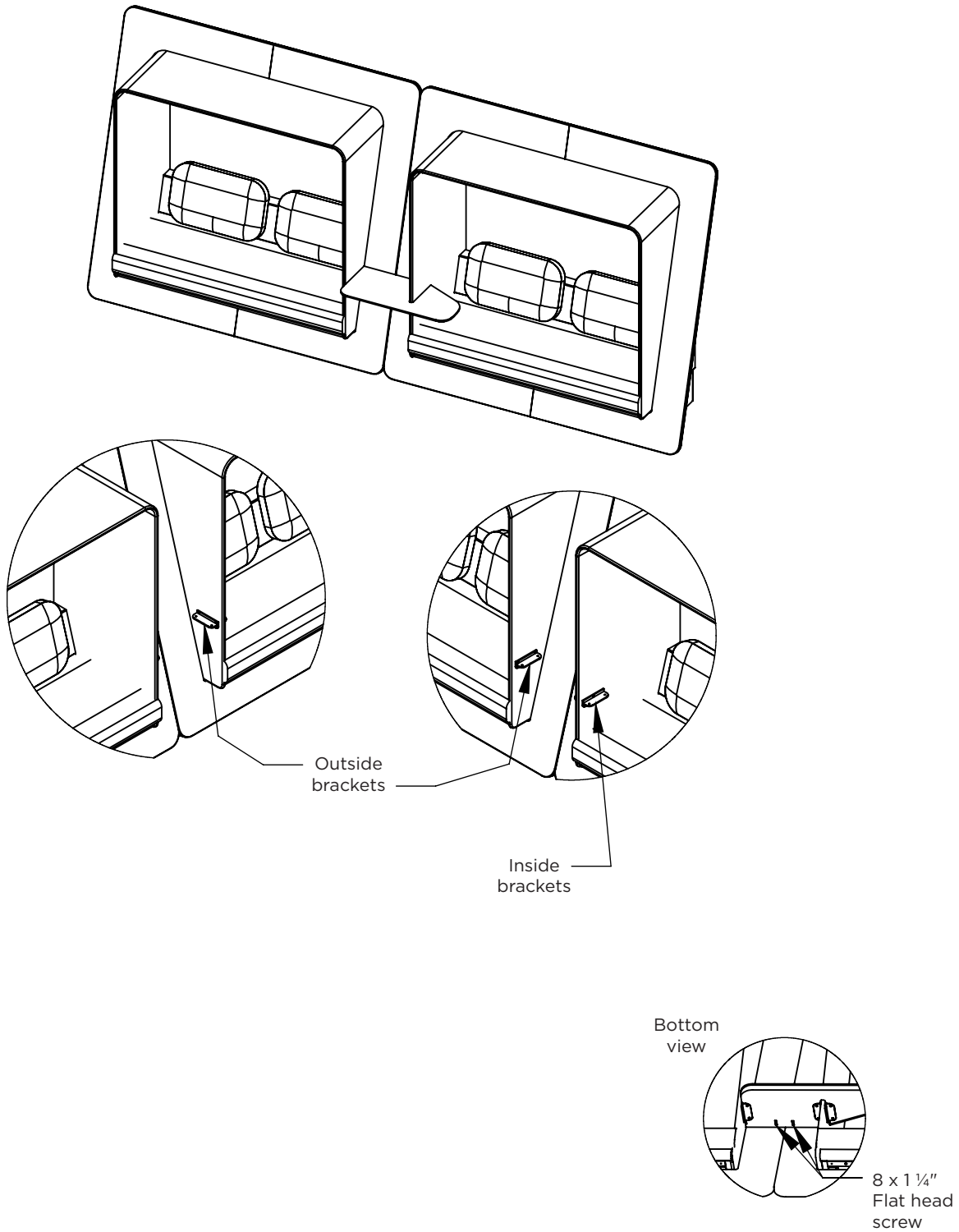
Bottom view



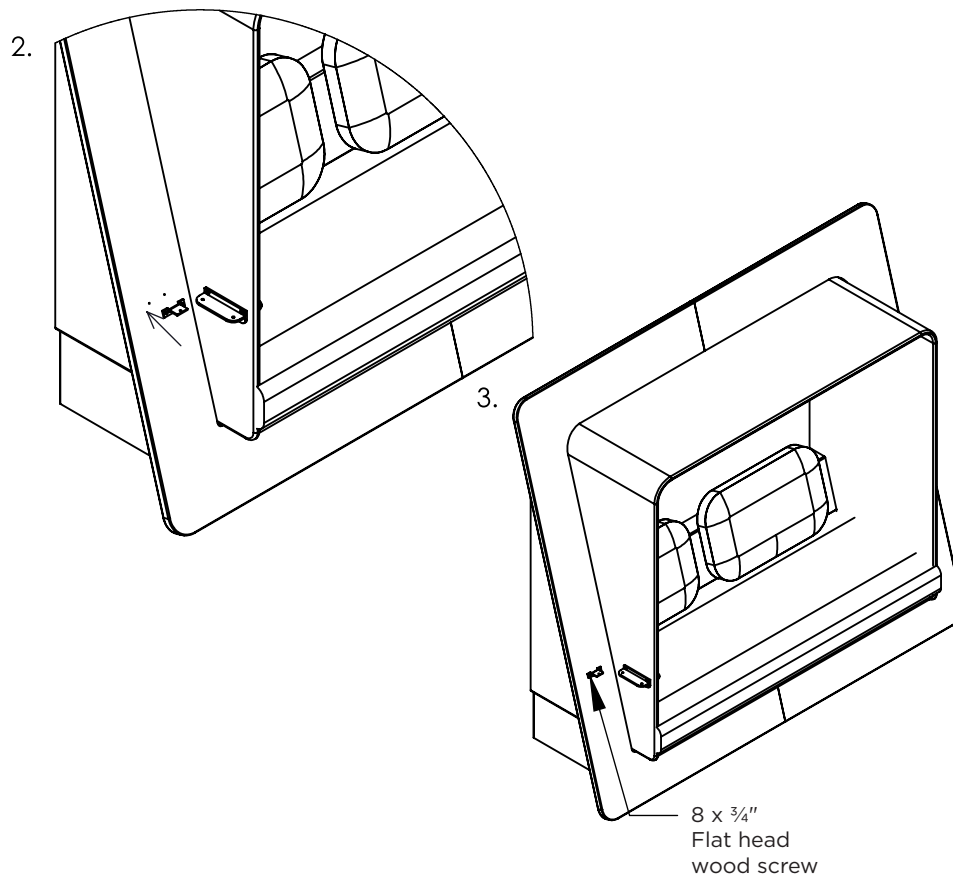
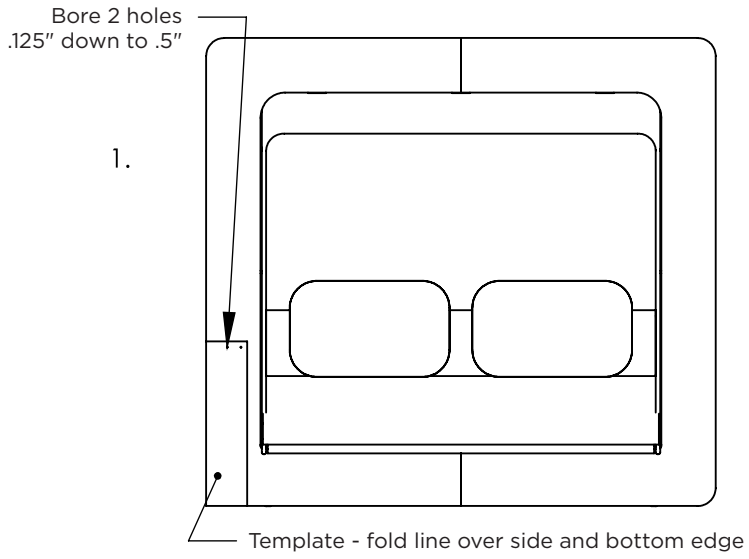
8 x 1 1/4"  
Flat head  
screw



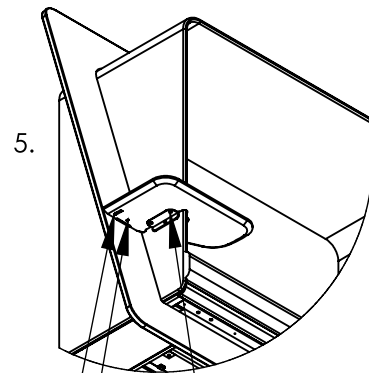
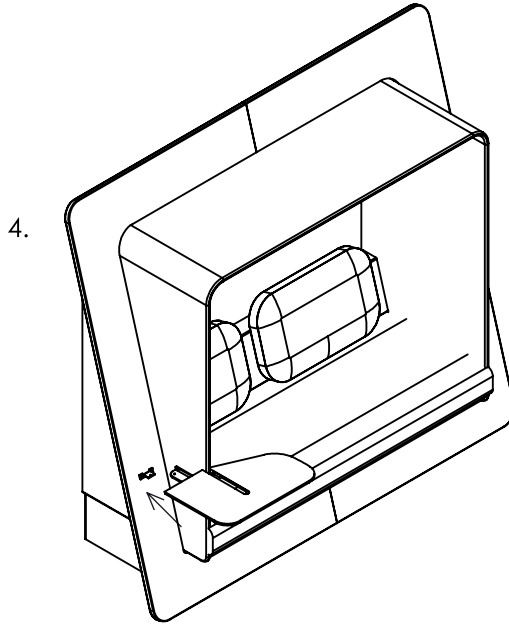
**89GT1 Bracket location**  
UR position



### 89T1 Installation



89T1 Installation



8 x 1 1/4"  
Flat head  
screw

1/4-20 x 3/4"  
Flat head  
screws

1/4-20 x 1/2"  
Pan head  
screws

