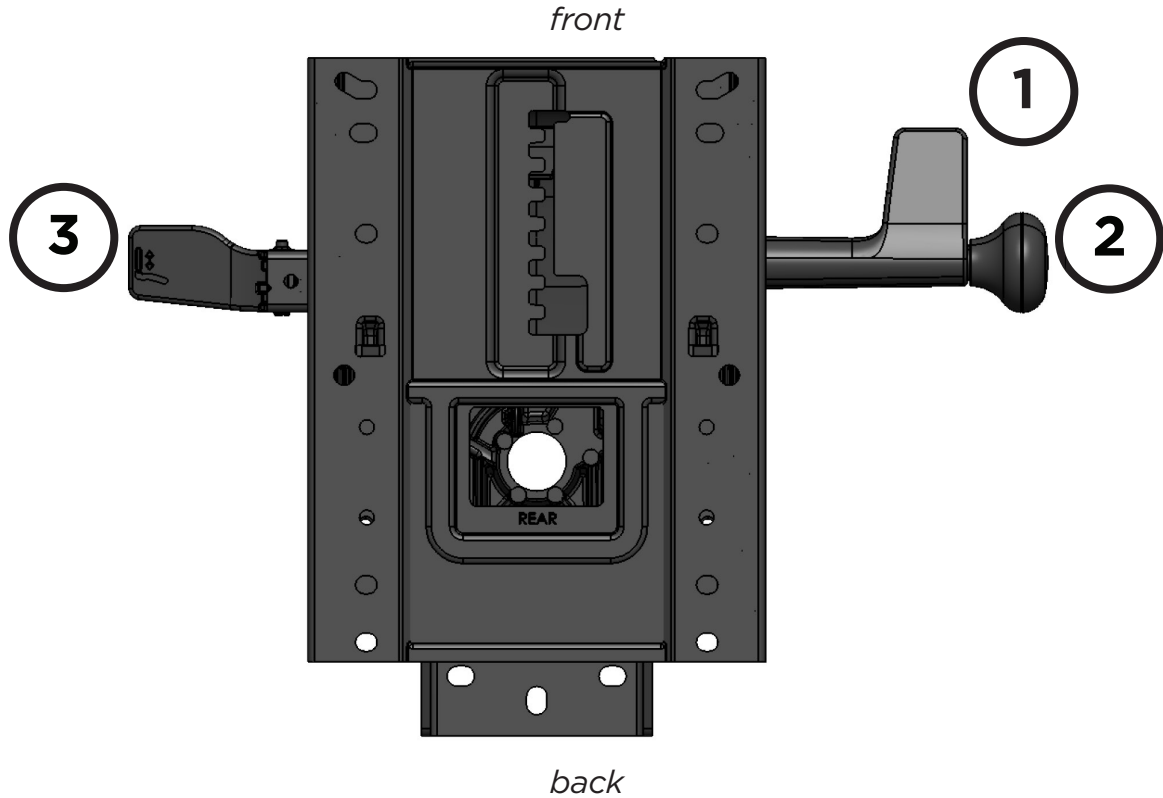


Top View



- 1** **Seat Height Adjustment:** Lift tab to adjust seat height. Release tab to lock in place.
- 2** **Back Tilt Adjustment:** Has 4 locking positions. Turn knob towards the rear of the chair to lock. Turn towards the front of the chair to unlock.
- 3** **Seat Slider Adjustment:** Lift tab to allow adjustment of seat forward and back. Release tab to lock position.

Available on

- HB