

Nineteen20 assembly





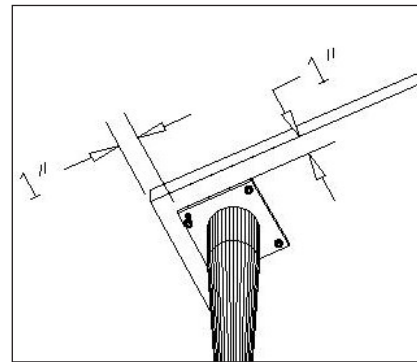
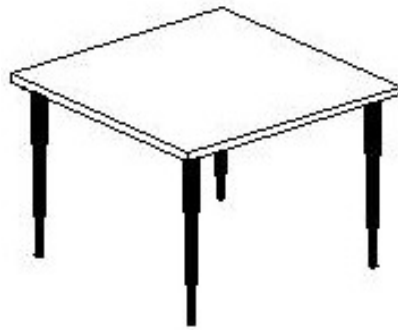
Table of contents

Taper leg	3
X base	4

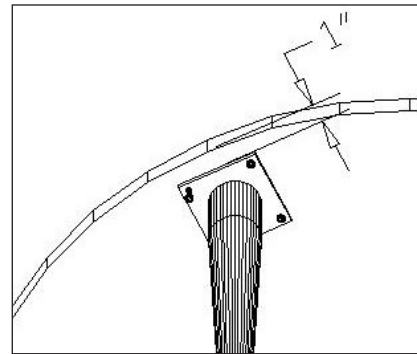
Taper leg

1. Position leg as shown on square or round top.
2. Attach with four wood screws. Repeat for remaining legs.

Square



Round



X base

Note: Proper screw length is determined by top plate on base

- Square/rectangular top plates use #12 x ¾ screws provided
- X top plates use #12 x 1 screw provided with base

