

Ezel assembly instructions



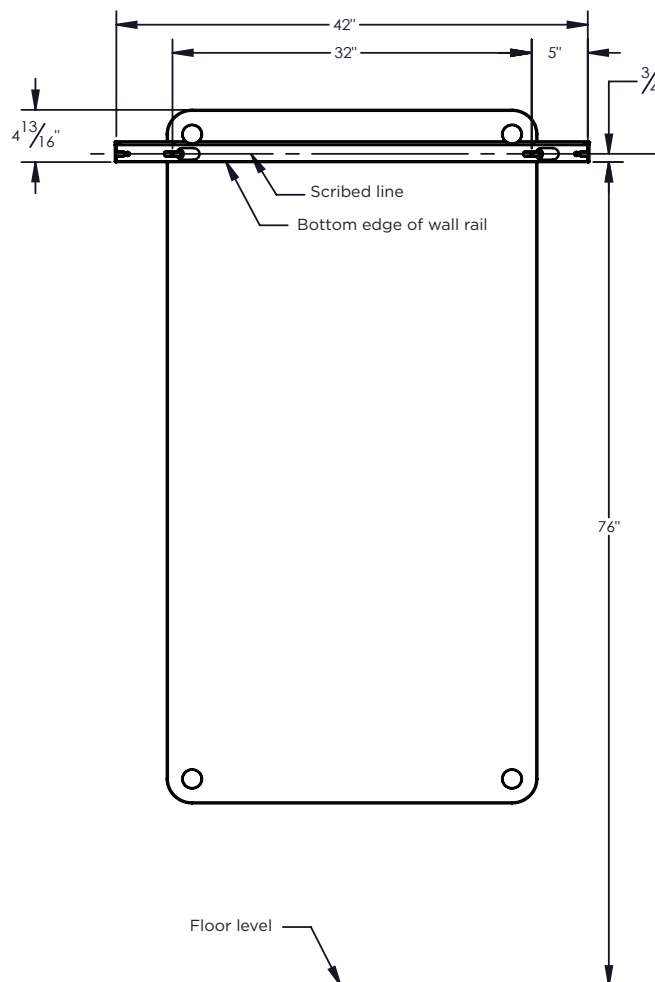
Ezel installation instructions

Tools required:

- Tape measure
- Level
- $\frac{5}{64}$ " Allen wrench
- Phillips screwdriver
- Cordless drill

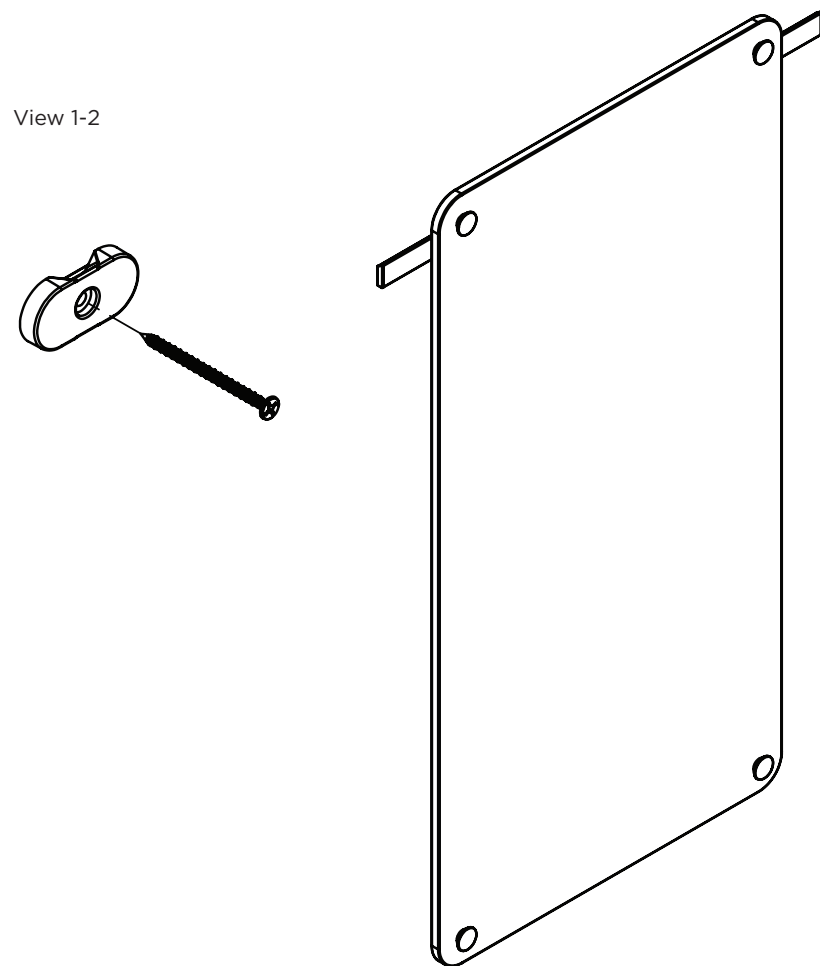
1. Begin by determining the desired position of the markerboard on to the wall and mark the bottom and side edges of where the wall rail will be placed.
2. Using a level and tape measure, scribe a new line $\frac{3}{4}$ " up from the previously marked line.
3. Next, starting from either marked side edge measure over 5", followed by 32", and scribe a new line. (Reference View 1-1)

View 1-1



Ezel installation instructions

4. With the reference lines now placed, the wall pucks can be installed onto the wall. Using an appropriate fastener for the specific wall type, fasten the wall pucks to the wall at intersections of the marked lines.
NOTE: The wall pucks are sized to be used with a #10 screw.
 (Reference View 1-2)



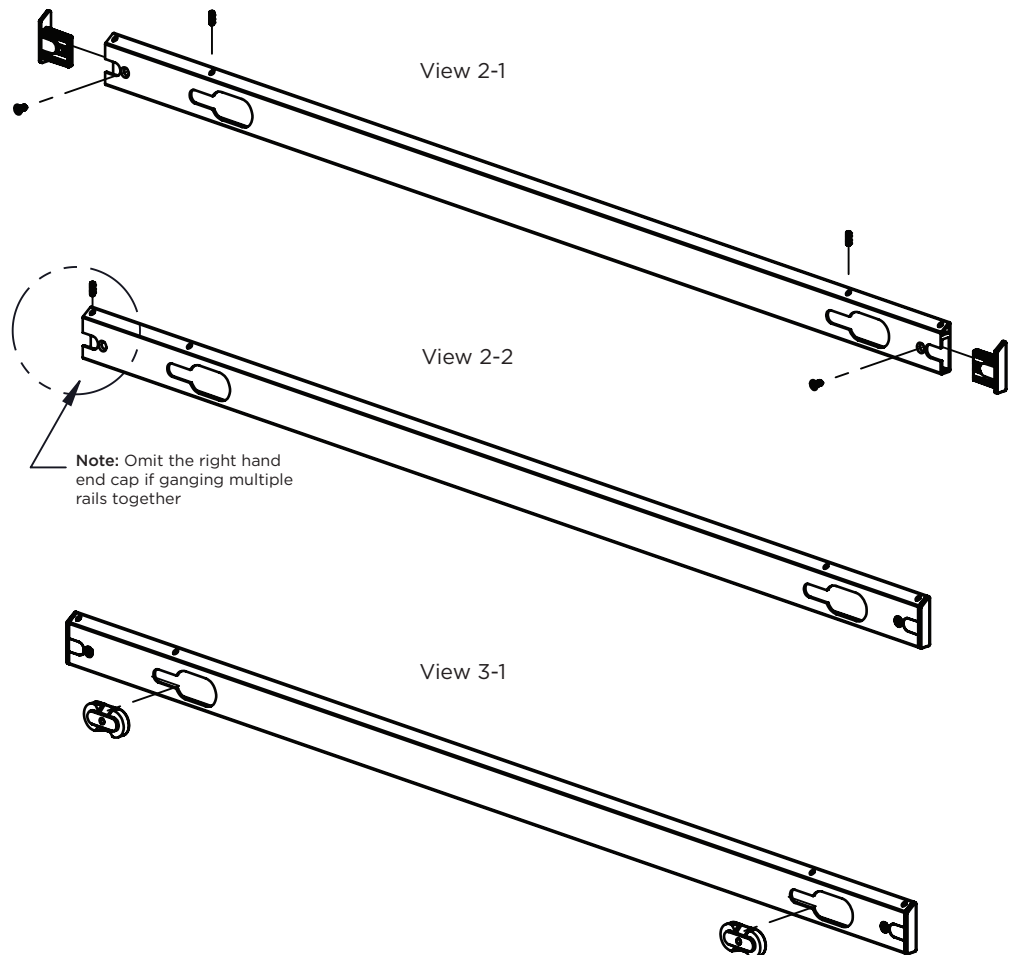
Ezel installation instructions

5. The Starter wall rail can now be sub-assembled before it is placed onto the wall. Insert the two end caps and fasten in place with the flat head phillips screws. Next, partially thread the set screws into holes directly above the keyhole slots. (Reference View 2-1)

NOTE: If ganging multiple rails together, omit the right hand end cap at this time and partially thread a set screw in the right most hole of the rail. (Reference View 2-2). See step 7 for ganging multiple rails.

6. Place the large open ends of the keyhole slots on the wall rail onto the wall pucks and slide the wall rail to the left until the rail has fully seated onto the wall pucks. (Reference View 3-1).

NOTE: Due to bowing/warping on some architectural walls, it may be necessary to partially loosen the wall puck fastener to allow it to engage onto the wall rail. If necessary, loosen the fastener $\frac{1}{4}$ turn at a time until the wall puck can easily engage onto the wall rail. Lastly, fully tighten the set screws to lock the rail in place.



Ezel installation instructions

NOTE: Steps 7, 8 & 9 are for ganging multiple wall rails only.

7. Continue the horizontally scribed line from step 2. Starting from the right edge of the Starter Wall Rail, once again measure over 5", followed by 32", and scribe a new line. Repeat step 4 to install the wall pucks onto the wall.
8. The add on wall rail can now be sub-assembled before it is placed onto the wall. Slide a wall puck connector into the open slot on the left end of the wall rail. Next, partially thread the set screws into the holes on top of the rail. (Reference View 4-1)

NOTE: Omit the set screw and install the end cap onto the right end of the last ganged wall rail. Refer to step 5 for end cap installation.

9. Place the large open ends of the keyhole slots on the wall rail onto the wall pucks and slide the wall rail to the left until the rail has fully seated onto the wall pucks and the seam between the rails is tight with no gaps. Fully tighten all the set screws to lock the rails in place. Repeat steps 7, 8 and 9 until all add on wall rails have been installed.

