



ALL STANDARD VENEERS

CHERRY

- MOCHA [MMC]
- MOLASSES [QEC]
- SIENNA [MLC]

WALNUT

- BURNISHED [BUW]
- DESERT [DST]
- EBONY [EBY]
- PORT [MVW]
- ROOT [MNW]
- TOFFEE [MGW]

MAPLE

- BLONDE [MBM]
- HONEY [MHM]

OAK

- LINEN [MRO]
- OSLO [OSL]
- PECAN [PCO]
- STEEL [MGO]

METAL POWDER COAT COLORS

- BONE WHITE [BWT]
- BUFF [BUFF]
- CHALK [CHLK]
- GOLD [SGLD]
- GRAPHITE [GRPH]
- LUSTER GREY [MSL]
- OILED BRONZE [HIP]
- ONYX [BKO]
- POLAR [POLR]
- SOFT BRONZE [SBRZ]
- WARM GREY [HIF]

STUDIO POWDER COAT (10%)

Only on Select Products

- CADET [CADT]
- CLOVER [CLOV]
- GOLDENROD [GLDN]
- HERON [HERN]
- LATTE [LATT]
- MOSS [MOSS]
- RUSSET [RUSS]
- SUNSET [SUNS]

WOODGRAIN LAMINATES

P = HPL

CHERRY

- COGNAC [MGP]
- MOCHA [CMP]
- MOLASSES [QEP]
- SIENNA [CHP]

WALNUT

- BURNISHED [BUP]
- DESERT [DSP]
- KODIAK [KDP]
- PORT [VMP]
- ROOT [NWP]
- TOFFEE [MEP]

MAPLE

- BLONDE [BEP]
- HONEY [HNP]
- OCHRE [TMP]

OAK

- LINEN [COP]
- PECAN [PCP]
- QUARRY [QRP]
- STEEL [STP]

TEXTURED LAMINATES (10%)

- NATURAL CHAMPAGNE [NGP]
- NATURAL STEAMWASH [NHP]

SOLID COLOR LAMINATES

- AQUA LAGOON [AQP]
- BLACK [BLP]
- BURGUNDY [BRP]
- FROSTY WHITE [FWP]
- GREY [GRP]
- PURE WHITE [RWP]
- SLATE GREY [SGP]
- SUMMER VACATION [SMP]
- SUNRAY [SRP]
- WOODVINE [WDP]

PAINTS

- BLACK [BLK]
- IRON [IRN]
- WHITE [WHT]

STUDIO PAINTS (10%)

Only on Select Products

- BLUSH [BLUS]
- CIDER [CIDR]
- DIJON [DIJO]
- FALLOW [FALO]
- FERN [FERN]
- MIDNIGHT [MDNT]
- PINE [PINE]
- TUNDRA [TUND]

FABRIC PARTNERS

- **ARC-COM**
www.arc-com.com
- **ARCHITEX**
www.architex-ljh.com
- **CAMIRA**
www.camirafabrics.com
- **CARNEGIE**
www.carnegiefabrics.com
- **C.F. STINSON**
www.cfstinson.com
- **DESIGNTEX**
www.designtex.com
- **GREEN HIDES**
www.greenhides.com
- **HELVETIA LEATHER**
www.helvetialeather.com
- **MAHARAM**
www.maharam.com
- **MAYER FABRICS**
www.mayerfabrics.com
- **MOMENTUM**
www.themomgroup.com
- **SPRADLING INTERNATIONAL, INC.**
www.spradlingvinyl.com
- **ULTRAFABRICS**
www.ultrafabricsllc.com

FELT/VINYL/POLYURETHANE/ SILICONE PARTNERS

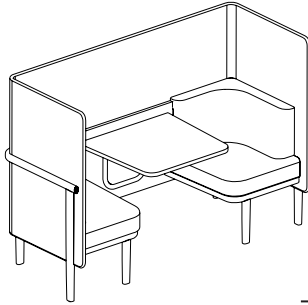
(Surround)

(Canopy approved noted)

- **ARC-COM**
Hush (felt) - Grade 6 (canopy approved)
Majorca (silicone) Grade 8 (canopy approved)
- **CAMIRA**
Aquarius (felt) - Grade 4 (canopy approved)
Blazer (felt) - Grade 5 (canopy approved)
Synergy (felt) - Grade 6 (canopy approved)
- **C.F. STINSON**
Dakota (polyurethane) - Grade 5
Outlander (felt) - Grade 4 (canopy approved)
Ardent (vinyl) - Grade 3
- **DESIGNTEX**
Heather 3473 (felt) - Grade 8 (canopy approved)
- **MAHARAM**
Apt (polyurethane) - Grade 7
Divina (felt) - Grade 9 (canopy approved)
Divina MD (felt) - Grade 9 (canopy approved)
Divina Melange (felt) - Grade 9 (canopy approved)
Hero (felt) - Grade 8 (canopy approved)
- **MOMENTUM**
Felt (felt) - Grade 9 (canopy approved)
Felt Melange (felt) - Grade 10 (canopy approved)
- **SPRADLING INTERNATIONAL, INC.**
Silververtex (vinyl) - Grade 4
Whisper (vinyl) - Grade 3 (canopy approved)

TRIPLE WIDTH RETREAT

- Molded Plywood Surround
- Dining Height Workspace
- Solid Wood Legs
- Powder Coated Steel Frame



model	w	d	h	wt	cu ft
82-8353RT	83.25	34.5	53	315	198.5

Surface, Legs, Support, and Rail \$5,403

yds com (54")	1	2	3	4	5	6	7	8	9	10	11	12	13	14	15	L1	L2	L3	
Seat	3.75	n/a	1,331	1,401	1,489	1,613	1,789	1,966	2,142	2,318	2,495	2,671	2,847	3,024	3,200	3,376	2,028	2,206	2,380
Surround (see page H) COM options are only those noted on Page H for Surround	10	n/a	2,318	2,506	2,741	3,070	3,540	4,010	4,481	4,951	5,421	n/a	n/a	n/a	n/a	n/a	n/a	n/a	n/a

OPTIONS

Grain Pattern	Top/Back Finish	Leg Finish	Frame Finish	Seat Power Location	Seat Power Finish	Table Power	Seat Fabric/Grade	Surround Fabric/Grade
B5A Flat Cut	MMC EBY MBM	Veneer	Standard Powder Coat	X9- No Power	X9- No Power	X9- No Power	Grade, Vendor, Pattern, Color	Grade, Vendor, Pattern, Color
	MLC MVW MHM	MMC MGW	BWT Bone White	C6U- Left Seat \$286	H8N/CHLK Fog/Chalk			
	BUW	QEC MBM	BUFF Buff	C6T- Right Seat \$286	H8X/GLDN Honey/Goldenrod			
B4Z Quartered	MMC EBY MHM	MLC MHM	CHLK Chalk	C6V- Both Seats \$572	H8V/BWT White/Bone White	\$362	NOTE: A sample of all COM fabrics must be submitted to OFS for preliminary approval prior to shipment of fabric. See ofs.com for COM Ordering Instructions.	NOTE: COM ONLY available in listed options for Surround on Page H.
	QEC MVW MRO	MLC MHM	SGLD Gold		H8P/BKO Black/Onyx	\$345		
	MLC MNW OSL	BUW MRO	GRPH Graphite		H8T/HIF Navy/Oiled Bronze	PS-100BE		
	BUW MGW PCO	DST OSL	MSL Luster Grey		H8N/GRPH Fog/Graphite	PS-100BK		
	DST MBM MGO	EBY PCO	HIP Oiled Bronze		H8Q/CHLK Storm/Chalk	PS-100WL		
		MVW MGO	BKO Onyx		H8V/MOSS White/Moss			
	MNW	POLR Polar						
X9 Laminate	HPL	Paint						
	MGP MEP BLP	BLK Black						
	CMP BEP BRP	IRN Iron						
	QEP HNP FWP	WHT White						
	CHP TMP GRP		Studio Powder Coat \$276					
	BUP COP RWP		CADT Cadet					
	DSP PCP SGP	Studio Paint \$108	CLOV Clover					
	KDP QRP SMP	BLUS Blush	GLDN Goldenrod					
	VMP STP SRP	CIDR Cider	HERN Heron					
	NWP AQP WDP	DIJO Dijon	LATT Latte					
		FALO Fallow	MOSS Moss					
		FERN Fern	RUSS Russet					
		MDNT Midnight	SUNS Sunset					
		PINE Pine						
		TUND Tundra						
	Textured Laminate (10% upcharge)							
	NGP NHP							

HOW TO ORDER

SPECIFY: Grain pattern | top/back finish | leg finish | frame finish | seat power location | seat power finish | table power | textile pattern/color. See page H for a complete offering of finishes and graded-in fabric options.

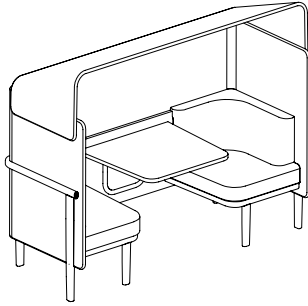
MODEL NUMBER

82-8353RT

Grain Pattern	Top/Back Finish	Leg Finish	Frame Finish	Seat Power Location	Seat Power Finish	Table Power	Seat Fabric/Grade	Surround Fabric/Grade
B5A	MMC	MMC	BWT	X9	X9	X9	Grade 3, Momentum, Epic, Limestone	Grade 6, Arc-Com, Hush, Mist

TRIPLE WIDTH RETREAT WITH CANOPY

- Molded Plywood Surround and Canopy
- Dining Height Workspace
- Solid Wood Legs
- Powder Coated Steel Frame



model	w	d	h	wt	cu ft
82-8353RT-C	83.25	34.5	66.5	390	198.5

Surface, Legs, Support, and Rail \$5,403

yds com (54")	1	2	3	4	5	6	7	8	9	10	11	12	13	14	15	L1	L2	L3	
Seat	3.75	n/a	1,331	1,401	1,489	1,613	1,789	1,966	2,142	2,318	2,495	2,671	2,847	3,024	3,200	3,376	2,028	2,206	2,380
Surround (see page H) COM options are only those noted on Page H for Surround	10	n/a	2,318	2,506	2,741	3,070	3,540	4,010	4,481	4,951	5,421	n/a	n/a	n/a	n/a	n/a	n/a	n/a	n/a
Canopy (see page H) COM options are only those noted on Page H for Canopy	6.25	n/a	1,888	2,005	2,152	2,358	2,652	2,946	3,240	3,534	3,828	n/a	n/a	n/a	n/a	n/a	n/a	n/a	n/a

OPTIONS

Grain Pattern	Top/Back Finish			Leg Finish	Frame Finish	Seat Power Location	Seat Power Finish	Table Power	Seat Fabric/Grade	Surround Fabric/Grade	Canopy Fabric/Grade				
B5A Flat Cut	MMC	EBY	MBM	Veneer	Standard Powder Coat	X9- No Power	X9- No Power	X9- No Power	Grade, Vendor, Pattern, Color	Grade, Vendor, Pattern, Color	Grade, Vendor, Pattern, Color				
	MLC	MVW	MHM									MMC	MGW	BWT	Bone White
	BUW											QEC	MBM	BUFF	Buff
B4Z Quartered	MMC	EBY	MHM	Paint	Studio Powder Coat \$276	C6U- Left Seat \$286	H8N/CHLK Fog/Chalk	\$362	NOTE: A sample of all COM fabrics must be submitted to OFS for preliminary approval prior to shipment of fabric. See ofs.com for COM Ordering Instructions.	NOTE: COM ONLY available in listed options for Surround on Page H.	NOTE: COM ONLY available in listed options for Canopy on Page H.				
	QEC	MVW	MRO									MLC	MHM	H8X/GLDN Honey/Goldenrod	
	MLC	MNW	OSL									BUW	MRO	H8V/BWT White/Bone White	
	BUW	MGW	PCO									DST	OSL	H8P/BKO Black/Onyx	
	DST	MBM	MGO									EBY	PCO	H8T/HIF Navy/Oiled Bronze	
X9 Laminate	HPL			Studio Paint \$108	CADT Cadet	C6V- Both Seats \$572	H8N/GRPH Fog/Graphite	\$345							
	MGP	MEP	BLP									BLK	Black	H8Q/CHLK Storm/Chalk	
	CMP	BEP	BRP									IRN	Iron	H8V/MOSS White/Moss	
	QEP	HNP	FWP									WHT	White		
	CHP	TMP	GRP												
	BUP	COP	RWP												
	DSP	PCP	SGP									BLUS	Blush		
	KDP	QRP	SMP									CIDR	Cider		
	VMP	STP	SRP									DIJO	Dijon		
	NWP	AQP	WDP									FALO	Fallow		
												FERN	Fern		
												MDNT	Midnight		
												PINE	Pine		
			TUND	Tundra											

HOW TO ORDER

SPECIFY: Grain pattern | top/back finish | leg finish | frame finish | seat power location | seat power finish | table power | textile pattern/color. See page H for a complete offering of finishes and graded-in fabric options.

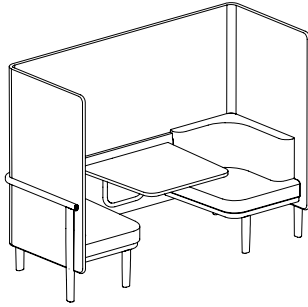
MODEL NUMBER

82-8353RT-C

Grain Pattern	Top/Back Finish	Leg Finish	Frame Finish	Seat Power Location	Seat Power Finish	Table Power	Seat Fabric/Grade	Surround Fabric/Grade	Canopy Fabric/Grade
B5A	MMC	MMC	BWT	X9	X9	X9	Grade 3, Momentum, Epic, Limestone	Grade 6, Arc-Com, Hush, Mist	Grade 6, Arc-Com, Hush, Mist

TRIPLE WIDTH RETREAT

- Molded Plywood Surround
- Dining Height Workspace
- Solid Wood Legs
- Powder Coated Steel Frame



model	w	d	h	wt	cu ft
82-8367RT	83.25	34.5	67	355	198.5

Surface, Legs, Support, and Rail	\$5,403
----------------------------------	---------

yds com (54")	1	2	3	4	5	6	7	8	9	10	11	12	13	14	15	L1	L2	L3	
Seat	3.75	n/a	1,331	1,401	1,489	1,613	1,789	1,966	2,142	2,318	2,495	2,671	2,847	3,024	3,200	3,376	2,028	2,206	2,380
Surround (see page H) COM options are only those noted on Page H for Surround	13.25	n/a	2,318	2,567	2,879	3,315	3,938	4,561	5,184	5,807	6,430	n/a	n/a	n/a	n/a	n/a	n/a	n/a	n/a

OPTIONS

Grain Pattern	Top/Back Finish			Leg Finish			Frame Finish			Seat Power Location		Seat Power Finish		Table Power		Seat Fabric/Grade		Surround Fabric/Grade					
B5A Flat Cut	MMC	EBY	MBM	Veneer			Standard Powder Coat			X9- No Power		X9- No Power		X9- No Power		Grade, Vendor, Pattern, Color		Grade, Vendor, Pattern, Color					
	MLC	MVW	MHM	MMC	MGW		BWT	Bone White		C6U- Left Seat	H8N/CHLK	Fog/Chalk	\$362	PS-62W	NOTE: A sample of all COM fabrics must be submitted to OFS for preliminary approval prior to shipment of fabric. See ofs.com for COM Ordering Instructions.		NOTE: COM ONLY available in listed options for Surround on Page H.						
	BUW			QEC	MBM		BUFF	Buff		C6T- Right Seat	H8X/GLDN	Honey/Goldenrod											
B4Z Quartered	MMC	EBY	MHM	MLC	MHM		CHLK	Chalk		\$286	H8V/BWT	White/Bone White											
	QEC	MVW	MRO	BUW	MRO		SGLD	Gold		\$286	H8P/BKO	Black/Onyx											
	MLC	MNW	OSL	DST	OSL		GRPH	Graphite		\$572	H8T/HIF	Navy/Oiled Bronze											
	BUW	MGW	PCO	EBY	PCO		MSL	Luster Grey			H8N/GRPH	Fog/Graphite											
	DST	MBM	MGO	MVW	MGO		HIP	Oiled Bronze			H8Q/CHLK	Storm/Chalk											
				MNW			BKO	Onyx			H8V/MOSS	White/Moss											
X9 Laminate	HPL			Paint			SBRZ Soft Bronze																
	MGP	MEP	BLP	BLK	Black		POLR	Polar															
	CMP	BEP	BRP	IRN	Iron		HIF	Warm Grey															
	QEP	HNP	FWP	WHT	White		Studio Powder Coat \$276																
	CHP	TMP	GRP	Studio Paint \$108			CADT Cadet																
	BUP	COP	RWP	BLUS	Blush		CLOV Clover																
	DSP	PCP	SGP	CIDR	Cider		GLDN Goldenrod																
	KDP	QRP	SMP	HERN	Heron		LATT Latte																
	VMP	STP	SRP	MOSS	Moss		RUSS Russet																
	NWP	AGP	WDP	SUNS	Sunset		TUND Tundra																
	Textured Laminate (10% upcharge)																						
	NGP	NHP																					

HOW TO ORDER

SPECIFY: Grain pattern | top/back finish | leg finish | frame finish | seat power location | seat power finish | table power | textile pattern/color. See page H for a complete offering of finishes and graded-in fabric options.

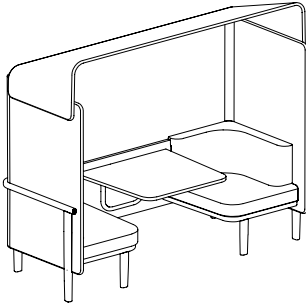
MODEL NUMBER

82-8367RT

Grain Pattern	Top/Back Finish	Leg Finish	Frame Finish	Seat Power Location	Seat Power Finish	Table Power	Seat Fabric/Grade	Surround Fabric/Grade
B5A	MMC	MMC	BWT	X9	X9	X9	Grade 3, Momentum, Epic, Limestone	Grade 6, Arc-Com, Hush, Mist

TRIPLE WIDTH RETREAT WITH CANOPY

- Molded Plywood Surround and Canopy
- Dining Height Workspace
- Solid Wood Legs
- Powder Coated Steel Frame



model	w	d	h	wt	cu ft
82-8367RT-C	83.25	34.5	80.5	430	198.5

Surface, Legs, Support, and Rail \$5,403

yds	com																	
com (54")	1	2	3	4	5	6	7	8	9	10	11	12	13	14	15	L1	L2	L3
Seat																		
3.75	n/a	1,331	1,401	1,489	1,613	1,789	1,966	2,142	2,318	2,495	2,671	2,847	3,024	3,200	3,376	2,028	2,206	2,380
Surround (see page H) COM options are only those noted on Page H for Surround																		
13.25	n/a	2,429	2,678	2,990	3,426	4,049	4,672	5,295	5,918	6,541	n/a	n/a	n/a	n/a	n/a	n/a	n/a	n/a
Canopy (see page H) COM options are only those noted on Page H for Canopy																		
6.25	n/a	1,888	2,358	2,652	2,946	3,240	3,534	3,828	4,121	4,415	n/a	n/a	n/a	n/a	n/a	n/a	n/a	n/a

OPTIONS

Grain Pattern	Top/Back Finish			Leg Finish			Frame Finish			Seat Power Location		Seat Power Finish		Table Power	Seat Fabric/Grade	Surround Fabric/Grade	Canopy Fabric/Grade
B5A Flat Cut	MMC	EBY	MBM	Veneer	MMC	MGW	Standard Powder Coat	BWT	X9- No Power	X9- No Power	X9- No Power	Grade, Vendor, Pattern, Color	Grade, Vendor, Pattern, Color	Grade, Vendor, Pattern, Color			
	MLC	MVW	MHM		QEC	MBM		BUFF							Bone White		
B4Z Quartered	BUW			MLC	MHM	CHLK	Chalk	C6U- Left Seat	H8N/CHLK	Fog/Chalk	\$362	NOTE: A sample of all COM fabrics must be submitted to OFS for preliminary approval prior to shipment of fabric. See ofs.com for COM Ordering Instructions.	NOTE: COM ONLY available in listed options for Surround on Page H.	NOTE: COM ONLY available in listed options for Canopy on Page H.			
	MMC	EBY	MHM	MLC	MRO	SGLD	Gold	\$286	H8V/BWT	White/Bone White							
	QEC	MVW	MRO	BUW	MRO	GRPH	Graphite	\$286	H8P/BKO	Black/Onyx							
	MLC	MNW	OSL	DST	OSL	MSL	Luster Grey	\$572	H8T/HIF	Navy/Oiled Bronze							
	BUW	MGW	PCO	EBY	PCO	HIP	Oiled Bronze		H8N/GRPH	Fog/Graphite							
DST	MBM	MGO	MVW	MGO	BKO	Onyx		H8Q/CHLK	Storm/Chalk								
X9 Laminate	HPL			Paint	BLK	Black	SBRZ	Soft Bronze	H8V/MOSS	White/Moss	\$345	PS-100BE	PS-100BK	PS-100WL			
	MGP	MEP	BLP		BLK	Black	POLR	Polar									
	CMP	BEP	BRP		IRN	Iron	HIF	Warm Grey									
	QEP	HNP	FWP		WHT	White											
	CHP	TMP	GRP				STudio Powder Coat	\$276									
	BUP	COP	RWP				CADT	Cadet									
	DSP	PCP	SGP				CLOV	Clover									
	KDP	QRP	SMP				GLDN	Goldenrod									
	VMP	STP	SRP				HERN	Heron									
	NWP	AQP	WDP				LATT	Latte									
							MOSS	Moss									
							RUSS	Russet									
							SUNS	Sunset									

HOW TO ORDER

SPECIFY: Grain pattern | top/back finish | leg finish | frame finish | seat power location | seat power finish | table power | textile pattern/color. See page H for a complete offering of finishes and graded-in fabric options.

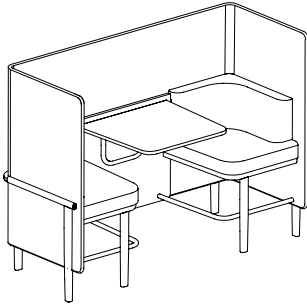
MODEL NUMBER

82-8367RT-C

Grain Pattern	Top/Back Finish	Leg Finish	Frame Finish	Seat Power Location	Seat Power Finish	Table Power	Seat Fabric/Grade	Surround Fabric/Grade	Canopy Fabric/Grade
B5A	MMC	MMC	BWT	X9	X9	X9	Grade 3, Momentum, Epic, Limestone	Grade 6, Arc-Com, Hush, Mist	Grade 6, Arc-Com, Hush, Mist

TRIPLE WIDTH RETREAT

- Molded Plywood Surround
- Solid Wood Legs
- Bar Height Workspace
- Powder Coated Steel Frame






model	w	d	h	wt	cu ft
82-8367RTB	83.25	34.5	67	380	198.5

Surface, Legs, Support, and Rail \$5,998

yds com (54")	1	2	3	4	5	6	7	8	9	10	11	12	13	14	15	L1	L2	L3	
Seat	3.75	n/a	1,370	1,440	1,528	1,652	1,828	2,005	2,181	2,357	2,534	2,710	2,886	3,063	3,239	3,415	2,067	2,245	2,419
Surround (see page H) COM options are only those noted on Page H for Surround	13.25	n/a	2,429	2,678	2,990	3,426	4,049	4,672	5,295	5,918	6,541	n/a	n/a	n/a	n/a	n/a	n/a	n/a	n/a

OPTIONS

Grain Pattern	Top/Back Finish			Leg Finish		Frame Finish	Seat Power Location	Seat Power Finish	Table Power	Wire Management	Seat Fabric/Grade	Surround Fabric/Grade
B5A Flat Cut	MMC	EBY	MBM	Veneer	MMC	MGW	X9- No Power	X9- No Power	X9- No Power	X9 None	Grade, Vendor, Pattern, Color	Grade, Vendor, Pattern, Color
	MLC	MVW	MHM		QEC	MBM						
B4Z Quartered	MMC	EBY	MHM	Paint	BLK	Black	C6U- Left Seat \$286 C6T- Right Seat \$286 C6V- Both Seats \$572	H8N/CHLK Fog/Chalk H8X/GLDN Honey/Goldenrod H8V/BWT White/Bone White H8P/BKO Black/Onyx H8T/HIF Navy/Oiled Bronze H8N/GRPH Fog/Graphite H8Q/CHLK Storm/Chalk H8V/MOSS White/Moss	\$362 PS-62W	 WMLT Wire Management Left \$204 WMRT Wire Management Right \$204	NOTE: A sample of all COM fabrics must be submitted to OFS for preliminary approval prior to shipment of fabric. See ofs.com for COM Ordering Instructions.	NOTE: COM ONLY available in listed options for Surround on Page H.
	QEC	MVW	MRO		IRN	Iron						
	MLC	MNW	OSL		WHT	White						
	BUW	MGW	PCO		Studio Powder Coat \$276							
X9 Laminate	HPL			Studio Paint \$108	CADT	Cadet	C6V- Both Seats \$572	H8N/GRPH Fog/Graphite H8Q/CHLK Storm/Chalk H8V/MOSS White/Moss	\$345 PS-100BE PS-100BK PS-100WL	 WMLT Wire Management Left \$204 WMRT Wire Management Right \$204	NOTE: A sample of all COM fabrics must be submitted to OFS for preliminary approval prior to shipment of fabric. See ofs.com for COM Ordering Instructions.	NOTE: COM ONLY available in listed options for Surround on Page H.
	MGP	MEP	BLP		BLK	Black						
	CMP	BEP	BRP		IRN	Iron						
	QEP	HNP	FWP		WHT	White						
	CHP	TMP	GRP		Studio Powder Coat \$276							
	BUP	COP	RWP		CADT	Cadet						
	DSP	PCP	SGP		CLOV	Clover						
	KDP	QRP	SMP		GLDN	Goldenrod						
	VMP	STP	SRP		HERN	Heron						
	NWP	AQP	WDP		LATT	Latte						
Textured Laminate (10% upcharge)				MDNT	Midnight	MOSS	Moss	C6V- Both Seats \$572	\$345 PS-100BE PS-100BK PS-100WL	 WMLT Wire Management Left \$204 WMRT Wire Management Right \$204	NOTE: A sample of all COM fabrics must be submitted to OFS for preliminary approval prior to shipment of fabric. See ofs.com for COM Ordering Instructions.	NOTE: COM ONLY available in listed options for Surround on Page H.
NGP	NHP		FERN	Fern								
			RUSS	Russet								
			SUNS	Sunset								

HOW TO ORDER

SPECIFY: Grain pattern | top/back finish | leg finish | frame finish | seat power location | seat power finish | table power | wire management | textile pattern/color. See page H for a complete offering of finishes and graded-in fabric options.

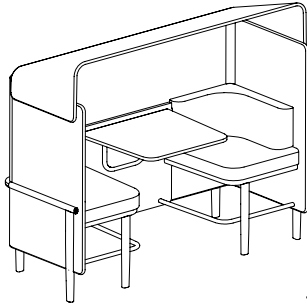
MODEL NUMBER

82-8367RTB

Grain Pattern	Top/Back Finish	Leg Finish	Frame Finish	Seat Power Location	Seat Power Finish	Table Power	Wire Management	Seat Fabric/Grade	Surround Fabric/Grade
B5A	MMC	MMC	BWT	X9	X9	X9	X9	Grade 3, Momentum, Epic, Limestone	Grade 6, Arc-Com, Hush, Mist

TRIPLE WIDTH RETREAT WITH CANOPY

- Molded Plywood Surround and Canopy
- Solid Wood Legs
- Bar Height Workspace
- Powder Coated Steel Frame




model	w	d	h	wt	cu ft
82-8367RTB-C	83.25	34.5	80.5	455	198.5

Surface, Legs, Support, and Rail \$5,998

yds com (54")	1	2	3	4	5	6	7	8	9	10	11	12	13	14	15	L1	L2	L3	
Seat	3.75	n/a	1,370	1,440	1,528	1,652	1,828	2,005	2,181	2,357	2,534	2,710	2,886	3,063	3,239	3,415	2,067	2,245	2,419
Surround (see page H) COM options are only those noted on Page H for Surround	13.25	n/a	2,429	2,678	2,990	3,426	4,049	4,672	5,295	5,918	6,541	n/a	n/a	n/a	n/a	n/a	n/a	n/a	n/a
Canopy (see page H) COM options are only those noted on Page H for Canopy	6.25	n/a	1,888	2,005	2,152	2,358	2,652	2,946	3,240	3,534	3,828	n/a	n/a	n/a	n/a	n/a	n/a	n/a	n/a

OPTIONS

Grain Pattern	Top/Back Finish	Leg Finish	Frame Finish	Seat Power Location	Seat Power Finish	Table Power	Wire Management	Seat Fabric/Grade	Surround Fabric/Grade	Canopy Fabric/Grade
B5A Flat Cut	MMC EBY MBM	Veneer	Standard Powder Coat	X9- No Power	X9- No Power	X9- No Power	X9 None	Grade, Vendor, Pattern, Color	Grade, Vendor, Pattern, Color	Grade, Vendor, Pattern, Color
	MLC MVW MHM BUW	MMC MGW GEC MBM	BWT Bone White BUFF Buff	C6U- Left Seat \$286	H8N/CHLK Fog/Chalk H8X/GLDN Honey/Goldenrod					
B4Z Quartered	MMC EBY MHM	MLC MHM BUW MRO DST OSL EBY PCO MVW MGO MNV	CHLK Chalk SGLD Gold GRPH Graphite MSL Luster Grey HIP Oiled Bronze BKO Onyx POLR Polar SBRZ Soft Bronze HIF Warm Grey	C6T- Right Seat \$286 C6V- Both Seats \$572	H8V/BWT White/Bone White H8P/BKO Black/Onyx H8T/HIF Navy/Oiled Bronze H8N/GRPH Fog/Graphite H8Q/CHLK Storm/Chalk H8V/MOSS White/Moss	\$362 PS-62W \$345 PS-100BE PS-100BK PS-100WL	 WMLT Wire Management Left \$204 WMRT Wire Management Right \$204	NOTE: A sample of all COM fabrics must be submitted to OFS for preliminary approval prior to shipment of fabric. See ofs.com for COM Ordering Instructions.	NOTE: COM ONLY available in listed options for Surround on Page H.	NOTE: COM ONLY available in listed options for Canopy on Page H.
	QEC MVW MRO MLC MNW OSL BUW MGW PCO DST MBM MGO									
X9 Laminate	HPL	Paint BLK Black IRN Iron WHT White	Studio Paint \$108 BLUS Blush CIDR Cider DIJO Dijon FALO Fallow FERN Fern MDNT Midnight PINE Pine TUND Tundra							
	MGP MEP BLP CMP BEP BRP QEP HNP FWP CHP TMP GRP BUP COP RWP DSP PCP SGP KDP QRP SMP VMP STP SRP NWP AQP WDP									

HOW TO ORDER

SPECIFY: Grain pattern | top/back finish | leg finish | frame finish | seat power location | seat power finish | table power | wire management | textile pattern/color. See page H for a complete offering of finishes and graded-in fabric options.

MODEL NUMBER

82-8367RTB-C

Grain Pattern	Top/Back Finish	Leg Finish	Frame Finish	Seat Power Location	Seat Power Finish	Table Power	Wire Management	Seat Fabric/Grade	Surround Fabric/Grade	Canopy Fabric/Grade
B5A	MMC	MMC	BWT	X9	X9	X9	X9	Grade 3, Momentum, Epic, Limestone	Grade 6, Arc-Com, Hush, Mist	Grade 6, Arc-Com, Hush, Mist