



ALL STANDARD VENEERS

CHERRY

- MOCHA [MMC]
- MOLASSES [QEC]
- SIENNA [MLC]

WALNUT

- BURNISHED [BUW]
- DESERT [DST]
- EBONY [EBY]
- PORT [MVW]
- ROOT [MNW]
- TOFFEE [MGW]

MAPLE

- BLONDE [MBM]
- HONEY [MHM]

OAK

- LINEN [MRO]
- OSLO [OSL]
- PECAN [PCO]
- STEEL [MGO]

METAL POWDER COAT COLORS

- BONE WHITE [BWT]
- BUFF [BUFF]
- CHALK [CHLK]
- GOLD [SGLD]
- GRAPHITE [GRPH]
- LUSTER GREY [MSL]
- OILED BRONZE [HIP]
- ONYX [BKO]
- POLAR [POLR]
- SOFT BRONZE [SBRZ]
- WARM GREY [HIF]

STUDIO POWDER COAT (10%)

- CADET [CADT]
- CLOVER [CLOV]
- GOLDENROD [GLDN]
- HERON [HERN]
- LATTE [LATT]
- MOSS [MOSS]
- RUSSET [RUSS]
- SUNSET [SUNS]

WOODGRAIN LAMINATES

P = HPL

CHERRY

- COGNAC [MGP]
- MOCHA [CMP]
- MOLASSES [QEP]
- SIENNA [CHP]

WALNUT

- BURNISHED [BUP]
- DESERT [DSP]
- KODIAK [KDP]
- PORT [VMP]
- ROOT [NWP]
- TOFFEE [MEP]

MAPLE

- BLONDE [BEP]
- HONEY [HNP]
- OCHRE [TMP]

OAK

- LINEN [COP]
- PECAN [PCP]
- QUARRY [QRP]
- STEEL [STP]

TEXTURED LAMINATES (10%)

- NATURAL CHAMPAGNE [NGP]
- NATURAL STEAMWASH [NHP]

SOLID COLOR LAMINATES

- AQUA LAGOON [AQP]
- BLACK [BLP]
- BURGUNDY [BRP]
- FROSTY WHITE [FWP]
- GREY [GRP]
- PURE WHITE [RWP]
- SLATE GREY [SGP]
- SUMMER VACATION [SMP]
- SUNRAY [SRP]
- WOODVINE [WDP]

PAINTS

- BLACK [BLK]
- IRON [IRN]
- WHITE [WHT]

STUDIO PAINTS (10%)

- BLUSH [BLUS]
- CIDER [CIDR]
- DIJON [DIJO]
- FALLOW [FALO]
- FERN [FERN]
- MIDNIGHT [MDNT]
- PINE [PINE]
- TUNDRA [TUND]

FABRIC PARTNERS

- **ARC-COM**
www.arc-com.com
- **ARCHITEX**
www.architex-ljh.com
- **CAMIRA**
www.camirafabrics.com
- **CARNEGIE**
www.carnegiefabrics.com
- **C.F. STINSON**
www.cfstinson.com
- **DESIGNTEX**
www.designtex.com
- **GREEN HIDES**
www.greenhides.com
- **HELVETIA LEATHER**
www.helvetialeather.com
- **KVADRAT**
www.kvadrat.dk
- **LUNA**
www.lunatextiles.com
- **MAHARAM**
www.maharam.com
- **MAYER FABRICS**
www.mayerfabrics.com
- **MOMENTUM**
www.themomgroup.com
- **SPRADLING INTERNATIONAL, INC.**
www.spradlingvinyl.com
- **ULTRAFABRICS**
www.ultrafabricsllc.com

FELT/VINYL/POLYURETHANE/ SILICONE PARTNERS

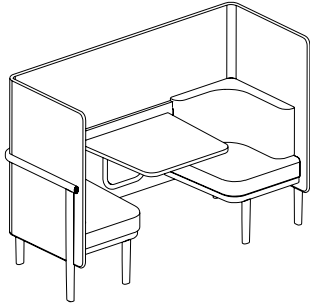
(Surround)

(Canopy approved noted)

- **ARC-COM**
Hush (felt) - Grade 6 (canopy approved)
Majorca (silicone) Grade 8 (canopy approved)
- **CAMIRA**
Aquarius (felt) - Grade 4 (canopy approved)
Blazer (felt) - Grade 5 (canopy approved)
Synergy (felt) - Grade 6 (canopy approved)
- **C.F. STINSON**
Dakota (polyurethane) - Grade 5
Outlander (felt) - Grade 4 (canopy approved)
Ardent (vinyl) - Grade 4
- **DESIGNTEX**
Heather 3473 (felt) - Grade 8 (canopy approved)
- **KVADRAT**
Divina (felt) - Grade 8 (canopy approved)
Divina MD (felt) - Grade 8 (canopy approved)
Divina Melange (felt) - Grade 8 (canopy approved)
Hero (felt) - Grade 7 (canopy approved)
- **MAHARAM**
Apt (polyurethane) - Grade 7
- **MOMENTUM**
Felt (felt) - Grade 9 (canopy approved)
Felt Melange (felt) - Grade 10 (canopy approved)
Silica (silicone) - Grade 7 (canopy approved)
- **SPRADLING INTERNATIONAL, INC.**
Silververtex (vinyl) - Grade 4
Whisper (vinyl) - Grade 3 (canopy approved)

TRIPLE WIDTH RETREAT

- Molded Plywood Surround
- Dining Height Workspace
- Solid Wood Legs
- Powder Coated Steel Frame



model

82-8353RT

w	outside d	h	sw	seat sd	sh	inside back	table height	weight lbs.	cubic feet
83.25	34.5	53	20	24	19.25	13.25	29	315	198.5

Surface, Legs, Support, and Rail

\$5,403

yds com (54")	1	2	3	4	5	6	7	8	9	10	11	12	13	14	15	L1	L2	L3	
Seat	3.75	n/a	1,331	1,401	1,489	1,613	1,789	1,966	2,142	2,318	2,495	2,671	2,847	3,024	3,200	3,376	2,028	2,206	2,380
Surround (see page H) COM options are only those noted on Page H for Surround	10	n/a	2,318	2,506	2,741	3,070	3,540	4,010	4,481	4,951	5,421	n/a	n/a	n/a	n/a	n/a	n/a	n/a	

OPTIONS

Grain Pattern	Top/Back Finish	Leg Finish	Frame Finish	Seat Power Location	Seat Power Finish	Table Power	Seat Fabric/Grade	Surround Fabric/Grade		
B5A Flat Cut	MMC EBY MBM	Veneer	Standard Powder Coat	X9- No Power	X9- No Power	X9- No Power	Grade, Vendor, Pattern, Color	Grade, Vendor, Pattern, Color		
	MLC MVW MHM	MMC MGW	BWT Bone White							
B4Z Quartered	MMMC EBY MHM	Paint	Studio Powder Coat \$276	C6U Left Seat	H8N/CHLK Fog/Chalk	\$370	NOTE: A sample of all COM fabrics must be submitted to OFS for preliminary approval prior to shipment of fabric. See ofs.com for COM Ordering Instructions.	NOTE: COM ONLY available in listed options for Surround on Page H.		
	QEC MBM			BUFF Buff	C6T Right Seat				H8X/GLDN Honey/Goldenrod	
X9 Laminate	MMMC EBY MHM	BLK Black	Studio Powder Coat \$276	C6V Both Seats	H8T/HIF Navy/Oiled Bronze	\$353				
	QEC MBM								CHLK Chalk	H8P/BKO Black/Onyx
	MLC MNW OSL								SGLD Gold	H8N/GRPH Fog/Graphite
	BUW MGW PCO								GRPH Graphite	H8Q/CHLK Storm/Chalk
	DST MBM MGO								MSL Luster Grey	H8V/MOSS White/Moss
									HIP Oiled Bronze	
									BKO Onyx	
									POLR Polar	
									SBRZ Soft Bronze	
									HIF Warm Grey	
									CADT Cadet	
									CLOV Clover	
	BLUS Blush									
	GLDN Goldenrod									
	CIDR Cider									
	HERN Heron									
	LATT Latte									
	MOSS Moss									
	FERN Fern									
	RUSS Russet									
	MDNT Midnight									
	SUNS Sunset									
	PINE Pine									
	TUND Tundra									
	Textured Laminate (10% upcharge)									
	NGP NHP									

HOW TO ORDER

SPECIFY: Grain pattern | top/back finish | leg finish | frame finish | seat power location | seat power finish | table power | textile pattern/color. See page H for a complete offering of finishes and graded-in fabric options.

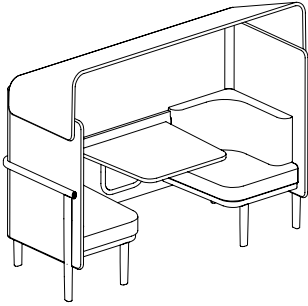
MODEL NUMBER

82-8353RT

Grain Pattern	Top/Back Finish	Leg Finish	Frame Finish	Seat Power Location	Seat Power Finish	Table Power	Seat Fabric/Grade	Surround Fabric/Grade
B5A	MMC	MMC	BWT	X9	X9	X9	Grade 3, Momentum, Epic, Limestone	Grade 6, Arc-Com, Hush, Mist

TRIPLE WIDTH RETREAT WITH CANOPY

- Molded Plywood Surround and Canopy
- Solid Wood Legs
- Dining Height Workspace
- Powder Coated Steel Frame


model
82-8353RT-C

w	outside d	h	sw	seat sd	sh	inside back	table height	weight lbs.	cubic feet
83.25	34.5	66.5	20	24	19.25	13.25	29	390	198.5

Surface, Legs, Support, and Rail
\$5,403

yds com (54")	1	2	3	4	5	6	7	8	9	10	11	12	13	14	15	L1	L2	L3	
Seat	3.75	n/a	1,331	1,401	1,489	1,613	1,789	1,966	2,142	2,318	2,495	2,671	2,847	3,024	3,200	3,376	2,028	2,206	2,380
Surround (see page H) COM options are only those noted on Page H for Surround	10	n/a	2,318	2,506	2,741	3,070	3,540	4,010	4,481	4,951	5,421	n/a	n/a	n/a	n/a	n/a	n/a	n/a	
Canopy (see page H) COM options are only those noted on Page H for Canopy	6.25	n/a	1,888	2,005	2,152	2,358	2,652	2,946	3,240	3,534	3,828	n/a	n/a	n/a	n/a	n/a	n/a	n/a	

OPTIONS

Grain Pattern	Top/Back Finish			Leg Finish	Frame Finish	Seat Power Location	Seat Power Finish	Table Power	Seat Fabric/Grade	Surround Fabric/Grade	Canopy Fabric/Grade				
B5A Flat Cut	MMC	EBY	MBM	Veneer	Standard Powder Coat	X9- No Power	X9- No Power	X9- No Power	Grade, Vendor, Pattern, Color	Grade, Vendor, Pattern, Color	Grade, Vendor, Pattern, Color				
	MLC	MVW	MHM									MMC	MGW	BWT	Bone White
	BUW	QEC	MBM									BUFF	Buff		
B4Z Quartered	MMC	EBY	MHM	Paint	Studio Powder Coat \$276	C6U Left Seat \$292	H8N/CHLK Fog/Chalk	\$370 PS-62W	NOTE: A sample of all COM fabrics must be submitted to OFS for preliminary approval prior to shipment of fabric. See ofs.com for COM Ordering Instructions.	NOTE: COM ONLY available in listed options for Surround on Page H.	NOTE: COM ONLY available in listed options for Canopy on Page H.				
	QEC	MVW	MRO									MLC	MHM	CHLK	Chalk
	MLC	MNW	OSL									BUW	MRO	SGLD	Gold
	BUW	MGW	PCO									DST	OSL	GRPH	Graphite
	DST	MBM	MGO									EBY	PCO	MSL	Luster Grey
X9 Laminate	HPL			Studio Paint \$108	CADT Cadet	C6T Right Seat \$292	H8V/BWT White/Bone White	\$353 PS-100BE PS-100BK PS-100WL							
	MGP	MEP	BLP									BLK	Black		
	CMP	BEP	BRP									IRN	Iron		
	QEP	HNP	FWP									WHT	White		
	CHP	TMP	GRP												
	BUP	COP	RWP												
	DSP	PCP	SGP												
	KDP	QRP	SMP									BLUS	Blush		
	VMP	STP	SRP									CIDR	Cider		
	NWP	AQP	WDP									DIJO	Dijon		
												FALO	Fallow		
												FERN	Fern		
												MDNT	Midnight		
			PINE	Pine											
			TUND	Tundra											

HOW TO ORDER

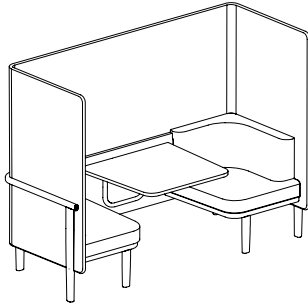
SPECIFY: Grain pattern | top/back finish | leg finish | frame finish | seat power location | seat power finish | table power | textile pattern/color. See page H for a complete offering of finishes and graded-in fabric options.

MODEL NUMBER
82-8353RT-C

Grain Pattern	Top/Back Finish	Leg Finish	Frame Finish	Seat Power Location	Seat Power Finish	Table Power	Seat Fabric/Grade	Surround Fabric/Grade	Canopy Fabric/Grade
B5A	MMC	MMC	BWT	X9	X9	X9	Grade 3, Momentum, Epic, Limestone	Grade 6, Arc-Com, Hush, Mist	Grade 6, Arc-Com, Hush, Mist

TRIPLE WIDTH RETREAT

- Molded Plywood Surround
- Dining Height Workspace
- Solid Wood Legs
- Powder Coated Steel Frame



model
82-8367RT

w	outside d	h	sw	seat sd	sh	inside back	table height	weight lbs.	cubic feet
83.25	34.5	67	20	24	19.25	13.25	29	355	198.5

Surface, Legs, Support, and Rail

\$5,403

yds com (54")	1	com 2	3	4	5	6	7	8	9	10	11	12	13	14	15	L1	L2	L3	
Seat	3.75	n/a	1,331	1,401	1,489	1,613	1,789	1,966	2,142	2,318	2,495	2,671	2,847	3,024	3,200	3,376	2,028	2,206	2,380

Surround (see page H) COM options are only those noted on Page H for Surround

13.25	n/a	2,318	2,567	2,879	3,315	3,938	4,561	5,184	5,807	6,430	n/a	n/a	n/a	n/a	n/a	n/a	n/a	n/a
-------	-----	-------	-------	-------	-------	-------	-------	-------	-------	-------	-----	-----	-----	-----	-----	-----	-----	-----

OPTIONS

Grain Pattern	Top/Back Finish	Leg Finish	Frame Finish	Seat Power Location	Seat Power Finish	Table Power	Seat Fabric/Grade	Surround Fabric/Grade
B5A Flat Cut	MMC EBY MBM MLC MVW MHM BUW	Veneer MMC MGW QEC MBM	Standard Powder Coat BWT Bone White BUFF Buff CHLK Chalk SGLD Gold GRPH Graphite MSL Luster Grey HIP Oiled Bronze BKO Onyx POLR Polar SBRZ Soft Bronze HIF Warm Grey	X9- No Power	X9- No Power	X9- No Power	Grade, Vendor, Pattern, Color	Grade, Vendor, Pattern, Color
B4Z Quartered	MMC EBY MHM QEC MVW MRO MLC MNW OSL BUW MGW PCO DST MBM MGO	MLC MHM BUW MRO DST OSL EBY PCO MVW MGO MNW	Studio Powder Coat \$276 CADT Cadet CLOV Clover GLDN Goldenrod HERN Heron LATT Latte MOSS Moss RUSS Russet SUNS Sunset	C6U Left Seat \$292 C6T Right Seat \$292 C6V Both Seats \$584	H8N/CHLK Fog/Chalk H8X/GLDN Honey/Goldenrod H8V/BWT White/Bone White H8P/BKO Black/Onyx H8T/HIF Navy/Oiled Bronze H8N/GRPH Fog/Graphite H8Q/CHLK Storm/Chalk H8V/MOSS White/Moss	\$370 PS-62W \$353 PS-100BE PS-100BK PS-100WL	NOTE: A sample of all COM fabrics must be submitted to OFS for preliminary approval prior to shipment of fabric. See ofs.com for COM Ordering Instructions.	NOTE: COM ONLY available in listed options for Surround on Page H.
X9 Laminate	HPL MGP MEP BLP CMP BEP BRP QEP HNP FWP CHP TMP GRP BUP COP RWP DSP PCP SGP KDP QRP SMP VMP STP SRP NWP AQP WDP Textured Laminate (10% upcharge) NGP NHP	Paint BLK Black IRN Iron WHT White Studio Paint \$108 BLUS Blush CIDR Cider DIJO Dijon FALO Fallow FERN Fern MDNT Midnight PINE Pine TUND Tundra						

HOW TO ORDER

SPECIFY: Grain pattern | top/back finish | leg finish | frame finish | seat power location | seat power finish | table power | textile pattern/color. See page H for a complete offering of finishes and graded-in fabric options.

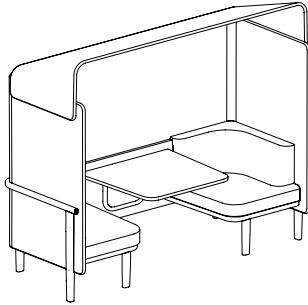
MODEL NUMBER

82-8367RT

Grain Pattern	Top/Back Finish	Leg Finish	Frame Finish	Seat Power Location	Seat Power Finish	Table Power	Seat Fabric/Grade	Surround Fabric/Grade
B5A	MMC	MMC	BWT	X9	X9	X9	Grade 3, Momentum, Epic, Limestone	Grade 6, Arc-Com, Hush, Mist

TRIPLE WIDTH RETREAT WITH CANOPY

- Molded Plywood Surround and Canopy
- Dining Height Workspace
- Solid Wood Legs
- Powder Coated Steel Frame



model

82-8367RT-C

w	outside d	h	sw	seat sd	sh	inside back	table height	weight lbs.	cubic feet
83.25	34.5	80.5	20	24	19.25	13.25	29	430	198.5

Surface, Legs, Support, and Rail

\$5,403

yds com (54")	1	2	3	4	5	6	7	8	9	10	11	12	13	14	15	L1	L2	L3
---------------	---	---	---	---	---	---	---	---	---	----	----	----	----	----	----	----	----	----

Seat

3.75	n/a	1,331	1,401	1,489	1,613	1,789	1,966	2,142	2,318	2,495	2,671	2,847	3,024	3,200	3,376	2,028	2,206	2,380
------	-----	-------	-------	-------	-------	-------	-------	-------	-------	-------	-------	-------	-------	-------	-------	-------	-------	-------

Surround (see page H) COM options are only those noted on Page H for Surround

13.25	n/a	2,429	2,678	2,990	3,426	4,049	4,672	5,295	5,918	6,541	n/a	n/a	n/a	n/a	n/a	n/a	n/a	n/a
-------	-----	-------	-------	-------	-------	-------	-------	-------	-------	-------	-----	-----	-----	-----	-----	-----	-----	-----

Canopy (see page H) COM options are only those noted on Page H for Canopy

6.25	n/a	1,888	2,005	2,152	2,946	2,358	2,652	2,946	3,240	3,534	n/a	n/a	n/a	n/a	n/a	n/a	n/a	n/a
------	-----	-------	-------	-------	-------	-------	-------	-------	-------	-------	-----	-----	-----	-----	-----	-----	-----	-----

OPTIONS

Grain Pattern	Top/Back Finish	Leg Finish	Frame Finish	Seat Power Location	Seat Power Finish	Table Power	Seat Fabric/Grade	Surround Fabric/Grade	Canopy Fabric/Grade		
B5A Flat Cut	MMC EBY MBM	Veneer	Standard Powder Coat	X9- No Power	X9- No Power	X9- No Power	Grade, Vendor, Pattern, Color	Grade, Vendor, Pattern, Color	Grade, Vendor, Pattern, Color		
	MLC MVW MHM	MMC MGW	BWT Bone White	C6U Left Seat \$292	H8N/CHLK Fog/Chalk					\$370	
B4Z Quartered	BUW	QEC MBM	BUFF Buff			C6T Right Seat \$292	H8X/GLDN Honey/Goldenrod	NOTE: A sample of all COM fabrics must be submitted to OFS for preliminary approval prior to shipment of fabric. See ofs.com for COM Ordering Instructions.	NOTE: COM ONLY available in listed options for Surround on Page H.		NOTE: COM ONLY available in listed options for Canopy on Page H.
	MMC EBY MHM	MLC MHM	CHLK Chalk	H8V/BWT White/Bone White							
	QEC MVW MRO	BUW MRO	SGLD Gold	H8P/BKO Black/Onyx							
	MLC MNW OSL	DST OSL	GRPH Graphite	H8T/HIF Navy/Oiled Bronze							
X9 Laminate	BUW MGW PCO	EBY PCO	MSL Luster Grey	C6V Both Seats \$584	H8N/GRPH Fog/Graphite	PS-100BE					
	DST MBM MGO	MVW MGO	HIP Oiled Bronze		H8Q/CHLK Storm/Chalk					PS-100BK	
	HPL	Paint	BKO Onyx		H8V/MOSS White/Moss						PS-100WL
	MGP MEP BLP	BLK Black	POLR Polar								
	CMP BEP BRP	IRN Iron	SBRZ Soft Bronze								
	QEP HNP FWP	WHT White	HIF Warm Grey								
	CHP TMP GRP	Studio Powder Coat \$276									
	BUP COP RWP	CADT Cadet									
	DSP PCP SGP	CLOV Clover									
	KDP QRP SMP	GLDN Goldenrod									
VMP STP SRP	HERN Heron										
NWP AQP WDP	LATT Latte										
	Textured Laminate (10% upcharge)	FALO Fallow	MOSS Moss								
	NGP NHP	FERN Fern	RUSS Russet								
		MDNT Midnight	SUNS Sunset								
		PINE Pine									
		TUND Tundra									

HOW TO ORDER

SPECIFY: Grain pattern | top/back finish | leg finish | frame finish | seat power location | seat power finish | table power | textile pattern/color. See page H for a complete offering of finishes and graded-in fabric options.

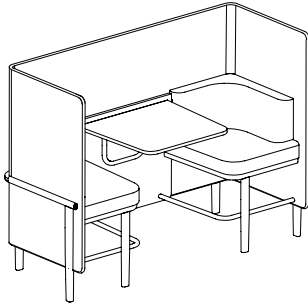
MODEL NUMBER

82-8367RT-C

Grain Pattern	Top/Back Finish	Leg Finish	Frame Finish	Seat Power Location	Seat Power Finish	Table Power	Seat Fabric/Grade	Surround Fabric/Grade	Canopy Fabric/Grade
B5A	MMC	MMC	BWT	X9	X9	X9	Grade 3, Momentum, Epic, Limestone	Grade 6, Arc-Com, Hush, Mist	Grade 6, Arc-Com, Hush, Mist

TRIPLE WIDTH RETREAT

- Molded Plywood Surround
- Bar Height Workspace
- Solid Wood Legs
- Powder Coated Steel Frame



model

82-8367RTB

w	outside d	h	sw	seat sd	sh	inside back	table height	weight lbs.	cubic feet
83.25	34.5	67	20	24	31.25	13.25	29	380	198.5

Surface, Legs, Support, and Rail

\$5,998

yds com (54")	1	2	3	4	5	6	7	8	9	10	11	12	13	14	15	L1	L2	L3	
Seat																			
	3.75	n/a	1,370	1,440	1,528	1,652	1,828	2,005	2,181	2,357	2,534	2,710	2,886	3,063	3,239	3,415	2,067	2,245	2,419
Surround (see page H) COM options are only those noted on Page H for Surround																			
	13.25	n/a	2,429	2,678	2,990	3,426	4,049	4,672	5,295	5,918	6,541	n/a	n/a	n/a	n/a	n/a	n/a	n/a	n/a

OPTIONS

Grain Pattern	Top/Back Finish			Leg Finish		Frame Finish	Seat Power Location	Seat Power Finish	Table Power	Wire Management	Seat Fabric/Grade	Surround Fabric/Grade	
B5A Flat Cut	MMC	EBY	MBM	Veneer		Standard Powder Coat	X9- No Power	X9- No Power	X9- No Power	X9 None	Grade, Vendor, Pattern, Color	Grade, Vendor, Pattern, Color	
B4Z Quartered	MLC	MVW	MHM	MMC	MGW	BWT Bone White	C6U Left Seat \$292 C6T Right Seat \$292 C6V Both Seats \$584	H8N/CHLK Fog/Chalk	\$370 PS-62W	 WMLT Wire Management Left \$204 WMRT Wire Management Right \$204	NOTE: A sample of all COM fabrics must be submitted to OFS for preliminary approval prior to shipment of fabric. See ofs.com for COM Ordering Instructions.	NOTE: COM ONLY available in listed options for Surround on Page H.	
	QEC	MVW	MRO	MLC	MHM	CHLK Chalk		H8V/BWT White/Bone White					
	MLC	MNW	OSL	BUW	MRO	SGLD Gold		H8P/BKO Black/Onyx					
	BUW	MGW	PCO	DST	OSL	GRPH Graphite		H8T/HIF Navy/Oiled Bronze					
X9 Laminate	HPL			Paint		MSL Luster Grey	H8Q/CHLK Storm/Chalk H8V/MOSS White/Moss		\$353 PS-100BE PS-100BK PS-100WL				
	MGP	MEP	BLP		BLK	Black							HIP Oiled Bronze
	CMP	BEP	BRP		IRN	Iron							BKO Onyx
	QEP	HNP	FWP		WHT	White							POLR Polar
	CHP	TMP	GRP										SBRZ Soft Bronze
	BUP	COP	RWP										HIF Warm Grey
	DSP	PCP	SGP										Studio Powder Coat \$276
	KDP	QRP	SMP										CADT Cadet
	VMP	STP	SRP										CLOV Clover
	NWP	AQP	WDP										GLDN Goldenrod
													HERN Heron
					LATT Latte								
					MOSS Moss								
					RUSS Russet								
					SUNS Sunset								
					MDNT Midnight								
					PINE Pine								
					TUND Tundra								
					Textured Laminate (10% upcharge) NGP NHP								

HOW TO ORDER

SPECIFY: Grain pattern | top/back finish | leg finish | frame finish | seat power location | seat power finish | table power | wire management | textile pattern/color. See page H for a complete offering of finishes and graded-in fabric options.

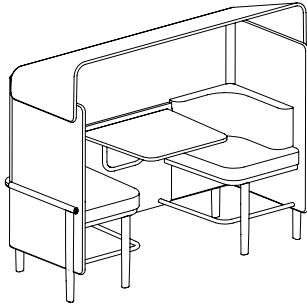
MODEL NUMBER

82-8367RTB

Grain Pattern	Top/Back Finish	Leg Finish	Frame Finish	Seat Power Location	Seat Power Finish	Table Power	Wire Management	Seat Fabric/Grade	Surround Fabric/Grade
B5A	MMC	MMC	BWT	X9	X9	X9	X9	Grade 3, Momentum, Epic, Limestone	Grade 6, Arc-Com, Hush, Mist

TRIPLE WIDTH RETREAT WITH CANOPY

- Molded Plywood Surround and Canopy
- Solid Wood Legs
- Bar Height Workspace
- Powder Coated Steel Frame



model

82-8367RTB-C

w	outside d	h	sw	seat sd	sh	inside back	table height	weight lbs.	cubic feet
83.25	34.5	80.5	20	24	31.25	13.25	29	455	198.5

Surface, Legs, Support, and Rail

\$5,998

yds com (54")	1	2	3	4	5	6	7	8	9	10	11	12	13	14	15	L1	L2	L3	
Seat	3.75	n/a	1,370	1,440	1,528	1,652	1,828	2,005	2,181	2,357	2,534	2,710	2,886	3,063	3,239	3,415	2,067	2,245	2,419
Surround (see page H) COM options are only those noted on Page H for Surround	13.25	n/a	2,429	2,678	2,990	3,426	4,049	4,672	5,295	5,918	6,541	n/a	n/a	n/a	n/a	n/a	n/a	n/a	
Canopy (see page H) COM options are only those noted on Page H for Canopy	6.25	n/a	1,888	2,005	2,152	2,358	2,652	2,946	3,240	3,534	3,828	n/a	n/a	n/a	n/a	n/a	n/a	n/a	

OPTIONS

Grain Pattern	Top/Back Finish	Leg Finish	Frame Finish	Seat Power Location	Seat Power Finish	Table Power	Wire Management	Seat Fabric/Grade	Surround Fabric/Grade	Canopy Fabric/Grade			
B5A Flat Cut	MMC EBY MBM	Veneer	Standard Powder Coat	X9- No Power	X9- No Power	X9- No Power	X9 None	Grade, Vendor, Pattern, Color	Grade, Vendor, Pattern, Color	Grade, Vendor, Pattern, Color			
	MLC MVW MHM										MMC MGW	BWT Bone White	
B4Z Quartered	MMC EBY MHM	Paint	Studio Powder Coat \$276	C6U Left Seat \$292	H8N/CHLK Fog/Chalk	\$370	WMLT Wire Management Left \$204	NOTE: A sample of all COM fabrics must be submitted to OFS for preliminary approval prior to shipment of fabric. See ofs.com for COM Ordering Instructions.	NOTE: COM ONLY available in listed options for Surround on Page H.	NOTE: COM ONLY available in listed options for Canopy on Page H.			
	MLC MVW MRO										BLK Black	H8X/GLDN Honey/Goldenrod	PS-62W
	MLC MNW OSL										IRN Iron	H8V/BWT White/Bone White	
	BUW MGW PCO										WHT White	H8P/BKO Black/Onyx	
DST MBM MGO	Studio Paint \$108	H8T/HIF Navy/Oiled Bronze	C6T Right Seat \$292	H8Q/CHLK Storm/Chalk	PS-100BE	WMRT Wire Management Right \$204							
DST MBM MGO	BLUS Blush	H8V/MOSS White/Moss	C6V Both Seats \$584	H8Q/CHLK Storm/Chalk			PS-100BK						
X9 Laminate	HPL	MDNT Midnight	CADT Cadet	CLOV Clover	GLDN Goldenrod	PS-100WL							
	MGP MEP BLP	PINE Pine	CADT Cadet										
	CMP BEP BRP	TUND Tundra	CADT Cadet										
	QEP HNP FWP		CADT Cadet										
	CHP TMP GRP		CADT Cadet										
	CHP TMP GRP		CADT Cadet										
	CHP TMP GRP		CADT Cadet										
	CHP TMP GRP		CADT Cadet										
	CHP TMP GRP		CADT Cadet										
	CHP TMP GRP		CADT Cadet										
CHP TMP GRP		CADT Cadet											
Textured Laminate (10% upcharge)													
NGP NHP													

HOW TO ORDER

SPECIFY: Grain pattern | top/back finish | leg finish | frame finish | seat power location | seat power finish | table power | wire management | textile pattern/color. See page H for a complete offering of finishes and graded-in fabric options.

MODEL NUMBER

82-8367RTB-C

Grain Pattern	Top/Back Finish	Leg Finish	Frame Finish	Seat Power Location	Seat Power Finish	Table Power	Wire Management	Seat Fabric/Grade	Surround Fabric/Grade	Canopy Fabric/Grade
B5A	MMC	MMC	BWT	X9	X9	X9	X9	Grade 3, Momentum, Epic, Limestone	Grade 6, Arc-Com, Hush, Mist	Grade 6, Arc-Com, Hush, Mist