



carolina
an OFS company

July 2021 Update

Effective July 5, 2021, OFS and Carolina will implement a price increase as outlined below. For the most accurate pricing (options, grades, etc.) please reference your eTools (CET Designer, ProjectMatrix, 2020, etc).

4.5% increase on the OFS portfolio with exceptions below

- 2% increase on Agile, Applause, Genus, Impulse, Intermix, Kasura, Pulse, Range, Rein, Sofy, Staks, Teardrop

4.5% increase on the Carolina portfolio with exceptions below

- 2% increase on Knack, Logique, Mile Marker, Rein+, Reservoir, Theatre, X & O tables
- No increase on Stray physician's stool



ALL STANDARD VENEERS

- OSLO [OSL]
- LINEN [MRO]
- BLONDE [MBM]
- HONEY [MHM]
- DESERT [DST]
- PECAN [PCO]
- ROOT [MNV]
- SIENNA [MLC]
- TOFFEE [MGW]
- MOCHA [MMC]
- STEEL [MGO]
- BURNISHED [BUW]
- EBONY [EBY]

PAINTS

- BLACK [BLK]
- IRON [IRN]
- WHITE [WHT]

STUDIO PAINTS (10%)

Only on Select Products

- BLUSH [BLUS]
- CIDER [CIDR]
- DIJON [DIJO]
- FALLOW [FALO]
- FIDDLE [FDL]
- LILAC [LAC]
- MIDNIGHT [MDNT]
- TUNDRA [TUND]

METAL POWDER COAT COLORS

- BONE WHITE [BWT]
- CHALK [CHLK]
- GOLD [SGLD]
- GRAPHITE [GRPH]
- LUSTER GREY [MSL]
- OILED BRONZE [HIP]
- ONYX [BKO]
- POLAR [POLR]
- SOFT BRONZE [SBRZ]
- STONE [STON]
- WARM GREY [HIF]

SUPER MATTE POWDER COAT

- ION [ION]

STUDIO POWDER COAT (10%)

Only on Select Products

- HERON [HERN]
- LATTE [LATT]
- MOSS [MOSS]
- RUST [RUST]
- TURMERIC [TURM]
- WARM GREY [HIFA]
with Antimicrobial

WOODGRAIN LAMINATES

P = HPL

- OCHRE [TMP]
- LINEN [COP]
- BLONDE [BEP]
- HONEY [HNP]
- KODIAK [KDP]
- DESERT [DSP]
- PECAN [PCP]
- ROOT [NWP]
- SIENNA [CHP]
- TOFFEE [MEP]
- MOCHA [CMP]
- COGNAC [MGP]
- STEEL [STP]
- BURNISHED [BUP]

TEXTURED LAMINATES

- FINN [FNP]
- PEAK [PKP]
- LOFT [LOP]
- DRIFT [DRP]

STUDIO TEXTURED LAMINATES (10%)

- SADDLE [SDP]
- CHAR [CRP]

SOLID COLOR LAMINATES

- FROSTY WHITE [FWP]
- GREY [GRP]
- PURE WHITE [RWP]
- SLATE GREY [SGP]

FABRIC PARTNERS

- **ARC-COM**
www.arc-com.com
- **ARCHITEX**
www.architex-ljh.com
- **CAMIRA**
www.camirafabrics.com
- **CARNEGIE**
www.carnegiefabrics.com
- **C.F. STINSON**
www.cfstinson.com
- **DESIGNTEX**
www.designtex.com
- **GREEN HIDES**
www.greenhides.com
- **HELVETIA LEATHER**
www.helvetialeather.com
- **KVADRAT**
www.kvadrat.dk
- **LUNA**
www.lunatextiles.com
- **MAHARAM**
www.maharam.com
- **MAYER FABRICS**
www.mayerfabrics.com
- **MOMENTUM**
www.themomgroup.com
- **SPRADLING INTERNATIONAL, INC.**
www.spradlingvinyl.com
- **ULTRAFABRICS**
www.ultrafabricsllc.com

FELT/VINYL/POLYURETHANE/ SILICONE PARTNERS

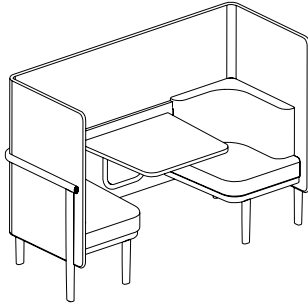
(Surround)

(Canopy approved noted)

- **ARC-COM**
Hush (felt) - Grade 6 (canopy approved)
Majorca (silicone) Grade 8 (canopy approved)
- **CAMIRA**
Aquarius (felt) - Grade 4 (canopy approved)
Blazer (felt) - Grade 5 (canopy approved)
Synergy (felt) - Grade 6 (canopy approved)
- **C.F. STINSON**
Dakota (polyurethane) - Grade 5
Outlander (felt) - Grade 4 (canopy approved)
Ardent (vinyl) - Grade 4
- **DESIGNTEX**
Heather 3473 (felt) - Grade 8 (canopy approved)
- **KVADRAT**
Divina (felt) - Grade 8 (canopy approved)
Divina MD (felt) - Grade 8 (canopy approved)
Divina Melange (felt) - Grade 8 (canopy approved)
Hero (felt) - Grade 5 (canopy approved)
- **MAHARAM**
Apt (polyurethane) - Grade 7
Beck (felt) - Grade 8 (canopy approved)
Gemma (felt) - Grade 9 (canopy approved)
Gemma Multi (felt) - Grade 9 (canopy approved)
- **MOMENTUM**
Felt (felt) - Grade 10 (canopy approved)
Felt Melange (felt) - Grade 10 (canopy approved)
Silica (silicone) - Grade 7 (canopy approved)
- **SPRADLING INTERNATIONAL, INC.**
Silververtex (vinyl) - Grade 4
Whisper (vinyl) - Grade 3 (canopy approved)

TRIPLE WIDTH RETREAT

- Molded Plywood Surround
- Solid Ash Legs when Veneer is specified
- Powder Coated Steel Frame
- Dining Height Workspace
- Solid Beech Legs when Paint is specified



model

82-8353RT

w	outside d	h	sw	seat sd	sh	inside back	table height	weight lbs.	cubic feet
83.25	34.5	53	20	24	19.25	13.25	29	315	198.5

Surface, Legs, Support, and Rail

\$5,403

yds com (54")	com																
1	2	3	4	5	6	7	8	9	10	11	12	13	14	15	L1	L2	L3

Seat

3.75	1,269	1,331	1,401	1,489	1,613	1,789	1,966	2,142	2,318	2,495	2,671	2,847	3,024	3,200	3,376	2,028	2,206	2,380
------	-------	-------	-------	-------	-------	-------	-------	-------	-------	-------	-------	-------	-------	-------	-------	-------	-------	-------

Surround (see page H) COM options are only those noted on Page H for Surround

10	2,153	2,318	2,506	2,741	3,070	3,540	4,010	4,481	4,951	5,421	n/a	n/a	n/a	n/a	n/a	n/a	n/a	n/a
----	-------	-------	-------	-------	-------	-------	-------	-------	-------	-------	-----	-----	-----	-----	-----	-----	-----	-----

OPTIONS

Grain Pattern	Top/Back Finish	Leg Finish	Frame Finish	Seat Power Location	Seat Power Finish	Table Power	Seat Fabric/Grade	Surround Fabric/Grade										
B5A Flat Cut	MBM MLC BUW	Veneer	Standard Powder Coat	X9- No Power	X9- No Power	X9- No Power	Grade, Vendor, Pattern, Color	Grade, Vendor, Pattern, Color										
	MHM MMC EBY																	
B4Z Quartered	OSL PCO MGO	MBM MMC	MRO MGW	C6U Left Seat \$292	H8N/CHLK Fog/Chalk	\$370 PS-62W	NOTE: A sample of all COM fabrics must be submitted to OFS for preliminary approval prior to shipment of fabric. See ofs.com for COM Ordering Instructions.	NOTE: Fabrics ONLY available in listed options for Surround on Page H.										
	MRO MNW BUW																	
	MBM MLC EBY																	
	MHM MGW WDP																	
X9 Laminate	DST MMC	Paint	BLK Black	C6T Right Seat \$292	H8V/BWT White/Bone White	\$353 PS-100BE	(beech shell/clear finish) (dusk braided cord)											
	HPL								IRN Iron	C6V Both Seats \$584	H8T/HIF Navy/Oiled Bronze	PS-100BK	(beech shell/black finish) (black w/ white pinstripe braided cord)					
	TMP CHP FWP								WHIT White					H8N/GRPH Fog/Graphite	PS-100WL	(walnut shell/clear finish) (black w/ white pinstripe braided cord)		
	COP MEP GRP								Super Matte Powder Coats								H8Q/CHLK Storm/Chalk	
	BEP CMP RWP								BLUS Blush									H8V/MOSS White/Moss
	HNP MGP SGP								ION Ion									
	KDP STP SMP								Studio Paint \$108									
	DSP BUP SRP								CIDR Cider									
	PCP AQP WDP								DIJO Dijon									
	NWP BRP								FALO Fallow									
	Textured Laminate								FDL Fiddle									
	FNP PKP LOP DRP								LAC Lilac									
Studio Textured Laminate (10% upcharge)	MDNT Midnight																	
SDP CRP	TUND Tundra																	

HOW TO ORDER

SPECIFY: Grain pattern | top/back finish | leg finish | frame finish | seat power location | seat power finish | table power | textile pattern/color. See page H for a complete offering of finishes and graded-in fabric options.

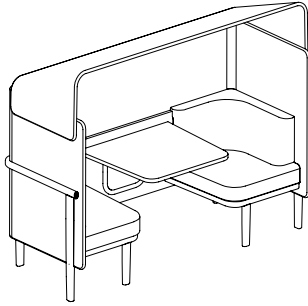
MODEL NUMBER

82-8353RT

Grain Pattern	Top/Back Finish	Leg Finish	Frame Finish	Seat Power Location	Seat Power Finish	Table Power	Seat Fabric/Grade	Surround Fabric/Grade
B5A	MBM	OSL	BWT	X9	X9	X9	Grade 3, Momentum, Epic, Limestone	Grade 6, Arc-Com, Hush, Mist

TRIPLE WIDTH RETREAT WITH CANOPY

- Molded Plywood Surround and Canopy
- Dining Height Workspace
- Solid Ash Legs when Veneer is specified
- Solid Beech Legs when Paint is specified
- Powder Coated Steel Frame



model

82-8353RT-C

w	outside d	h	sw	seat sd	sh	inside back	table height	weight lbs.	cubic feet
83.25	34.5	66.5	20	24	19.25	13.25	29	390	198.5

Surface, Legs, Support, and Rail

\$5,403

yds com (54")	com													L1	L2	L3			
1	2	3	4	5	6	7	8	9	10	11	12	13	14	15	L1	L2	L3		
Seat	3.75	1,269	1,331	1,401	1,489	1,613	1,789	1,966	2,142	2,318	2,495	2,671	2,847	3,024	3,200	3,376	2,028	2,206	2,380
Surround (see page H) COM options are only those noted on Page H for Surround	10	2,153	2,318	2,506	2,741	3,070	3,540	4,010	4,481	4,951	5,421	n/a	n/a	n/a	n/a	n/a	n/a	n/a	n/a
Canopy (see page H) COM options are only those noted on Page H for Canopy	6.25	1,785	1,888	2,005	2,152	2,358	2,652	2,946	3,240	3,534	3,828	n/a	n/a	n/a	n/a	n/a	n/a	n/a	n/a

OPTIONS

Grain Pattern	Top/Back Finish			Leg Finish		Frame Finish		Seat Power Location	Seat Power Finish		Table Power	Seat Fabric/Grade	Surround Fabric/Grade	Canopy Fabric/Grade
B5A Flat Cut	MBM MHM	MLC MMC	BUW EBY	Veneer OSL MRO	MLC MGW	Standard Powder Coat BWT Bone White CHLK Chalk		X9- No Power	X9- No Power		X9- No Power	Grade, Vendor, Pattern, Color	Grade, Vendor, Pattern, Color	Grade, Vendor, Pattern, Color
B4Z Quartered	OSL MRO MBM MHM DST	PCO MNW MLC MGW MMC	MGO BUW EBY	MBM MHM DST PCO MNW	MMC MGO BUW EBY	SGLD Gold GRPH Graphite MSL Luster Grey HIP Oiled Bronze BKO Onyx POLR Polar SBRZ Soft Bronze STON Stone HIF Warm Grey		C6U Left Seat \$292 C6T Right Seat \$292 C6V Both Seats \$584	H8N/CHLK Fog/Chalk H8X/GLDN Honey/Goldenrod H8V/BWT White/Bone White H8P/BKO Black/Onyx H8T/HIF Navy/Oiled Bronze H8N/GRPH Fog/Graphite H8Q/CHLK Storm/Chalk H8V/MOSS White/Moss	\$370 PS-62W \$353 PS-100BE (beech shell/clear finish) (dusk braided cord) PS-100BK (beech shell/black finish) (black w/ white pinstripe braided cord) PS-100WL (walnut shell/clear finish) (black w/ white pinstripe braided cord)	NOTE: A sample of all COM fabrics must be submitted to OFS for preliminary approval prior to shipment of fabric. See ofs.com for COM Ordering Instructions.	NOTE: Fabrics ONLY available in listed options for Surround on Page H.	NOTE: Fabrics ONLY available in listed options for Canopy on Page H.	
X9 Laminate	HPL TMP COP BEP HNP KDP DSP PCP NWP Textured Laminate FNP PKP LOP DRP Studio Textured Laminate (10% upcharge) SDP CRP	CHP MEP CMP MGP STP BUP AQP BRP	FWP GRP RWP SGP SMP SRP WDP	Paint BLK Black IRN Iron WHT White		Super Matte Powder Coats ION Ion								
				Studio Paint \$108 BLUS Blush CIDR Cider DIJO Dijon FALO Fallow FDL Fiddle LAC Lilac MDNT Midnight TUND Tundra		Studio Powder Coat \$276 HERN Heron LATT Latte MOSS Moss RUST Rust TURM Turmeric HIFA Warm Grey								

HOW TO ORDER

SPECIFY: Grain pattern | top/back finish | leg finish | frame finish | seat power location | seat power finish | table power | textile pattern/color. See page H for a complete offering of finishes and graded-in fabric options.

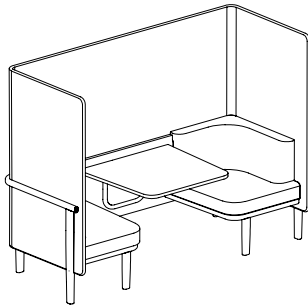
MODEL NUMBER

82-8353RT-C

Grain Pattern	Top/Back Finish	Leg Finish	Frame Finish	Seat Power Location	Seat Power Finish	Table Power	Seat Fabric/Grade	Surround Fabric/Grade	Canopy Fabric/Grade
B5A	MBM	OSL	BWT	X9	X9	X9	Grade 3, Momentum, Epic, Limestone	Grade 6, Arc-Com, Hush, Mist	Grade 6, Arc-Com, Hush, Mist

TRIPLE WIDTH RETREAT

- Molded Plywood Surround
- Dining Height Workspace
- Solid Ash Legs when Veneer is specified
- Solid Beech Legs when Paint is specified
- Powder Coated Steel Frame



model

82-8367RT

w	outside d	h	sw	seat sd	sh	inside back	table height	weight lbs.	cubic feet
83.25	34.5	67	20	24	19.25	13.25	29	355	198.5

Surface, Legs, Support, and Rail

\$5,403

yds com (54")	1	com 2	3	4	5	6	7	8	9	10	11	12	13	14	15	L1	L2	L3
---------------	---	-------	---	---	---	---	---	---	---	----	----	----	----	----	----	----	----	----

Seat	3.75	1,269	1,331	1,401	1,489	1,613	1,789	1,966	2,142	2,318	2,495	2,671	2,847	3,024	3,200	3,376	2,028	2,206	2,380
------	------	-------	-------	-------	-------	-------	-------	-------	-------	-------	-------	-------	-------	-------	-------	-------	-------	-------	-------

Surround (see page H) COM options are only those noted on Page H for Surround

13.25	2,100	2,318	2,567	2,879	3,315	3,938	4,561	5,184	5,807	6,430	n/a	n/a	n/a	n/a	n/a	n/a	n/a	n/a	n/a
-------	-------	-------	-------	-------	-------	-------	-------	-------	-------	-------	-----	-----	-----	-----	-----	-----	-----	-----	-----

OPTIONS

Grain Pattern	Top/Back Finish	Leg Finish	Frame Finish	Seat Power Location	Seat Power Finish	Table Power	Seat Fabric/Grade	Surround Fabric/Grade
B5A Flat Cut	MBM MLC BUW	Veneer	Standard Powder Coat	X9- No Power	X9- No Power	X9- No Power	Grade, Vendor, Pattern, Color	Grade, Vendor, Pattern, Color
	MHM MMC EBY							
B4Z Quartered	OSL PCO MGO	MBM MMC	BWT Bone White	C6U Left Seat \$292	H8N/CHLK Fog/Chalk	\$370	NOTE: A sample of all COM fabrics must be submitted to OFS for preliminary approval prior to shipment of fabric. See ofs.com for COM Ordering Instructions.	NOTE: Fabrics ONLY available in listed options for Surround on Page H.
	MRO MNW BUW							
X9 Laminate	MBM MLC EBY	Paint	SGLD Gold	C6T Right Seat \$292	H8V/BWT White/Bone White	\$353	NOTE: A sample of all COM fabrics must be submitted to OFS for preliminary approval prior to shipment of fabric. See ofs.com for COM Ordering Instructions.	NOTE: Fabrics ONLY available in listed options for Surround on Page H.
	MHM MGO							
X9 Laminate	DST BUW	BLK Black	MSL Luster Grey	C6V Both Seats \$584	H8P/BKO Black/Onyx	\$353	NOTE: A sample of all COM fabrics must be submitted to OFS for preliminary approval prior to shipment of fabric. See ofs.com for COM Ordering Instructions.	NOTE: Fabrics ONLY available in listed options for Surround on Page H.
	MHM MGO							
X9 Laminate	DST EBY	IRN Iron	HIP Oiled Bronze	C6V Both Seats \$584	H8T/HIF Navy/Oiled Bronze	\$353	NOTE: A sample of all COM fabrics must be submitted to OFS for preliminary approval prior to shipment of fabric. See ofs.com for COM Ordering Instructions.	NOTE: Fabrics ONLY available in listed options for Surround on Page H.
	DST MMC							
X9 Laminate	HPL	WHT White	BKO Onyx	C6V Both Seats \$584	H8N/GRPH Fog/Graphite	\$353	NOTE: A sample of all COM fabrics must be submitted to OFS for preliminary approval prior to shipment of fabric. See ofs.com for COM Ordering Instructions.	NOTE: Fabrics ONLY available in listed options for Surround on Page H.
	TMP CHP FWP							
X9 Laminate	COP MEP GRP	Studio Paint \$108	POLR Polar	C6V Both Seats \$584	H8Q/CHLK Storm/Chalk	\$353	NOTE: A sample of all COM fabrics must be submitted to OFS for preliminary approval prior to shipment of fabric. See ofs.com for COM Ordering Instructions.	NOTE: Fabrics ONLY available in listed options for Surround on Page H.
	BEP CMP RWP							
X9 Laminate	HNP MGP SGP	BLUS Blush	SBRZ Soft Bronze	C6V Both Seats \$584	H8V/BWT White/Bone White	\$370	NOTE: A sample of all COM fabrics must be submitted to OFS for preliminary approval prior to shipment of fabric. See ofs.com for COM Ordering Instructions.	NOTE: Fabrics ONLY available in listed options for Surround on Page H.
	KDP STP SMP							
X9 Laminate	DSP BUP SRP	CIDR Cider	STON Stone	C6V Both Seats \$584	H8P/BKO Black/Onyx	\$353	NOTE: A sample of all COM fabrics must be submitted to OFS for preliminary approval prior to shipment of fabric. See ofs.com for COM Ordering Instructions.	NOTE: Fabrics ONLY available in listed options for Surround on Page H.
	PCP AQP WDP							
X9 Laminate	NWP BRP	DIJO Dijon	HIF Warm Grey	C6V Both Seats \$584	H8T/HIF Navy/Oiled Bronze	\$353	NOTE: A sample of all COM fabrics must be submitted to OFS for preliminary approval prior to shipment of fabric. See ofs.com for COM Ordering Instructions.	NOTE: Fabrics ONLY available in listed options for Surround on Page H.
	FNL PKP LOP DRP							
X9 Laminate	Studio Textured Laminate (10% upcharge)	FALO Fallow	Super Matte Powder Coats	C6V Both Seats \$584	H8Q/CHLK Storm/Chalk	\$353	NOTE: A sample of all COM fabrics must be submitted to OFS for preliminary approval prior to shipment of fabric. See ofs.com for COM Ordering Instructions.	NOTE: Fabrics ONLY available in listed options for Surround on Page H.
	SDP CRP							
X9 Laminate	FDL Fiddle	MOSS Moss	ION Ion	C6V Both Seats \$584	H8V/BWT White/Bone White	\$370	NOTE: A sample of all COM fabrics must be submitted to OFS for preliminary approval prior to shipment of fabric. See ofs.com for COM Ordering Instructions.	NOTE: Fabrics ONLY available in listed options for Surround on Page H.
	LAC Lilac							
X9 Laminate	MDNT Midnight	RUST Rust	HERN Heron	C6V Both Seats \$584	H8V/BWT White/Bone White	\$370	NOTE: A sample of all COM fabrics must be submitted to OFS for preliminary approval prior to shipment of fabric. See ofs.com for COM Ordering Instructions.	NOTE: Fabrics ONLY available in listed options for Surround on Page H.
	TUND Tundra							
X9 Laminate		TURM Turmeric	LATT Latte	C6V Both Seats \$584	H8V/BWT White/Bone White	\$370	NOTE: A sample of all COM fabrics must be submitted to OFS for preliminary approval prior to shipment of fabric. See ofs.com for COM Ordering Instructions.	NOTE: Fabrics ONLY available in listed options for Surround on Page H.
X9 Laminate		HIFA Warm Grey	MOSS Moss	C6V Both Seats \$584	H8V/BWT White/Bone White	\$370	NOTE: A sample of all COM fabrics must be submitted to OFS for preliminary approval prior to shipment of fabric. See ofs.com for COM Ordering Instructions.	NOTE: Fabrics ONLY available in listed options for Surround on Page H.

HOW TO ORDER

SPECIFY: Grain pattern | top/back finish | leg finish | frame finish | seat power location | seat power finish | table power | textile pattern/color. See page H for a complete offering of finishes and graded-in fabric options.

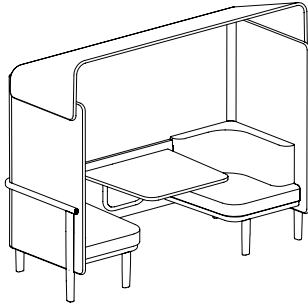
MODEL NUMBER

82-8367RT

Grain Pattern	Top/Back Finish	Leg Finish	Frame Finish	Seat Power Location	Seat Power Finish	Table Power	Seat Fabric/Grade	Surround Fabric/Grade
B5A	MBM	OSL	BWT	X9	X9	X9	Grade 3, Momentum, Epic, Limestone	Grade 6, Arc-Com, Hush, Mist

TRIPLE WIDTH RETREAT WITH CANOPY

- Molded Plywood Surround and Canopy
- Dining Height Workspace
- Solid Ash Legs when Veneer is specified
- Solid Beech Legs when Paint is specified
- Powder Coated Steel Frame



model

82-8367RT-C

w	outside d	h	sw	seat sd	sh	inside back	table height	weight lbs.	cubic feet
83.25	34.5	80.5	20	24	19.25	13.25	29	430	198.5

Surface, Legs, Support, and Rail

\$5,403

yds com (54")	1	2	3	4	5	6	7	8	9	10	11	12	13	14	15	L1	L2	L3
---------------	---	---	---	---	---	---	---	---	---	----	----	----	----	----	----	----	----	----

Seat

3.75	1,269	1,331	1,401	1,489	1,613	1,789	1,966	2,142	2,318	2,495	2,671	2,847	3,024	3,200	3,376	2,028	2,206	2,380
------	-------	-------	-------	-------	-------	-------	-------	-------	-------	-------	-------	-------	-------	-------	-------	-------	-------	-------

Surround (see page H) COM options are only those noted on Page H for Surround

13.25	2,211	2,429	2,678	2,990	3,426	4,049	4,672	5,295	5,918	6,541	n/a	n/a	n/a	n/a	n/a	n/a	n/a	n/a
-------	-------	-------	-------	-------	-------	-------	-------	-------	-------	-------	-----	-----	-----	-----	-----	-----	-----	-----

Canopy (see page H) COM options are only those noted on Page H for Canopy

6.25	1,785	1,888	2,005	2,152	2,946	2,358	2,652	2,946	3,240	3,534	n/a	n/a	n/a	n/a	n/a	n/a	n/a	n/a
------	-------	-------	-------	-------	-------	-------	-------	-------	-------	-------	-----	-----	-----	-----	-----	-----	-----	-----

OPTIONS

Grain Pattern	Top/Back Finish	Leg Finish	Frame Finish	Seat Power Location	Seat Power Finish	Table Power	Seat Fabric/Grade	Surround Fabric/Grade	Canopy Fabric/Grade
B5A Flat Cut	MBM MLC BUW MHM MMC EBY	Veneer OSL MLC MRO MGW	Standard Powder Coat BWT Bone White CHLK Chalk SGLD Gold GRPH Graphite MSL Luster Grey HIP Oiled Bronze BKO Onyx POLR Polar STON Stone HIF Warm Grey	X9- No Power C6U Left Seat C6T Right Seat C6V Both Seats	X9- No Power H8N/CHLK Fog/Chalk H8X/GLDN Honey/Goldenrod H8V/BWT White/Bone White H8P/BKO Black/Onyx H8T/HIF Navy/Oiled Bronze H8N/GRPH Fog/Graphite H8Q/CHLK Storm/Chalk H8V/MOSS White/Moss	X9- No Power \$370 PS-62W \$353 PS-100BE (beech shell/clear finish) (dusk braided cord) PS-100BK (beech shell/black finish) (black w/ white pinstripe braided cord) PS-100WL (walnut shell/clear finish) (black w/ white pinstripe braided cord)	Grade, Vendor, Pattern, Color NOTE: A sample of all COM fabrics must be submitted to OFS for preliminary approval prior to shipment of fabric.	Grade, Vendor, Pattern, Color NOTE: Fabrics ONLY available in listed options for Surround on Page H.	Grade, Vendor, Pattern, Color NOTE: Fabrics ONLY available in listed options for Canopy on Page H.
B4Z Quartered	OSL PCO MGO MRO MNW BUW MBM MLC EBY MHM MGW DST MMC	Paint BLK Black IRN Iron WHT White Studio Paint \$108 BLUS Blush CIDR Cider DIJO Dijon FALO Fallow FDL Fiddle LAC Lilac MDNT Midnight TUND Tundra	Super Matte Powder Coats ION Ion Studio Powder Coat \$276 HERN Heron LATT Latte MOSS Moss RUST Rust TURM Turmeric HIFA Warm Grey						
X9 Laminate	HPL TMP CHP FWP COP MEP GRP BEP CMP RWP HNP MGP SGP KDP STP SMP DSP BUP SRP PCP AQP WDP NWP BRP Textured Laminate FNP PKP LOP DRP Studio Textured Laminate (10% upcharge) SDP CRP								

HOW TO ORDER

SPECIFY: Grain pattern | top/back finish | leg finish | frame finish | seat power location | seat power finish | table power | textile pattern/color. See page H for a complete offering of finishes and graded-in fabric options.

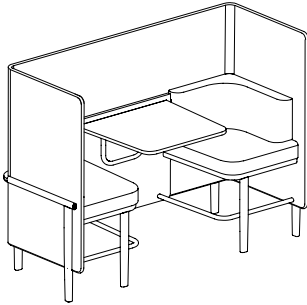
MODEL NUMBER

82-8367RT-C

Grain Pattern	Top/Back Finish	Leg Finish	Frame Finish	Seat Power Location	Seat Power Finish	Table Power	Seat Fabric/Grade	Surround Fabric/Grade	Canopy Fabric/Grade
B5A	MBM	OSL	BWT	X9	X9	X9	Grade 3, Momentum, Epic, Limestone	Grade 6, Arc-Com, Hush, Mist	Grade 6, Arc-Com, Hush, Mist

TRIPLE WIDTH RETREAT

- Molded Plywood Surround
- Solid Ash Legs when Veneer is specified
- Powder Coated Steel Frame
- Bar Height Workspace
- Solid Beech Legs when Paint is specified



model

82-8367RTB

w	outside d	h	sw	seat sd	sh	inside back	table height	weight lbs.	cubic feet
83.25	34.5	67	20	24	31.25	13.25	29	380	198.5

Surface, Legs, Support, and Rail

\$5,998

yds	com																		
com (54")	1	2	3	4	5	6	7	8	9	10	11	12	13	14	15	L1	L2	L3	
Seat	3.75	1,308	1,370	1,440	1,528	1,652	1,828	2,005	2,181	2,357	2,534	2,710	2,886	3,063	3,239	3,415	2,067	2,245	2,419
Surround (see page H) COM options are only those noted on Page H for Surround	13.25	2,211	2,429	2,678	2,990	3,426	4,049	4,672	5,295	5,918	6,541	n/a	n/a	n/a	n/a	n/a	n/a	n/a	n/a

OPTIONS

Grain Pattern	Top/Back Finish	Leg Finish	Frame Finish	Seat Power Location	Seat Power Finish	Table Power	Wire Management	Seat Fabric/Grade	Surround Fabric/Grade
B5A Flat Cut	MBM MLC BUW MHM MMC EBY	Veneer OSL MLC MRO MGW	Standard Powder Coat BWT Bone White CHLK Chalk	X9- No Power	X9- No Power	X9- No Power	 X9 None	Grade, Vendor, Pattern, Color	Grade, Vendor, Pattern, Color
	B4Z Quartered	OSL PCO MGO MRO MNW BUW MBM MLC EBY MHM MGW EBY DST MMC	MBM MMC MHO MGO DST BUW PCO EBY MNW	GRPH Graphite MSL Luster Grey HIP Oiled Bronze BKO Onyx POLR Polar SBRZ Soft Bronze STON Stone HIF Warm Grey	C6U Left Seat \$292 C6T Right Seat \$292 C6V Both Seats \$584	H8N/CHLK Fog/Chalk H8X/GLDN Honey/Goldenrod H8V/BWT White/Bone White H8P/BKO Black/Onyx H8T/HIF Navy/Oiled Bronze H8N/GRPH Fog/Graphite H8Q/CHLK Storm/Chalk H8V/MOSS White/Moss			
X9 Laminate		HPL	Paint BLK Black IRN Iron WHT White	Super Matte Powder Coats ION Ion					
	TMP CHP FWP COP MEP GRP BEP CMP RWP HNP MGP SGP KDP STP SMP DSP BUP SRP PCP AQP WDP NWP BRP	Studio Paint \$108 BLUS Blush CIDR Cider DIJO Dijon FALO Fallow FDL Fiddle LAC Lilac MDNT Midnight TUND Tundra	Studio Powder Coat \$276 HERN Heron LATT Latte MOSS Moss RUST Rust TURM Turmeric HIFA Warm Grey						
	Textured Laminate FNP PKP LOP DRP Studio Textured Laminate (10% upcharge) SDP CRP								

HOW TO ORDER

SPECIFY: Grain pattern | top/back finish | leg finish | frame finish | seat power location | seat power finish | table power | wire management | textile pattern/color. See page H for a complete offering of finishes and graded-in fabric options.

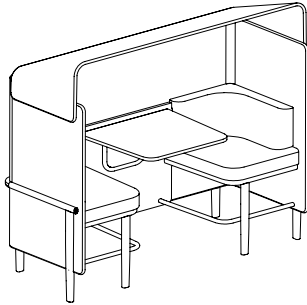
MODEL NUMBER

82-8367RTB

Grain Pattern	Top/Back Finish	Leg Finish	Frame Finish	Seat Power Location	Seat Power Finish	Table Power	Wire Management	Seat Fabric/Grade	Surround Fabric/Grade
B5A	MBM	OSL	BWT	X9	X9	X9	X9	Grade 3, Momentum, Epic, Limestone	Grade 6, Arc-Com, Hush, Mist

TRIPLE WIDTH RETREAT WITH CANOPY

- Molded Plywood Surround and Canopy
- Solid Ash Legs when Veneer is specified
- Powder Coated Steel Frame
- Bar Height Workspace
- Solid Beech Legs when Paint is specified



model

82-8367RTB-C

w	outside d	h	sw	seat sd	sh	inside back	table height	weight lbs.	cubic feet
83.25	34.5	80.5	20	24	31.25	13.25	29	455	198.5

Surface, Legs, Support, and Rail

\$5,998

yds com (54")	1	2	3	4	5	6	7	8	9	10	11	12	13	14	15	L1	L2	L3	
Seat	3.75	1,308	1,370	1,440	1,528	1,652	1,828	2,005	2,181	2,357	2,534	2,710	2,886	3,063	3,239	3,415	2,067	2,245	2,419
Surround (see page H) COM options are only those noted on Page H for Surround	13.25	2,211	2,429	2,678	2,990	3,426	4,049	4,672	5,295	5,918	6,541	n/a	n/a	n/a	n/a	n/a	n/a	n/a	
Canopy (see page H) COM options are only those noted on Page H for Canopy	6.25	1,785	1,888	2,005	2,152	2,358	2,652	2,946	3,240	3,534	3,828	n/a	n/a	n/a	n/a	n/a	n/a	n/a	

OPTIONS

Grain Pattern	Top/Back Finish	Leg Finish	Frame Finish	Seat Power Location	Seat Power Finish	Table Power	Wire Management	Seat Fabric/Grade	Surround Fabric/Grade	Canopy Fabric/Grade
B5A Flat Cut	MBM MLC BUW MHM MMC EBY	Veneer OSL MLC MRO MGW	Standard Powder Coat BWT Bone White CHLK Chalk	X9- No Power	X9- No Power	X9- No Power	X9 None	Grade, Vendor, Pattern, Color	Grade, Vendor, Pattern, Color	Grade, Vendor, Pattern, Color
B4Z Quartered	OSL PCO MGO MRO MNW BUW MBM MLC EBY MHM MGW DST MMC	MBM MMC MRO MGO DST BUW PCO EBY MNW	SGLD Gold GRPH Graphite MSL Luster Grey HIP Oiled Bronze BKO Onyx POLR Polar SBRZ Soft Bronze STON Stone HIF Warm Grey	C6U Left Seat \$292 C6T Right Seat \$292 C6V Both Seats \$584	H8N/CHLK Fog/Chalk H8X/GLDN Honey/Goldenrod H8V/BWT White/Bone White H8P/BKO Black/Onyx H8T/HIF Navy/Oiled Bronze H8N/GRPH Fog/Graphite H8Q/CHLK Storm/Chalk H8V/MOSS White/Moss	\$370 PS-62W \$353 PS-100BE (beech shell/clear finish) PS-100BK (beech shell/black finish) PS-100WL (walnut shell/clear finish)	WMLT Wire Management Left \$204 WMRT Wire Management Right \$204	NOTE: A sample of all COM fabrics must be submitted to OFS for preliminary approval prior to shipment of fabric. See ofs.com for COM Ordering Instructions.	NOTE: Fabrics ONLY available in listed options for Surround on Page H.	NOTE: Fabrics ONLY available in listed options for Canopy on Page H.
X9 Laminate	HPL TMP CHP FWP COP MEP GRP BEP CMP RWP HNP MGP SGP KDP STP SMP DSP BUP SRP PCP AGP WDP NWP BRP Textured Laminate FNP PKP LOP DRP Studio Textured Laminate (10% upcharge) SDP CRP	Paint BLK Black IRN Iron WHT White Studio Paint \$108 BLUS Blush CIDR Cider DIJO Dijon FALO Fallow FDL Fiddle LAC Lilac MDNT Midnight TUND Tundra	Super Matte Powder Coats ION Ion Studio Powder Coat \$276 HERN Heron LATT Latte MOSS Moss RUST Rust TURM Turmeric HIFA Warm Grey							

HOW TO ORDER

SPECIFY: Grain pattern | top/back finish | leg finish | frame finish | seat power location | seat power finish | table power | wire management | textile pattern/color. See page H for a complete offering of finishes and graded-in fabric options.

MODEL NUMBER

82-8367RTB-C

Grain Pattern	Top/Back Finish	Leg Finish	Frame Finish	Seat Power Location	Seat Power Finish	Table Power	Wire Management	Seat Fabric/Grade	Surround Fabric/Grade	Canopy Fabric/Grade
B5A	MBM	OSL	BWT	X9	X9	X9	X9	Grade 3, Momentum, Epic, Limestone	Grade 6, Arc-Com, Hush, Mist	Grade 6, Arc-Com, Hush, Mist