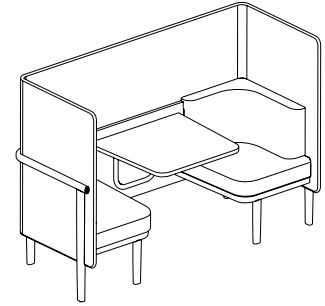


## 82-8353RT

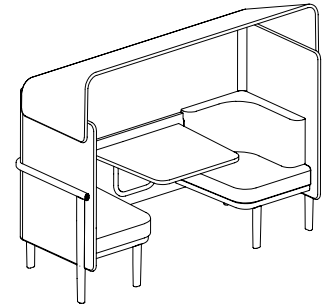
|                           |                         |                   |                                        |
|---------------------------|-------------------------|-------------------|----------------------------------------|
| <b>Overall dimensions</b> | 83.25"w x 34.5"d x 53"h | <b>Weight</b>     | 315 lbs.                               |
| <b>Seat dimensions</b>    | 20"w x 24"d x 19.25"h   | <b>Cubic feet</b> | 198.5                                  |
| <b>Inside back</b>        | 13.25"                  | <b>COM</b>        | 3.75 yds. (Seat)<br>10 yds. (Surround) |
| <b>Table height</b>       | 29"                     |                   |                                        |



| Standard features                                                                                                                                                      | Options                                                                                                                                                                                                                                                   |
|------------------------------------------------------------------------------------------------------------------------------------------------------------------------|-----------------------------------------------------------------------------------------------------------------------------------------------------------------------------------------------------------------------------------------------------------|
| <ul style="list-style-type: none"> <li>Molded plywood surround</li> <li>Solid wood legs</li> <li>Dining height workspace</li> <li>Powder coated steel frame</li> </ul> | <ul style="list-style-type: none"> <li>Top/back available in veneer or HPL</li> <li>Solid wood legs available in veneer or HPL</li> <li>Steel frame in standard or studio powder coats</li> <li>Seat power location</li> <li>Seat power finish</li> </ul> |

## 82-8353RT-C

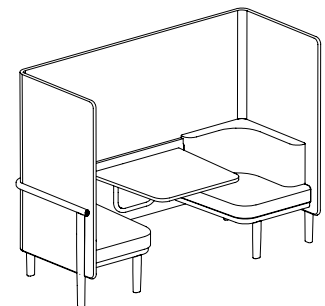
|                           |                           |                   |                                                            |
|---------------------------|---------------------------|-------------------|------------------------------------------------------------|
| <b>Overall dimensions</b> | 83.25"w x 34.5"d x 66.5"h | <b>Weight</b>     | 390 lbs.                                                   |
| <b>Seat dimensions</b>    | 20"w x 24"d x 19.25"h     | <b>Cubic feet</b> | 198.5                                                      |
| <b>Inside back</b>        | 13.25"                    | <b>COM</b>        | 3.75 yds.(Seat)<br>10 yds.(Surround)<br>6.25 yds. (Canopy) |
| <b>Table height</b>       | 29"                       |                   |                                                            |



| Standard features                                                                                                                                                                 | Options                                                                                                                                                                                                                                                   |
|-----------------------------------------------------------------------------------------------------------------------------------------------------------------------------------|-----------------------------------------------------------------------------------------------------------------------------------------------------------------------------------------------------------------------------------------------------------|
| <ul style="list-style-type: none"> <li>Molded plywood surround and canopy</li> <li>Solid wood legs</li> <li>Dining height workspace</li> <li>Powder coated steel frame</li> </ul> | <ul style="list-style-type: none"> <li>Top/back available in veneer or HPL</li> <li>Solid wood legs available in veneer or HPL</li> <li>Steel frame in standard or studio powder coats</li> <li>Seat power location</li> <li>Seat power finish</li> </ul> |

## 82-8367RT

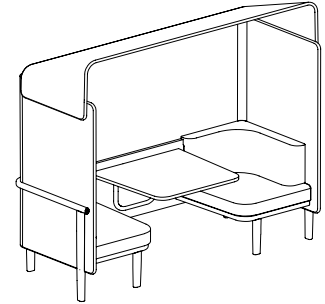
|                           |                         |                   |                                           |
|---------------------------|-------------------------|-------------------|-------------------------------------------|
| <b>Overall dimensions</b> | 83.25"w x 34.5"d x 67"h | <b>Weight</b>     | 355 lbs.                                  |
| <b>Seat dimensions</b>    | 20"w x 24"d x 19.25"h   | <b>Cubic feet</b> | 198.5                                     |
| <b>Inside back</b>        | 13.25"                  | <b>COM</b>        | 3.75 yds. (Seat)<br>13.25 yds. (Surround) |
| <b>Table height</b>       | 29"                     |                   |                                           |



| Standard features                                                                                                                                                      | Options                                                                                                                                                                                                                                                   |
|------------------------------------------------------------------------------------------------------------------------------------------------------------------------|-----------------------------------------------------------------------------------------------------------------------------------------------------------------------------------------------------------------------------------------------------------|
| <ul style="list-style-type: none"> <li>Molded plywood surround</li> <li>Solid wood legs</li> <li>Dining height workspace</li> <li>Powder coated steel frame</li> </ul> | <ul style="list-style-type: none"> <li>Top/back available in veneer or HPL</li> <li>Solid wood legs available in veneer or HPL</li> <li>Steel frame in standard or studio powder coats</li> <li>Seat power location</li> <li>Seat power finish</li> </ul> |

## 82-8367RT-C

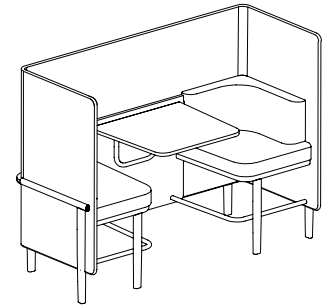
|                           |                           |                   |                                                                |
|---------------------------|---------------------------|-------------------|----------------------------------------------------------------|
| <b>Overall dimensions</b> | 83.25"w x 34.5"d x 80.5"h | <b>Weight</b>     | 430 lbs.                                                       |
| <b>Seat dimensions</b>    | 20"w x 24"d x 19.25"h     | <b>Cubic feet</b> | 198.5                                                          |
| <b>Inside back</b>        | 13.25"                    | <b>COM</b>        | 3.75 yds. (Seat)<br>13.25 yds.(Surround)<br>6.25 yds. (Canopy) |
| <b>Table height</b>       | 29"                       |                   |                                                                |



| Standard features                                                                                                                                                                 | Options                                                                                                                                                                                                                                                                        |
|-----------------------------------------------------------------------------------------------------------------------------------------------------------------------------------|--------------------------------------------------------------------------------------------------------------------------------------------------------------------------------------------------------------------------------------------------------------------------------|
| <ul style="list-style-type: none"> <li>Molded plywood surround and canopy</li> <li>Solid wood legs</li> <li>Dining height workspace</li> <li>Powder coated steel frame</li> </ul> | <ul style="list-style-type: none"> <li>Top/back available in veneer or HPL</li> <li>Solid wood legs available in veneer or HPL</li> <li>Steel frame in standard or studio powder coats</li> <li>Seat power location</li> <li>Seat power finish</li> <li>Table power</li> </ul> |

## 82-8367RTB

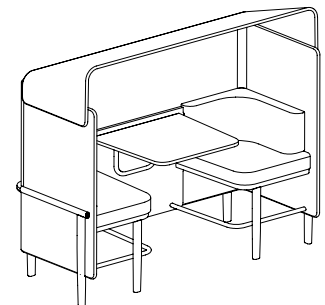
|                           |                         |                   |                                           |
|---------------------------|-------------------------|-------------------|-------------------------------------------|
| <b>Overall dimensions</b> | 83.25"w x 34.5"d x 67"h | <b>Weight</b>     | 380 lbs.                                  |
| <b>Seat dimensions</b>    | 20"w x 24"d x 19.25"h   | <b>Cubic feet</b> | 198.5                                     |
| <b>Inside back</b>        | 13.25"                  | <b>COM</b>        | 3.75 yds. (Seat)<br>13.25 yds. (Surround) |
| <b>Table height</b>       | 29"                     |                   |                                           |



| Standard features                                                                                                                                                   | Options                                                                                                                                                                                                                                                                                                                |
|---------------------------------------------------------------------------------------------------------------------------------------------------------------------|------------------------------------------------------------------------------------------------------------------------------------------------------------------------------------------------------------------------------------------------------------------------------------------------------------------------|
| <ul style="list-style-type: none"> <li>Molded plywood surround</li> <li>Solid wood legs</li> <li>Bar height workspace</li> <li>Powder coated steel frame</li> </ul> | <ul style="list-style-type: none"> <li>Top/back available in veneer or HPL</li> <li>Solid wood legs available in veneer or HPL</li> <li>Steel frame in standard or studio powder coats</li> <li>Seat power location</li> <li>Seat power finish</li> <li>Table power</li> <li>Wire management: left or right</li> </ul> |

## 82-8367RTB-C

|                           |                           |                   |                                                                 |
|---------------------------|---------------------------|-------------------|-----------------------------------------------------------------|
| <b>Overall dimensions</b> | 83.25"w x 34.5"d x 80.5"h | <b>Weight</b>     | 455 lbs.                                                        |
| <b>Seat dimensions</b>    | 20"w x 24"d x 19.25"h     | <b>Cubic feet</b> | 198.5                                                           |
| <b>Inside back</b>        | 13.25"                    | <b>COM</b>        | 3.75 yds. (Seat)<br>13.25 yds. (Surround)<br>6.25 yds. (Canopy) |
| <b>Table height</b>       | 29"                       |                   |                                                                 |



| Standard features                                                                                                                                                                | Options                                                                                                                                                                                                                                                                                                                |
|----------------------------------------------------------------------------------------------------------------------------------------------------------------------------------|------------------------------------------------------------------------------------------------------------------------------------------------------------------------------------------------------------------------------------------------------------------------------------------------------------------------|
| <ul style="list-style-type: none"> <li>Molded plywood surround and canopy</li> <li>Solid wood lets</li> <li>Powder coated steel frame</li> <li>Bar height worksurface</li> </ul> | <ul style="list-style-type: none"> <li>Top/back available in veneer or HPL</li> <li>Solid wood legs available in veneer or HPL</li> <li>Steel frame in standard or studio powder coats</li> <li>Seat power location</li> <li>Seat power finish</li> <li>Table power</li> <li>Wire management: left or right</li> </ul> |



---

## Standard finish selection

---

<https://ofs.com/resources/finishes>  
<https://ofs.com/resources/textiles>

---

## Surrounds

---

- ¾" thick molded plywood surround and canopy
- Concealed interlocking fastener construction
- Powder coated steel frame fastened with mechanical screws

---

## Worksurface

---

- 1 ¼" thick, 24" deep particle board core faced with veneer or HPL
- L Bracket construction fastened with mechanical and wood screws

---

## Seating

---

- Powder coated steel seat frame
- Plywood frame seat back

---

## Legs

---

- Solid Ash legs in veneer or Beech legs in standard/studio paint
- Non-marring adjustable glides
- Concealed interlocking fastener construction

---

## Foot rail

---

- Powder coated steel foot rail fastened with mechanical screws

---

## Wire manager

---

- Optional ½" thick MDF core panel faced with veneer or HPL
- Concealed interlocking fastener construction

---

## Configurations

---

- Available in two surround heights (53" & 67")
- Available in one width (Triple: 82")
- Available in two seating/table heights (Dining: 29" table height/ 19.25" seating height & Bar: 42" table height/ 31.25" seating height)

---

## Carton/packaging

---

- Unit is packed in a carton. A cardboard edge protector is placed around the edges of the unit.