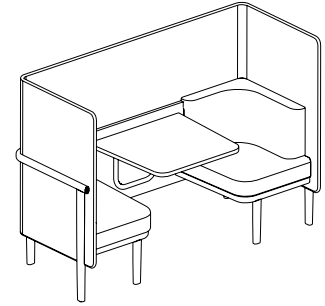


82-8353RT

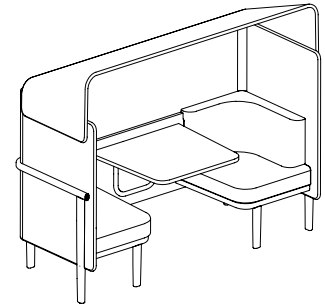
Overall dimensions	83.25"w x 34.5"d x 53"h	Weight	315 lbs.
Seat dimensions	20"w x 24"d x 19.25"h	Cubic feet	198.5
Inside back	13.25"	COM	3.75 yds. (Seat) 10 yds. (Surround)
Table height	29"		



Standard features	Options
<ul style="list-style-type: none"> Molded plywood surround Solid wood legs Dining height workspace Powder coated steel frame 	<ul style="list-style-type: none"> Top/back available in veneer or HPL Solid wood legs available in veneer or paints Steel frame in standard or studio powder coats Seat power location Seat power finish

82-8353RT-C

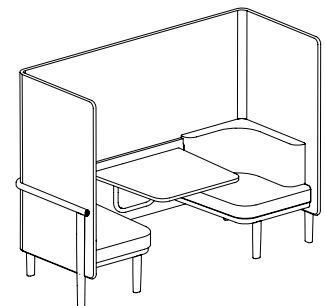
Overall dimensions	83.25"w x 34.5"d x 66.5"h	Weight	390 lbs.
Seat dimensions	20"w x 24"d x 19.25"h	Cubic feet	198.5
Inside back	13.25"	COM	3.75 yds.(Seat) 10 yds.(Surround) 6.25 yds. (Canopy)
Table height	29"		



Standard features	Options
<ul style="list-style-type: none"> Molded plywood surround and canopy Solid wood legs Dining height workspace Powder coated steel frame 	<ul style="list-style-type: none"> Top/back available in veneer or HPL Solid wood legs available in veneer or paints Steel frame in standard or studio powder coats Seat power location Seat power finish

82-8367RT

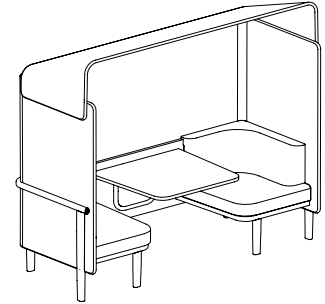
Overall dimensions	83.25"w x 34.5"d x 67"h	Weight	355 lbs.
Seat dimensions	20"w x 24"d x 19.25"h	Cubic feet	198.5
Inside back	13.25"	COM	3.75 yds. (Seat) 13.25 yds. (Surround)
Table height	29"		



Standard features	Options
<ul style="list-style-type: none"> Molded plywood surround Solid wood legs Dining height workspace Powder coated steel frame 	<ul style="list-style-type: none"> Top/back available in veneer or HPL Solid wood legs available in veneer or paints Steel frame in standard or studio powder coats Seat power location Seat power finish

82-8367RT-C

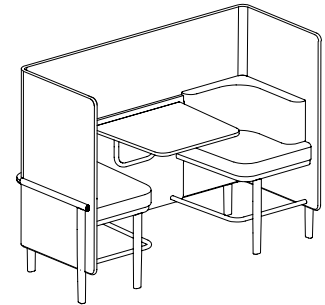
Overall dimensions	83.25"w x 34.5"d x 80.5"h	Weight	430 lbs.
Seat dimensions	20"w x 24"d x 19.25"h	Cubic feet	198.5
Inside back	13.25"	COM	3.75 yds. (Seat) 13.25 yds.(Surround) 6.25 yds. (Canopy)
Table height	29"		



Standard features	Options
<ul style="list-style-type: none"> Molded plywood surround and canopy Solid wood legs Dining height workspace Powder coated steel frame 	<ul style="list-style-type: none"> Top/back available in veneer or HPL Solid wood legs available in veneer or paints Steel frame in standard or studio powder coats Seat power location Seat power finish Table power

82-8367RTB

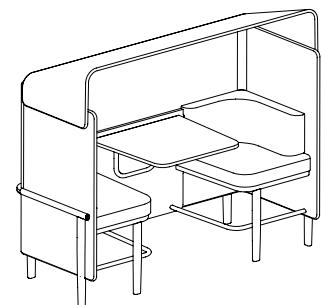
Overall dimensions	83.25"w x 34.5"d x 67"h	Weight	380 lbs.
Seat dimensions	20"w x 24"d x 19.25"h	Cubic feet	198.5
Inside back	13.25"	COM	3.75 yds. (Seat) 13.25 yds. (Surround)
Table height	29"		



Standard features	Options
<ul style="list-style-type: none"> Molded plywood surround Solid wood legs Bar height workspace Powder coated steel frame 	<ul style="list-style-type: none"> Top/back available in veneer or HPL Solid wood legs available in veneer or paints Steel frame in standard or studio powder coats Seat power location Seat power finish Table power Wire management: left or right

82-8367RTB-C

Overall dimensions	83.25"w x 34.5"d x 80.5"h	Weight	455 lbs.
Seat dimensions	20"w x 24"d x 19.25"h	Cubic feet	198.5
Inside back	13.25"	COM	3.75 yds. (Seat) 13.25 yds. (Surround) 6.25 yds. (Canopy)
Table height	29"		



Standard features	Options
<ul style="list-style-type: none"> Molded plywood surround and canopy Solid wood lets Powder coated steel frame Bar height worksurface 	<ul style="list-style-type: none"> Top/back available in veneer or HPL Solid wood legs available in veneer or paints Steel frame in standard or studio powder coats Seat power location Seat power finish Table power Wire management: left or right



Standard finish selection

<https://ofs.com/resources/finishes>
<https://ofs.com/resources/textiles>

Surrounds

- ¾" thick molded plywood surround and canopy
- Concealed interlocking fastener construction
- Powder coated steel frame fastened with mechanical screws

Worksurface

- 1 ¼" thick, 24" deep particle board core faced with veneer or HPL
- L Bracket construction fastened with mechanical and wood screws

Seating

- Powder coated steel seat frame
- Plywood frame seat back

Legs

- Solid Ash legs in veneer or Beech legs in standard/studio paint
- Non-marring adjustable glides
- Concealed interlocking fastener construction

Foot rail

- Powder coated steel foot rail fastened with mechanical screws

Wire manager

- Optional ½" thick MDF core panel faced with veneer or HPL
- Concealed interlocking fastener construction

Configurations

- Available in two surround heights (53" & 67")
- Available in one width (Triple: 82")
- Available in two seating/table heights (Dining: 29" table height/ 19.25" seating height & Bar: 42" table height/ 31.25" seating height)

Carton/packaging

- Unit is packed in a carton. A cardboard edge protector is placed around the edges of the unit.