



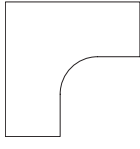
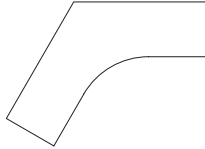


Edge	Pulls	
 Square	 Parallel	 Bow
Worksurfaces		
 Rectangle	 Quad	 Tri

Standard Finish Selection

<http://ofs.com/resources/finishes>

Worksurfaces

- Tops are 1.125" thick for TFL
- Tops are 1.162" thick for Veneer
- TFL worksurfaces are thermally-fused with a 3mm polypropylene edge
- Durable scratch resistant matte finish on all units

Wire Management

- Wire baskets available to conceal wires under the surface
- Adjustable height wire manager attaches to undersides of worksurface
- Table to table connection attaches to underside of worksurface at each end

Metal Bases

- Deuce bases
 - 29" Static Deuce base
- Pneumatic or electric height adjustability
- Pneumatic or electric height adjustable bases made of steel
- Square leg is a three stage leg and rectangular leg is a two stage
- Three memory positions on the height adjustable
- Pneumatic or electric height adjustability rectangular tops
 - Pneumatic with flat glide 27.25-46"h
 - Pneumatic with tubular glide 28.25-47"h
 - Electrical rectangular with flat glide 28-47.625"h
 - Electrical rectangular with tubular glide 29-48.625"h
 - Electrical square with flat glide 22.75-48.75"h
 - Electrical square with tubular glide 23.75-49.75"h
 - Pneumatic with flat caster 29.25-48"h
 - Pneumatic with tubular caster 30.25-49"h
 - Electrical rectangular with flat caster 30-49.625"h
 - Electrical rectangular with tubular caster 31-50.625"h
 - Electrical square with flat caster 24.75-50.75"h
 - Electrical square with tubular caster 25.75-51.75"h
- Electric height adjustability quad and tri cluster tops
 - Electrical rectangular with flat glide 28-47.625"h
 - Electrical rectangular with tubular glide 29-48.625"h
 - Electrical square with flat glide 22.75-48.75"h
 - Electrical square with tubular glide 23.75-49.75"h
 - Electrical rectangular with flat caster 30-49.625"h
 - Electrical rectangular with tubular caster 31-50.625"h
 - Electrical square with flat caster 24.75-50.75"h
 - Electrical square with tubular caster 25.75-51.75"h

Edge Modesties

- Worksurface edge modesty panel
 - Frosted acrylic
 - Fabric
 - TFL woodgrain or solid color
- Worksurface edge modesty with tackboard
 - TFL woodgrain or solid color
- Worksurface edge modesty with tackboard and toolrail
 - TFL woodgrain or solid color



Electrical

- Several power supply combination options
- A modular single circuit system is available

Drawers

- Maple-grained engineered composite wood material with mitered corners provides excellent strength and durability and a consistent feel and appearance

File Drawers

- File drawers have full extension with overtravel and progressive action slides with steel ball bearing suspensions
- They accommodate letter or legal filing

Locking

- Standard non-locking
- Locking options are available at an upcharge

Edge and Pulls

- | | |
|-------|---|
| Edge | <ul style="list-style-type: none">• Square |
| Pulls | <ul style="list-style-type: none">• Options - Parallel or Bow |

Features

- SCS Indoor Advantage Gold Certified
- 12 Year Warranty