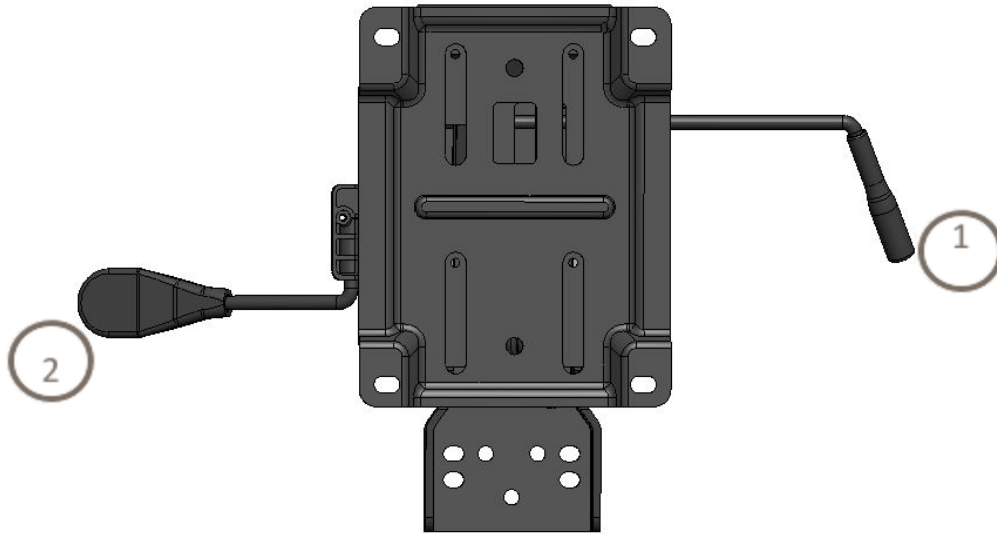


Sladr mechanism with optional seat slider operating instructions



Top view (as seated)

- ① **Seat height adjustment:**
Lift tab up to adjust seat height

- ② **Seat slider adjustment (optional):**
Lift the lever to allow the seat to slide, release the lever to lock the seat in place