

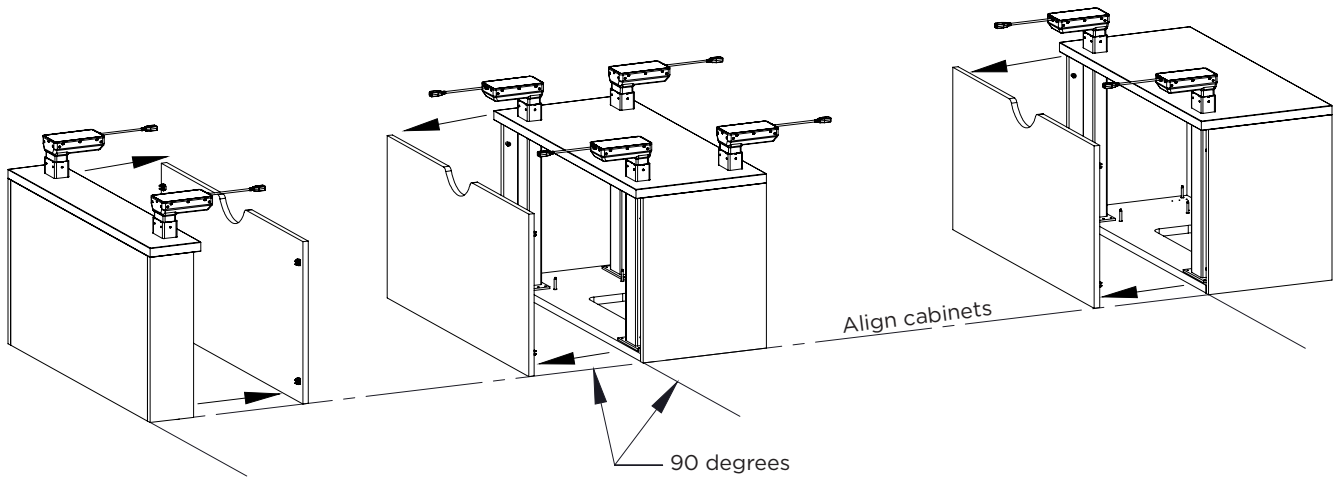
## Staks height adjustable benching assembly

---



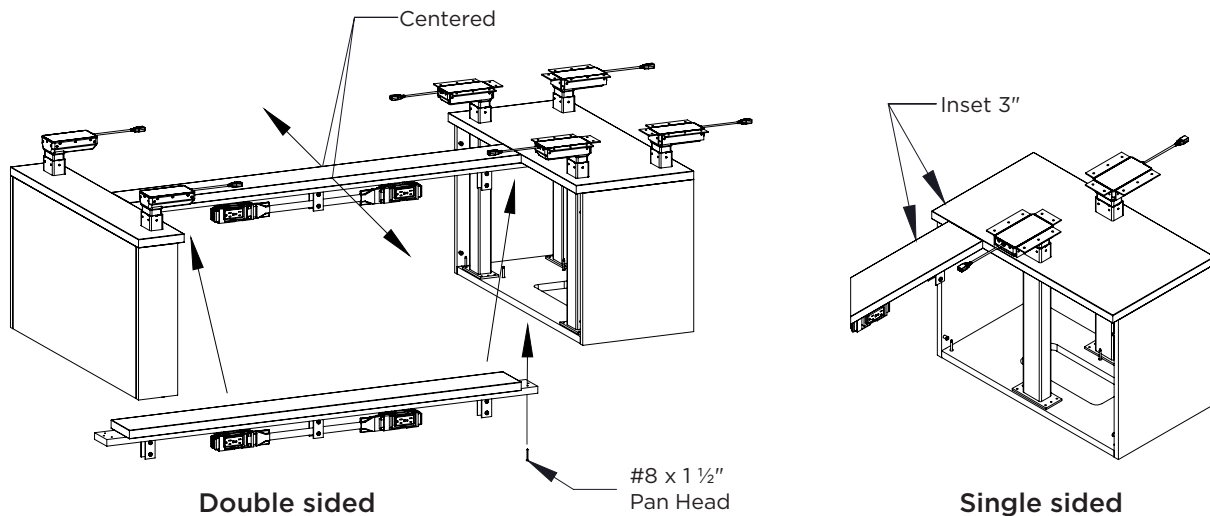
## Pedestal placement

1. Place cabinets in final desired location. Check for alignment and make sure cabinets are square. **Cabinets should not be moved after assembly is complete.** Moving components after assembly can cause lifting columns to bind and cease function.
2. Remove front panels from cabinets.



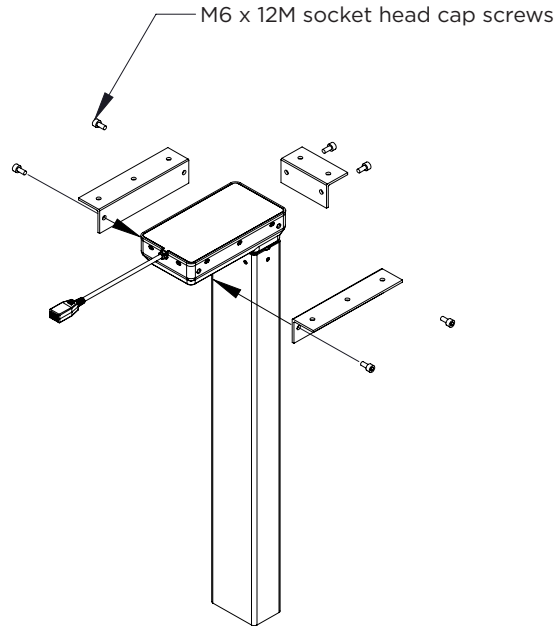
## Attach cross bars

1. Position cross bars and attach with #8 x 1 1/2" pan head screws (HK-15). Cross bars should be centered on double sided configuration and 3" from the back of single sided configuration.



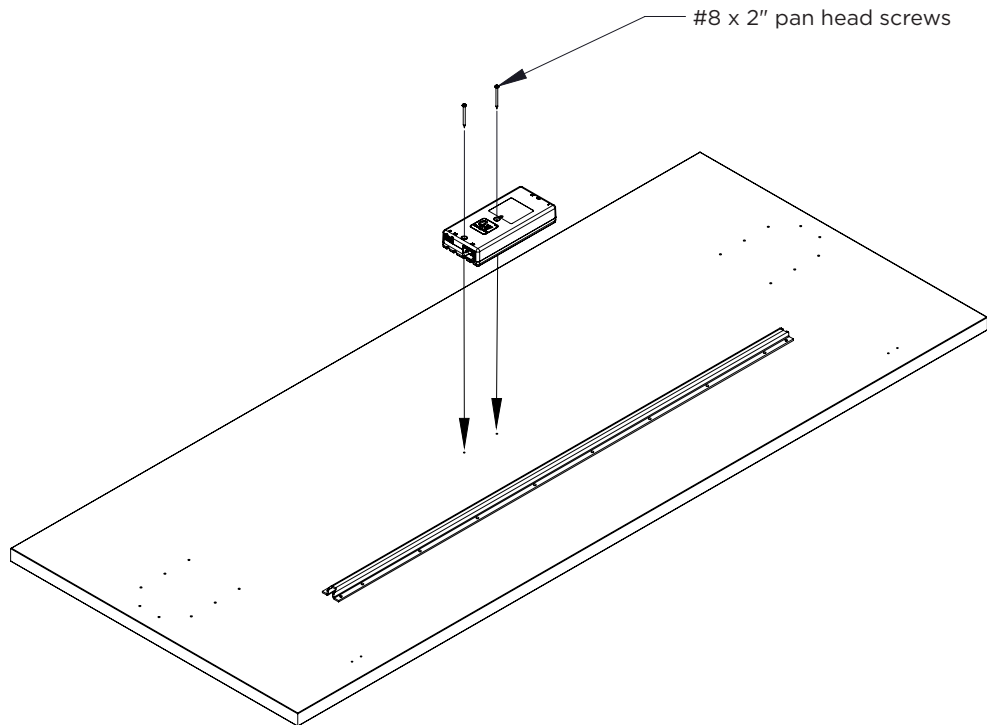
## Column assembly

1. Attach L-brackets to motor housings using (6) M6 x 12MM socket head cap screws.



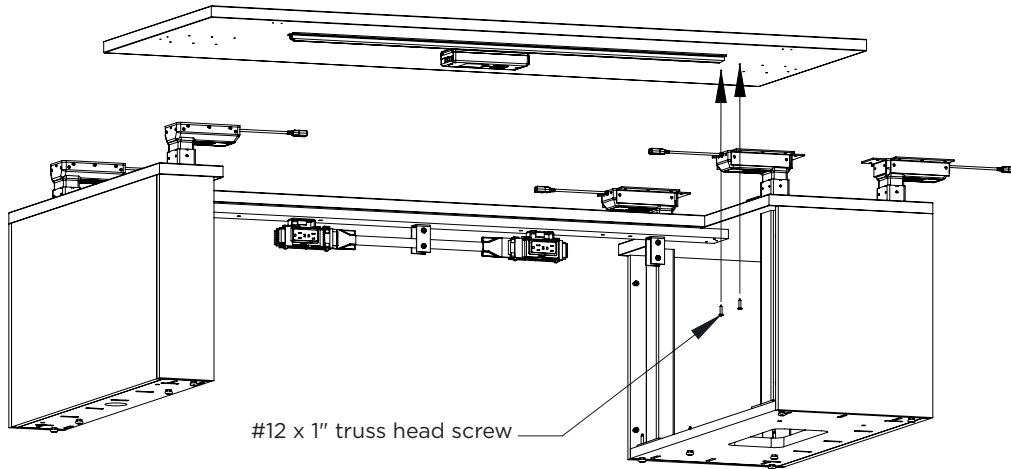
## Attach control box

1. Align holes in control box with pre-drilled holes on underside of work surface.
2. Attach using (2) #8 x 2" pan head screws (HK-92).



## Install work surfaces

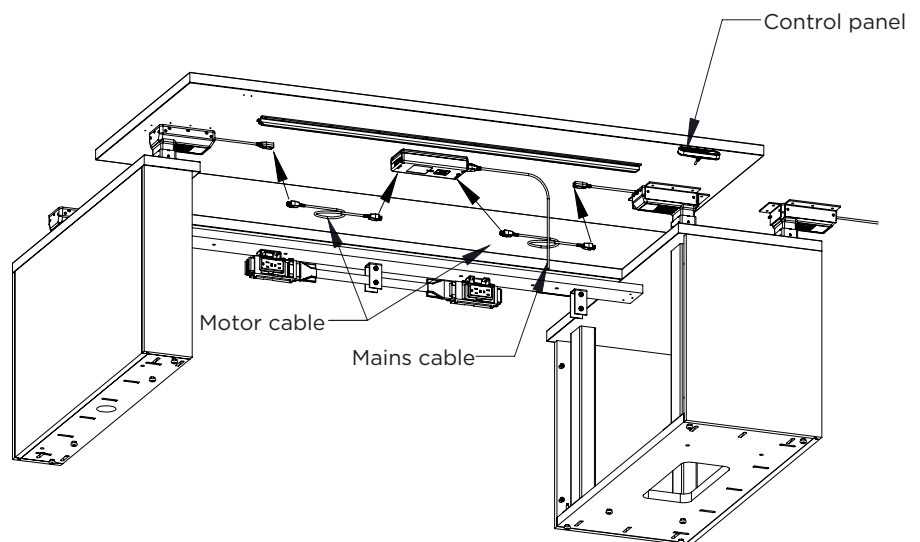
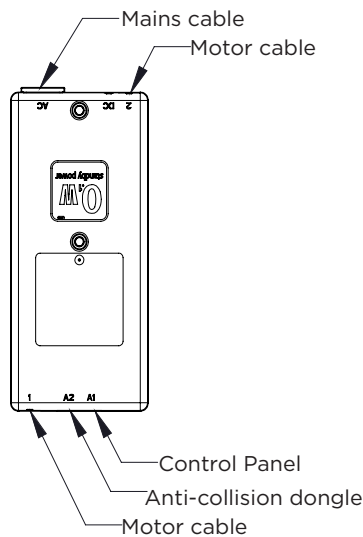
1. Place work surfaces on columns and align pre-drilled holes with holes on L-brackets.
2. Use #12 x 1" truss head screws in all holes that are accessible to secure work surfaces (HK-98).
3. Remaining screws will be installed later.



## Install cables

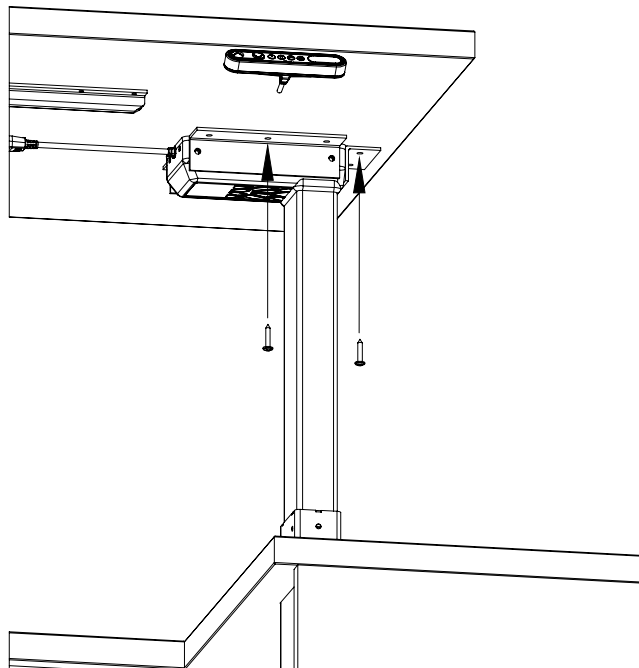
1. Snap together motor cable ends and leg cables.
2. Plug the other ends of the motor cable into the control box.
3. Plug the control panel and anti-collision dongle into the control box.
4. Plug main cable into control box.
5. Use plastic cord clips to secure cables.

### Control box



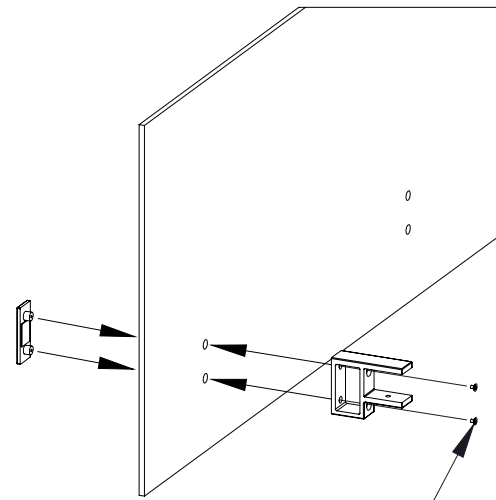
**Raised work surfaces**

1. Plug mains cable into 120V outlet to power up the system.
2. Press the up arrow on the control panel and raise the work surface to top position.
3. Screw in remaining #12 x 1" pan head screws that were inaccessible before.

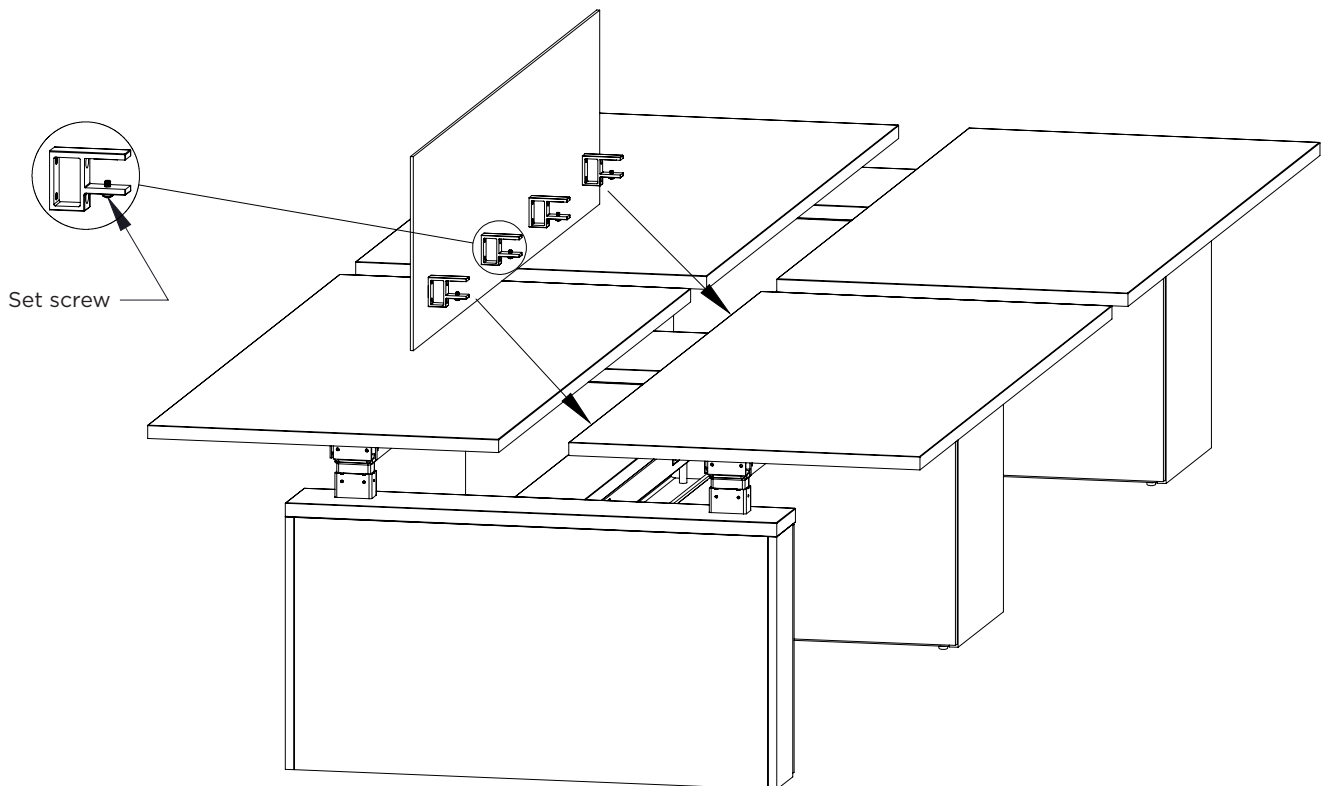


## Edge modesty installation

1. Assemble bracket by screwing cap to bracket using (2) 6-32 x 5/8" Phillips flat head bolts.
2. Slide brackets on to back edge of work surface.
3. Center modesty panel on work surface end to end and secure by tightening set screws.



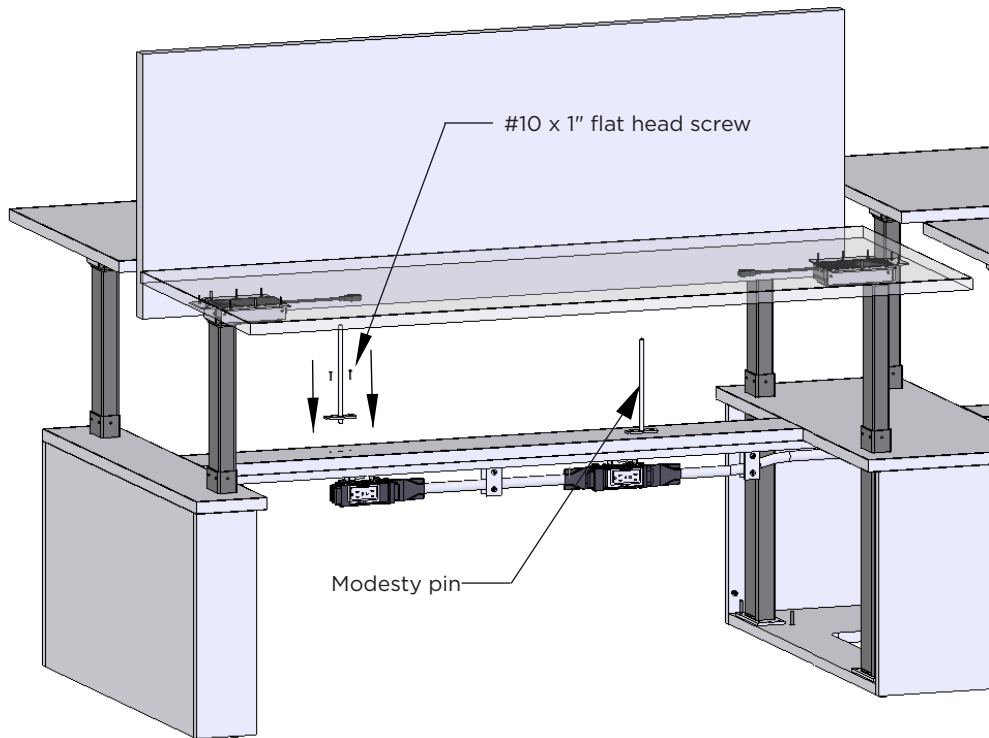
6-32 x 5/8" Phillips flat head bolt



Set screw

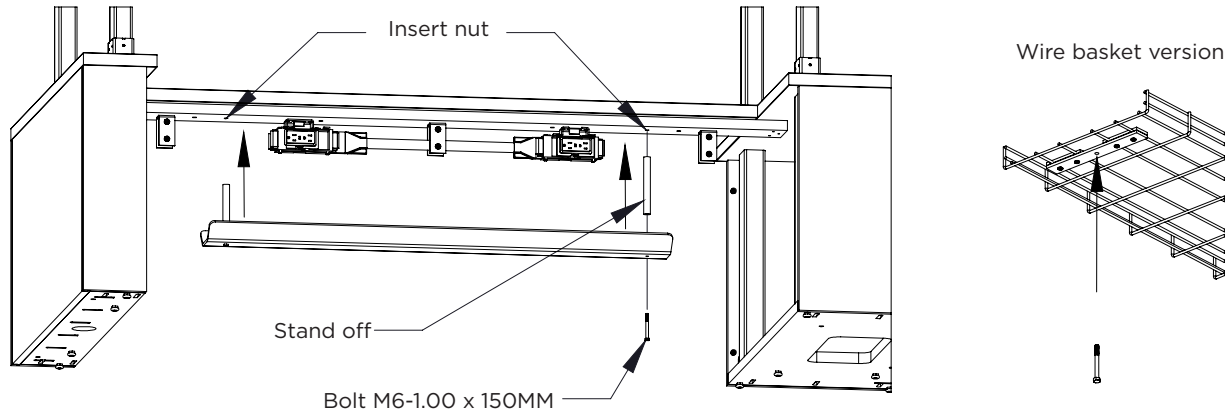
**Rail modesty installation**

1. Attach modesty pins to cross rail by inserting pin into pre-drilled hole and secure with (2) #10 x 1" flat head screws per pin (HK-118).
2. Align holes in bottom of modesty panel with pins and slide down until seated on rail.



## Cable basket installation

1. Install cable basket by inserting bolt through hole in cable basket and through stand off.
2. Thread bolt into insert nut on the bottom of the cross rail support and tighten.



## Jumper and infeed installation

1. Install jumpers between cross rails by snapping jumper ends into power blocks.
2. Install infeed by snapping into power block.
3. Infeed can be installed in any power block in the sequence.
4. Reinstall front panels on pedestals.

