

Vide storage assembly

---

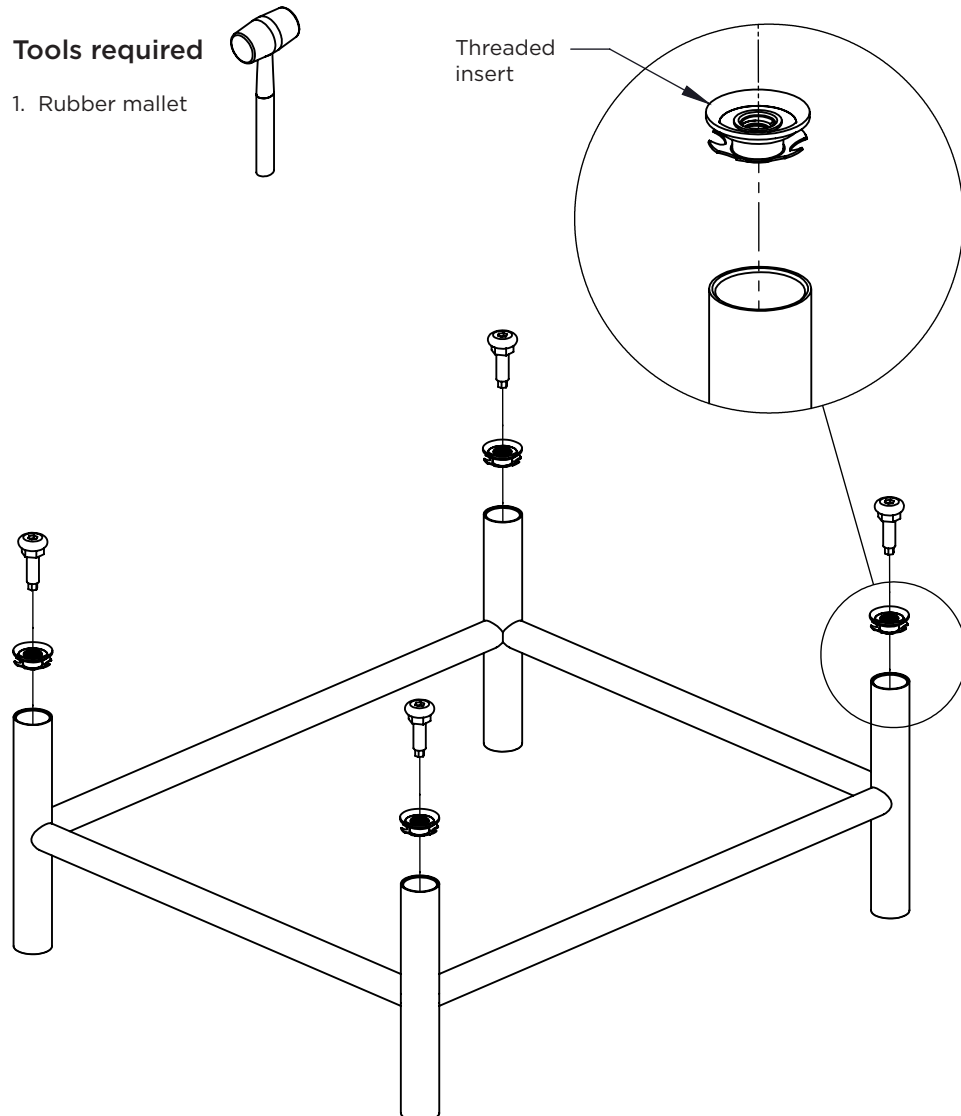


**Adjustable leveler installation**

1. This sheet covers the necessary steps to install adjustable levelers onto a base storage frame.

First, determine which end of the frame will be chosen as the bottom side and face the floor. Next, using a rubber mallet, beat the barbed end of the threaded insert into the end of the tube and continue striking until the insert has been fully seated into the tube.

2. Thread the levelers into the insert completely and flip the frame over. The frame can now be placed into it's desired location and leveled as necessary.



**Stacking frame assembly**

1. This sheet covers the necessary steps to stack storage frames on top of one another.

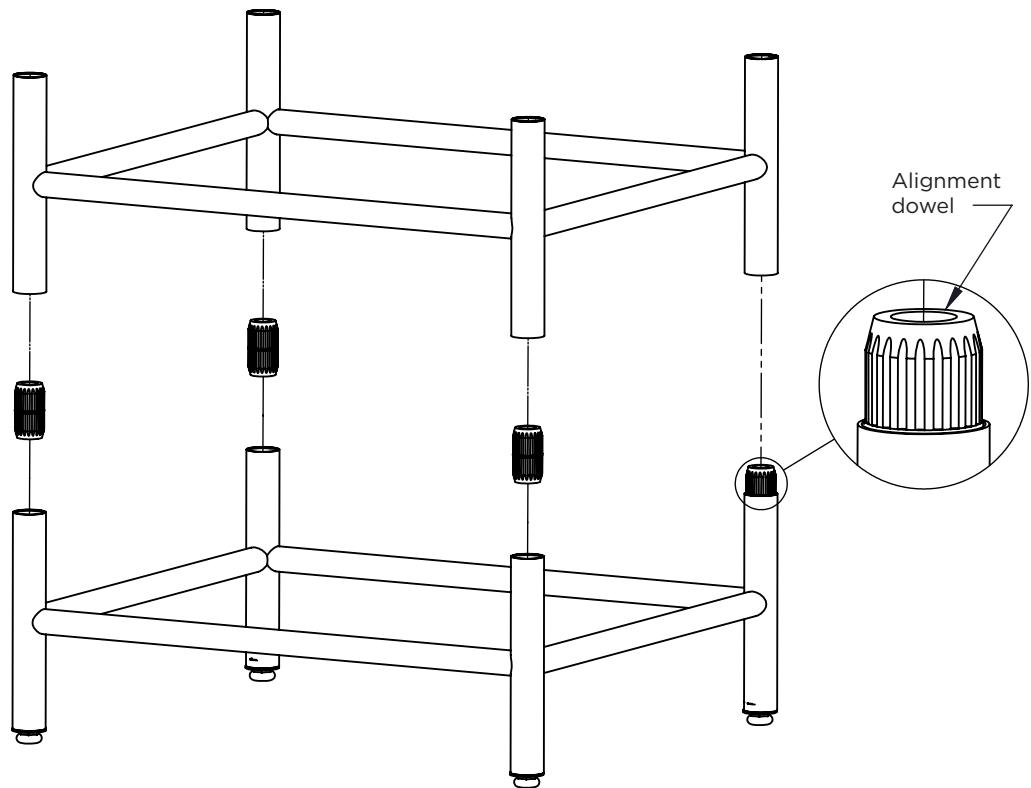
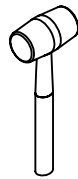
Begin by verifying that the base storage frame has been leveled and placed in it's final resting position. Next, using a rubber mallet, beat the alignment dowel into the vertical post until the center ring of the dowel has reached the edge of the tube as shown above. The center ring acts as a "stop" and prevents the dowel from being inserted too far into the post. Repeat for the remaining three alignment dowels.

2. The stacking frame can now be positioned onto the dowels. Using the rubber mallet, lightly strike the top of each vertical post until the frame is fully seated and the joints have been tightly closed.

**NOTE:** The posts will produce an audible "ping" once true frame to frame contact has been made, therefore verifying the frame has been fully seated. Repeat the steps above for any additional frames that will be stacked upon.

**Tools required**

1. Rubber mallet



**Top cap installation**

1. This sheet covers the necessary steps to install top caps onto a stackable storage frame.

First, determine which end of the frame will be chosen as the top side and face upward. Next, using a rubber mallet, beat the barbed end of the cap into the end of the tube and continue striking until the cap has been fully seated into the tube. The frame can now be stacked at the top of the storage frame configuration.

**NOTE:** The top caps are included with the base storage frame units.

