

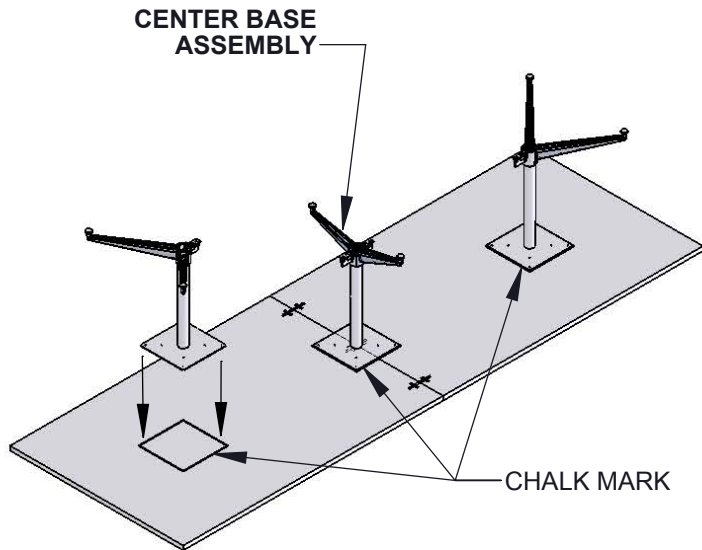
intermix

DEUCE CONFERENCE TABLE
assembly instructions



intermix

DEUCE CONFERENCE TABLE assembly instructions



STEP ONE:

Place conference work surface bottom side up on a non-marring surface.

On 2 piece tops, pull both halves together so there is no gap between them, and the edges are flush.

Do not fasten work surfaces together at this time.

Place bases near chalk marks and orient them as shown.

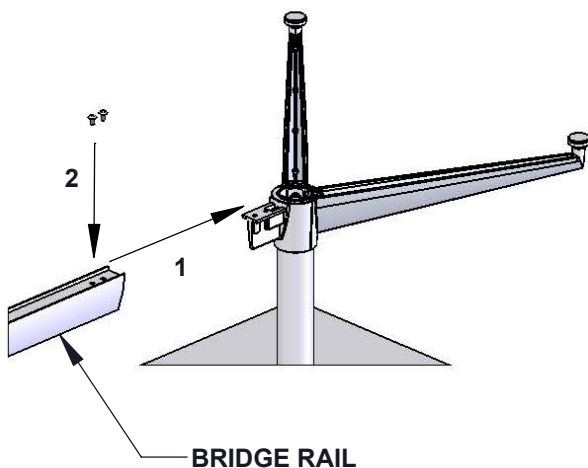
Larger tables will use one or two center base assemblies.

STEP TWO:

Slide bridge rail onto the hub collars of base assemblies.

Attach in place by using two (2) 1/2" phillips machine screws on each end of the bridge rail.

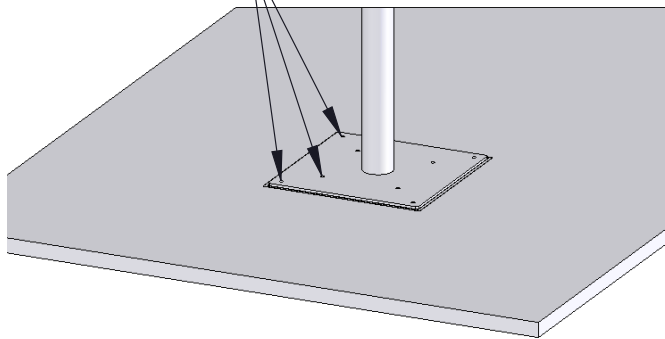
Repeat for any additional base assemblies.



intermix

DEUCE CONFERENCE TABLE assembly instructions

PILOT BORE
8 PLACES
PER BASE



STEP THREE:

Align base assemblies precisely to the inside of chalk marks.

Mark hole locations for all base assemblies and set base assembly to the side when all holes are marked.

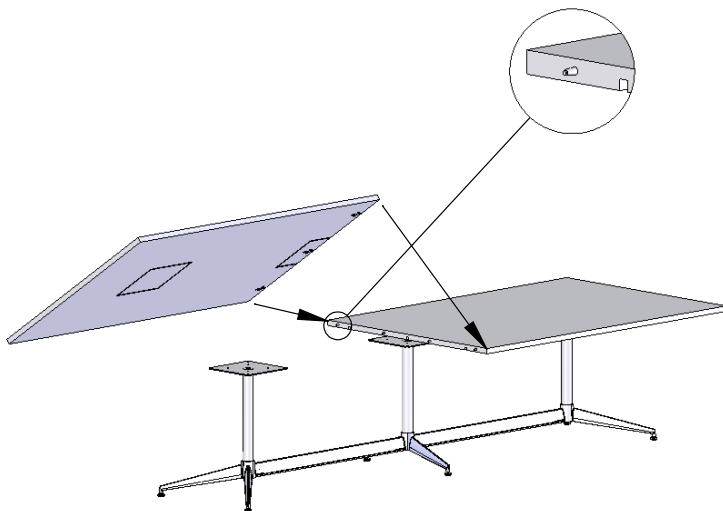
Bore $9/64$ " diameter x $3/4$ " deep pilot holes where marked.

STEP FOUR:

Set base assembly upright where table is to be located.

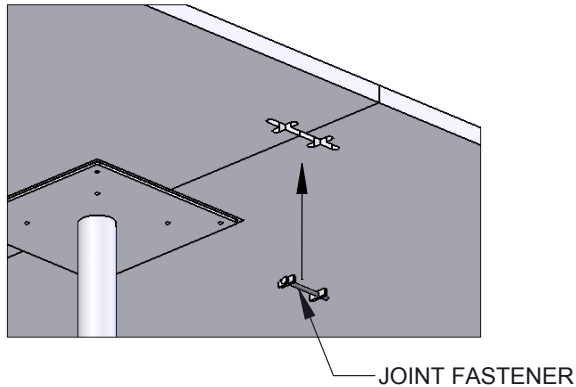
For two piece work surfaces, insert four (4) dowels in holes on connecting edge.

Set both halves of table on base assembly, align dowels with holes on other connecting edge and pull both halves together.



intermix

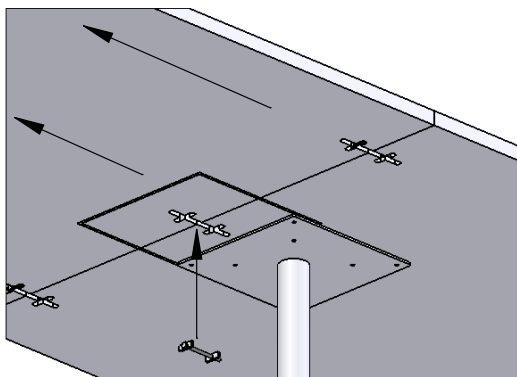
DEUCE CONFERENCE TABLE assembly instructions



STEP FIVE:

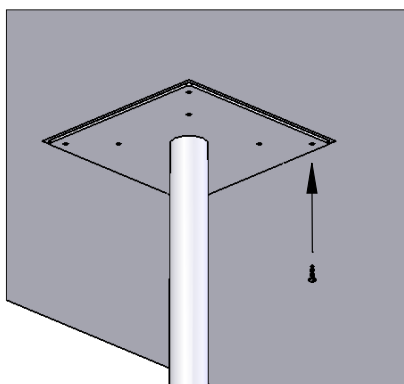
Connect two halves to work surface together by using two (2) joint fasteners in routed-out sections on connecting edges.

Tighten joint fasteners with 7/16" wrench.



STEP SIX:

Access third routed-out section to install third joint fastener by sliding work surface length-wise on base assembly.



STEP SEVEN:

After installing all joint fasteners, slide work surface back to its original position so the holes in the mounting plates are aligned with the pilot holes.

Fasten work surface to mounting plates by using eight (8) #12 x 1" phillips pan head screws per base.