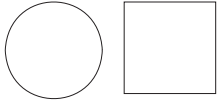


For easy selection of bases we have compiled a quick reference guide of compatible bases with tops.

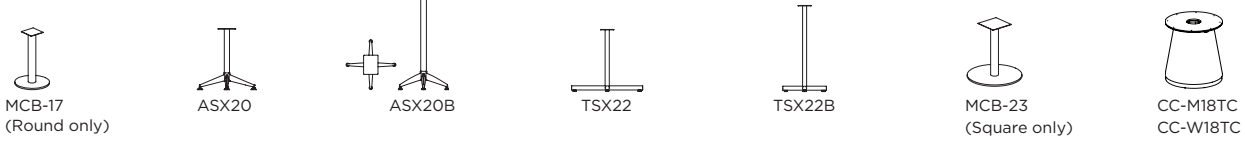
BASE OPTIONS FOR ROUND AND SQUARE TOPS



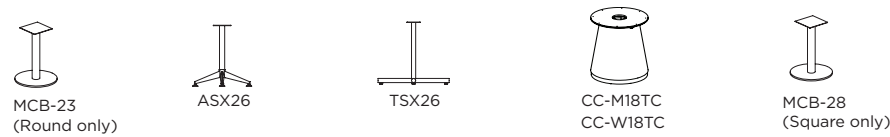
Note: All round and square conference tops require additional weight in the base when using cylinder bases to prevent the table from tipping over. OFS provides instruction sheets and clear 6ml bags with base. Customer must provide dry sand for the additional weight.

Note: All stone types are required to use cylinder or tapered cylinder bases

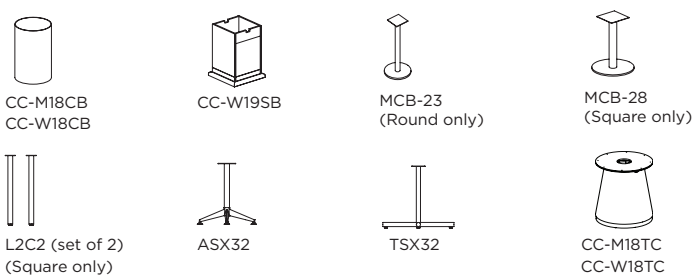
24" tops - require 1 base



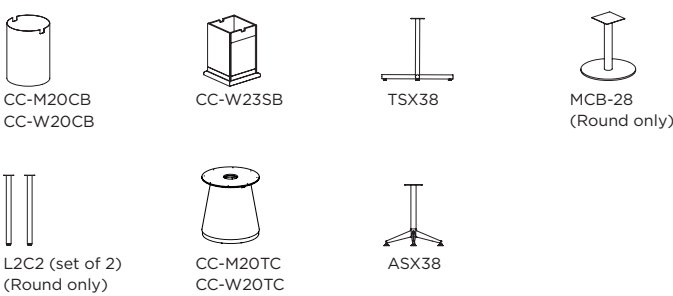
30" tops - require 1 base



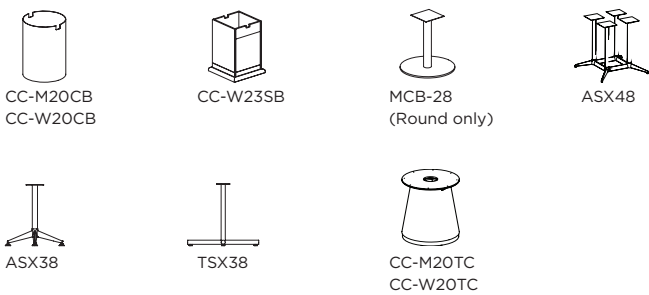
36" tops - require 1 base or 2 sets



42" tops - require 1 base or 2 sets



48" tops - require 1 base or 2 sets

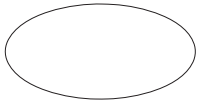


54", 59.5" and 60" tops - require 1 base or 2 sets



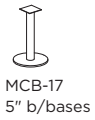
For easy selection of bases we have compiled a quick reference guide of compatible bases with tops.

BASE OPTIONS FOR OVAL TOPS

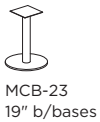


Note: b/base denotes distance between bases

60"W x 30"D tops - require 2 bases or sets (1 base required when ordering ASK4218)



72"W x 36"D tops - require 2 bases or sets (1 base required when ordering ASK4218)

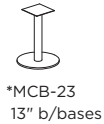
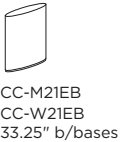
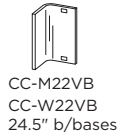


BASE OPTIONS FOR RECTANGULAR AND RACETRACK TOPS

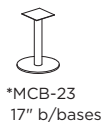
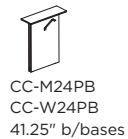


Note: b/base denotes distance between bases

72"W x 36"D tops - require 2 bases or sets (1 base required when ordering ASK4218 and CC-6226LB) *Note: MCB-23 and ASK4218 not available with Glass Top



84"W x 42"D tops - require 2 bases or sets (1 base required when ordering ASK5923 and CC-7426LB) *Note: MCB-23 and ASK5923 not available with Glass Top



For easy selection of bases we have compiled a quick reference guide of compatible bases with tops.

BASE OPTIONS FOR RECTANGULAR, RACETRACK AND BOAT SHAPED TOPS



Note: b/base denotes distance between bases

96"W x 42"D tops - require 2 bases or sets (1 base required when ordering ASK7123, ASK7123B) *Note: MCB-23, ASK7123, and ASK7123B not available with Glass Top



CC-M24HC
CC-W24HC
31.5" b/bases



CC-M25VB
CC-W25VB
29" b/bases



CC-M24PB
CC-W24PB
45" b/bases



CC-M24PBW
CC-W24PBW
45" b/bases



CC-M24TPB
CC-W24TPB
35" b/bases



CC-M24EB
CC-W24EB
41.25" b/bases



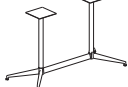
CC-30WTBE
36" b/bases



*MCB-23
21" b/bases



*ASK7123
46" b/bases



*ASK7123B
46" b/bases



CC-32MTB3
44.5" b/bases



CC-32MTB4
45" b/bases



CC-8026LB
18" b/bases



For easy selection of bases we have compiled a quick reference guide of compatible bases with tops.

BASE OPTIONS FOR RECTANGULAR, RACETRACK AND BOAT SHAPED TOPS



Note: b/base denotes distance between bases

120"W x 48"D tops - require 3 bases or sets (1 base required when ordering CC-M8027TPBK, CC-W8027TPBK, or ASK9826)

*Note: MCB-28 and ASK9826 not available with Glass Top



CC-M24HC (2 qty.) +
CC-M24PB or
CC-M24PBW
CC-W24HC (2 qty.) +
CC-W24PB or
CC-W24PBW
26.75" b/bases



CC-M25VB (2 qty.) +
CC-M24PB or
CC-M24PBW
CC-W25VB (2 qty.) +
CC-W24PB or
CC-W24PBW
25.5" b/bases



CC-M24PB
CC-W24PB
33.5" b/bases



CC-M24PBW
CC-W24PBW
33.5" b/bases



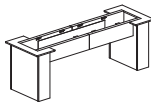
CC-M24TPB
CC-W24TPB
25.5" b/bases



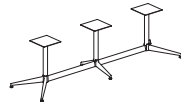
CC-M24EB
CC-W24EB
29.5" b/bases



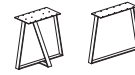
*MCB-28
6" b/bases



CC-M8027TPBK
CC-W8027TPBK



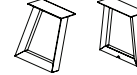
*ASK9826
34" b/bases
62" b/bases



CC-35MTB3 (2 qty.) +
CC-35MTB3C
33" b/bases



CC-35MTB4
33" b/bases



CC-30WTBE (2 qty.) +
CC-30WTBC
25" b/bases

144"W x 48"D tops - require 3 bases or sets (1 base required when ordering CC-M10427TPBK, CC-W10427TPBK, or ASK12226)

*Note: MCB-28, ASX38, TSX38, ASK12226 not available with Glass Top. ASX38 and TSX38 not available with Casters



CC-M24HC (2 qty.) +
CC-M24PB or
CC-M24PBW
CC-W24HC (2 qty.) +
CC-W24PB or
CC-W24PBW
38.75" b/bases



CC-M25VB (2 qty.) +
CC-M24PB or
CC-M24PBW
CC-W25VB (2 qty.) +
CC-W24PB or
CC-W24PBW
37.5" b/bases



CC-M24PB
CC-W24PB
45.75" b/bases



CC-M24PBW
CC-W24PBW
45.75" b/bases



CC-M24TPB
CC-W24TPB
37.5" b/bases



CC-M24EB
CC-W24EB
41.5" b/bases



*MCB-28
18" b/bases



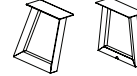
*ASX38
14.5" b/bases



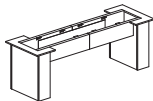
*TSX38
14.5" b/bases



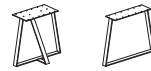
*ASK12226
46" b/bases



CC-30WTBE (2 qty.) +
CC-30WTBC
37" b/bases



CC-M10427TPBK
CC-W10427TPBK
84.5" b/bases



CC-35MTB3 (2 qty.) +
CC-35MTB3C
45" b/bases



CC-35MTB4
45" b/bases



For easy selection of bases we have compiled a quick reference guide of compatible bases with tops.

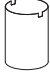
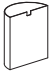

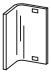
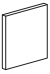
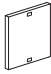








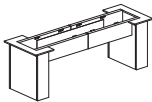
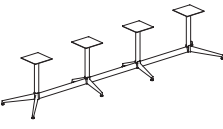
BASE OPTIONS FOR RECTANGULAR, RACETRACK AND BOAT SHAPED TOPS



Note: b/base denotes distance between bases

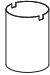
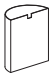

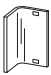

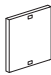
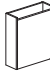







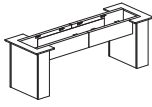
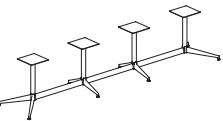
168"W x 48"D tops - require 3 bases or sets (1 base required when ordering CC-M12827TPBK, CC-W12827TPBK or ASK13426)

*Note: MCB-28, ASX38, TSX38, ASK13426 not available with Glass Top. ASX38 and TSX38 not available with Casters

 CC-M20CB CC-W20CB 32.25" b/bases	 CC-M24HC (2 qty.) + CC-M24PB or CC-M24PBW CC-W24HC (2 qty.) + CC-W24PB or CC-W24PBW 50.75" b/bases	 CC-W23SB 29.25" b/bases	 CC-M25VB (2 qty.) + CC-M24PB or CC-M24PBW CC-W25VB (2 qty.) + CC-W24PB or CC-W24PBW	 CC-M24PB CC-W24PB 57.75" b/bases	 CC-M24PBW CC-W24PBW 57.75" b/bases
 CC-M24TPB CC-W24TPB 49.5" b/bases	 CC-M24EB CC-W24EB 53.5" b/bases	 *MCB-28 30" b/bases	 CC-35MTB3 (2 qty.) + CC-35MTB3C	 CC-35MTB4 57" b/bases 57" b/bases	 CC-30WTBE (2 qty.) + CC-30WTBC 49" b/bases
 *ASX38 26.5" b/bases	 *TSX38 26.5" b/bases	 CC-W12827TPBK CC-M12827TPBK	 *ASK13426 34" b/bases 108.5" b/bases		

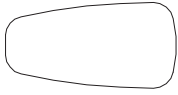
192"W x 48"D tops - require 3 or 4 bases or sets (1 base required when ordering CC-M15227TPBK, CC-W15227TPBK, or ASK17026)

*Note: MCB-28, ASX38, TSX38, ASK17026 not available with Glass Top. ASX38 and TSX38 not available with Casters

 CC-M20CB (3 qty.) CC-W20CB (3 qty.) 44.25" b/bases	 CC-M24HC (2 qty.) + CC-M24PB (2 qty.) or CC-M24PBW (2 qty.) CC-W24HC (2 qty.) + CC-W24PB (2 qty.) or CC-W24PBW (2 qty.) 41.25" b/bases	 CC-W23SB (3 qty.) 37.75" b/bases	 CC-M25VB (2 qty.) + CC-M24PB (2 qty.) or CC-M24PBW (2 qty.) CC-W25VB (2 qty.) + CC-W24PB (2 qty.) or CC-W24PBW (2 qty.) 38.625" b/bases	 CC-M24PB (4 qty.) CC-W24PB (4 qty.) 46" b/bases	 CC-M24PBW (4 qty.) CC-W24PBW (4 qty.) 46" b/bases
 CC-M24TPB (4 qty.) CC-W24TPB (4 qty.) 38.375" b/bases	 CC-M24EB (4 qty.) CC-W24EB (4 qty.) 41.75" b/bases	 *MCB-28 (3 qty.) 42" b/bases	 CC-35MTB3 (2 qty.) + CC-35MTB3C (2 qty.)	 CC-35MTB4 (4 qty.) 45" b/bases 45.188" b/bases	 CC-30WTBE (2 qty.) + CC-30WTBC (2 qty.) 37" b/bases
 *ASX38 (3 qty.) 38.75" b/bases	 *TSX38 (3 qty.) 38.75" b/bases	 CC-M15227TPBK CC-W15227TPBK 132.5" b/bases	 *ASK17026 48" b/bases		

For easy selection of bases we have compiled a quick reference guide of compatible bases with tops.

BASE OPTIONS FOR TAPERED TOPS



Note: b/base denotes distance between bases

72"W x 36"D (28" narrow edge) tops - require 2 bases or sets *Note: MCB-17 and MCB-23 not available with Glass Top



CC-M18HC
CC-W18HC
26" b/bases



CC-M22VB
CC-W22VB
24.5" b/bases



CC-M21PB
CC-W21PB
37.25" b/bases



CC-M21PBW
CC-W21PBW
37.25" b/bases



CC-M21TPB
CC-W21TPB
27" b/bases



CC-M21EB
CC-W21EB
33.25" b/bases



*MCB-17 +
*MCB-23



CC-32MTB3
36.5" b/bases



CC-32MTB4
37" b/bases

84"W x 42"D (28" narrow edge) tops - require 2 bases or sets *Note: MCB-17 and MCB-23 not available with Glass Top



CC-M18HC +
CC-M24HC
CC-W18HC +
CC-W24HC
34" b/bases



CC-M22VB +
CC-M25VB
CC-W22VB +
CC-W25VB
30.75" b/bases



CC-M21PB +
CC-M24PB
CC-W21PB +
CC-W24PB
41.25" b/bases



CC-M21PBW +
CC-M24PBW
CC-W21PBW +
CC-W24PBW
41.25" b/bases



CC-M21TPB +
CC-M24TPB
CC-W21TPB +
CC-W24TPB
31" b/bases



CC-M21EB +
CC-M24EB
CC-W21EB +
CC-W24EB
37.25" b/bases



*MCB-17 + *MCB-23
20" b/bases



CC-32MTB3
40.5" b/bases



CC-32MTB4
41" b/bases

96"W x 48"D (34" narrow edge) tops - require 2 bases or sets *Note: MCB-23 and MCB-28 not available with Glass Top



CC-M18HC +
CC-M24HC
CC-W18HC +
CC-W24HC
38" b/bases



CC-M22VB +
CC-M25VB
CC-W22VB +
CC-W25VB
34.75" b/bases



CC-M21PB +
CC-M24PB
CC-W21PB +
CC-W24PB
42.25" b/bases



CC-M21PBW +
CC-M24PBW
CC-W21PBW +
CC-W24PBW
45.25" b/bases



CC-M21TPB +
CC-M24TPB
CC-W21TPB +
CC-W24TPB
39" b/bases



CC-M21EB +
CC-M24EB
CC-W21EB +
CC-W24EB
41.25" b/bases



*MCB-23 + *MCB-28
24" b/bases



CC-35MTB3 +
CC-32MTB3
44.5" b/bases

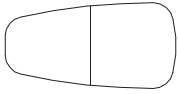


CC-35MTB4 (1 qty.) +
CC-32MTB4 (1 qty.)
45" b/bases



For easy selection of bases we have compiled a quick reference guide of compatible bases with tops.

BASE OPTIONS FOR TAPERED TOPS



Note: b/bases denotes distance between bases

120"W x 48"D (34" narrow edge) tops - require 3 bases or sets (1 base required when ordering CC-M8033TPBK or CC-W8033TPBK)

***Note: MCB-23 and MCB-28 not available with Glass Top**



CC-M18HC + CC-M24HC +
CC-M24PB or CC-M24PBW
CC-W18HC + CC-W24HC +
CC-W24PB or CC-W24PBW
29.5" b/bases



CC-M22VB + CC-M25VB +
CC-M24PB or CC-M24PBW
CC-W22VB + CC-W25VB +
CC-W24PB or CC-W24PBW
25.5" b/bases



CC-M21PB +
CC-M24PB (2
qty.) CC-W21PB +
CC-W24PB (2 qty.)
33.5" b/bases



CC-M21PBW +
CC-M24PBW (2
qty.) CC-W21PBW +
CC-W24PBW (2 qty.)
33.5" b/bases



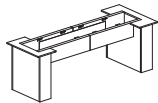
CC-M21TPB +
CC-M24TPB (2
qty.) CC-W21TPB +
CC-W24TPB (2 qty.)
25.5" b/bases



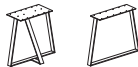
CC-M21EB + CC-M24EB (2 qty.)
CC-W21EB + CC-W24EB (2 qty.)
29.5" b/bases



*MCB-23 (2 qty.) + *MCB-28
11" b/bases MCB-23 (2 qty.)
8.5" b/bases MCB-23 & MCB-28



CC-M8033TPBK
CC-W8033TPBK
60.5" b/bases



CC-35MTB3 + CC-35MTB3C +
CC-32MTB3
33" b/bases



CC-35MTB4 (2 qty.) +
CC-32MTB4 (1 qty.)
33" b/bases

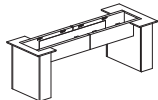
144"W x 60"D (34" narrow edge) tops - require 3 bases or sets (1 base required when ordering CC-M10433TPBK or CC-W10433TPBK)



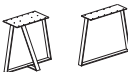
CC-M21TPB + CC-M24TPB +
CC-M30TPB
CC-W21TPB + CC-W24TPB +
CC-W30TPB
37.5" b/bases



CC-M21EB +
CC-M24EB (2 qty.)
CC-W21EB +
CC-W24EB (2 qty.)
9.5" b/bases



CC-M10433TPBK
CC-W10433TPBK
84.5" b/bases



CC-35MTB3 + CC-35MTB3C +
CC-32MTB3
45" b/bases

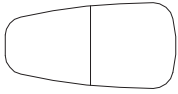


CC-35MTB4 (2 qty.) +
CC-32MTB4 (1 qty.)
45" b/bases



For easy selection of bases we have compiled a quick reference guide of compatible bases with tops.

BASE OPTIONS FOR TAPERED TOPS



Note: b/base denotes distance between bases

168"W x 60"D (34" narrow edge) tops - require 3 bases or sets (1 base required when ordering CC-M12833TPBK or CC-W12833TPBK)



CC-M18CB + CC-M20CB +
CC-M24CB
CC-W18CB + CC-W20CB +
CC-W24CB
34.25" b/bases (1st & 2nd bases)
24.25" b/bases (2nd & 3rd bases)



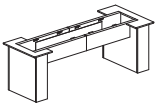
CC-W19SB + CC-W23SB +
CC-W27SB
34" b/bases (1st & 2nd bases)
22" b/bases (2nd & 3rd bases)



CC-M21TPB + CC-M24TPB +
CC-M30TPB
CC-W21TPB + CC-W24TPB +
CC-W30TPB
49.5" b/bases



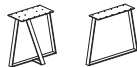
CC-M21EB +
CC-M24EB (2 qty.)
CC-W21EB +
CC-W24EB (2 qty.)
51.5" b/bases



CC-M12833TPBK
CC-W12833TPBK
108.5" b/bases



CC-35MTB4 (2 qty.)
CC-32MTB4 (1 qty.)
57" b/bases



CC-35MTB3 + CC-35MTB3C + CC-32MTB3
57" b/bases

192"W x 60"D (34" narrow edge) tops - require 3 or 4 bases or sets (1 base required when ordering CC-M15233TPBK or CC-W15233TPBK)



CC-M18CB + CC-M20CB +
CC-M24CB
CC-W18CB + CC-W20CB +
CC-W24CB
46.25" b/bases (1st & 2nd bases)
36.25" b/bases (2nd & 3rd bases)



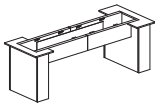
CC-W19SB + CC-W23SB +
CC-W27SB
43.25" b/bases (1st & 2nd bases)
28.75" b/bases (2nd & 3rd bases)



CC-M21TPB +
CC-M24TPB (2 qty.) +
CC-M30TPB
CC-W21TPB +
CC-W24TPB (2 qty.) +
CC-W30TPB
38.375" b/bases



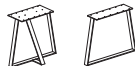
CC-M21EB +
CC-M24EB (3 qty.)
CC-W21EB +
CC-W24EB (3 qty.)
41.75" b/bases



CC-M15233TPBK
CC-W15233TPBK
132.5" b/bases



CC-35MTB4 (3 qty.)
CC-32MTB4 (1 qty.)
45" b/bases



CC-35MTB3 + CC-35MTB3C (2 qty.) + CC-32MTB3
45.188" b/bases